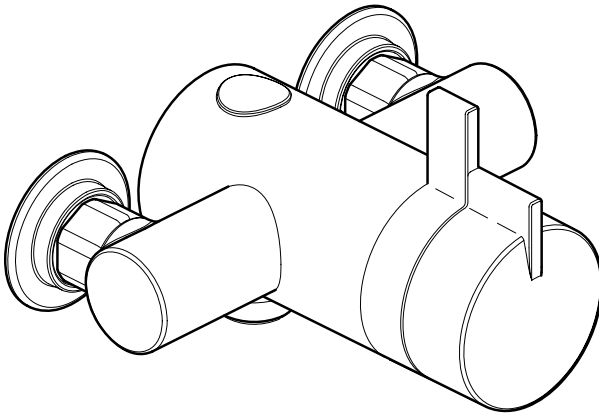
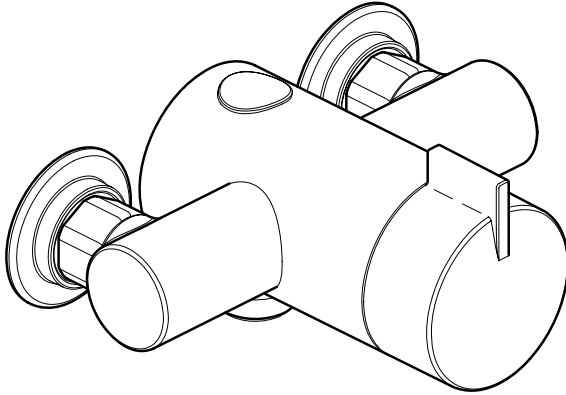


# Mira Moto, Mira Pace<sup>†</sup>, Mira Minilite<sup>†</sup> and Mira Miniduo<sup>†</sup>

(<sup>†</sup>including Eco Models)

## Thermostatic Mixers



These instructions must be left with the user

Installation and User Guide

*Showering perfection*

**mira**  
SHOWERS

## CONTENTS

<b>Introduction</b>	<b>2</b>
Type 2 Valves	2
Guarantee	3
Recommended Usage	3
Patents and Design Registration	3
<b>Safety Warnings</b>	<b>3</b>
<b>Pack Contents</b>	<b>4</b>
Exposed Thermostatic Mixers	4
Built-in Thermostatic Mixers	5
Valve Combinations	6
<b>Specifications</b>	<b>7</b>
<b>Installation</b>	<b>9</b>
Suitable Plumbing Systems	9
General	9
Exposed Thermostatic Mixers	10
Adjustable Elbow Installation	13
<b>Flow Regulators</b>	<b>19</b>
<b>Operation</b>	<b>22</b>
<b>Commissioning</b>	<b>23</b>
Maximum Temperature Setting	23
Fault Diagnosis	24
<b>User Maintenance</b>	<b>24</b>
Filter Replacement	24
Lubricants	25
Cleaning	25
<b>Accessories</b>	<b>25</b>
<b>Spare Parts</b>	<b>26</b>

## INTRODUCTION

Thank you for purchasing a quality Mira product. To enjoy the full potential of your new product, please take time to read this guide thoroughly, having done so, keep it handy for future reference.

The Mira Moto, Mira Minilite and Mira Minilite Eco are thermostatic mixers with a single control lever for on/off and temperature control.

The Mira Pace, Mira Pace with Eco Showerhead, Mira Pace with Adjustable Inlet Elbows, Mira Miniduo and Mira Miniduo with Eco Showerhead are thermostatic mixers with separate on/off and temperature controls.

The thermostatic mixers incorporate a wax capsule temperature sensing unit, which provides an almost immediate response to changes in pressures or temperature of the incoming water supplies to maintain the selected temperature. An adjustable maximum temperature stop is provided which limits the temperature to a safe level. Inlet filters are fitted to protect the thermostatic cartridge.

### Type 2 Valves

These products have been certified as Type 2 valves under the BUILDCERT TMV2 scheme. They also comply with the Water Supply (water fittings) Regulations 1999.

For Type 2 Valves refer to the TMV2 Requirements Manual.

#### Application

The approved designations for Type 2 Valves are as follows:

Models	Designation
Moto, Minilite	LP-S, HP-S, HP-SE#

# the economy designation is achieved with the fitting of the outlet flow regulator.

Models	Designation
Pace, Miniduo	LP-S, HP-S

**Important! The fitting of any flow regulator to Pace or Miniduo models will invalidate TMV2 compliance due to the minimum flow rate requirements. Do not fit flow regulators in TMV2 applications to these models.**

If you experience any difficulty with the installation or operation of your new thermostatic mixer, please refer to 'Fault Diagnosis', before contacting Kohler Mira Ltd. Our contact details can be found on the back cover of this guide.

## Guarantee

For **domestic installations**, Mira Showers guarantee the products listed in this guide against any defect in materials or workmanship for a period of **three** years from the date of purchase (shower fittings for one year).

For **non-domestic installations**, Mira Showers guarantee the products listed in this guide against any defect in materials or workmanship for a period of **one** year from the date of purchase.

For terms and conditions refer to the back cover of this guide.

## Recommended Usage

Application	Valve with Fittings
Domestic	✓
Light Commercial	✓
Heavy Commercial	✗
Healthcare	✗

## Patents and Design Registration

### Patents:

GB: 2 291 693, 2 340 210, 2 392 225,  
2 421 297

Euro: 1 672 257 DE, FR, GB, IT, NL, SE

USA: 7 240 850

### Patent Applications:

Euro: 03254070.0

USA: 2006-0124758-A1, 2007-0221740-A1

### Design Registration:

000793401-0005-00011

## SAFETY WARNINGS

Mira thermostatic mixers are precision engineered and should give continued safe and controlled performance, provided:

1. They are installed, commissioned, operated and maintained in accordance with manufacturer's recommendations.
2. Type 2 Valves are only used for applications covered by their approved designations, refer to the TMV2 Requirements Manual.
3. Periodic attention is given, when necessary, to maintain the product in good functional order.

### Caution!

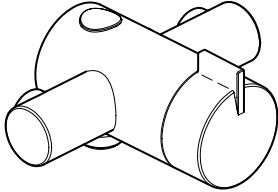
1. Read all of these instructions.
2. Retain this guide for later use.
3. Pass on this guide in the event of change of ownership of the installation site.
4. Follow all warnings, cautions and instructions contained in this guide.
5. Anyone who may have difficulty understanding or operating the controls of any shower should be attended whilst showering. Particular consideration should be given to the young, the elderly, the infirm or anyone inexperienced in the correct operation of the controls.
6. Rapid/Excessive movement of the flow and/or temperature control levers may result in momentary unstable blend temperatures.
7. Care is required when adjusting flow or temperature, make sure that the temperature has stabilised.
8. When this product has reached the end of its serviceable life, it should be disposed of in a safe manner, in accordance with current local authority recycling, or waste disposal policy.

# PACK CONTENTS

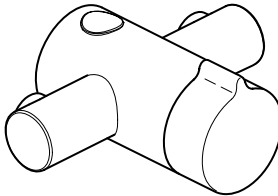
Tick the appropriate boxes to familiarise yourself with the part names and to confirm that all of the parts are included.

## Exposed Thermostatic Mixers

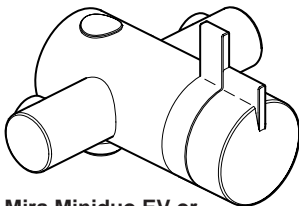
- 1 x Thermostatic Mixing Valve



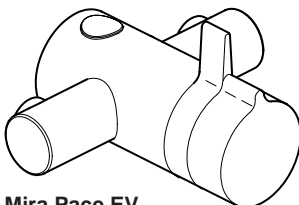
**Mira Minilite EV or  
Mira Minilite Eco EV**



**Mira Moto EV**



**Mira Miniduo EV or  
Mira Miniduo with Adjustable Elbows  
Mira Miniduo with Eco Showerhead EV**

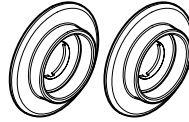


**Mira Pace EV  
Mira Pace with Adjustable Elbows  
Mira Pace with Eco Showerhead EV**

## Documentation

- 1 x Guarantee Registration Document
- 1 x Installation Template
- 1 x TMV2 Requirements Manual

## Component Pack



- 2 x Concealing Plates



- 2 x Compression Nuts



- 2 x Olives



- 2 x Wall Plugs



- 2 x Fixing Screws



- 1 x 2.5 mm Hexagonal Key



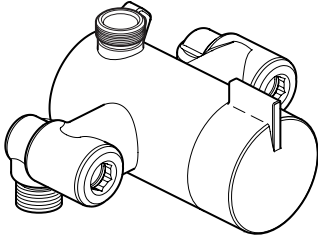
- 1 x Flow Regulator (refer to section: 'Flow Regulators')



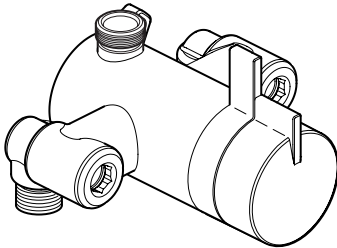
- 1 x 'O' Key

## Built-in Thermostatic Mixers

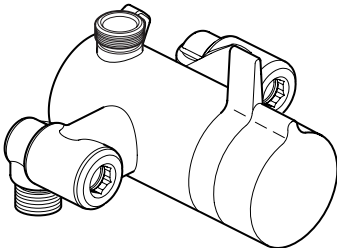
- 1 x Thermostatic Mixing Valve



Mira Minilite BIV or  
Mira Minilite Eco BIV



Mira Miniduo BIV or  
Mira Miniduo with Eco Showerhead BIV or  
Mira Miniduo with Eco Showerhead BIR



Mira Pace BIV

## Documentation

- 1 x Guarantee Registration Document
- 1 x Cardboard Building-in Shroud
- 1 x TMV2 Requirements Manual

## Component Pack



- 3 x Compression Nuts



- 3 x Olives



- 5 x Wall Plugs



- 5 x Fixing Screws



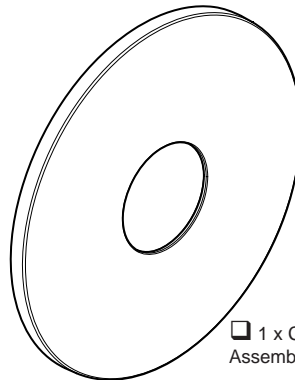
- 1 x 2.5 mm Hexagonal Key



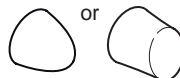
- 1 x Flow Regulator (refer to section: 'Flow Regulators')



- 1 x 'O' Key



- 1 x Concealing Plate Assembly



- 1 x RAC Assembly

## Valve Combinations

These thermostatic mixers are available with various shower fittings and water saving features, refer to the table below to identify your mixer valve combination:

Mixer Valve	Shower Fittings	Flow Regulator		
		Flow Rate	Colour	Comments
Moto EV / Minilite EV	L14A	12 L/Min	Red	Supplied in the component pack, designed to be fitted in the shower valve outlet
Pace EV / Miniduo EV	L98B	12 L/Min	Red	Supplied in the component pack, designed to be fitted in the shower valve outlet
Minilite BIV	L14A	12 L/Min	Natural	Supplied in the component pack, designed to be fitted between the shower hose and RAC assembly
Minilite Eco EV	L14A	6 L/Min	Black	Factory fitted in the shower valve outlet (optional 8 L/Min (white/natural) flow regulator supplied separately in the component pack)
Minilite Eco BIV	L14A	6 L/Min	Black	Factory fitted in the RAC assembly (optional 8 L/Min (white/natural) flow regulator supplied separately in the component pack)
Miniduo BIV	L98B	12 L/Min	Natural	Supplied in the component pack, designed to be fitted between the shower hose and RAC assembly
Pace BIV	L14D			
Pace EV with Adjustable Elbows	L14D	12 L/Min	Red	Supplied in the component pack, designed to be fitted in the shower valve outlet
Pace with Eco Showerhead EV	L98B with Eco Showerhead	7.0 L/Min	Olive Green	Supplied in the component pack, designed to be fitted between the shower hose and shower valve outlet
Miniduo with Eco Showerhead EV	L98B with Eco Showerhead	7.0 L/Min	Olive Green	Supplied in the component pack, designed to be fitted between the shower hose and shower valve outlet
Miniduo with Eco Showerhead BIV	L98B with Eco Showerhead	7.0 L/Min	Olive Green	Supplied in the component pack, designed to be fitted between the shower hose and RAC assembly
Miniduo with Eco Showerhead BIR	Eco BIR Showerhead	7.3 L/Min	Bright Green	Supplied with the Eco BIR shower head, designed to be fitted between the wall plate and inlet nipple

Flow regulators are supplied for installation on high pressure systems (above 0.5 bar).

For gravity fed or other low pressure systems do not fit the flow regulator.

The Mira Minilite Eco has a flow regulator factory fitted in the shower valve outlet or RAC assembly, on older combination boiler systems it may be necessary to replace this 6 L/Min flow regulator with the 8 L/Min flow regulator (supplied), in order to achieve the minimum flow rate required to ignite and run the boiler.

**Important! The fitting of any flow regulator to Pace and Miniduo models will invalidate TMV2 compliance due to the minimum flow rate requirements. Do not fit flow regulators in TMV2 applications to these models.**

For further information on how and where to fit the flow regulator, refer to section: 'Flow Regulators'.

## SPECIFICATIONS

For Type 2 Valves, the supply conditions specified in the TMV2 Requirements Manual take precedence over the operating parameters which follow.

### Pressures

- Max Static Pressure: **10 Bar**.
- Max Maintained Pressure: **5 Bar**.
- Min Maintained Pressure (Gravity System): **0.1 Bar (0.5 Bar** for models with Eco Showerhead). (0.1 bar = 1 Metre head from cold tank base to showerhead outlet).

**Note!** For gravity fed or other low pressure systems (0.5 bar or below) do not fit the outlet flow regulator (where applicable).

- For optimum performance supplies should be nominally equal.

### Temperatures

- Factory Pre-set (Blend) Shower: **41°C**.
- Optimum Thermostatic Control Range: **35°C to 43°C** (achieved with supplies of 15°C cold, 65°C hot and nominally equal pressures).
- Recommended Hot Supply: **60°C to 65°C**  
**Note!** The mixing valve can operate at higher temperatures for short periods without damage, however this could detrimentally affect thermostatic performance. For safety and performance reasons it is recommended that the maximum hot water temperature is limited to 65°C.
- Cold Water Range: up to **25°C**.
- Minimum Recommended Differential between Hot Supply and Outlet Temperature: **12°C**.

### Thermostatic Shut-down

- For safety and comfort the thermostat will shut off the mixing valve **within 2 Seconds** if either supply fails (achieved only if the blend temperature has a minimum differential of 12°C from either supply temperature).

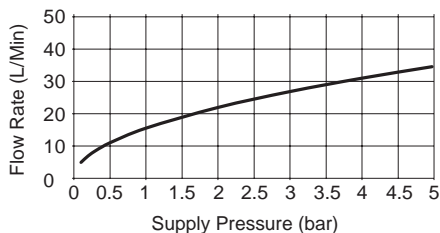
### Connections

- Inlets: 15 mm Compression.
- Outlet: ½" BSP Flat Face / 15 mm Compression
- Standard connections are: **hot - left, cold - right, outlet - bottom (EV models), top (BIV and BIR models)**.

## Flow Rates

Typical Flow Rates

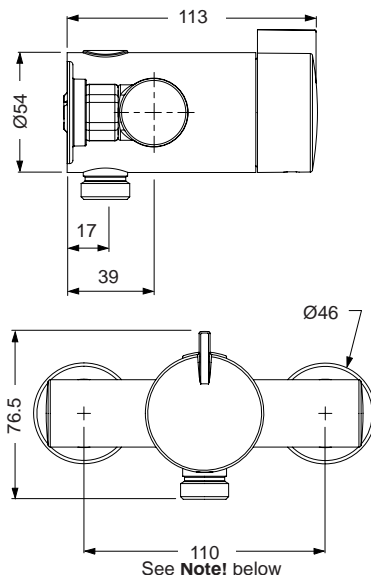
Mira Miniduo with Mira L98B Shower Fittings:



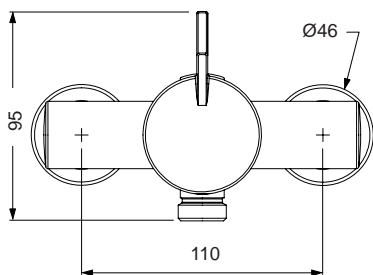
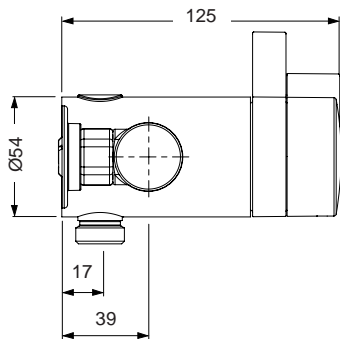
## Dimensions

(All dimension in millimetres)

**Moto, Minilite and Minilite Eco EV**



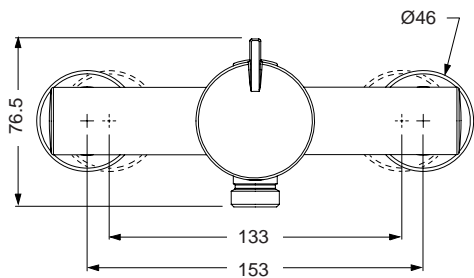
**Pace, Pace with Eco Showerhead, Miniduo and Miniduo with Eco Showerhead EV**



See Note! below

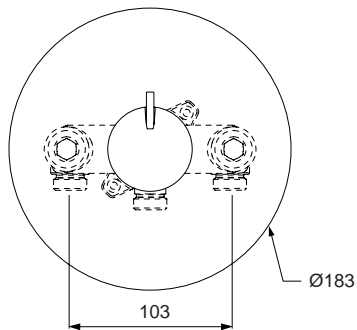
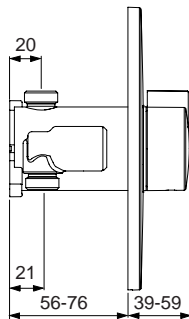
**Note!** If you are retro-fitting your mixing valve onto existing pipework, an **Adjustable Elbow Pack** is available if required, refer to section: 'Accessories'.

**Miniduo and Pace with Adjustable Elbows**

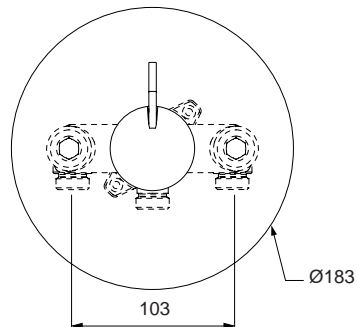
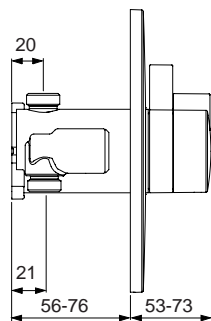


Pipe Centres at extremes of elbow adjustment

**Minilite and Minilite Eco BIV**



**Pace, Miniduo BIV and Miniduo with Eco Showerhead BIV / BIR**





# INSTALLATION

## Suitable Plumbing Systems

### Gravity Fed:

The thermostatic mixer must be fed from a cold water cistern (usually fitted in the loft space) and a hot water cylinder (usually fitted in the airing cupboard) providing nominally equal pressures.

### Mains Pressurised Instantaneous Hot Water System (Combination Boiler):

The thermostatic mixer can be installed with systems of this type with balanced pressures. (Recommended Minimum Maintained Pressure: **1.0 Bar**).

**Note!** On combination boiler systems we recommend that the thermostatic mixer is operated in the maximum flow position in order to achieve the minimum flow rate required to ignite and run the boiler.

### Unvented Mains Pressure System:

The thermostatic mixer can be installed with an unvented, stored hot water system.

### Pumped System:

The thermostatic mixer can be installed with an inlet pump (twin impeller). The pump must be installed in a suitable location and in accordance with its instructions.

## General

Installation must be carried out in accordance with these instructions, and must be conducted by designated, qualified and competent personnel.

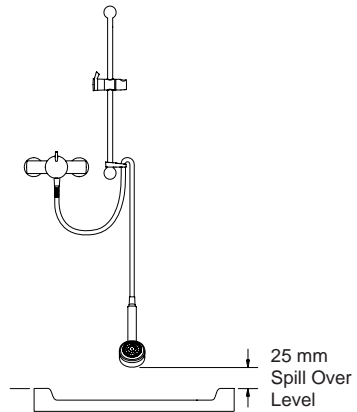
The installation must comply with the "Water Supply Regulations 1999 (Water Fittings)" or any particular regulations and practices, specified by the local water company or water undertakers.

**Note!** Make sure that all site requirements correspond to the information given in section: '**Specifications**'. For Type 2 Valves see also supply conditions in the TMV2 Requirements Manual.

1. The Mixer must not be installed in an area where it may freeze.
2. For stud partitions alternative fixings may be required.

3. Isolating valves **must** be installed close to the Mixer for ease of maintenance.
4. Pipework must be rigidly supported and avoid any strain on the connections.
5. Pipework dead-legs should be kept to a minimum.
6. Decide on a suitable position for the Mixer. The position of the Mixer and the Shower Fittings must provide a minimum gap of 25 mm between the spill-over level of the shower tray/bath and the showerhead (refer to illustration). This is to prevent back-siphonage. For further information on the installation of your **Shower Fittings**, refer to the Fittings Installation and User Guide.

**Note!** Only use Shower Fittings recommended by the manufacturer or supplier.

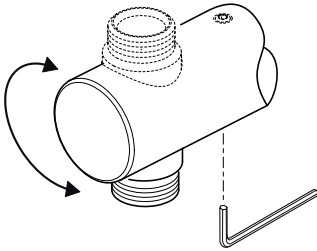


## Exposed Thermostatic Mixers

For **Built-in** Thermostatic Mixers go to section: 'Installation, Built-in Thermostatic Mixers'.

1. The thermostatic mixer can be installed with rear, rising or falling supply inlets. Decide on the most appropriate method for your installation, and if necessary, loosen the grub screws and rotate the inlet elbows to suit.

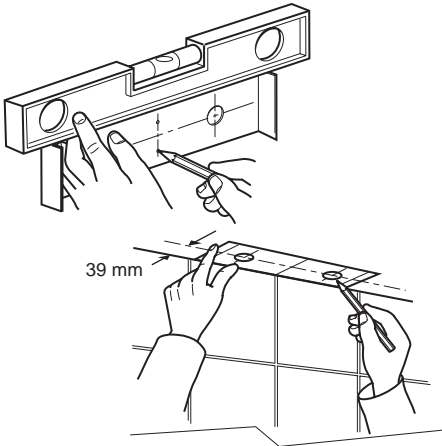
**Important!** Make sure that the elbows are pushed fully onto the mixer before tightening the grub screws, **do not** overtighten.



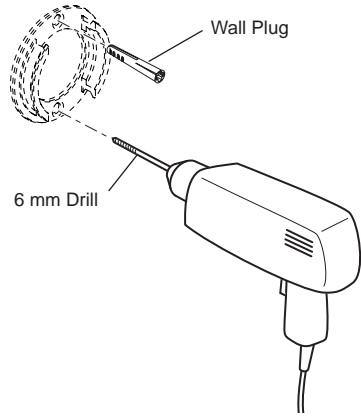
2. Use the installation template to mark the positions of the holes for the backplate and the pipe centres.

For rising or falling supplies the pipe positions should be set 39 mm from the centre of pipe to the finished wall at 110 mm centres.

**Note!** If you are retro-fitting your mixing valve onto existing pipework, an **Adjustable Elbow Pack** is available if required, refer to section: 'Accessories'.



3. For solid walls drill the holes for the backplate with a 6 mm drill and insert the wall plugs (supplied). For other types of wall structure alternative fixings may be required (not supplied).



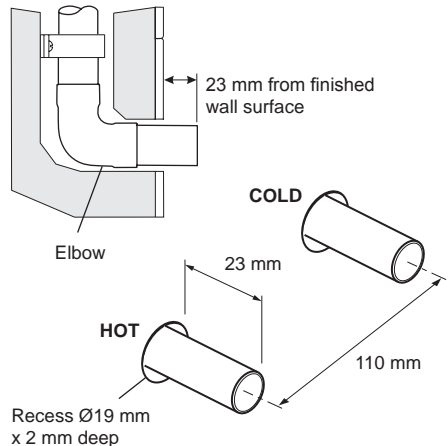
### 4. For Rear Entry Supplies Only:

- a) Drill the holes for the supply pipes at 110 mm centres.

**Note!** Recess the inlet holes  $\text{Ø}19 \text{ mm}$  x 2 mm deep to allow for the concealing plates.

5. Fit the supply pipework: **Hot - Left, Cold - Right**. The inlet pipework should extend 23 mm from the finished wall surface.

**Note!** If it is not possible to install the mixer with this pipework configuration follow instruction 6.



## 6. Reversed Inlet Supplies Only:

- a) Using a suitable tool, carefully remove the plug cap from the centre of sealing plug to reveal keyway.
- b) Remove the sealing plug using the 'O' key (supplied) or a 12 mm hexagonal key.
- c) Unscrew the outlet nipple using the 'O' key (supplied) or a 12 mm hexagonal key.

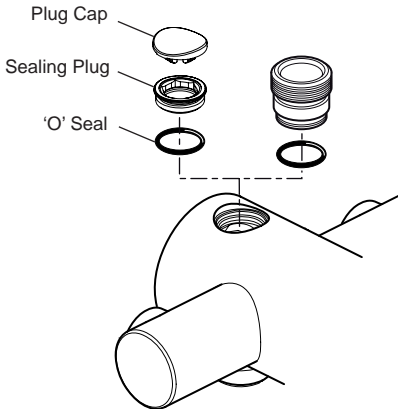
**Note!** On Mira Minilite Eco models carefully remove the flow regulator from the outlet nipple first.

- d) Refit the sealing plug and outlet nipple in the opposite outlets and tighten.

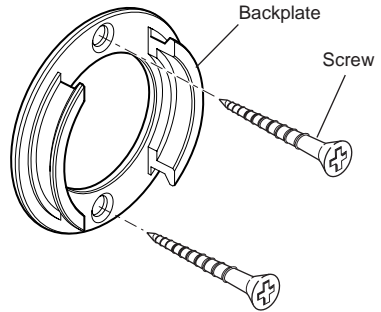
**Note!** Make sure that the 'O' seals are correctly fitted.

**Note!** On Mira Minilite Eco models refit the flow regulator.

- e) Rotate the mixer 180°.
- f) The control knob(s) will have to be realigned, this can be completed in section: '**Commissioning**'.



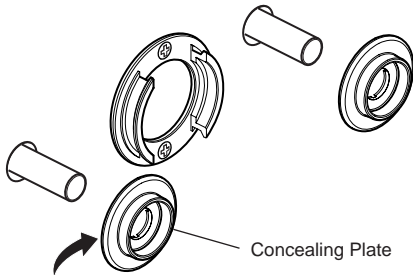
7. Remove the backplate from the mixer by loosening the grub screws with a 2.5 mm hexagonal key (supplied).
8. Secure the backplate to the wall using the screws (supplied).



**9. For Rear Entry Supplies Only:**

- a) Fit the concealing plates over the inlet pipes.

**Note!** Apply silicone sealant to the back face of the flange.



Apply Silicone Sealant

**10. Caution! It is essential at this point that the supply pipework is thoroughly flushed through before connection to the mixer.** Failure to do so may result in product malfunction and will not be covered under the guarantee.

11. Fit the compression nuts and olives onto the pipework.

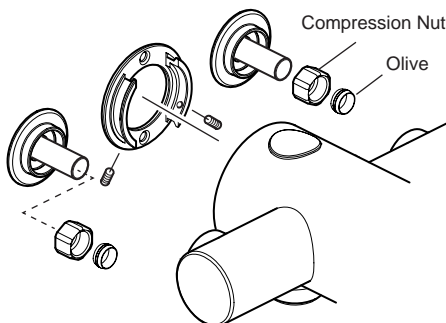
12. Align the mixer with the pipework and fit onto the backplate.

**Important!** Make sure that the hot and cold inlets on the mixer correspond with the hot and cold inlet supplies.

13. Tighten the compression nuts onto the mixer with a suitable wrench.

**Caution!** Take care not to damage the chrome surfaces.

14. Tighten the grubscrews to secure the mixer to the backplate.



15. Fit the shower fittings, refer to your shower fittings installation and user guide for instructions.

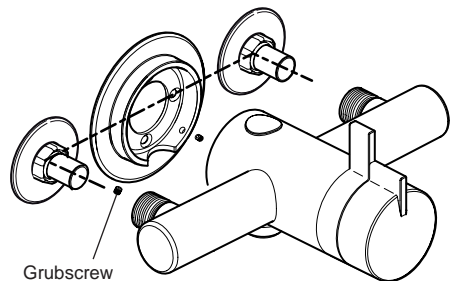
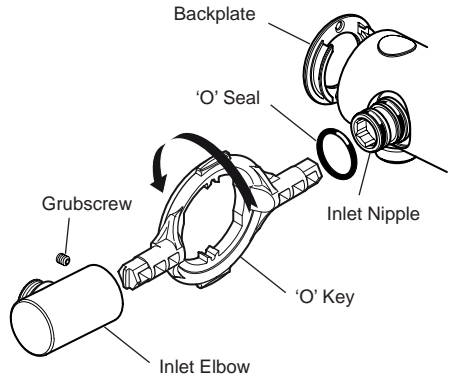
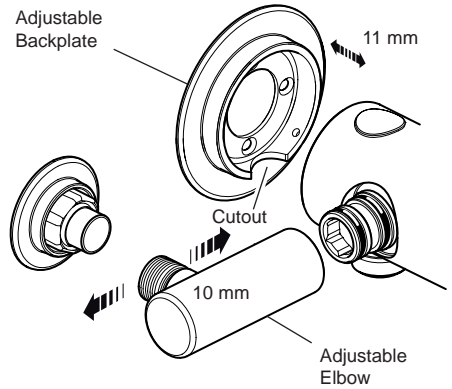
**Important!** For high pressure systems (above 0.5 bar) make sure that the flow regulator (supplied) is fitted, refer to section: '**Flow Regulators**'.

16. Turn on the hot and cold water supplies and check for leaks.

17. Before using the shower, refer to section: '**Commissioning**'.

## Adjustable Elbow Installation

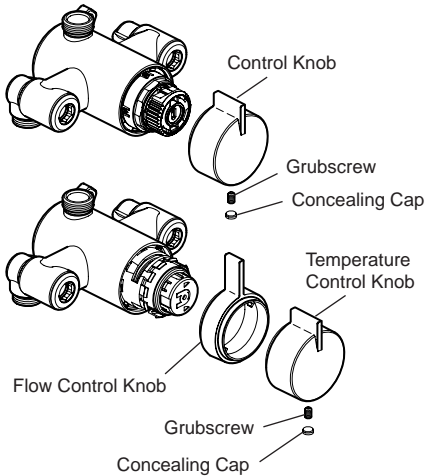
1. Unscrew the elbow grubscrews on the thermostatic mixer with a 2.5 mm hexagonal key (supplied with the thermostatic mixer), pull off the inlet elbows and discard.
2. Using the 'O' key (supplied with the thermostatic mixer) or a 12 mm hexagonal key, unscrew the inlet nipples and discard.
3. Fit the new adjustable elbow inlet nipples and tighten with the 'O' key.
4. Make sure that the 'O' seal is fitted and push the new elbow fully onto the inlet nipple. Tighten the grubscrew with a 2.5 mm hexagonal key.
5. Remove the backplate from the mixer by removing the grubscrew with a 2.5 mm hexagonal key.
6. Draw a centre line between the inlet pipework and, using the adjustable backplate as a template, mark the position of the adjustable backplate fixing holes.
7. For solid walls drill the holes for the backplate with a 6 mm drill and insert the wall plugs (supplied). For other types of wall structure alternative fixings may be required (not supplied).
8. Secure the backplate to the wall using the screws (supplied).
9. Align the mixer with the pipework and fit onto the backplate.  
**Note!** Make sure that the pipes are pushed fully into the inlet connectors.
10. Tighten the compression nuts onto the mixer with a suitable wrench.  
**Caution!** Take care not to damage the chrome surfaces.
11. Tighten the adjustable backplate grubscrews with a 2 mm hexagonal key (supplied) to secure the mixer to the backplate.



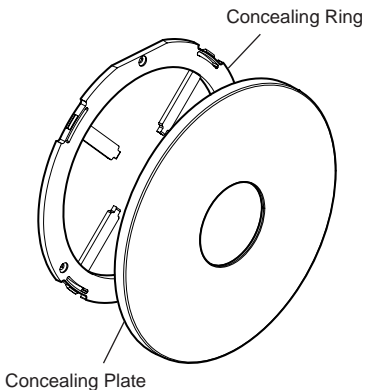
## Built-in Thermostatic Mixers

1. Carefully remove the concealing cap from the control knob.
2. Unscrew the grub screw using a 2.5 mm hexagonal key (supplied) and pull off the control knob(s).

**Note!** The flow control knob must be in the off position in order to remove it.

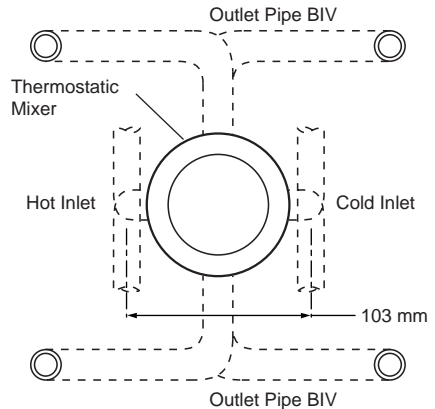


3. Carefully remove the concealing ring from the concealing plate.



4. Determine the route for the hot and cold supply pipework and for the outlet pipework. When connecting to the BIV shower fittings it is recommended that the outlet be positioned to one side of the mixer. This is to prevent the flexible hose from obstructing the shower controls (refer to illustration).

Alternative Pipe layouts



5. Mark the routes for the hot and cold supply pipework at 103 mm centres (**Hot - Left, Cold - Right**).

**Note!** If it is not possible to install the mixer with this pipework configuration follow instruction 6.

**Falling Supplies:** For falling supplies loosen the grub screw on each elbow using the 2.5 mm hexagonal key (supplied). Remove the elbows and install on opposite sides.

**Important!** Make sure that the elbows are pushed fully onto the mixer before tightening the grub screws, **do not** overtighten.

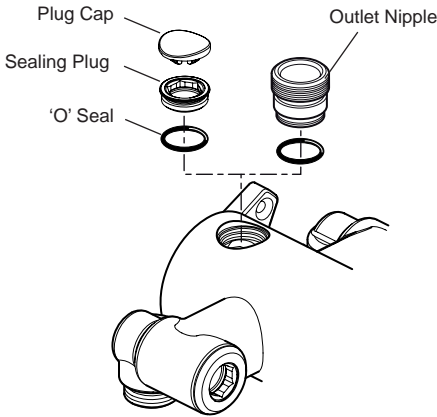
## 6. Reversed Inlet Supplies Only:

- Remove the sealing plug using the 'O' key (supplied) or a 12 mm hexagonal key.
- Remove the outlet nipple using the 'O' key (supplied) or a 12 mm hexagonal key.
- Refit the sealing plug and outlet nipple in the opposite outlets and tighten.  
**Note!** Make sure that the 'O' seals are correctly fitted.
- Rotate the mixer 180°.
- If necessary, use the 2.5 mm hexagonal key (supplied) to loosen the grubscrew in each elbow.

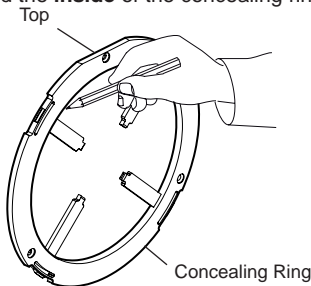
**Note!** It is important to retract the grubscrews sufficiently to clear the 'O' seals and the inlet flange to avoid causing damage to the seals.

- Remove the elbows and install on opposite sides. Make sure that the elbows are pushed fully onto the inlet stubs then retighten the grubscrews using the 2.5 mm hexagonal key.

**Caution!** Do not overtighten.

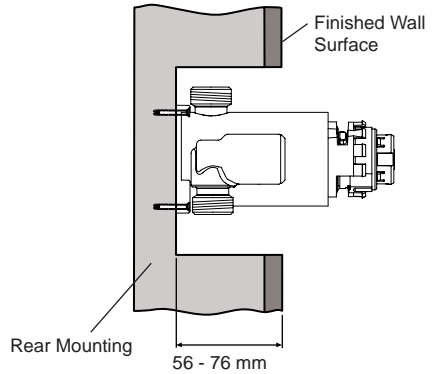


- Determine the position of the mixer and draw around the **inside** of the concealing ring.

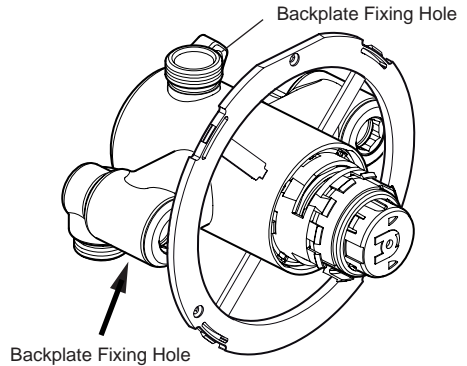


- Carefully cut away the plasterboard and/or brick work to a depth of between 56 and 76 mm from the **finished wall surface**.

**Important!** Take care to stay within the marked out diameter otherwise the concealing ring will not seal.



- Fit the concealing ring over the mixer body, then, holding the mixer level, central and square in the hole, mark the positions of the two backplate fixing holes on the wall.



- For solid walls drill two 6 mm holes for the wall plugs. For other types of wall structure alternative fixings may be required (not supplied).

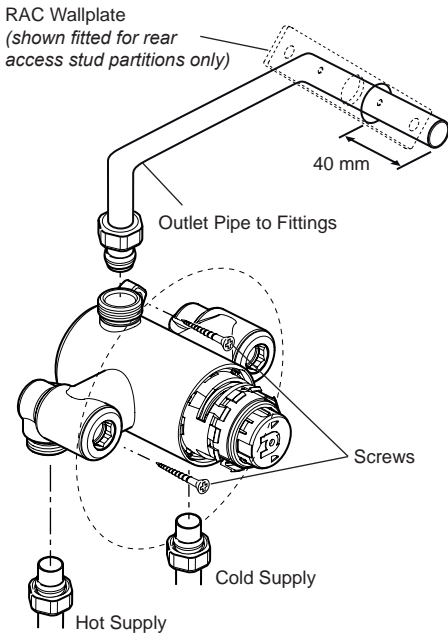
- Caution!** It is essential at this point that the supply pipework is thoroughly flushed through before connection to the mixer. Failure to do so may result in product malfunction and will not be covered under the guarantee.

12. Insert the wall plugs (supplied) and attach the mixer to the wall or to the timber noggin with the screws provided.
13. Fit the compression nuts and olives onto the pipework, connect the pipes and tighten the compression nuts.

**Important!** Make sure that the outlet pipework protrudes through a  $\text{\O}25$  mm hole in the wall or stud partition by approximately 40 mm and temporarily cap off.

**Note!** For stud partition installations where access to the rear of the partition is possible, fit the RAC wallplate over the outlet pipework on the inside of the partition.

For stud partition installations where access to the rear of the wall is not possible, follow instructions for solid wall installations, making sure that suitable wall fixings (not supplied) are used to secure the wallplate to the outside of the stud partition.



14. Turn on the water supplies and check for leaks.
15. Determine the finished wall position (e.g. tile thickness). Turn off the water supply, carefully uncap the outlet pipe and cut to length, the outlet pipe must protrude through the **finished wall surface** by 21–23 mm.

**Note!** Remove any burrs from the pipes before proceeding.

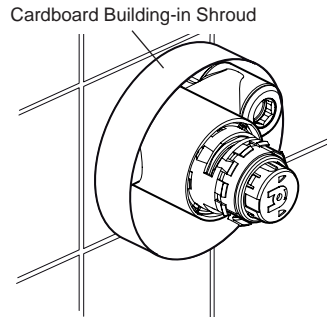
16. For solid wall installations or stud partition installations **without** rear access go to instruction 21.

For stud partition installations with access to the rear of the partition continue with instruction 17.

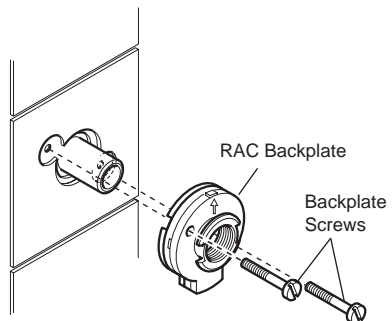
17. Finish the wall (e.g. tiles).

**Important!** Make sure that you use the cardboard building-in shroud when finishing the wall. This will protect the valve and make sure that you tile up to the correct diameter.

**Caution!** Make sure that the finished wall is within the maximum and minimum limits and to an even depth (no greater than 2 mm variation) or the controls will not fit correctly.

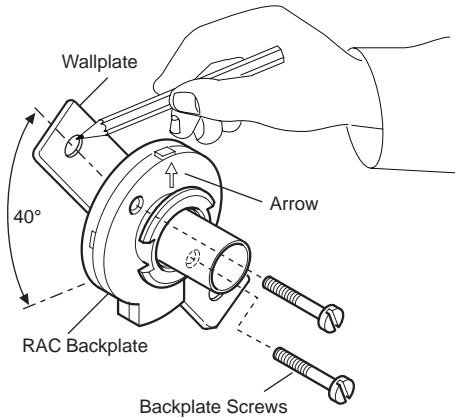


18. Place the RAC backplate over the outlet pipe with the arrow pointing up. The screw holes should be at  $45^\circ$  to the horizontal.
  19. Mark the positions of the two RAC backplate fixing holes and drill the two 5.5 mm holes.
- Caution!** Make sure that you do not drill into pipework in the wall.
20. Hold the RAC wallplate in position on the rear of the partition, insert the two backplate screws and secure the RAC backplate to the wallplate. Make sure that the foam seal abuts the finished wall surface. Go to instruction 30.





21. Loosely attach the RAC backplate to the RAC wallplate, using the two backplate screws provided.
22. Place the RAC backplate/wallplate assembly over the outlet pipe with the arrow pointing vertically up. The screw holes should be at 40° to the horizontal.
23. Mark the positions of the two RAC wallplate fixing holes.



24. Remove the assembly from the wall and separate the backplate from the wallplate.
25. For solid walls drill two 6 mm holes for the wall plugs. For other types of wall structure alternative fixings may be required (not supplied). If necessary, make a recess 6 mm deep to accept the wallplate for flush fitting of the outlet to the wall surface.

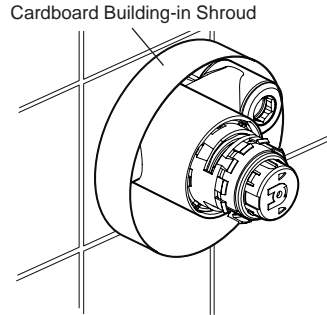
**Caution!** Make sure that you do not drill into pipework in the wall.

26. Fit the two wall plugs supplied and secure the wallplate to the wall with the two wallplate screws.
27. Make sure that there is clearance behind the wallplate and temporarily fit the two backplate screws into the wallplate. This will prevent the fixing holes from becoming blocked with plaster or grout.

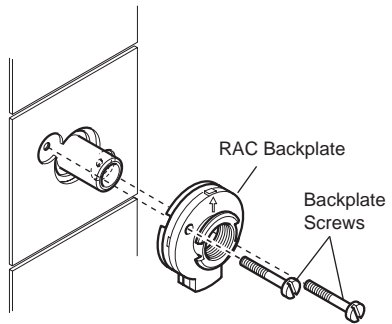
28. Finish the wall, e.g. tiles. then remove the two backplate screws.

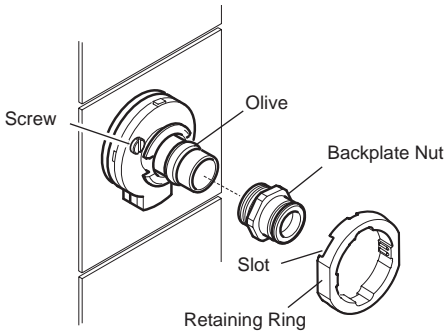
**Important!** Make sure that you use the cardboard building-in shroud when finishing the wall. This will protect the valve and make sure that you tile up to the correct diameter.

**Caution!** Make sure that the finished wall is within the maximum and minimum limits and to an even depth (no greater than 2 mm variation) or the controls will not fit correctly.

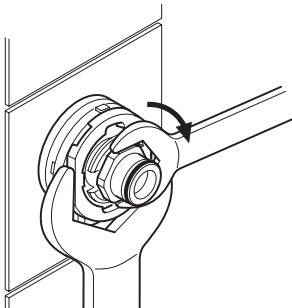


29. Place the backplate over the outlet pipe with the arrow pointing vertically up and tighten the two backplate screws. Make sure that the foam seal abuts the finished wall surface.

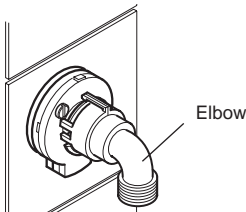




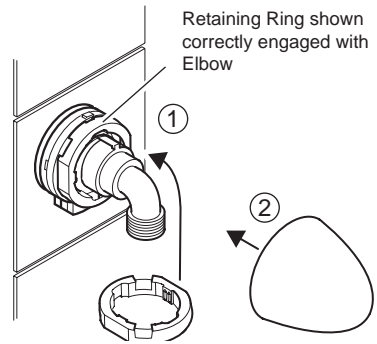
30. Check that the blue 'O' seal is fitted inside the backplate nut. Fit the olive and the backplate nut over the outlet pipe and loosely tighten the nut.
31. To prevent the backplate from turning while tightening the nut, fit the retaining ring over the backplate nut making sure the slots engage with the screws on the backplate, hold the retaining ring with a wrench while tightening after use.



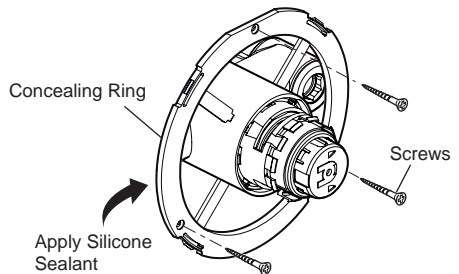
32. Check that the second 'O' seal (black) is fitted to the outside of the backplate nut. Press the elbow onto the backplate, make sure that the clips on the elbow engage with the backplate.



33. Slide the retaining ring over the elbow and engage with the elbow clips. **Note!** The retaining ring must be engaged correctly to lock the elbow to the backplate, rotate the retaining ring to the position illustrated.



34. Press the shroud over the elbow, make sure that it engages with the lugs on the backplate.
35. Fit the concealing ring over the mixer and mark the positions of the three fixing holes.
36. For solid walls drill three 6 mm holes for the wall plugs. For other types of wall structure alternative fixings may be required (not supplied).  
**Caution!** Make sure that you do not drill into pipework in the wall.



37. Insert the wall plugs (supplied) and attach the concealing ring to the wall with the screws provided.  
**Important!** Apply silicone sealant to the groove on the rear face of the concealing ring.
38. Fit the concealing plate to the concealing ring.
39. Refit the control knobs.
40. Fit the shower fittings, refer to your shower fittings installation and user guide for instructions.  
**Important!** For high pressure systems (above 0.5 bar) make sure that the flow regulator (supplied) is fitted, refer to section: '**Flow Regulators**'.
41. Turn on the hot and cold water supplies and check for leaks.
42. Before using the shower, refer to section: '**Commissioning**'.

# FLOW REGULATORS

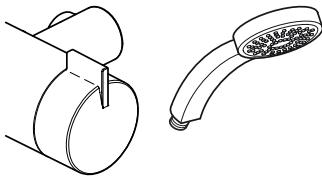
These thermostatic mixers are available with various shower fittings and water saving features, therefore the position and type of flow regulator will vary by model, the flow regulators should be fitted in High Pressure (above 0.5 bar) systems to either;

1. Reduce Excessive Force & Flow Rate
2. Reduce Noise through the mixer due to high or unequal pressures
3. Stabilise incoming supply temperatures

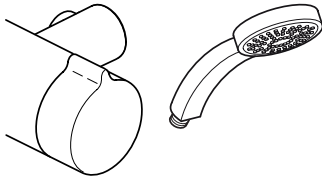
Identify your model and install the flow regulator as illustrated (where appropriate). For gravity fed or other low pressure systems do not fit the flow regulator.

**Important! The fitting of any flow regulator to Pace and Miniduo models will invalidate TMV2 compliance due to the minimum flow rate requirements. Do not fit flow regulators in TMV2 applications to these models.**

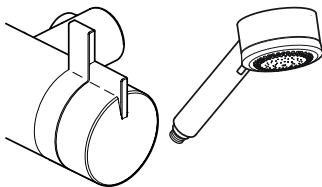
## Mira Minilite EV, Mira Minilite Eco EV



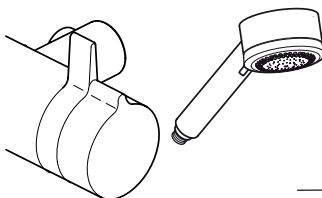
## Mira Moto EV



## Mira Miniduo EV

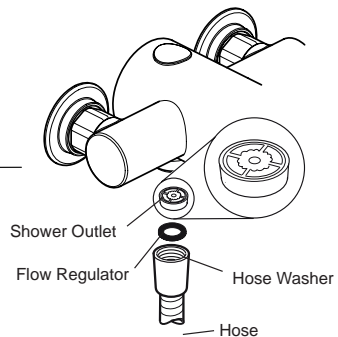


## Mira Pace EV, Mira Pace EV with Adjustable Elbows



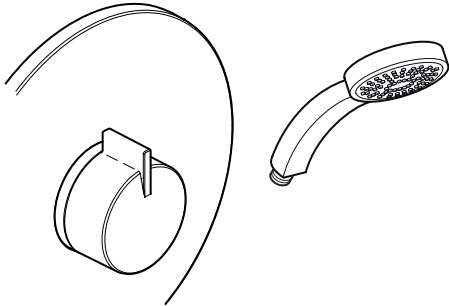
**Note!** A 12 L/Min flow regulator (red) is supplied separately in the component pack, designed to be fitted in the shower valve outlet.

On Mira Minilite Eco EV models only, a 6 L/Min flow regulator (black) is factory fitted in the shower valve outlet, on older combination boiler systems it may be necessary to replace this flow regulator with the 8 L/Min flow regulator (white/natural), in order to achieve the minimum flow rate required to ignite and run the boiler.



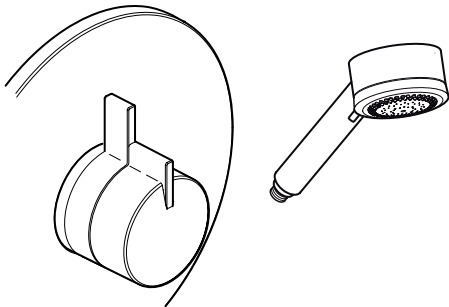
**Mira Minilite BIV**

A 12 L/Min flow regulator (natural) is supplied separately in the component pack, designed to be fitted between the shower hose and RAC assembly.



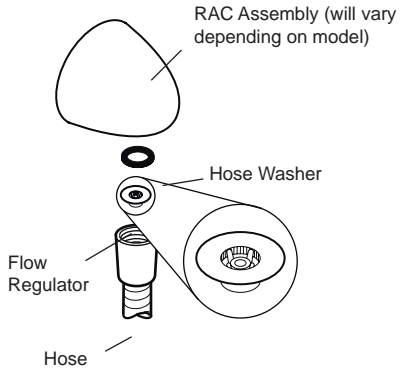
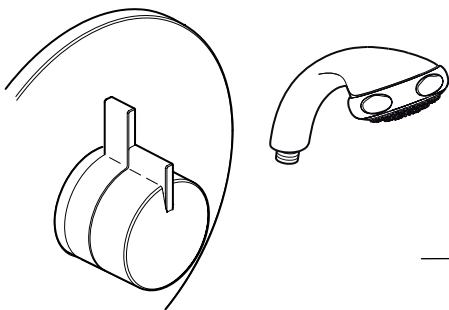
**Mira Miniduo BIV, Pace BIV**

A 12 L/Min flow regulator (natural) is supplied separately in the component pack, designed to be fitted between the shower hose and RAC assembly.



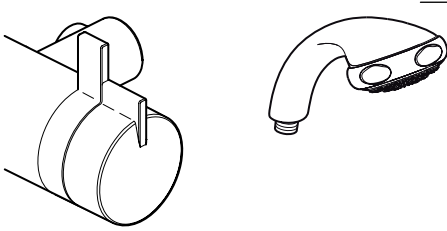
**Mira Miniduo with Eco Showerhead BIV**

A 7.0 L/Min flow regulator (olive green) is supplied separately in the component pack, designed to be fitted between the shower hose and RAC assembly.



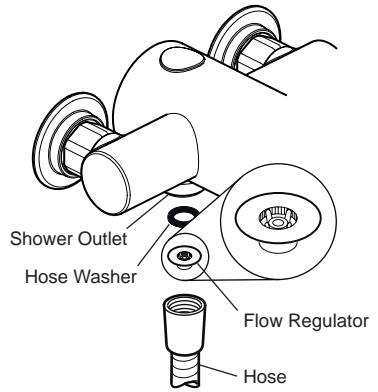
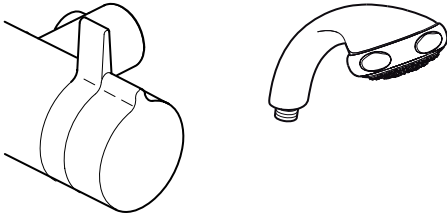
### Mira Miniduo with Eco Showerhead EV

A 7.0 L/Min flow regulator (olive green) is supplied separately in the component pack, designed to be fitted between the shower hose and shower valve outlet.



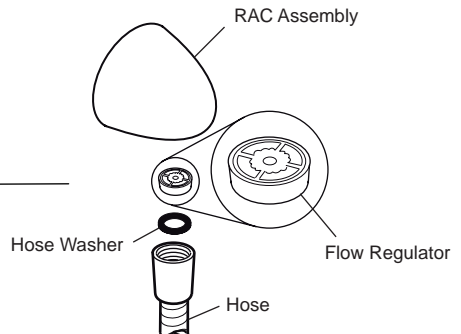
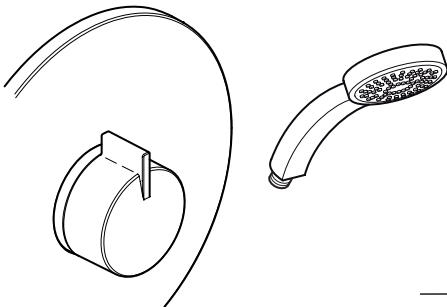
### Mira Pace with Eco Showerhead EV

A 7.0 L/Min flow regulator (olive green) is supplied separately in the component pack, designed to be fitted between the shower hose and shower valve outlet.



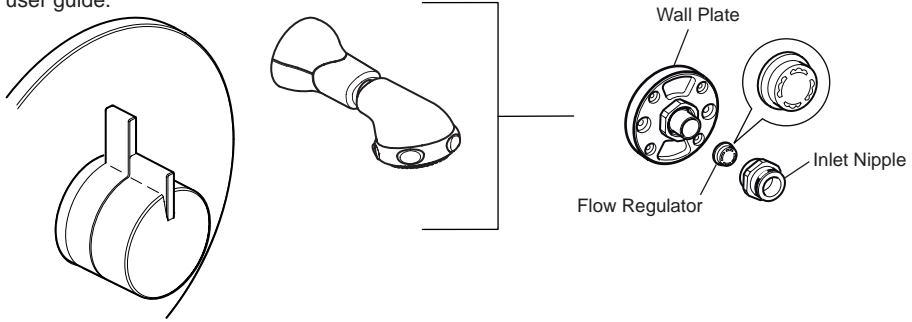
### Mira Minilite Eco BIV

A 6 L/Min flow regulator (black) is factory fitted in the RAC assembly, on older combination boiler systems it may be necessary to replace this flow regulator with the 8 L/Min flow regulator (white/natural), in order to achieve the minimum flow rate required to ignite and run the boiler.



### Mira Miniduo with Eco Showerhead BIR

A 7.3 L/Min flow regulator (bright green) is supplied with the BIR showerhead, designed to be fitted between the wall plate and inlet nipple. Refer to your shower fittings installation and user guide.



## OPERATION

**Mira Moto, Mira Minilite and Mira Minilite Eco** thermostatic mixers have a single sequential control lever for on/off and temperature control.

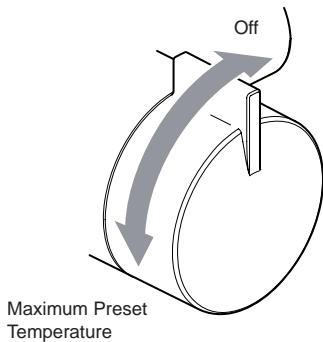
The control lever operates anti-clockwise in the following sequence:

- Off
- On
- Cold
- Warm
- Maximum Preset Temperature

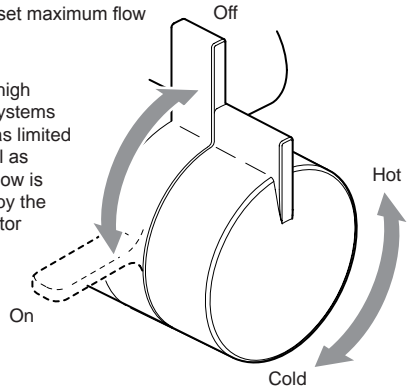
**Mira Pace, Mira Pace with Eco Showerhead, Mira Miniduo and Mira Miniduo with Eco Showerhead** thermostatic mixers have separate control levers for on/off and temperature.

The control levers operate as shown below:

Turn the Flow Lever anticlockwise to the preset maximum flow



**Note!** For high pressure systems the user has limited flow control as the outlet flow is controlled by the flow regulator



Turn the Temperature Control Handle clockwise to decrease the temperature and anticlockwise to the preset maximum temperature

# COMMISSIONING

## Maximum Temperature Setting

Before using the shower the maximum temperature must be checked to make sure that it is at a safe level. It has been preset to approximately 41°C at the factory but due to variations in site conditions the maximum temperature may need adjustment.

**Note!** Make sure that the hot water temperature is at least 55°C and that there is sufficient supply. For Type 2 installations the maximum blend temperature is determined by the application, refer to the TMV2 Requirements Manual.

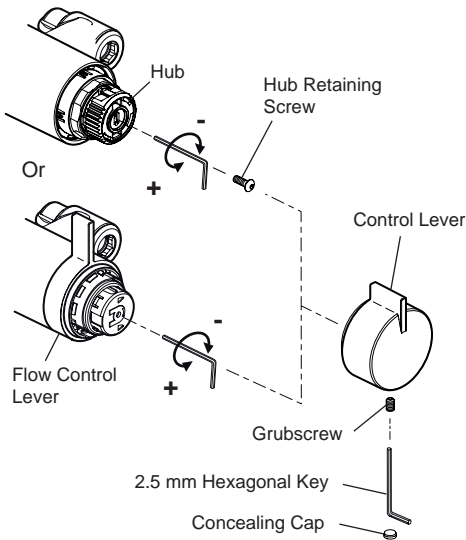
1. Turn on the mixer to the maximum temperature and maximum flow (i.e. fully anticlockwise) and allow the temperature to stabilise.

If the temperature is too hot or too cold adjust as follows:

2. Carefully remove the concealing cap from the control knob.
3. Loosen the control lever grubscrew with the 2.5 mm hexagonal key (supplied) and pull off the control lever.
4. If applicable unscrew the hub retaining screw with a 2.5 mm hexagonal key.

**Note!** Do not remove the hub.

5. Insert the 2.5 mm hexagonal key into the centre of the spindle and engage with the recessed temperature adjusting screw.
  6. Rotate the hexagonal key until the required maximum temperature is obtained at the shower. Anticlockwise to increase the temperature, or clockwise to decrease the temperature ( $\frac{1}{4}$  turn = approximately 1°C).
  7. Once the desired maximum blend temperature has been achieved turn off the mixer by rotating either the hub or flow control lever (depending on model) fully clockwise.
- Note!** Do not remove the hub.
8. If applicable refit the hub retaining screw.
  9. Refit the control lever with the lever at the top and retighten the grubscrew.
  10. Check that the shower temperature is correct.



## FAULT DIAGNOSIS

### Symptom:

- Only hot or cold water from the mixer outlet.
- Outlet temperature too hot / too cold.

### Cause Rectification:

- Inlets reversed (hot supply to cold supply). Refer to section: '**Reversed Inlet Supplies**'.
- No hot water reaching mixer.
- Check the filters for any blockage refer to section '**User Maintenance**'.
- Installation conditions outside operating parameters, refer to sections: '**Specifications**' and '**Commissioning**'.
- If the temperature is too cold and you have a combination type boiler it may not be producing sufficiently hot water at desired flow rate (refer to '**Specifications**'). Fit flow regulator (supplied) to shower valve outlet. For more information contact Mira Showers or visit the website.

### Symptom:

- Fluctuating or reduced flow rate.

### Cause Rectification:

- Check the showerhead, hose and filters for any blockage.
- Make sure that the maintained inlet pressures are nominally balanced and sufficient, refer to section: '**Specifications**'.
- Make sure that the inlet temperature differentials are sufficient, refer to section: '**Specifications**'.
- Air lock or partial blockage in the pipework.
- Flow regulator fitted incorrectly.
- Low flow causing combination boiler to cycle. Operate at preset maximum flow.
- Mira Minilite Eco models only - flow regulator causing combination boiler to cycle. Replace 6 L/Min flow regulator (fitted) with 8 L/Min flow regulator (supplied).

### Symptom:

- Water leaking from the showerhead.

### Cause Rectification:

- Normal for a short period after shut off.
- Check that the pressures are not in excess of the specifications for the product.
- Renew the thermostatic cartridge.

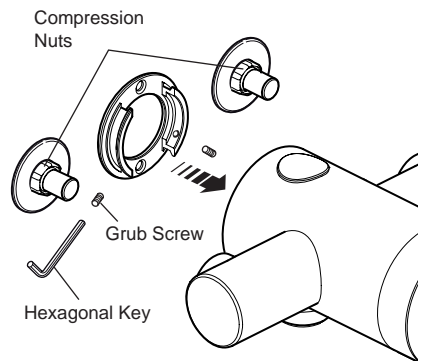
## USER MAINTENANCE

If you require a Mira trained service engineer or agent, refer to section: '**Customer Services**'.

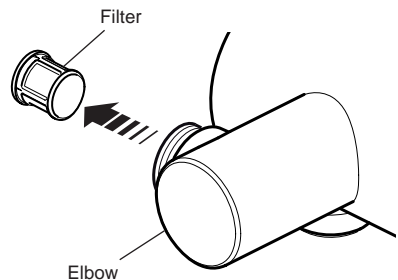
### Filter Replacement

#### Exposed Models

1. Isolate the water supplies.
2. Turn on the flow control knob to relieve water pressure and to drain any residual water.
3. Unscrew the shower hose or rigid riser from the mixer outlet.
4. Using a suitably sized wrench loosen both compression nuts.
5. Using a 2.5 mm hexagonal key (supplied) unscrew the grub screws securing the mixer to the backplate.



6. Remove the mixer.
7. The filters are retained in the elbow inlet, remove them and inspect for debris blockage. Clean each of the filters under a jet of water to remove any lodged particles.

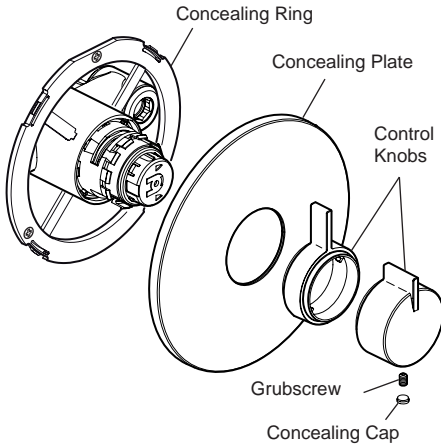




8. Refit or replace the filters and reassemble in reverse order.
9. Restore the water supplies and check for leaks.

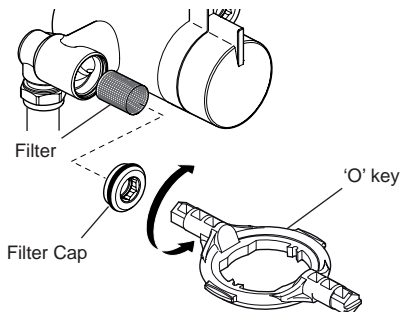
### Built in Models

1. Isolate the hot and cold water supplies.
2. Turn on the flow control knob to relieve water pressure and to drain any residual water.
3. Return the flow control knob to the off position and carefully remove the concealing cap.



4. Unscrew the grubscrew using a 2.5 mm hexagonal key (supplied) and pull off the control knob(s).
5. Carefully unclip and remove the concealing plate from the backplate.  
**Note!** Use a screwdriver in the cutout to assist separation.
6. Unscrew the filter caps with the 'O' key (supplied) or a 12 mm hexagonal wrench and remove the filters.

**Note!** Use pliers to assist if necessary.



7. Clean each of the filters under a jet of water to remove any lodged particles.
8. Refit or replace the filters and tighten the filter caps.  
**Note!** Make sure that the seal is fitted correctly and not damaged.
9. Turn on the hot and cold water supplies and check for leaks.
10. Reassemble all other parts in reverse order.

### Lubricants

Silicone based lubricants must only be used on the rubber seals.

**Caution!** Oil based or other lubricant types may cause rapid deterioration of seals.

### Cleaning

The chrome plated parts should be cleaned using a mild washing up detergent or soap solution, rinsed and then wiped dry with a soft cloth.

**Warning!** Many household cleaners contain abrasive and chemical substances, and should not be used for cleaning plated or plastic fittings.

**Do not** use descalents on this product.

### In-service Tests

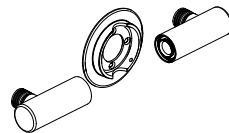
The principal means for determining the continuing satisfactory performance of the mixing valve is the in-service test, refer to the TMV2 Requirements Manual.

#### Frequency of In-service Tests - Commercial (non-domestic installations)

Check for correct blend setting every 6 months.

## ACCESSORIES

Genuine Mira accessories can be purchased direct from Mira Customer Services (our contact details can be found on the back cover of this guide) or from approved stockists or merchants.

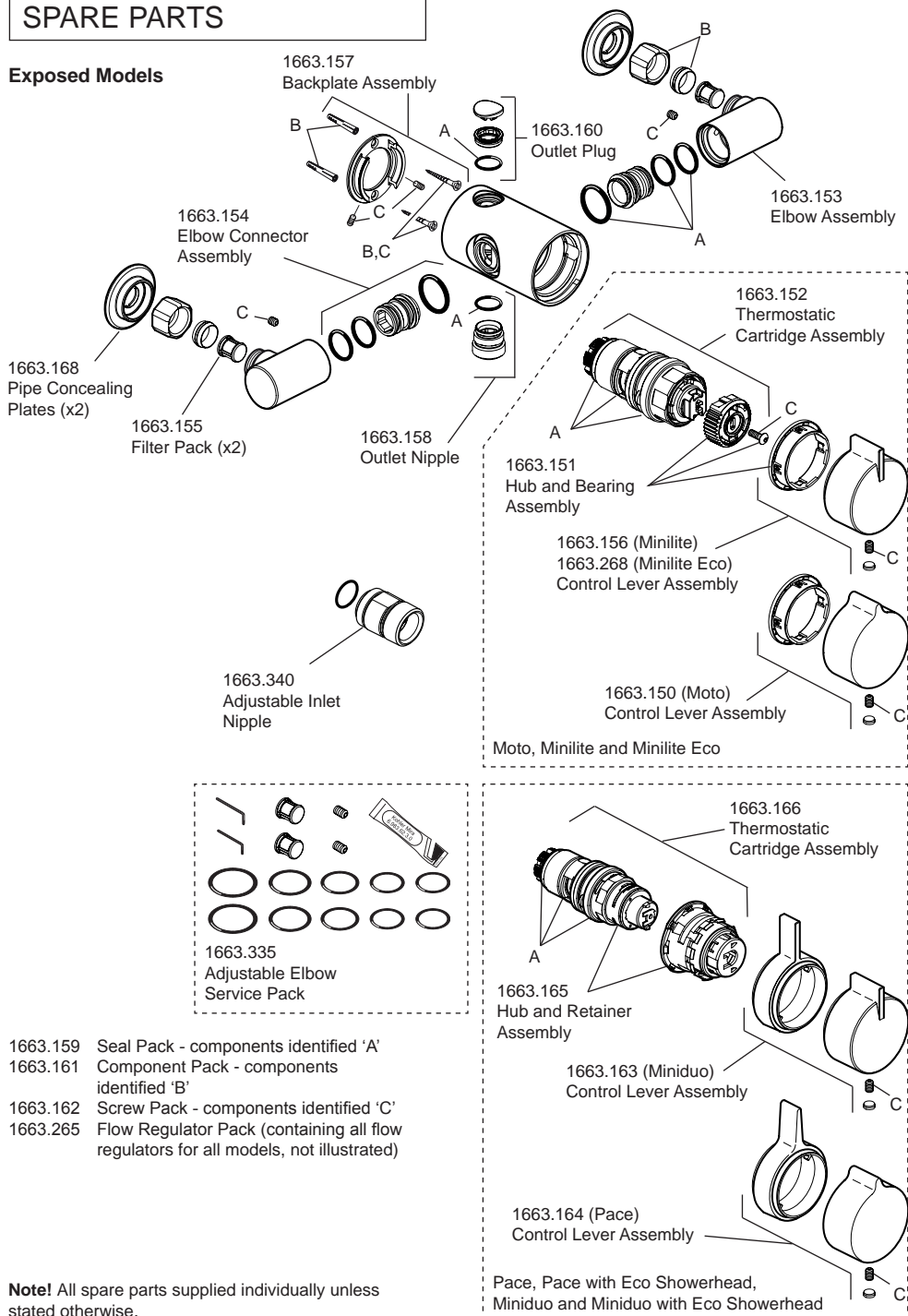


#### Adjustable Elbow Pack Chrome - 1.1663.012

The Mira Adjustable Elbow Pack allows the Mira 'mini valves' to be retro-fitted in place of an existing shower - no need to re-plumb or re-tile.

# SPARE PARTS

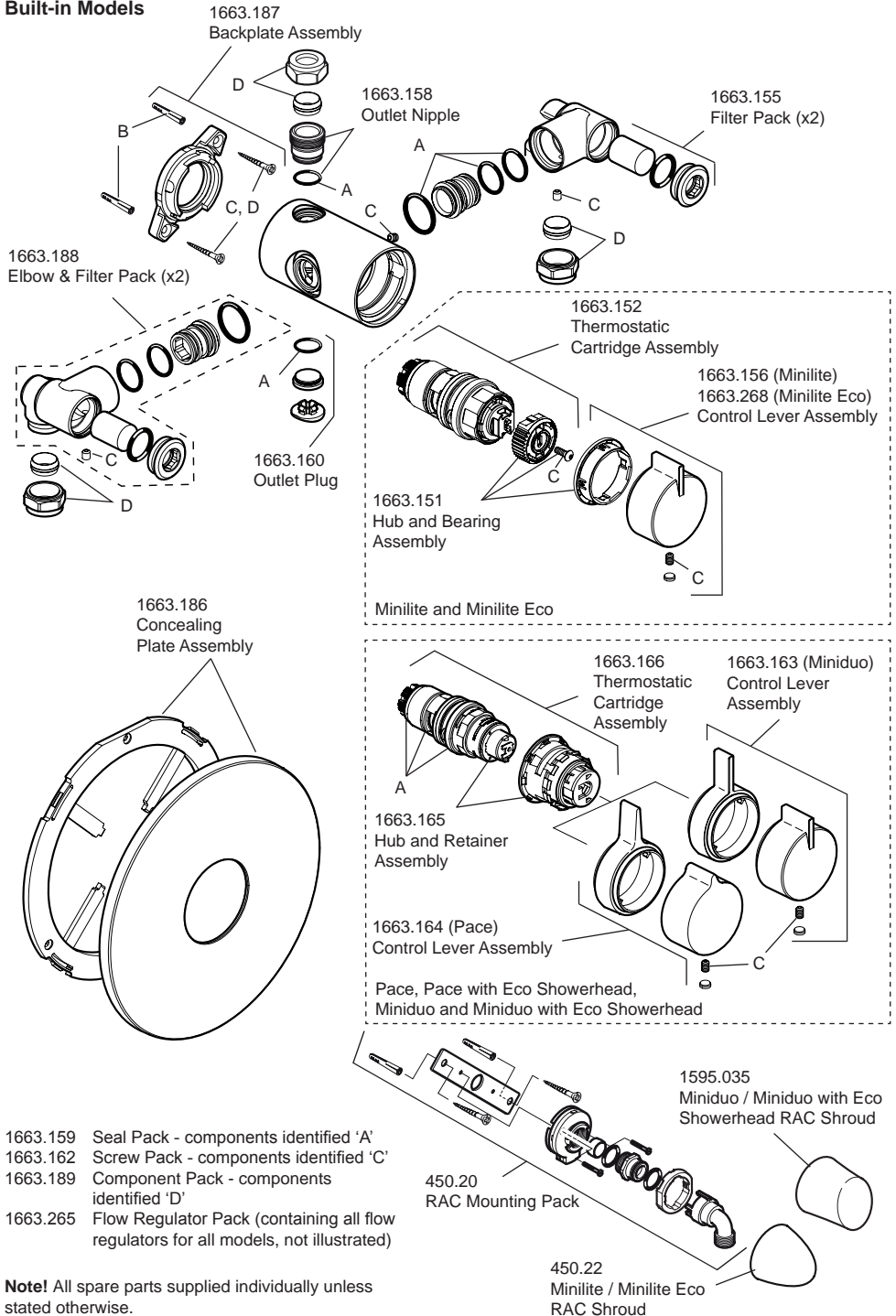
## Exposed Models



- 1663.159 Seal Pack - components identified 'A'
- 1663.161 Component Pack - components identified 'B'
- 1663.162 Screw Pack - components identified 'C'
- 1663.265 Flow Regulator Pack (containing all flow regulators for all models, not illustrated)

**Note!** All spare parts supplied individually unless stated otherwise.

**Built-in Models**



**Note!** All spare parts supplied individually unless stated otherwise.

# CUSTOMER SERVICE

## Guarantee

Your product has the benefit of our manufacturer's guarantee which starts from the date of purchase.

To activate this guarantee, please return your completed registration card, visit our website or free phone 0800 0731248 within 30 days of purchase (UK only).

Within the guarantee period we will resolve defects in materials or workmanship, free of charge, by repairing or replacing parts or product as we may choose.

**This guarantee is in addition to your statutory rights and is subject to the following conditions:**

- The guarantee applies solely to the original installation under normal use and to the original purchaser only. The product must be installed and maintained in accordance with the instructions given in this user guide.
- Servicing must only be undertaken by us or our appointed representative. **Note!** if a service visit is required the product must be fully installed and connected to services.
- Repair under this guarantee does not extend the original expiry date. The guarantee on any replacement parts or product ends at the original expiry date.
- For shower fittings or consumable items we reserve the right to supply replacement parts only.

**The guarantee does not cover:**

- Call out charges for non product faults (such as damage or performance issues arising from incorrect installation, improper use, inappropriate cleaning, lack of maintenance, build up of limescale, frost damage, corrosion, system debris or blocked filters) or where no fault has been found with the product.
- Water or electrical supply, waste and isolation issues.
- Compensation for loss of use of the product or consequential loss of any kind.
- Damage or defects caused if the product is repaired or modified by persons not authorised by us or our appointed representative.
- Routine maintenance or replacement parts to comply with the requirements of the TMV 2 or TMV 3 healthcare schemes.
- Accidental or wilful damage.
- Products purchased ex-showroom display.

## What to do if something goes wrong

If your product does not work correctly refer to this manual for fault diagnosis and check that it is installed and commissioned in accordance with our instructions.

If this does not resolve the issue, contact us for help and advice.

## Extended Guarantees

A selection of protection plans are available that enable you to cover repair bills (excludes Eire). Ring 01922 471763 for more details.



**Helpdesk Service** - Ring our Customer Services Team for product advice, to purchase spare parts or accessories or to set up service visit. You can contact us via phone or e-mail, details below. Please provide your model name, power rating (if applicable) and date of purchase.



**Mira Showers Website ([www.mirashowers.co.uk](http://www.mirashowers.co.uk))**

Visit our website to register your guarantee, download user guides, diagnose faults, purchase our full range of accessories and popular spares, or request a service visit.



**Spares and Accessories** - We hold the largest stocks of genuine Mira spares and accessories. Contact us for a price or visit our website to purchase items from our accessory range and popular spares.



**Service/Repairs** - No one knows our products better than our nationwide team of Service Technicians. We can carry out service or repair work to your product both during and after the guarantee period. Ask about our fixed price service repairs.

## To Contact Us: UK



**0844 571 5000**



**Fax: 01242 282595**



E-mail: Visit [www.mirashowers.co.uk/contactus](http://www.mirashowers.co.uk/contactus)



Mira Customer Services Dept, Cromwell Road, Cheltenham, Gloucestershire, GL52 5EP

## To Contact Us: Eire Only



**01 531 9337**



E-mail: [CustomerServiceEire@mirashowers.com](mailto:CustomerServiceEire@mirashowers.com)

Mira is a registered trade mark of Kohler Mira Limited.

The company reserves the right to alter product specifications without notice.



**mira**  
SHOWERS

## **Check out our full range of Showers**

Electric Showers

Digital Showers

Mixer Showers

Power Showers

Smart Showers

Shower Towers

## **From Top Shower Brands**

Mira Showers

Aqualisa Showers

Triton Showers

Gainsborough Showers

## **Shower Pumps can upgrade your showering experience even more**

Stuart Turner Shower Pumps

Salamander Shower Pumps

Grundfos Shower Pumps

**plumbworld**  
**Big brands, small prices.**