

MIRA MINIDUO

Part Number: EV, Chrome: 1.1663.004
 Part Number: BIV, Chrome: 1.1663.008

SAVES SPACE – SMALLER
 THAN A NORMAL MIXER

HIGH PERFORMANCE

Magni-Flo™ gives up to
 3x more flow

TEMPERATURE CONTROL

Thermostatic
 temperature stability

EASY TO FIT

Quickly and easily fits onto
 reversed inlet supplies

EASY TO SERVICE

Large, long-life filters and
 replaceable cartridge

FOR YOUR CUSTOMER

Separate flow and
 temperature controls

4 spray 9 cm showerhead with
 rub clean nozzles

MIRA MINIDUO EV



MIRA MINIDUO BIV

TECH DETAILS

TEMPERATURE CONTROL

Control type: Thermostatic

INSTALLATION

Water entry points: Rising, falling or rear

Inlet connections: 15 mm compression (EV & BIV)

Outlet connections: ½" BSP Male Flat Face (EV); 15 mm compression (BIV)

Reversed inlets supported: Yes

SUPPLY CONDITIONS (hot and cold supplies to be at nominally equal pressure)

Cold water range: Up to 25°C

Hot water range: 50°C-85°C (operating); 55°C-65°C (recommended)

Minimum maintained pressure: 0.1 bar (1 metre head)

Maximum maintained pressure: 5.0 bar (50 metre head)

Maximum static pressure: 10.0 bar (100 metre head)

PERFORMANCE

Flow rate (at handset): 11 l/min at 0.5 bar

Temperature stability: ± 2°C

SAFETY FEATURES

Automatic Shutdown: Shutdown to seepage in 2 seconds

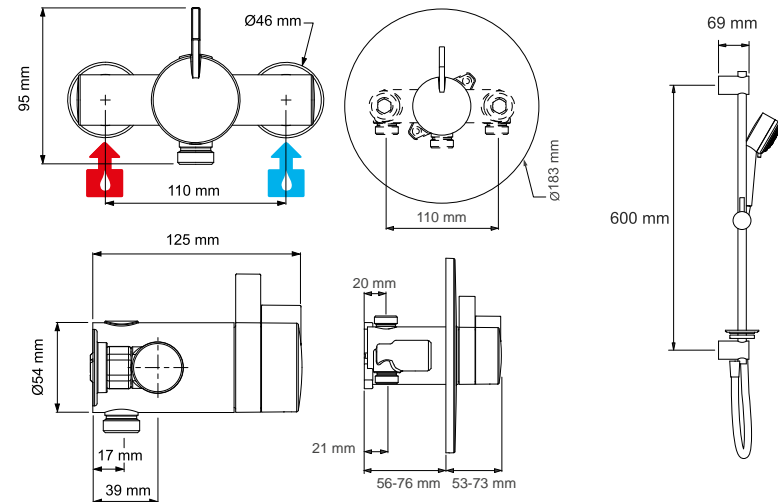
Factory set to safe max temp: Factory set to 41°C

Adjustable maximum temperature for on-site conditions

ACCESSORIES

Mini valve retrofit kit available to fit pipe centres between 133-153 mm (see page 19)

TECH DRAWINGS



See Magni-Flo™
 in action by
 scanning this
 QR code



Check out our full range of Showers

Electric Showers

Digital Showers

Mixer Showers

Power Showers

Smart Showers

Shower Towers

From Top Shower Brands

Mira Showers

Aqualisa Showers

Triton Showers

Gainsborough Showers

Shower Pumps can upgrade your showering experience even more

Stuart Turner Shower Pumps

Salamander Shower Pumps

Grundfos Shower Pumps

plumbworld
Big brands, small prices.