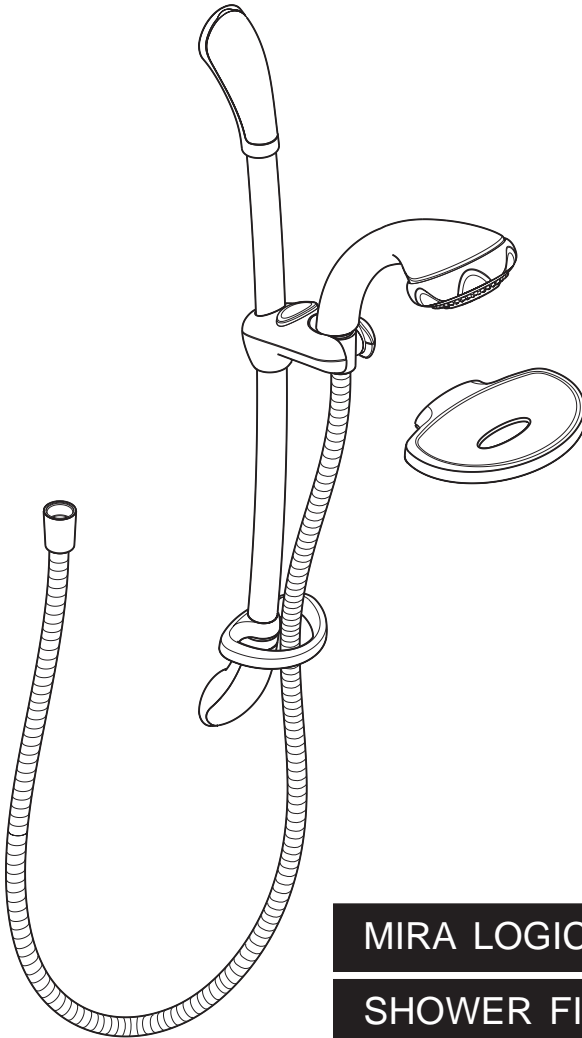


POWER RANGE

**mira**



MIRA LOGIC

SHOWER FITTINGS

Installation & User Guide

These instructions are to be left with the user

# CONTENTS

<b>Introduction</b> .....	<b>3</b>
<b>Important Safety Information</b> .....	<b>3</b>
<b>Pack Contents Checklist</b> .....	<b>4</b>
Mira Logic Power Shower Fittings .....	4
<b>Dimensions</b> .....	<b>5</b>
<b>Specifications</b> .....	<b>6</b>
<b>Installation Requirements</b> .....	<b>7</b>
<b>Installation</b> .....	<b>8</b>
Slide Bar and Clamp Bracket .....	8
Handset Installation .....	10
Soap Dish Installation .....	10
<b>Operation</b> .....	<b>11</b>
Changing Spray Settings .....	11
Clamp Bracket Adjustment .....	12
<b>Fault Diagnosis</b> .....	<b>13</b>
<b>Maintenance</b> .....	<b>14</b>
Cleaning .....	14
Spray Plate - Removal and Installation .....	15
<b>Spares</b> .....	<b>16</b>
Mira Logic Spares List .....	16
Mira Logic Spares Diagram .....	17
<b>Accessories</b> .....	<b>18</b>
<b>Notes</b> .....	<b>19</b>
<b>Customer Service</b> .....	<b>Back Page</b>

# INTRODUCTION

Thank you for purchasing a quality Mira product. To enjoy the full potential of your new product, please take time to read this guide thoroughly, having done so, keep it handy for future reference.

## **Mira Logic Power Shower Fittings**

An adjustable spray handset with four different spray actions (start, champagne, massage and eco\*), supplied complete with flexible hose, clamp bracket assembly, slide bar, supports, hose retaining ring/gel holder and wall mounted soap dish. Available in white and white/chrome finish.

\* The eco setting reduces the water flow on the start mode to give better economical use of water, whilst still giving an adequate shower performance. This setting performs best with pumped and mains pressure unvented systems. On some combination boiler systems the economy setting will have no effect, and will give the same spray action as the start setting.

# IMPORTANT SAFETY INFORMATION

## **Warning!**

1. Products manufactured by us are safe and without risk provided they are installed, used and maintained in good working order in accordance with our instructions and recommendations.

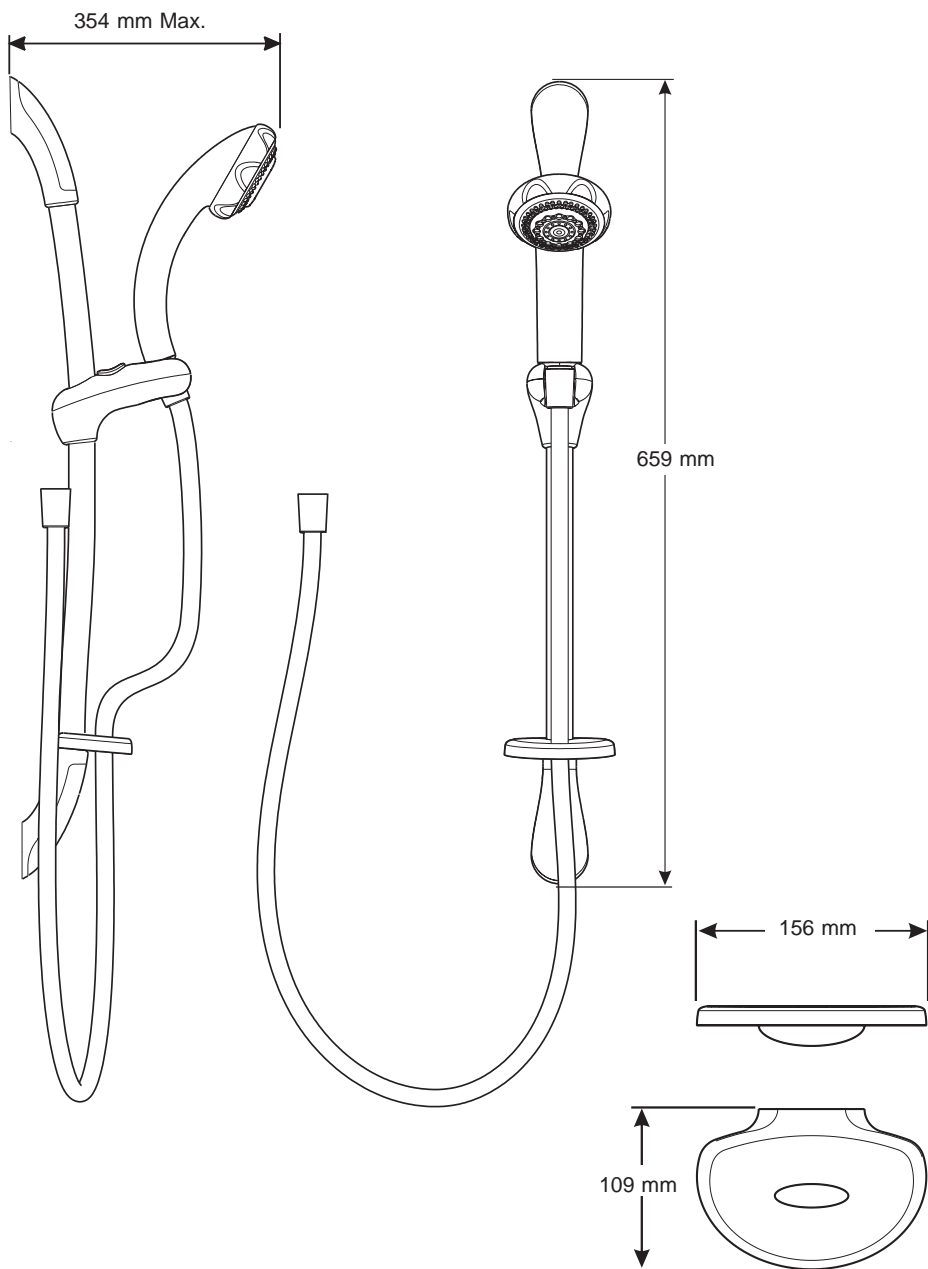
## **Caution!**

1. Read all of these instructions.
2. Retain this guide for later use.
3. Pass on this guide in the event of change of ownership of the installation site.
4. Follow all warnings, cautions and instructions contained in this guide.
5. Anyone who may have difficulty understanding or operating the controls of any shower should be attended whilst showering. Particular consideration should be given to the young, the elderly, the infirm, or anyone inexperienced in the correct operation of the controls.
6. When this product has reached the end of its serviceable life, it should be disposed of in a safe manner, in accordance with current local authority recycling, or waste disposal policy.

If you experience any difficulty with the installation or operation of your new shower fittings, then please refer to "**Fault Diagnosis**", before contacting Kohler Mira Limited. Our telephone and fax numbers can be found on the back cover of this guide.



# DIMENSIONS



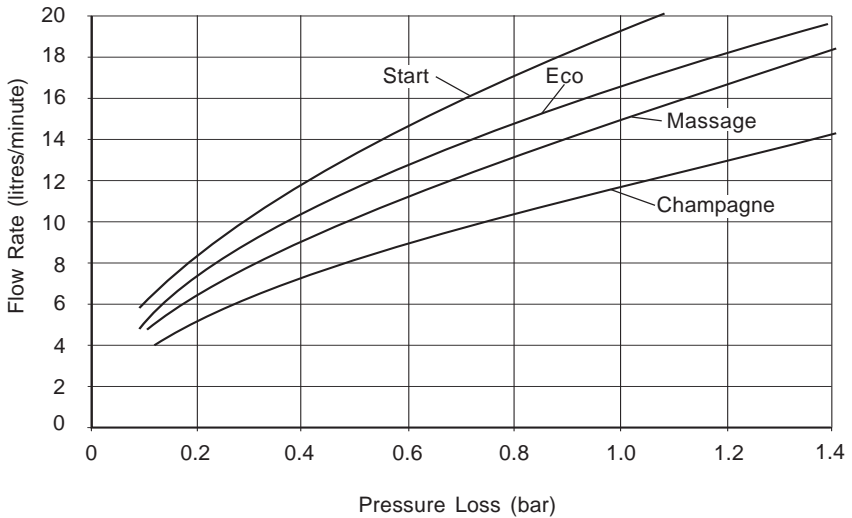
# SPECIFICATIONS

Minimum maintained pressure: **0.4 bar**

Maximum maintained pressure: **5.0 bar**

**Warning!** Exceeding the stated maximum maintained pressure could result in excessive spray forces and possible damage to the product.

This is the typical flow performance graph for the Mira Logic power shower fittings only. There will be an additional pressure loss through the shower control.



Pressure loss = Pressure difference between the inlet and outlet of the fitting.

# INSTALLATION REQUIREMENTS

Installation must be carried out in accordance with these instructions, and must be conducted by designated, qualified and competent personnel.

1. The hose retaining ring supplied **must** be used to stop the handset from dropping below the spill-over level of the bath or shower tray. This will prevent water supply contamination due to backsiphonage.
2. Installations **must** comply with UK Water Regulations/ Bye-laws (Scotland), and Building and Plumbing Regulations in force at the time of installation.
3. When installing the shower fittings in a cubicle, position with the spray pointing across rather than toward the opening of the cubicle.
4. When installing the shower fittings over a bath, position with the spray pointing down the centre line of the bath.
5. Avoid layouts where the shower hose will be sharply kinked. This may reduce the life of the hose.
6. **Do not** fit any form of flow control in the shower outlet.
7. **Do not** use excessive force when making connections.
8. **Do not** install the fittings in a position where it could become frozen.
9. The minimum pressure required for a satisfactory spray pattern to form, at the handset or spray head, is 0.1 bar. For a gravity fed shower installation the minimum head of water required, to accommodate the pressure loss in the pipes and shower control of a typical installation, is 1.0 metre.

For a pump installation the minimum acceptable vertical distance between the base of the cold water storage cistern and the shower head to operate the pump's flow switches, is typically 0.6 m (600 mm).

# INSTALLATION

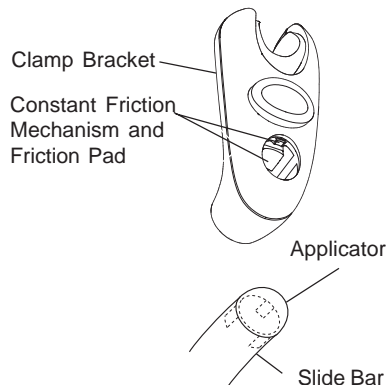
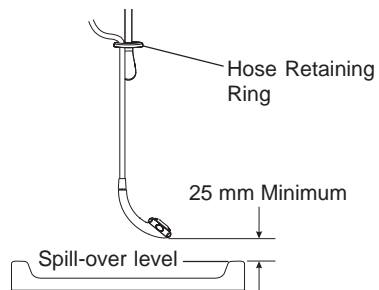
**Note!** For dry lined, stud partition, shower cubicle or laminated panel walls the installer may wish to obtain alternative proprietary cavity fixings. Use of these alternative fixings is beyond the scope of this guide.

**Important!** If the Logic slide bar replaces an existing Mira slide bar make sure that the position of the shower control and the shower fittings provide a minimum of 25 mm between the handset and bath/tray spill-over level. This is necessary to prevent back-siphonage. If this is not possible then the new slide bar will have to be repositioned.

## Slide Bar and Clamp Bracket

Read the section: **Installation Requirements** before proceeding with the installation. The slide bar should be positioned to one side of the shower control at a convenient height for all the family. It should be positioned so that the handset discharges down the centre line of the bath, or across the opening of the shower cubicle. The handset should be directed away from the shower control.

1. Decide on a suitable position for the slide bar avoiding buried cables and pipes. Make sure that when the hose retaining ring is placed on the lowest position on the slide bar there is a minimum of 25 mm between the handset and bath/tray spill-over level. This is necessary to prevent back-siphonage.
2. **Important!** The slide bar has been supplied with an applicator fitted to one end (refer to illustration) to assist the assembly of the slide bar through the hole in the clamp bracket. With the clamp bracket button **FULLY** depressed carefully ease the slide bar through the hole in the clamp bracket. Take care not to dislodge the constant friction mechanism or the friction pad.
3. Release the clamp bracket button. Remove the applicator from the slide bar and store in a safe place for future use.
4. Slide the hose retaining ring onto the slide bar below the clamp bracket.





5. Make sure that the slots in the slide bar are aligned with the lugs in the support and fit the two slide bar supports to the ends of the slide bar. Make sure that each support is pushed firmly home.

**Note!** If replacing an existing Mira Slide Bar proceed to instruction 8.

6. Using the assembled slide bar and supports as a template, mark the position of the two fixing holes using the centre slot.

**Warning!** Make sure that there are no buried cables or pipes in the wall before drilling.

7. Drill the two 8 mm holes for the fixing screws and insert the wall plugs supplied. (Alternatively use proprietary cavity fixings for dry lined, stud partition, shower cubicle or laminated panel walls).

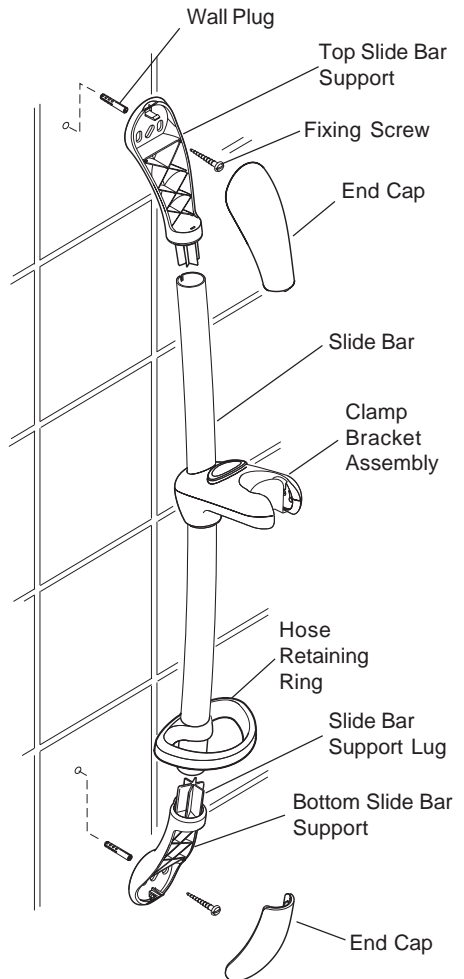
8. Fix the bottom slide bar support to the wall using the screw provided. Make sure that the screw is fully tightened.

9. Loosely screw the top slide bar support to the wall. Press firmly down on the top slide bar support and, while continuing to apply force, fully tighten the screw.

10. Fit the end caps to the slide bar supports.

11. Check the slide bar cannot be rotated or vertically moved. If there is movement remove the slide bar assembly from the wall. Check the slide bar support lugs are properly engaged with the slots in the slide bar and the supports are pushed fully onto the slide bar ends. Refit the slide bar assembly.

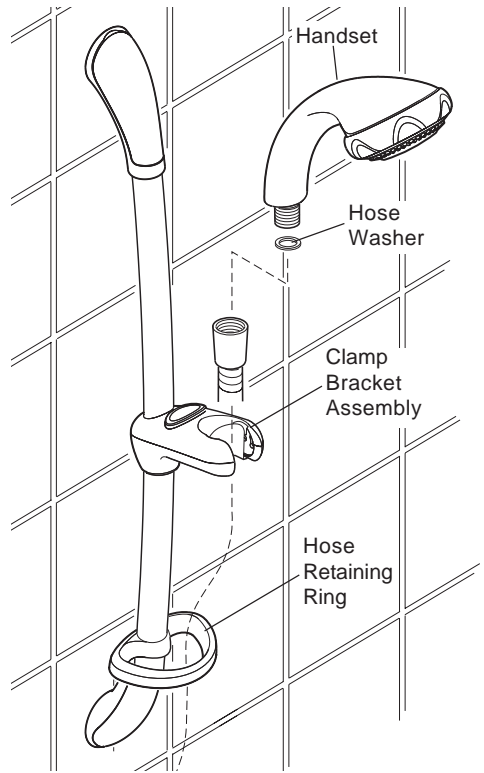
12. Refer to sections: **Handset Installation** and **Soap Dish Installation** to complete the fittings installation.



## Handset Installation

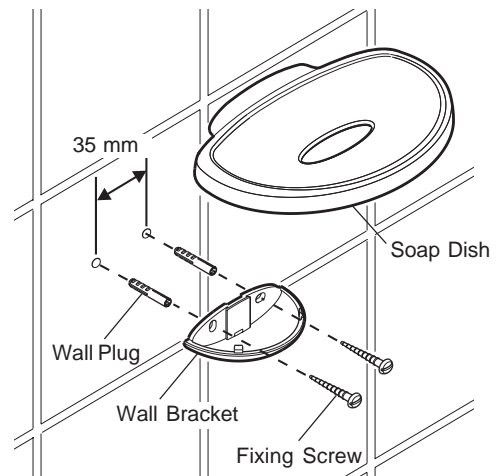
**Caution!** Do not overtighten the hose.

1. Screw the hose onto the outlet of the shower control (Make sure that the hose washer is fitted).
2. Pass the flexible hose through the hose retaining ring and screw the remaining end of the hose onto the handset (Make sure that the hose washer is fitted).
3. Place the handset in the clamp bracket assembly.



## Soap Dish Installation

1. Decide on a suitable position for the soap dish, avoiding any buried cables and pipes.
2. Place the wall bracket on the wall and mark the position of the fixing holes.  
**Warning!** Make sure that there are no buried cables or pipes in the wall before drilling.
3. Drill the two 8.0 mm fixing holes for the soap dish at 35 mm centres, and insert the wall plugs supplied.
4. Screw the wall bracket to the wall.
5. Clip the soap dish onto the wall bracket.
6. This completes the installation of the Mira Logic power shower fittings.



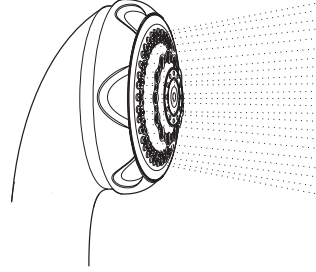
# OPERATION

## Changing Spray Settings

The handset has four different spray settings (start, champagne, massage and eco).

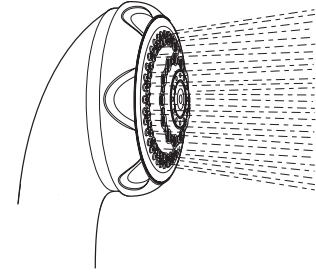
### 1. Eco Setting

Turn the spray plate fully clockwise. Water will flow from the outer set of holes and the flow rate will be reduced. This setting performs best with most gravity, pumped, and mains pressure unvented systems. On electric showers and some combination boiler systems the economy setting will have no effect, and will give the same spray action as the start setting.



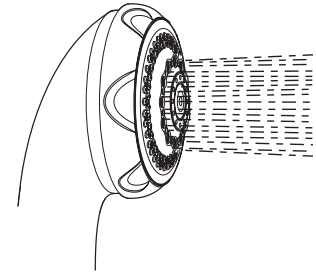
### 2. Start

Turn the spray plate anticlockwise until it 'clicks' (one click from economy setting). Water will flow from the outer set of holes.



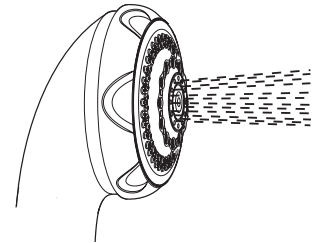
### 3. Champagne

Turn the spray plate anticlockwise until it 'clicks' (two clicks from economy setting). Water will flow from the large diameter holes.



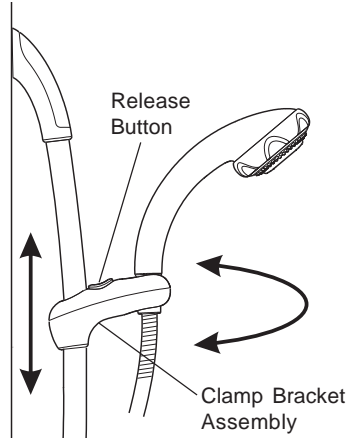
### 4. Massage

Turn the spray plate anticlockwise until it 'clicks' (three clicks from economy setting). Water will flow from the inner set of holes.

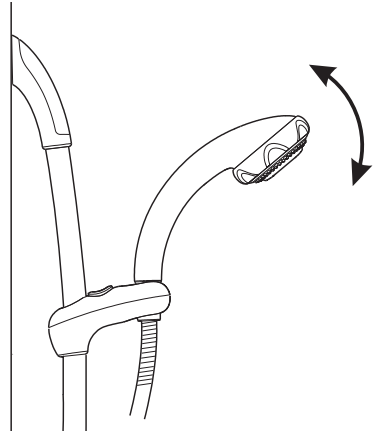


## Clamp Bracket Adjustment

1. Depress the release button and slide the clamp bracket assembly to the required position.



2. Move the handset to the required angle. A friction mechanism within the clamp bracket assembly will hold the handset at the desired angle.



# FAULT DIAGNOSIS

The trouble shooting information tabled below gives details on what you can do as a user, should you encounter difficulties with the shower fittings whilst operating the shower. Before replacing any parts make sure that the underlying cause of the malfunction has been resolved.

Malfunction	Cause	Remedy
No flow or low flow rate from shower fittings.	Spray plate blocked.	Refer to section: <b>Maintenance, Cleaning.</b>
	Hose blocked or twisted.	Clear blockage or release twist in hose or renew hose.
	Partially closed stop or servicing valve in supply pipe work to the shower control.	Open valve.
	Head of water below minimum required.	Raise cistern or fit Mira pump.
	Problem with shower control.	Refer to the shower control Installation and User Guide.
Drip from spray plate assembly in handset.	A small amount of water may be retained in the shower fitting after the shower control has been turned off. This may drain over a few minutes.	This is quite normal. Changing the angle of the shower fitting may vary the draining time.
	Problem with shower control.	Refer to the shower control Installation and User Guide.
Shower temperature changes when spray action is adjusted.	Adjusting the spray action changes the flow of water. This may affect some shower controls and plumbing installations.	To minimise the effect make sure that the spray plate is clean. Refer to section: <b>Maintenance, Cleaning.</b> If the malfunction persists refer to the shower control Installation and User Guide.

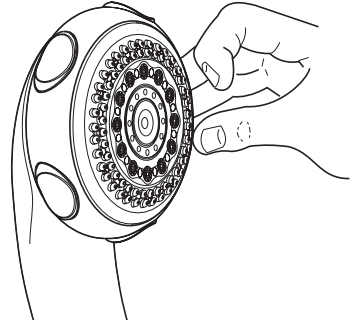
# MAINTENANCE

## Cleaning

Many household cleaners contain abrasives and chemical substances, and should not be used for cleaning plated or plastic fittings. These finishes should be cleaned with a mild washing up detergent or soap solution, and then wiped dry using a soft cloth.

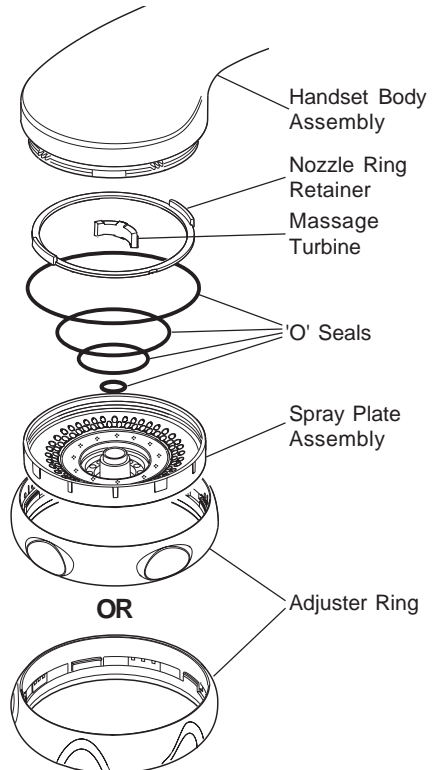
### Spray Plate Assembly - External

1. Use your thumb or a soft cloth to wipe any limescale from the soft rubber nozzles and the front face of the spray plate assembly.



### Spray Plate Assembly - Internal

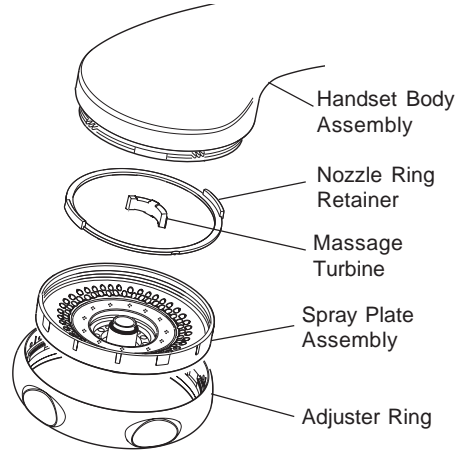
1. Remove the spray plate assembly. Refer to section: **Maintenance, Spray Plate - Removal and Installation.**
2. Remove the massage turbine and the nozzle ring retainer.
3. Clean all the components with a stiff brush. If necessary use a plastic kettle descalant in accordance with the manufacturer's instructions. Flush thoroughly with water before the shower is used.
4. If necessary replace the 'O' seals. Refer to section: **Spare Parts.**
5. Refit the components in reverse order. Make sure that the 'O' seals, the massage turbine and the nozzle ring retainer are fitted correctly. Refer to section: **Maintenance, Spray Plate - Removal and Installation.**



## Spray Plate - Removal and Installation

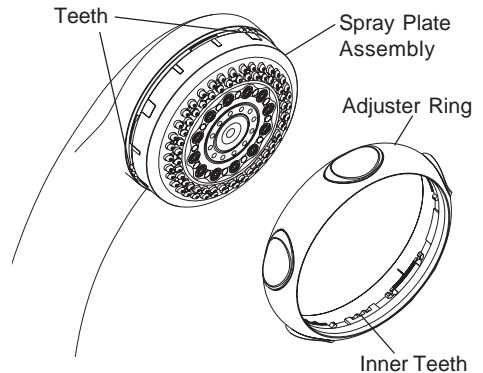
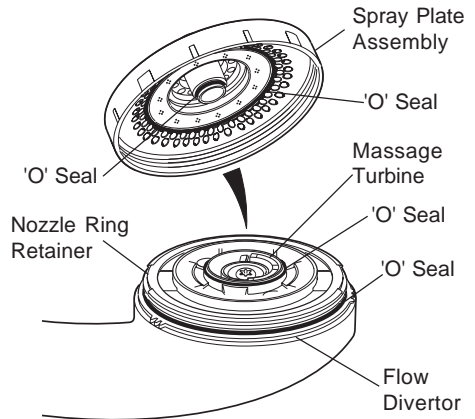
### Spray Plate Removal

1. Turn the adjuster ring fully anticlockwise to the massage spray setting.
2. Unclip and remove the adjuster ring.
3. Unscrew the spray plate assembly in an anticlockwise direction. The 'O' seals will provide some resistance.
4. Remove the massage turbine and the nozzle ring retainer.



### Spray Plate Installation

1. Make sure that the four 'O' seals, massage turbine and nozzle ring retainer are all correctly fitted.
2. Turn the flow divertor fully clockwise.
3. Carefully screw the spray plate assembly on to the flow divertor
4. Align the inner teeth on the adjuster ring with the teeth on the handset flow divertor. Clip the adjuster ring into position.



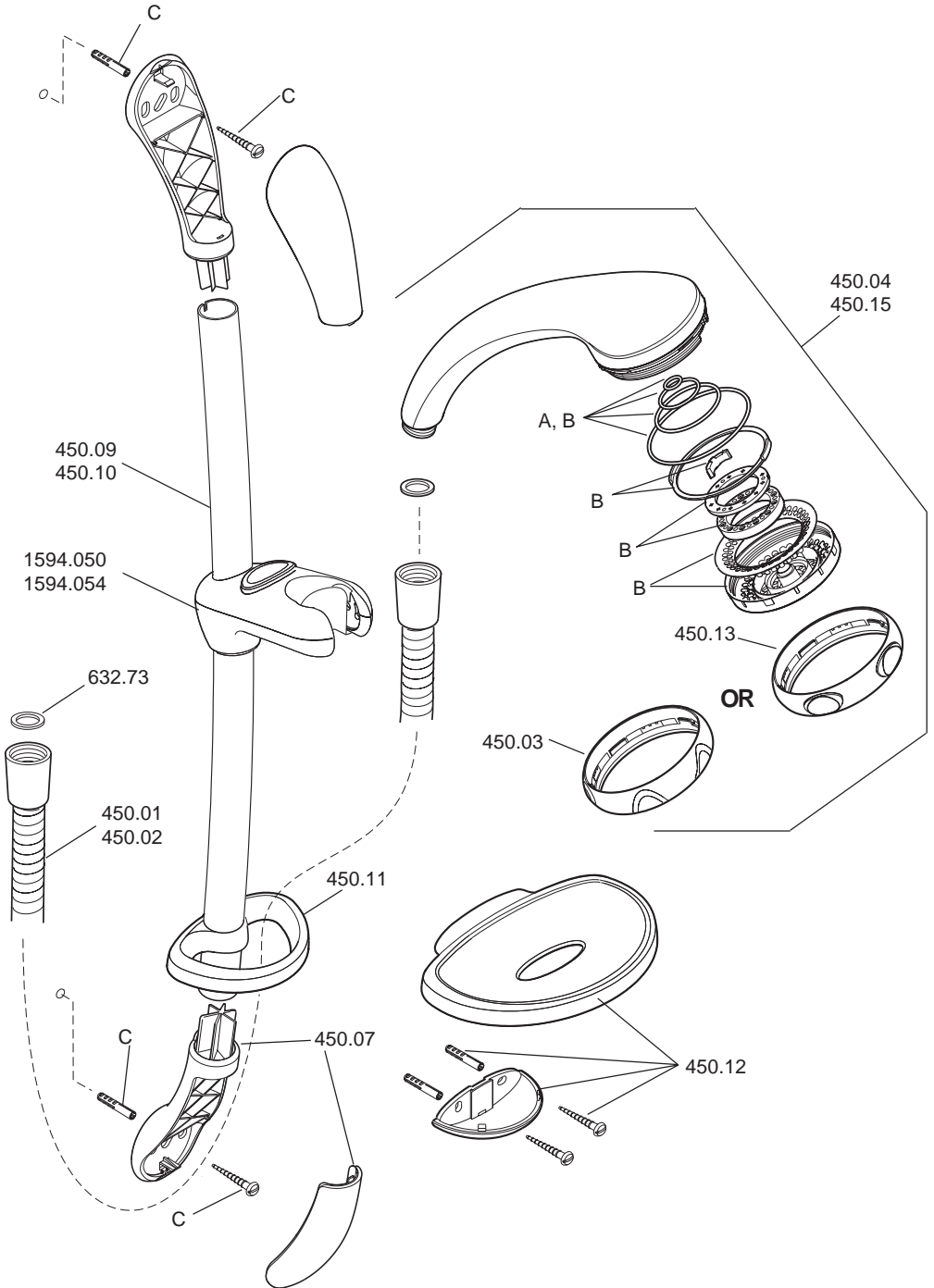
# SPARES

## Mira Logic Spares List

450.01	Hose 1.25 m - chrome
450.02	Hose 1.25 m - white
450.03	Adjuster Ring (for fittings supplied with Mira Event XS)
450.04	Handset Assembly - white (for fittings supplied with Mira Event XS)
450.07	Slide Bar Support Assembly
450.08	Service Pack 'O' seals- components identified 'A'
450.09	Slide Bar - stainless steel
450.10	Slide Bar - white
450.11	Hose Retaining Ring
450.12	Soap Dish Pack
450.13	Adjuster Ring (for fittings supplied with Mira Extreme)
450.14	Spray Plate Pack - components identified 'B'
450.15	Handset Assembly - white (for fittings supplied with Mira Extreme)
450.17	Slide Bar Wall Fixing Pack- components identified 'C'
632.73	Hose Washer
1594.050	Clamp Bracket Assembly - white
1594.054	Clamp Bracket Assembly (for fittings supplied with Mira Event XS / Sport)

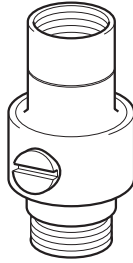


# Mira Logic Spares Diagram



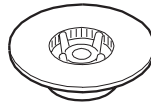
# ACCESSORIES

**DCV-H:** An outlet double check valve, designed to prevent the backflow or back-siphonage of potentially contaminated water, through shower controls which are fitted with a flexible hose as part of the outlet shower fitting. The inclusion of the Mira DCV-H will increase the required supply pressure typically by 0.1 bar. Available as an optional accessory from Customer Services.



DCV-H Outlet Double Check Valve  
(Part no 110.55)

**9 litre/minute Flow Regulator:** Designed to limit the flow rate for the Mira Logic fittings in high pressure installations. Contact Customer Services for the flow regulator options for bir fittings.



9 Litre/minute Flow Regulator  
(Part no. 146.84)

# NOTES

# CUSTOMER SERVICE

## Guarantee of Quality

Mira Showers guarantee your product against any defect in materials or workmanship for the period shown in the Guarantee Registration Document included with your shower. Alternatively, to confirm the applicable guarantee period please contact Customer Services.

To validate the guarantee, please return your completed registration card.

Within the guarantee period we will resolve defects, free of charge, by repairing or replacing parts or modules as we may choose.

To be free of charge, service work must only be undertaken by Mira Showers or our approved agents in Northern Ireland and Republic of Ireland.

Service under this guarantee does not affect the expiry date. The guarantee on any exchanged parts or product ends when the normal product guarantee period expires.

Not covered by this guarantee:

Damage or defects arising from incorrect installation, improper use or lack of maintenance, including build-up of limescale.

Damage or defects if the product is taken apart, repaired or modified by any person not authorised by Mira Showers or our approved agents.

This guarantee is in addition to your statutory and other legal rights.

## Before using your shower

Please take the time to read and understand the operating and safety instructions detailed in this manual.

## What to do if something goes wrong

If when you first use your shower it doesn't function correctly, first contact your installer to check that installation and commissioning are satisfactory and in accordance with the instructions in this manual. We are on-hand to offer you or your installer any advice you may need.

Should this not resolve the difficulty, simply contact our Customer Services who will give every assistance, and if necessary arrange for our service engineer to visit.

If later the performance of your shower declines, consult this manual to see whether simple home maintenance is required. Please call our Customer Services to talk the difficulty through, request service under guarantee if applicable, or take advantage of our comprehensive After-Sales service.

As part of our quality and training programme calls may be recorded or monitored.

Our Customer Services Team is comprehensively trained to provide every assistance you may need: help and advice, spare parts or a service visit.

## Spare Parts

We maintain an extensive stock of spares, and aim to have functional parts available for ten years from the date of final manufacture of the product.

Spares can be purchased from approved stockists or merchants (locations on request) or direct from Customer Services.

Spares direct will normally be despatched within two working days. Payment can be made by Visa or Mastercard at the time of ordering. Should payment by cheque be preferred a pro-forma invoice will be sent.

**Note!** In the interests of safety, spares requiring exposure to mains voltages can only be sent to competent persons.

## Service

Our Service Force is available to provide a quality service at a reasonable cost. You will have the assurance of a Mira trained engineer/agent, genuine Mira spares – and a 12 month guarantee on the repair.

Payment should be made directly to the Service Engineer/Agent, using Visa, Mastercard or a cheque supported by a banker's card.

## To contact us

England, Scotland & Wales

### Mira Showers Customer Services

Telephone: 0870 241 0888

8:30 am to 5:00 pm Working days (4:30 pm Friday)

8:30 am to 12.30 pm Saturday

E-mail: [technical@mirashowers.com](mailto:technical@mirashowers.com)

Fax: 01242 282595

By Post: Cromwell Road

Cheltenham

Gloucestershire

GL52 5EP

Northern Ireland

### Wm H Leech & Son Ltd

Telephone: 028 9044 9257 – Mon to Fri 9 am-5pm

Fax: 028 9044 9234 – 24 hours

Post: Maryland Industrial Estate

Ballygowan Road

Moneyreagh, Co Down

BT23 6BL

Republic of Ireland

### Modern Plant Ltd

Telephone: 01 4591344 – Mon to Fri 9am to 5pm

Fax: Dublin 01 4592329 – 24 hours

Post: Otter House

Naas Road

Clondalkin

Dublin 22

**Mira Showers**  
Kohler Mira Ltd  
Cromwell Road,  
Cheltenham GL52 5EP.

Mira is a registered trade mark of  
Kohler Mira Limited.  
The company reserves the right to alter  
product specifications without notice.  
[www.mirashowers.com](http://www.mirashowers.com)



FM 14648



## **Check out our full range of Showers**

Electric Showers

Digital Showers

Mixer Showers

Power Showers

Smart Showers

Shower Towers

## **From Top Shower Brands**

Mira Showers

Aqualisa Showers

Triton Showers

Gainsborough Showers

## **Shower Pumps can upgrade your showering experience even more**

Stuart Turner Shower Pumps

Salamander Shower Pumps

Grundfos Shower Pumps

**plumbworld**  
**Big brands, small prices.**