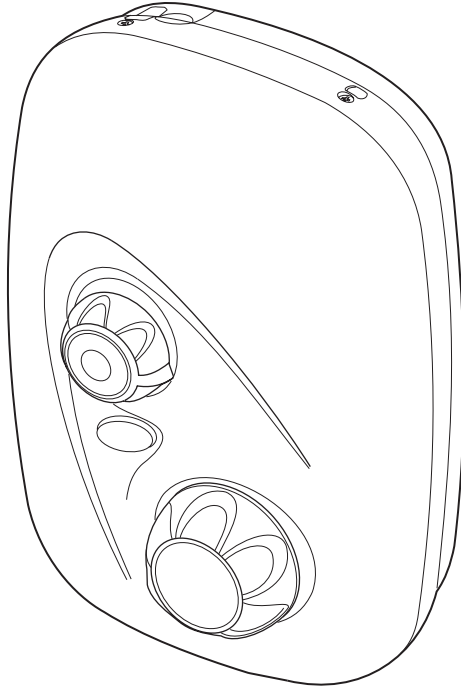


# Mira Event XS

## Thermostatic Power Shower



**These instructions must be left with the user**

**Installation & User Guide**

*Showering perfection*

***mira***  
SHOWERS

# Important Safety Information

---

**WARNING - This shower can deliver scalding temperatures, cause fire, electric shock or other personal injury if not operated, or maintained in accordance with the instructions, warnings and cautions contained in this guide and on the appliance.**

Please read the important safety information and the operation section of this guide before using the shower. Failure to follow the instructions provided with this shower will invalidate the guarantee.

## **TO REDUCE THE RISK OF FIRE, ELECTRIC SHOCK OR INJURY:**

1. Children younger than 3 years should not use this shower. Children 3 years to under 8 years should only use this shower under continuous supervision. Children aged 8 years and above and persons with reduced physical, sensory or mental capabilities or lack of experience or knowledge can use the shower if they are given supervision or instruction concerning use of the appliance in a safe way and understand the hazards involved.
2. Children shall not be allowed to play with the shower.
3. Cleaning and user maintenance shall not be made by children without supervision.
4. The outlet must not be connected to any tap or fitting other than those specified.
5. The showerhead must be descaled regularly. Any blockage of the showerhead or hose can cause damage to the shower.
6. **Warning! DO NOT** switch on if there is a possibility that the water in the heater is frozen.
7. The shower must be provided with means for local disconnection from the supply mains having a contact separation in all poles that provide full disconnection under overvoltage category III, the instructions state that means for disconnection must be incorporated in the fixed wiring in accordance with the wiring rules.
8. Installation of the shower must be carried out in accordance with these instructions by qualified, competent personnel. Read all instructions before installing the shower.

9. **DO NOT** switch the shower on if water starts leaking from the shower case. Isolate the electrical supply to the shower immediately.
10. **DO NOT** switch the shower on if the case appears to be damaged or incorrectly fitted. Isolate the electrical supply to the shower immediately.
11. **DO NOT** increase the power setting or adjust the temperature control rapidly while using the shower.
12. **DO NOT** switch the shower off and back on while standing in the water flow.
13. **DO NOT** change the handset model. Fit only shower heads recommended by Mira and do not fit any additional device to restrict the water outlet flow.
14. When adjusting the handset mode, point handset away from body and make sure that the water temperature has stabilised before continuing to shower.
15. Use caution when altering the water temperature, always check the temperature before continuing to shower.
16. Switch the shower off at the electrical isolating switch when not in use. This is recommended with all electrical appliances.
17. Installation of the shower must be carried out in accordance with these instructions by qualified, competent personnel. Read all instructions before installing the shower.
18. Isolate the electrical and water supplies before commencing installation. The electricity must be isolated at the consumer unit and the appropriate circuit fuse removed, if applicable. Mains connections are exposed when the cover is removed.
19. **DO NOT** install the shower in areas with high humidity and temperature (i.e. Steam rooms and saunas).
20. **DO NOT** install the shower where it may be exposed to freezing conditions. Ensure that any pipework that could become frozen is properly insulated.
21. **DO NOT** connect the outlet of the shower to any tap, control valve, trigger operated handset or showerhead other than those specified for use with this shower as the outlet acts as a vent for the tank body. Only Kohler Mira recommended accessories should be used.

22. **DO NOT** perform any unspecified modifications, or drill or cut holes in the product other than instructed by this guide. When servicing only use genuine Kohler Mira replacement parts.
23. Always check the water temperature is safe before entering the shower.
24. The water supplies to this product must be isolated if the product is not to be used for a long period of time. If the product or pipework is at risk of freezing during this period they should also be drained of water.
25. If the shower is dismantled during installation or servicing then, upon completion, an inspection must be made to ensure all electrical connections are tight and that there are no leaks.
26. This appliance is intended to be permanently connected to the water mains and not connected by a hose set.
27. Maximum Inlet Static Pressure is 100 kPa (1.0 bar).  
Minimum Inlet Static Pressure is 0.8 kPa (0.008 bar).

## Disposal and Recycling

---

### End of Product Life

Electrical and electronic devices contain a range of materials that can be separated for recycling and used in new products.



This product should not be disposed of with your general household waste. When this product has reached the end of its serviceable life, please remove any batteries and take it to a recognised WEEE (Waste Electrical and Electronic Equipment) collection facility such as your local civic amenity site for recycling.

Your local authority or retailer will be able to advise you of your nearest recycling facility.

# Introduction

---

Thank you for choosing a Mira shower. To enjoy the full potential of your new shower, please take time to read this guide thoroughly, and keep it handy for future reference. Products manufactured by Kohler Mira Ltd are designed to be safe, provided that they are installed, used and maintained in good working order, in accordance with our instructions and recommendations.

Follow all warnings, cautions and instructions contained in this guide, and on, or inside the shower. This guide is also available in digital format from our website or by contacting customer services.

## Mira Power Showers covered by this guide:

Product	Model Number	Colour
Mira Event XS Thermostatic	B85IB	White / Chrome
Mira Event XS Thermostatic - T Dual Outlet	B85Q	White / Chrome

The Event XS Thermostatic is a surface mounted all-in-one thermostatic power shower. It is designed for use with a mains voltage electrical supply and gravity fed hot and cold water supplies. It features a built-in pump unit, thermostatic mixer assembly and separate power, flow and temperature controls.

The thermostatic mixer assembly responds to changes in incoming water temperature to maintain the showering temperature selected. The temperature control is preset to give a maximum showering temperature of 41°C. However, it can be adjusted to suit installation or user requirements.

An override button is fitted to the temperature control. This allows the user to override the maximum temperature and select higher showering temperatures. The button can be disabled, if required.

The product is fitted with a 15 mm dual entry push-fit inlet manifold which allows pipe connections to the top, bottom or rear of the power shower. The inlet manifold also contains inlet filters and check valves.

# Guarantee

---

This product has been designed for **domestic use only**, Mira Showers guarantee this product against any defect in materials or workmanship for a period of **one** years from the date of purchase.

For terms and conditions, refer to the back cover of this guide.

## Recommended Usage

---

Recommended Usage	
Domestic	✓
Light Commercial	✗
Heavy Commercial	✗
Healthcare	✗

The Mira Event XS is not suitable for use in institutional/commercial applications. It **must not** be used with mains water pressure applications; for example, instantaneous electric heaters, instantaneous gas water heaters, unvented mains pressure systems, pumped shower systems and some combination-type storage systems.

## Design Registration & Patents

---

### Patents

UK: 2 340 210, 2 392 223, 2 392 224, 2 392 225, 2 421 297

USA: 7 240 850

### Patent Applications:

Euro: 03254070.0

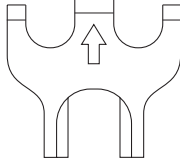
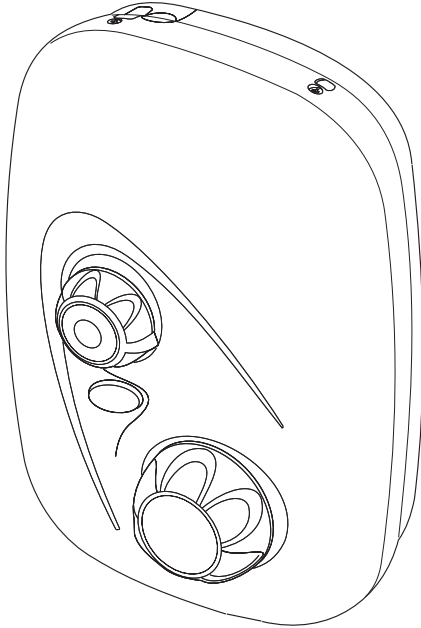
USA: 2007-0221740-A1

If you experience any difficulty with the installation or operation of your new power shower, please refer to **'Fault Diagnosis'** before contacting Kohler Mira Limited. Our contact details can be found on the back cover of this guide.

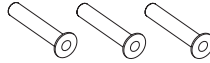
# Pack Contents

Tick the appropriate boxes to familiarise yourself with the part names and to confirm that the parts are included.

1 x Event XS T Thermostatic Power Shower



1 x Push-Fit Release Tool



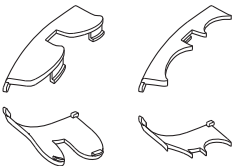
3 x Rubber Wall Plugs



3 x Fixing Screws



3 x Rubber Feet



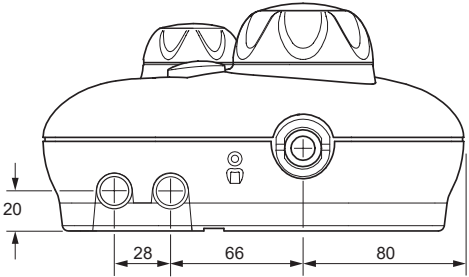
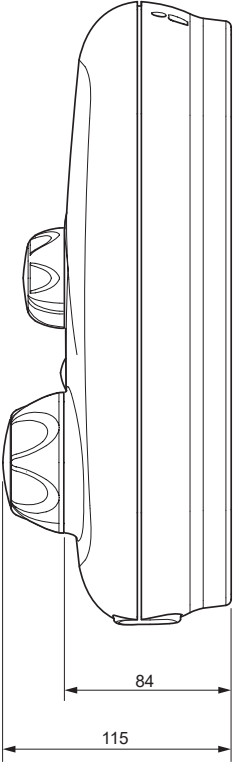
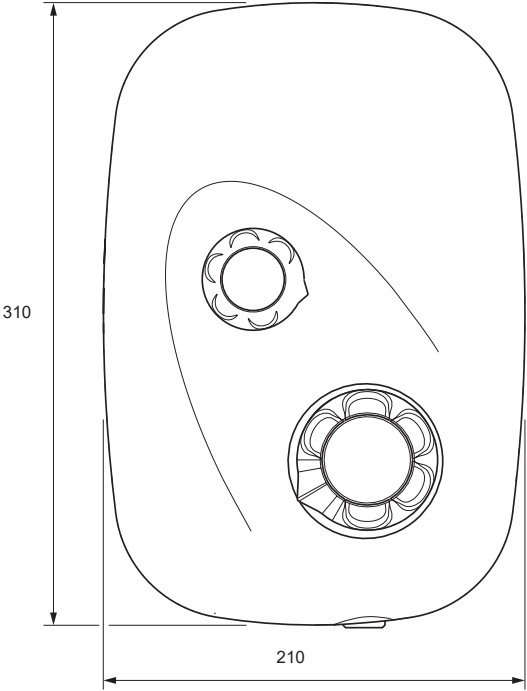
4 x Case Inserts

## Documentation

1 x Guarantee Registration Document

# Dimensions

---



Dimensions are in millimetres.



# Specifications

---

## 1. General

**1.1. Ambient temperature** – Maximum recommended ambient temperature for the appliance is 30°C.

**1.2. Maximum recommended hot water temperature** – 65°C.

**Warning!** For safety reasons set the maximum stored hot water temperature to between 60 and 65°C. Such temperatures are considered sufficient to meet all normal requirements and will also minimise the deposition of scale in hard water areas.

**1.3. Temperature control** – To obtain the full listed performance the Mira Event XS should be installed, operated and maintained in accordance with this guide.

**1.4.** The performance outlined below is achieved with a showering temperature of between 35° and 45°C selected and water supplies of 15°C cold and 65°C hot with nominally equal pressures.

**1.4.1** The maximum temperature stop is set to 41°C. Depressing the override button overrides the maximum temperature and the showering temperature can be increased by 5°C to approximately 46°C.

**1.4.1.** The blended water temperature is maintained within 1°C with a 10°C change in the hot or cold water supply.

**1.4.2.** The sensor effects a shut down to seepage in approximately 2 seconds if the cold supply fails.

**1.4.3.** Shut down to seepage is achieved even if the hot supply is only 12°C above the blend temperature.

**1.4.4.** The blended water temperature is maintained within 1.5°C when the pressure between inlet and outlet is halved (defined as a pressure loss ratio of 2:1) on either the hot or cold side.

**1.5. Maximum static inlet pressure** – 1 bar or 10 m (supplies must be gravity-fed at nominally equal pressures). Refer to section: '**Installation Requirements, Plumbing**'.

**1.6. Minimum static inlet pressure** – 0.008 bar or 80 mm (required to prime the integral centrifugal pump). The minimum static pressure will increase for long supply pipe lengths. Refer to section: '**Installation Requirements, Plumbing**'.

**1.7. Maximum recommended inlet pressure** – 0.5 bar or 5 m (supplies must be gravity-fed at nominally equal pressures).

**1.8. Flow Rate** –

The following flow rate information is for the valve only with a static inlet pressure of 0.1 bar.

Flow rates may vary due to differing inlet supply pressures and/or when the shower fittings are connected.

Minimum Flow Rate – 8 L/Min

Maximum Flow Rate – 14 L/Min

- 1.9. Duty Cycle** – The Mira Event XS Thermostatic pump is continuously rated. The motor is fitted with a self-resetting thermal trip, designed to operate if motor temperatures become too high due to abnormally high supply voltages.
- 1.10. Noise** – The Mira Event XS is supplied with anti-vibration rubber feet and rubber wall plugs that isolate the unit from the wall in order to minimize the amount of noise transmitted. The type of wall the Mira Event XS is fixed to will also affect the perceived noise level; solid walls will provide a quieter operation.
- 1.11 Maximum total head delivered** – 1.5m

## 2. Plumbing

- 2.1. Inlet** – 15 mm Push-fit inlet manifold.
- 2.2. Outlet** – ½" BSP to BS2779.

## 3. Electrical

- 3.1. Appliance power supply** – 230–240 V, 50 Hz, fused at 3 Amps, via a double pole switched fused connection unit (not supplied) with a minimum 3 mm contact separation in each pole.
- 3.2. Power supply connection** – The Mira Event XS is fitted with a terminal block which will accept cable up to 2.5 mm<sup>2</sup>. Minimum cable size (cross-sectional area) required under normal installation conditions is 1 mm<sup>2</sup>.
- 3.3. Maximum rated power** – 150 Watts.

## 4. Approvals

- 4.1.** The Mira Event XS complies with UKCA & CE standards.

# Installation Requirements

---

## 1. General

- 1.1. **Do not** take risks with plumbing or electrical equipment.
- 1.2. **Do not** install the Mira Event XS in a position where it could become frozen.
- 1.3. Isolate electrical and water supplies before proceeding with the installation of the Mira Event XS.
- 1.4. The shower control **must** be fed from a cold water storage cistern and hot water cylinder providing nominally equal pressures.
- 1.5. The installation must be carried out by a competent installer.
- 1.6. Decide on a suitable position for the Mira Event XS (minimum distance of 200 mm from the ceiling to allow for fitting and removal of the cover). The position of the Mira Event XS and the shower fittings must provide a minimum gap of 25 mm between the spillover level of the shower tray/bath and the handset. This is to prevent backsiphonage.
- 1.7. The Mira Event XS must be fitted onto the finished wall surface i.e. on top of the tiles. **Do not** fit the Mira Event XS to the wall and then tile up to the sides of the casing. (Small pillars moulded on the back of the case allow air to circulate and water to drain from behind the appliance).
- 1.8. When fitting the Mira Event XS with wall entry inlet supplies it is recommended that the supply pipework is sealed to the wall to prevent water from leaking back into the wall.
- 1.9. In solid wall installations the supply pipework should be installed within ducting to allow some free lateral movement when making supply connections.
- 1.10 If pipework and/or electrical cables enter the shower from the rear through a hole in the wall provision must be made to prevent water ingress back into the wall structure.

## 2. Electrical

- 2.1. **Do not turn on the electrical supply until the plumbing has been completed.**
- 2.2. The mains supply must be 230–240 V at 50 Hz connected to the appliance via a double pole switched 3 Amp fused connection unit (not supplied) with a minimum 3 mm contact separation gap in each pole.
- 2.3. Fuses do not give personal protection against electric shock.
- 2.4. The Mira Event XS **must be earthed** by connecting the supply-cable earth conductor to the earth terminal.

**Supplementary bonding:** Within the bathroom or shower room, all accessible conductive parts of electrical equipment and extraneous conductive parts that are likely to introduce earth potential, must be electrically bonded to earth using a minimum cable size of 4.0 mm<sup>2</sup> if the cable is not mechanically protected (2.5 mm<sup>2</sup> if mechanically protected).

- 2.5 The minimum cable size (cross-sectional area) required is 1 mm<sup>2</sup> under normal conditions of installation.
- 2.6. A 30 mA residual current device (RCD) must be fitted. This may be part of the consumer unit or a separate unit.

### 3. Plumbing

- 3.1. **Do not** use excessive force when making connections to the flexible hoses or handset, finger tightness is sufficient.
- 3.2. **Do not** solder supply pipework with the Mira Event XS connected. Heat transmitted through the pipework will melt the inlet manifold.
- 3.3. The storage cistern should have a minimum storage capacity of 230 litres to provide adequate showering time. Insufficient storage may result in the pump being run dry.
- 3.4. Avoid layouts where the hose will be sharply kinked. This may reduce the life of the hose.
- 3.5. No form of flow control should be fitted to the outlet of the appliance.
- 3.6. Fit non-restrictive (free-flowing) isolating valves to the inlet pipework in an easily accessible position. These valves will allow the water supply to be turned off quickly to the Mira Event XS, for maintenance purposes.
- 3.7. When using surface mounted inlet supply pipework the use of polyethylene plastic pipe suitable for hot water is recommended to enhance the appearance of the finished installation. Internal pipe supports (not supplied) should be used with this type of pipe.
- 3.8. Only use the Mira showerhead supplied with this appliance.
- 3.9. If the appliance is installed on a common supply ensure the appliance is the first take-off from the supply and is not influenced by the operation of any other appliance.
- 3.10. If the appliance is installed on a common supply which feeds an adjacent tap, the maximum static inlet pressure for the appliance will, under certain circumstances, be exceeded. The action of closing the tap can cause a pulse in the supply pressure which will result in damage to the appliance. This can be resolved by the installation of a suitably sized mini expansion vessel, sited as close as possible to the tap and pressurised to 0.5 bar.
- 3.11. Long pipe runs and excessive use of 90° elbows will significantly reduce the head available at the product. If the effective head is less than **80 mm**:
  - 3.11.1. The expected flow rate may not be achieved.
  - 3.11.2. Air may be drawn into the hot supply from the vent pipe, causing spluttering and temperature fluctuations at the handset.

Use the table below to calculate the actual head of water (x) needed in your installation.

A = Total length of 15 mm pipe in hot water supply pipe run\*

B = Total length of 22 mm pipe in hot water supply pipe run\*

C = Total length of 15 mm pipe in cold water supply pipe run\*

D = Total length of 22 mm pipe in cold water supply pipe run\*

\*Measure from the base of the cold water cistern to the relevant inlet port on the Mira Event XS.

Size	Hot Water Supply			Cold Water Supply		
	Pipe Run / Qty of Elbows		Head Loss (mm)	Pipe Run / Qty of Elbows		Head Loss (mm)
15 mm Pipe	A x 120	..... x 120		C x 120	..... x 120	
22 mm Pipe	B x 20	..... x 20		D x 20	..... x 20	
15 mm Elbow	No of Elbows	..... x 55		No of Elbows	..... x 55	
22 mm Elbow	No of Elbows	..... x 15		No of Elbows	..... x 15	
	Add the minimum effective head required		+80	Add the minimum effective head required		+80
	Required head of water = x mm			Required head of water = x mm		

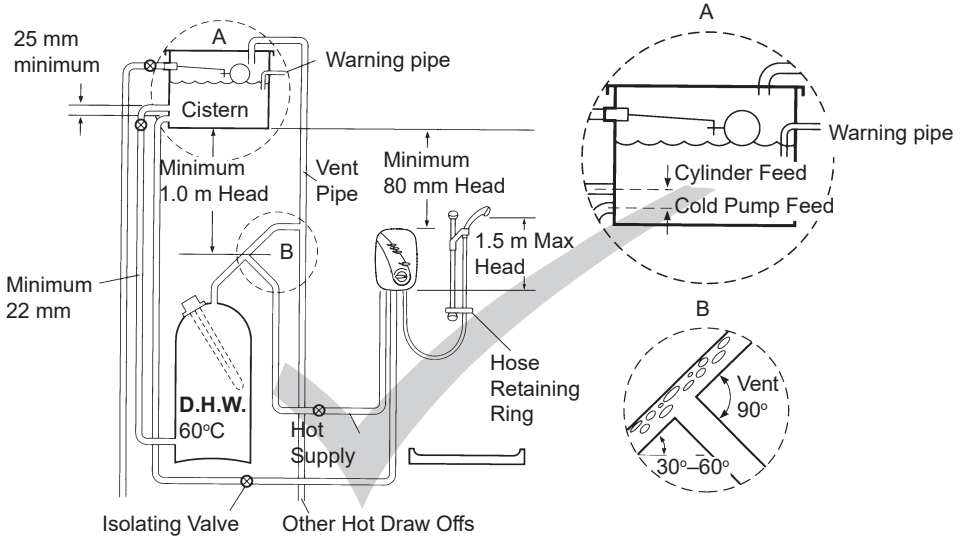
**Example:** With A = 1.5 m, B = 2.5 m, C = 2.2 m, D = 0 m.

Size	Hot Water Supply			Cold Water Supply		
	Pipe Run / Qty of Elbows		Head Loss (mm)	Pipe Run / Qty of Elbows		Head Loss (mm)
15 mm Pipe	A x 120	<b>1.5 m</b> x 120	<b>180</b>	C x 120	<b>2.2 m</b> x 120	<b>264</b>
22 mm Pipe	B x 20	<b>2.5 m</b> x 20	<b>50</b>	D x 20	<b>0 m</b> x 20	<b>0</b>
15 mm Elbow	No of Elbows	<b>3</b> x 55	<b>165</b>	No of Elbows	<b>3</b> x 55	<b>165</b>
22 mm Elbow	No of Elbows	<b>2</b> x 15	<b>30</b>	No of Elbows	<b>0</b> x 15	<b>0</b>
	Add the minimum effective head required		<b>+80</b>	Add the minimum effective head required		<b>+80</b>
	Required head of water = x mm		<b><u>505</u></b>	Required head of water = x mm		<b><u>509</u></b>

## 4. Installation Diagrams

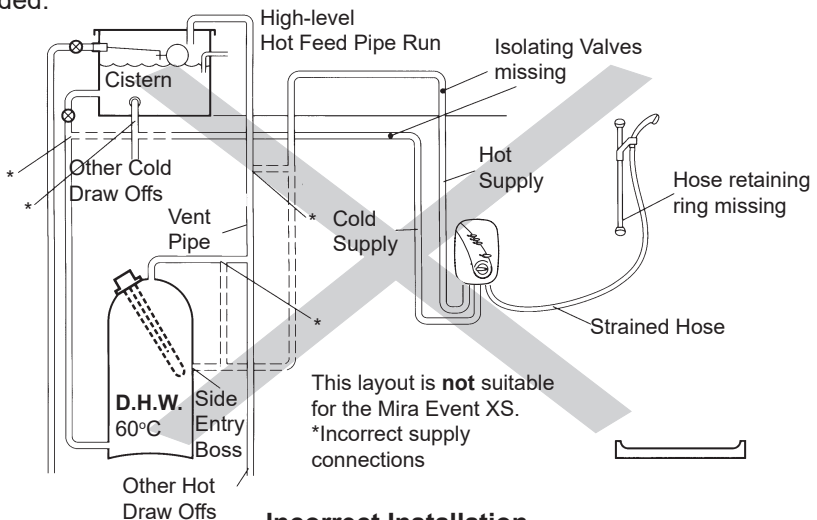
To prevent operational difficulties, the feed from the cylinder should be as illustrated below. Side entry cylinder bosses are not recommended because:

- A drop in cylinder water level could expose a top entry immersion element if fitted.
- Air-in-water solution gathers at the edge of the cylinder and in the centre, during the heating process before travelling up the vent.



**Correct Installation**

A high level hot feed pipe run as illustrated below will result in air locking and should be avoided.



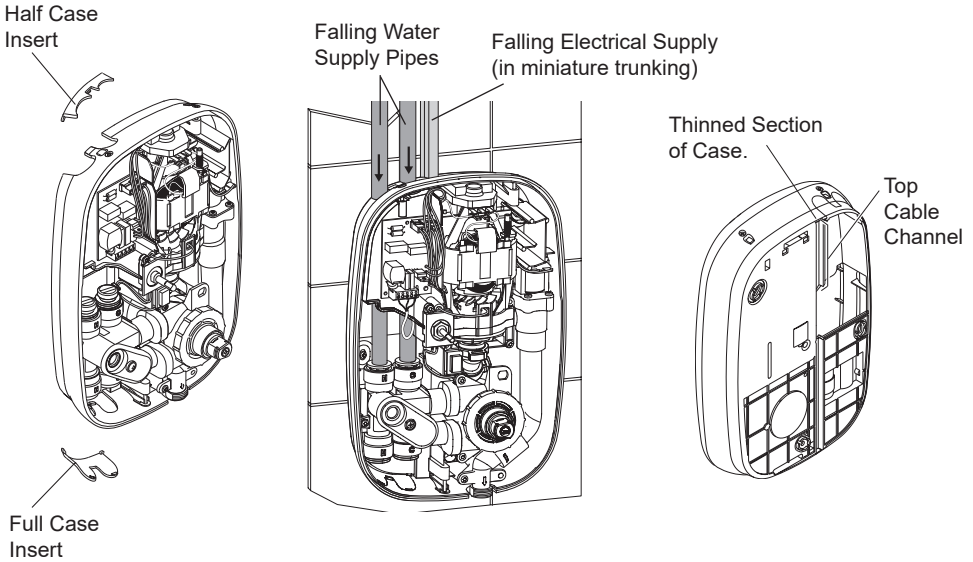
**Incorrect Installation**

# Installation

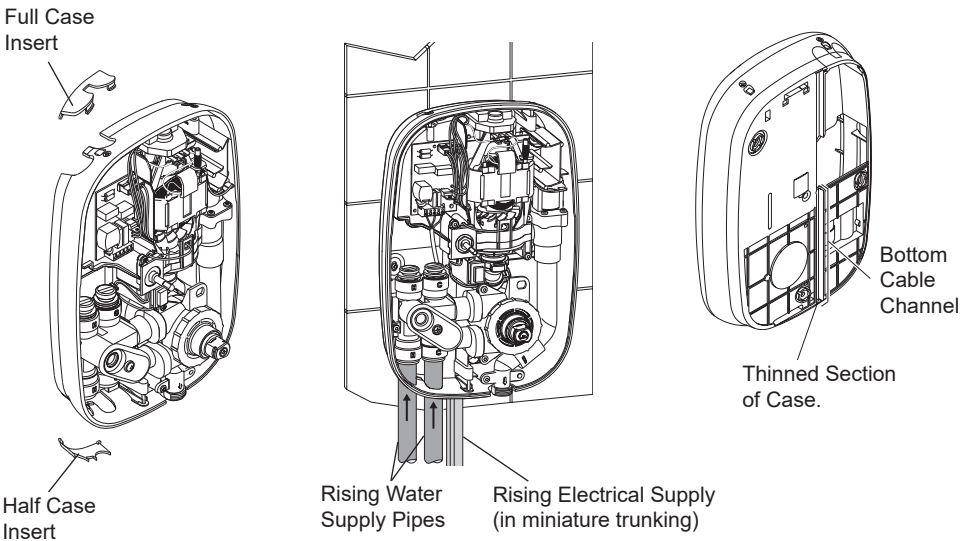
## 1. Before You Start

A. Choose the appropriate configuration for your installation:

### **TOP ENTRY SUPPLY CONFIGURATION**

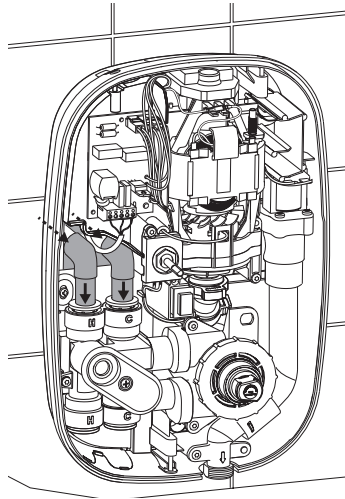
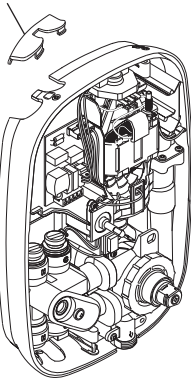


### **BOTTOM ENTRY SUPPLY CONFIGURATION**

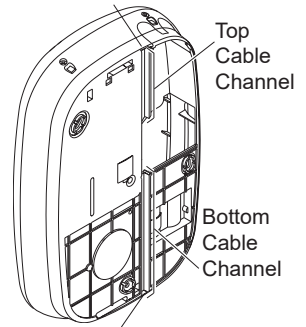


# WALL ENTRY SUPPLY CONFIGURATION

Full Case  
Insert



Thinned Section  
of Case.

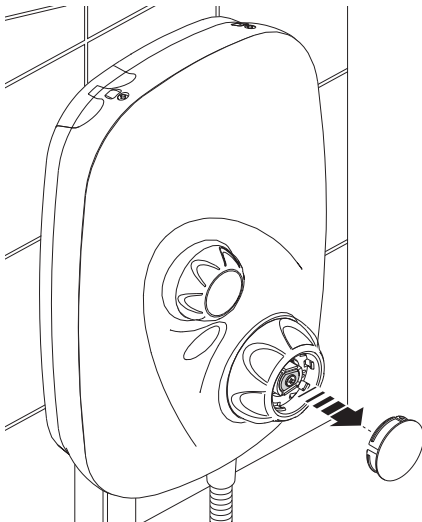


Half Case  
Insert

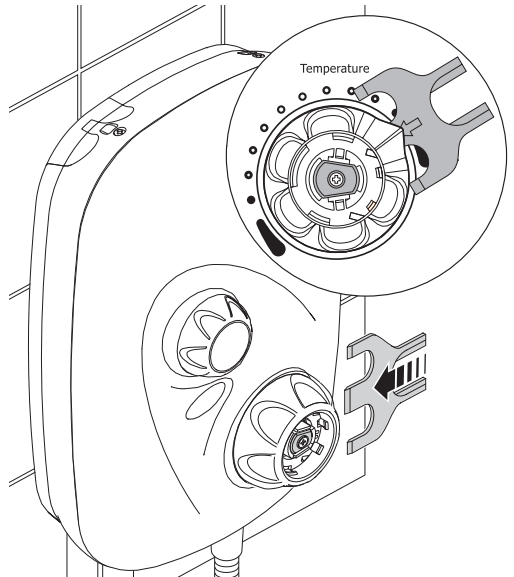


## B. Changing the Blanking Plugs

1

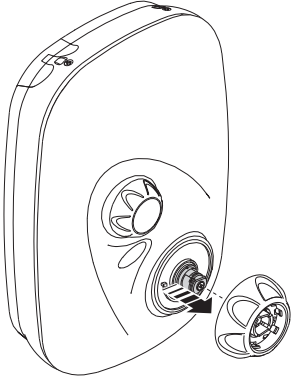


2

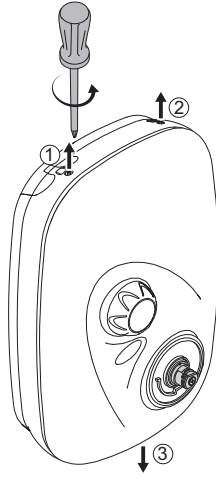




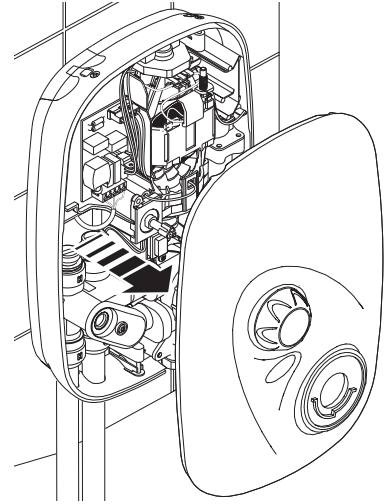
3



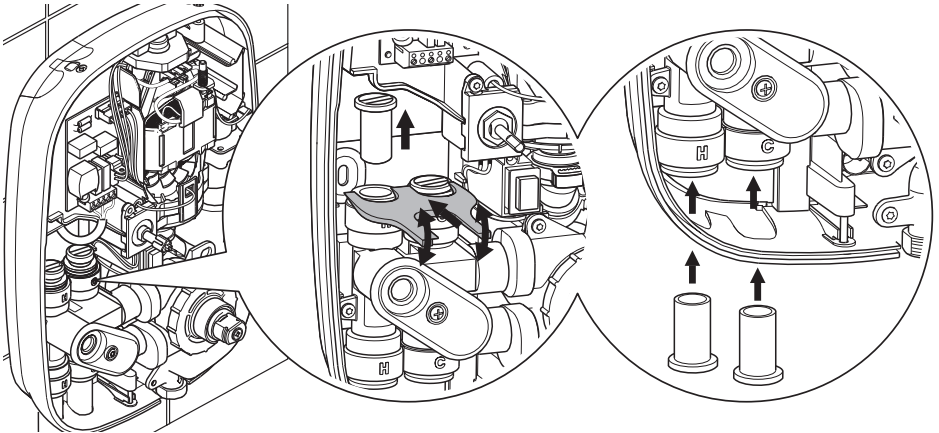
4



5



6

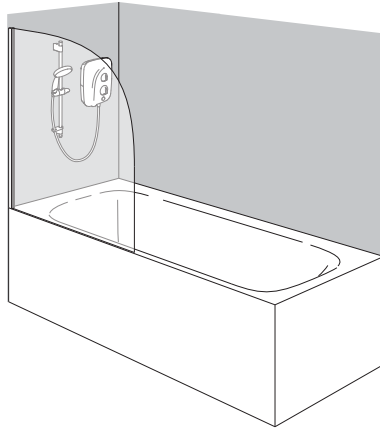
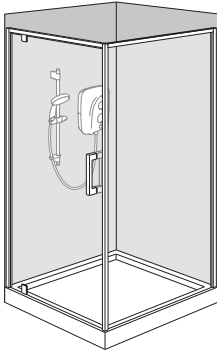


Using this procedure as a guide, adjust the steps for bottom entry configurations as appropriate.

# Installation of the Shower Unit

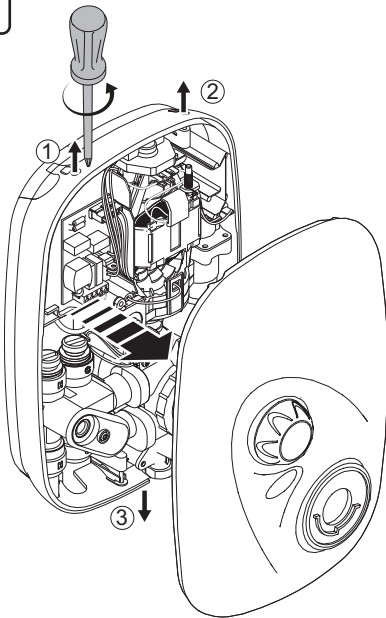
**Warning, isolate the electrical and water supplies before installing the shower!**

1



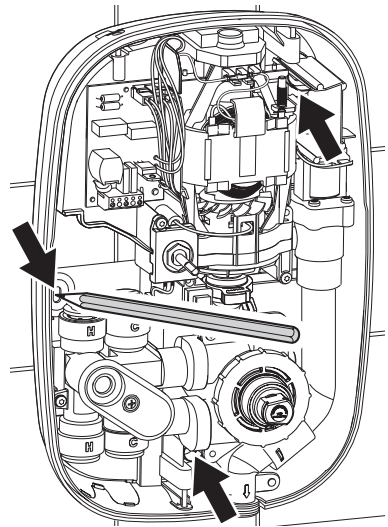
Decide on a suitable position for the shower unit and fittings.  
See **“Installation - Plumbing”** for further details.

2



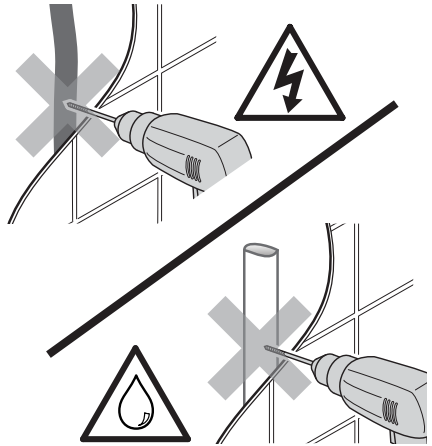
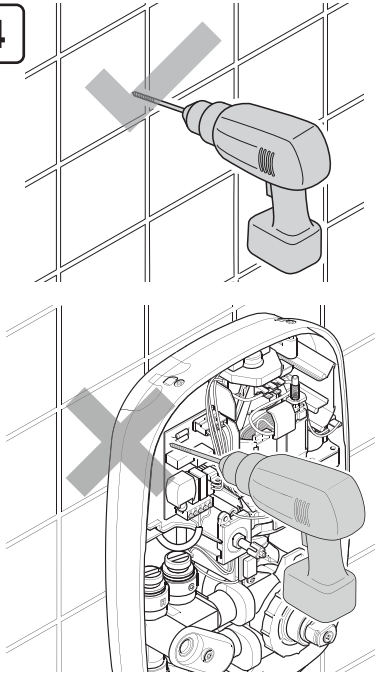
**Note!** The cover retaining screws are captive and need not be removed.

3



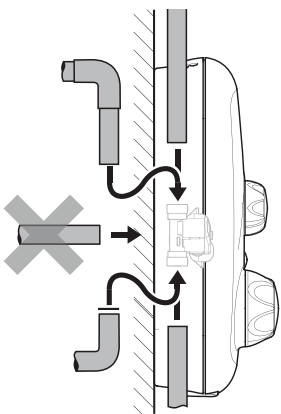
Hold the assembly against the wall and mark the positions of the 3 fixing holes.

4



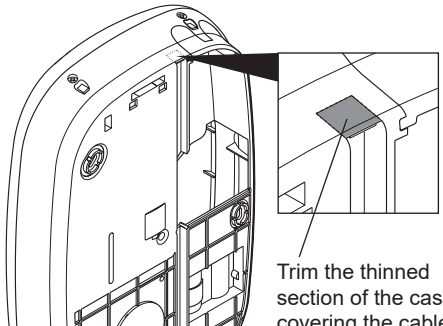
Drill the fixing holes.  
**DO NOT** drill through the shower unit into the wall.  
**DO NOT** drill into buried cables or pipes.

5



Feed the water pipe and electrical cable to the inlet of the shower unit. For rear inlet, use an elbow fitting. We recommend a falling supply to prevent air lock in the pipework.  
**Thoroughly flush the water supply pipe.**

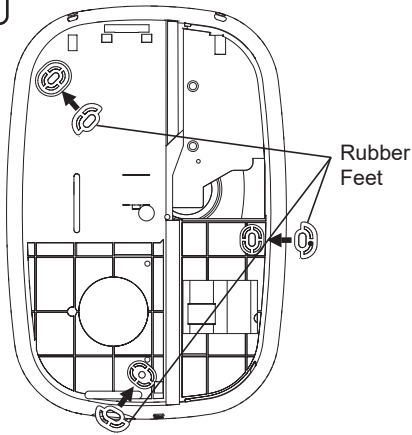
6



Trim the thinned section of the case covering the cable channel.

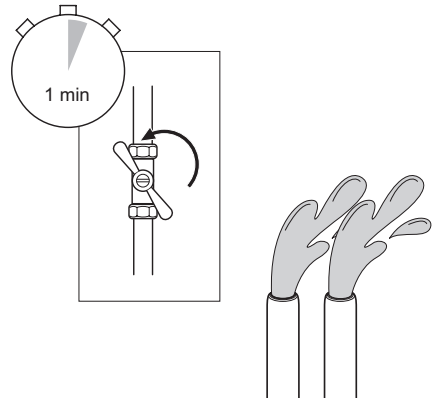
For a falling water supply pipe, carefully remove the thinned section of the rear case using an appropriate cutting tool.

7

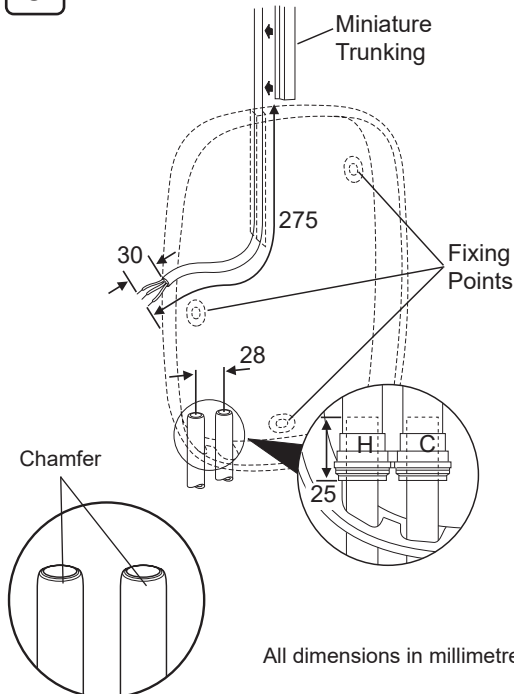


Fix the shower unit to the wall, 3 x No. 8 x 1¼" screws and wall plugs are supplied. See **"Installation - Plumbing"** for further details.

8



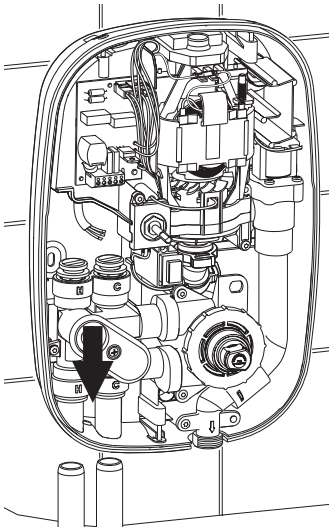
9



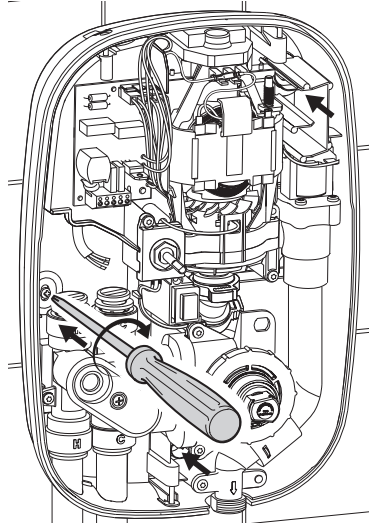
This product is designed to use 15 mm copper pipework only. **Do not** use any other pipework sizes.

**Caution! Do not** use stainless steel piping for inlet pipework. If chrome-plated copper pipework is used then all traces of chrome plate must be removed from the connecting surfaces. If the chrome is not completely removed then the inlet manifold collet will fail to grip the supply pipe and the pipes will be forced out of the inlet manifold due to the water supply pressure.

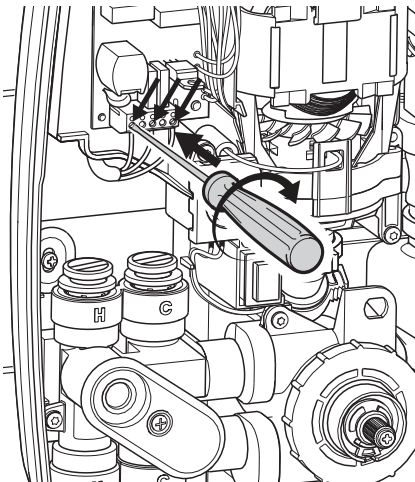
10



11

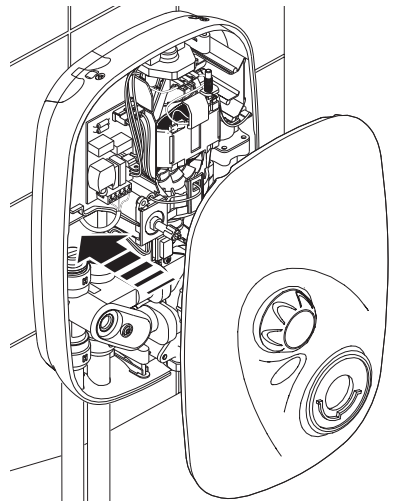


12

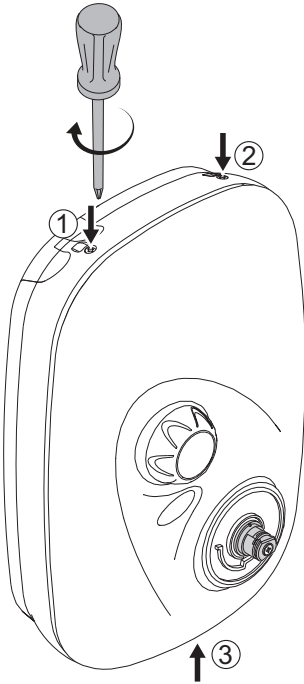


## Fitting the Cover

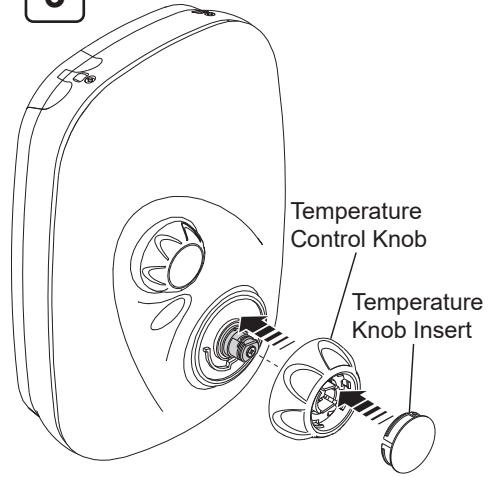
1



2

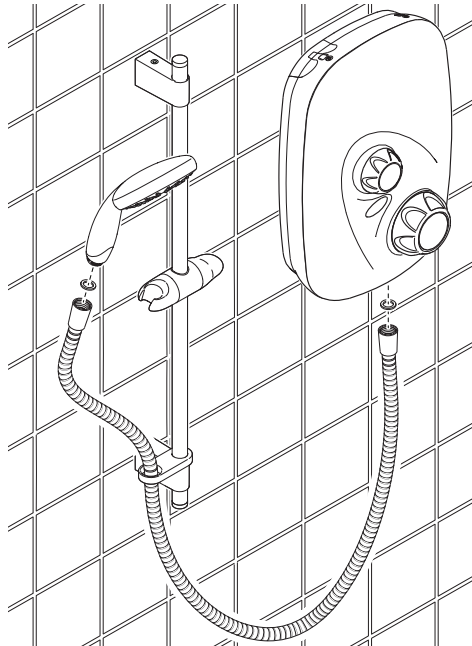


3



**Important!** Align & push the temperature control knob onto the temperature hub and ensure it fully clicks into position. Fit the insert to lock the knob in place (see Important Safety Information).

4

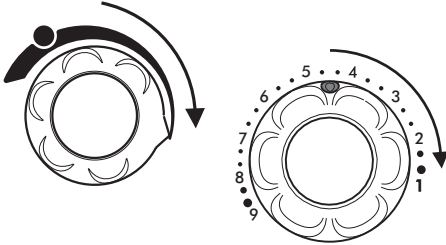


Install the shower fittings. Refer to the Installation and User Guide packed with the fittings.

# Commissioning

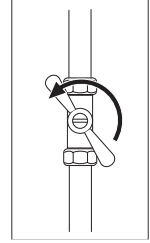
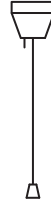
Follow this procedure to check the function and performance before using the shower for the first time. **Make sure that all users are familiar with the operation of the shower.** This guide is the property of the homeowner.

1



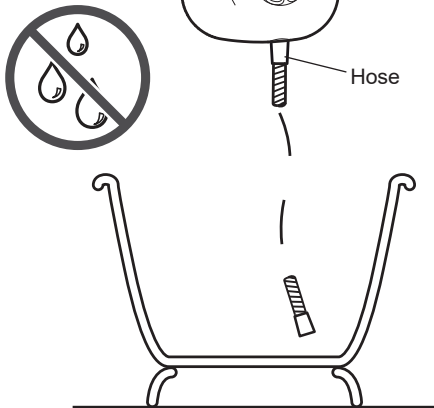
Turn power control to **low**.  
Turn temperature control to **full cold**.

2



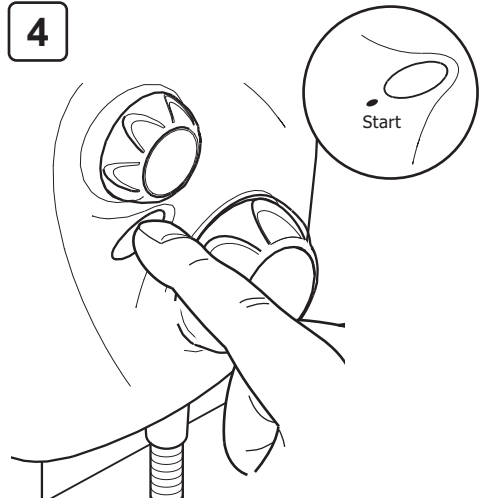
Switch electrical supply **on**.  
Turn on the water supply isolation valve.

3

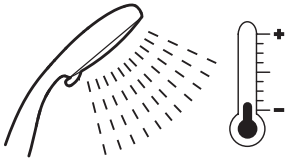
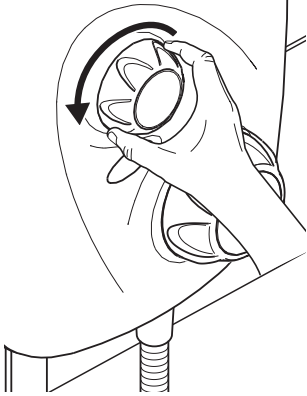
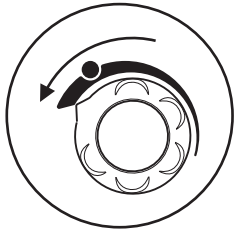


Check the shower unit for leaks.  
Place the shower hose into water catchment area. Fit the shower hose to the outlet of the shower (If installing the dual product use the short hose).

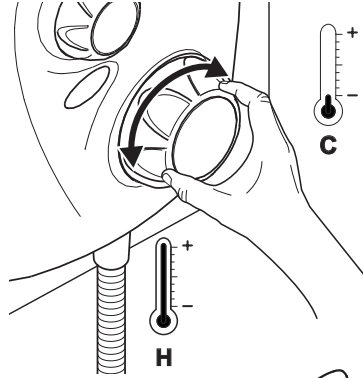
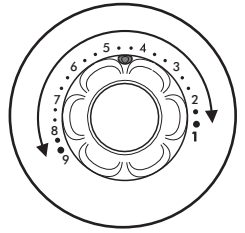
4



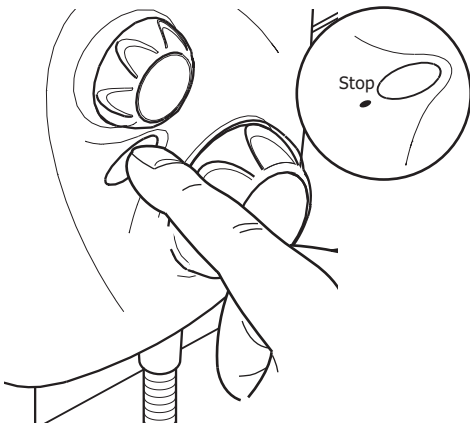
5



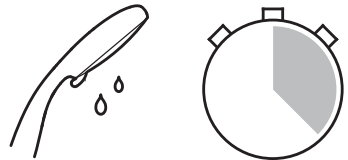
6



7



8



Residual water may drain for a few minutes.

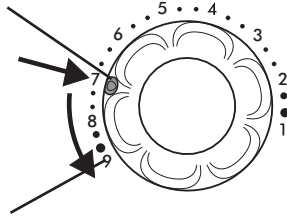


## 2. Adjustable Maximum Temperature Setting

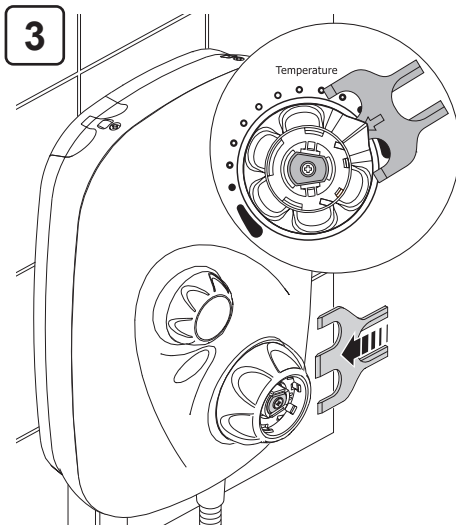
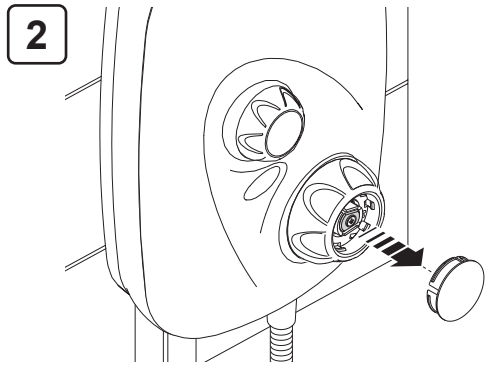
**Note!** An adequate supply of hot water at least 12°C above the required temperature must be available for correct operation of the shower control.

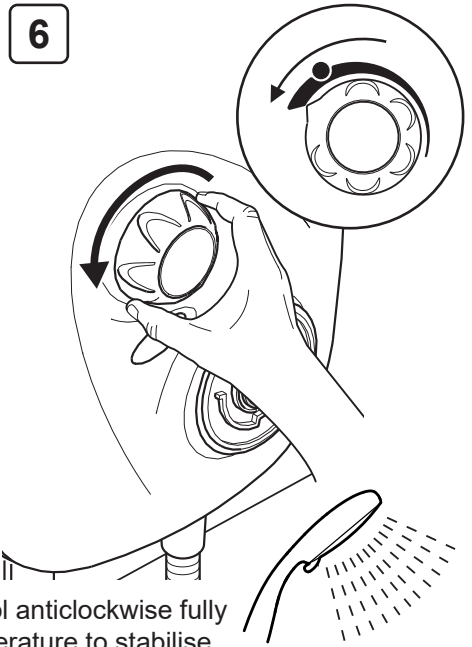
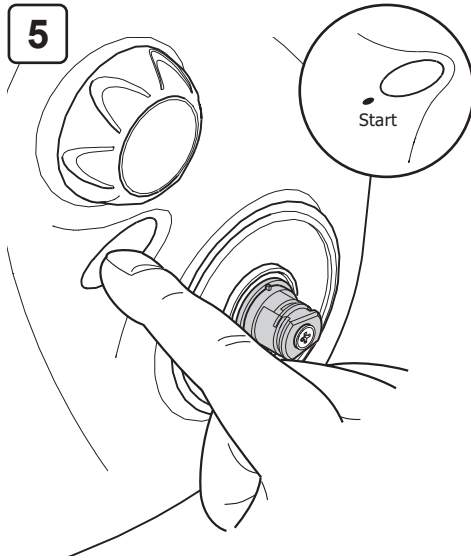
**Warning!** Resetting the temperature of the temperature stop will also reset the maximum temperature obtainable with the override operated.

Default Maximum  
Temperature Stop = 41°C

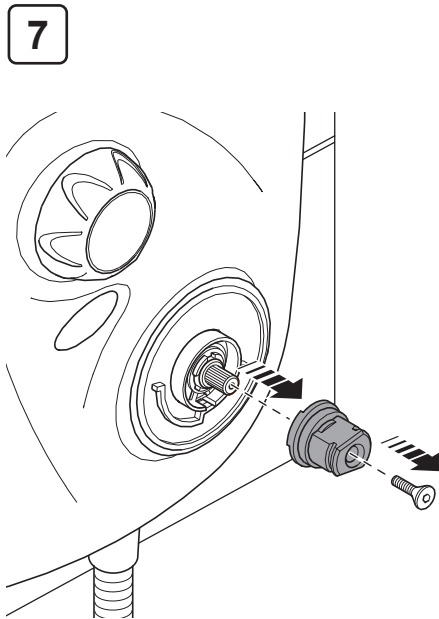


Override Maximum  
Temperature Stop = 46°C

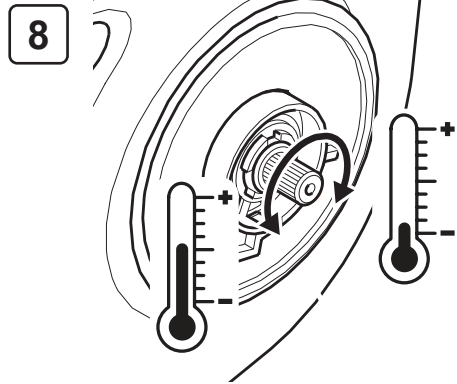




Start the Shower Unit. Turn the flow control anticlockwise fully (maximum flow) and allow the water temperature to stabilise.



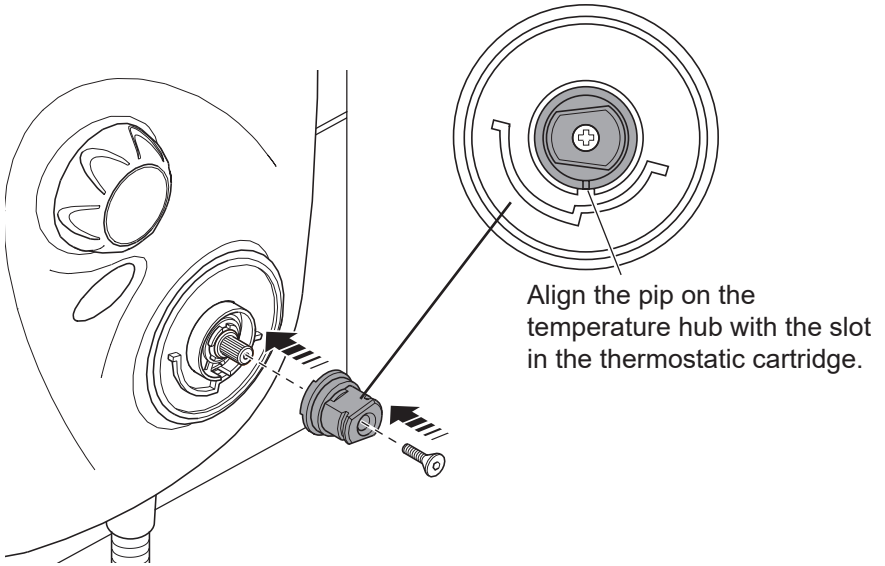
**Safety Note!** This will change the factory setting.



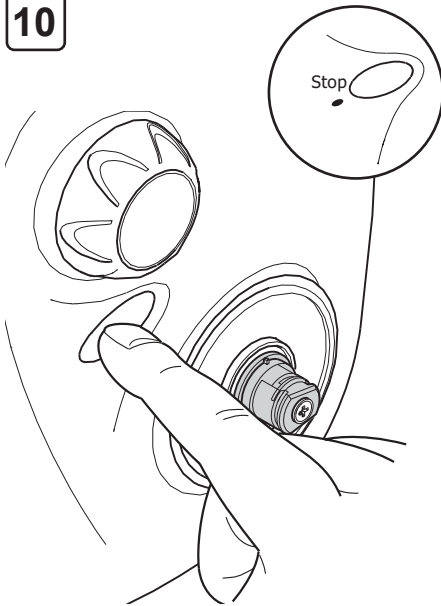
Turn the temperature spindle until the required maximum water temperature is obtained.

**Caution!** When resistance is felt **DO NOT USE FORCE** to turn the spindle any further as this is the **maximum obtainable temperature** from the appliance with the available hot water storage temperature. **FORCE** will **DAMAGE** the internal components.

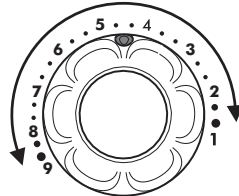
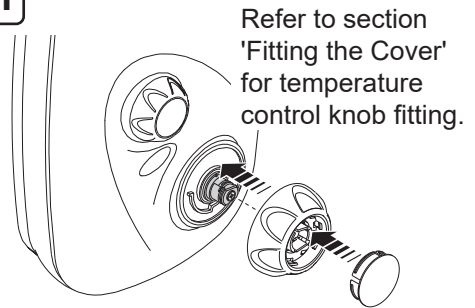
9



10



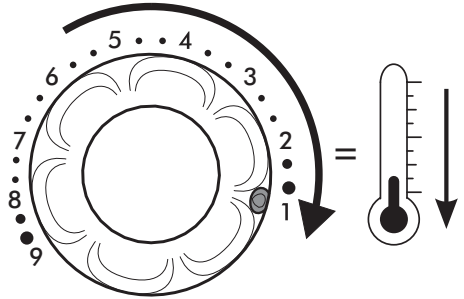
11



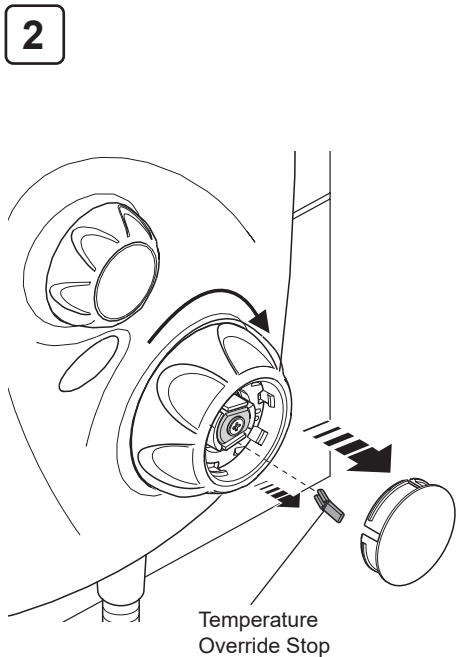
Check the maximum temperature setting. If necessary repeat the temperature adjustment until the correct the setting is achieved.

### 3. Temperature Override Button – Disable

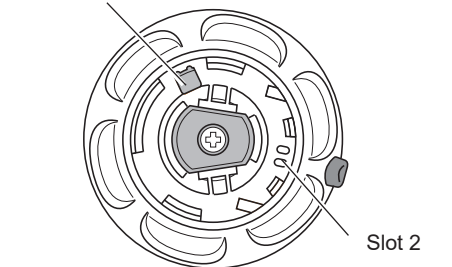
The Mira Event XS incorporates a temperature override button that allows the user to override the preset maximum temperature. This override button can be disabled, limiting the maximum selectable showering temperature to the preset value. This setting is recommended for the young, the elderly, the infirm, or anyone inexperienced in the correct operation of the controls.



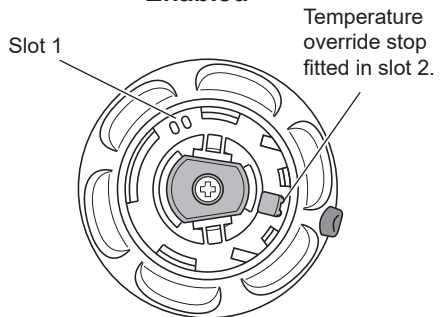
Turn the temperature control knob to full cold.



**3** Temperature override stop fitted in slot 1.

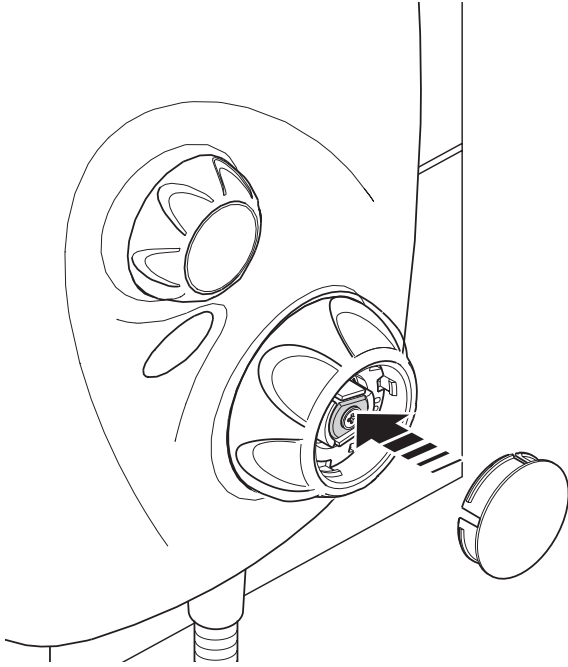


**Temperature Override Button - Enabled**



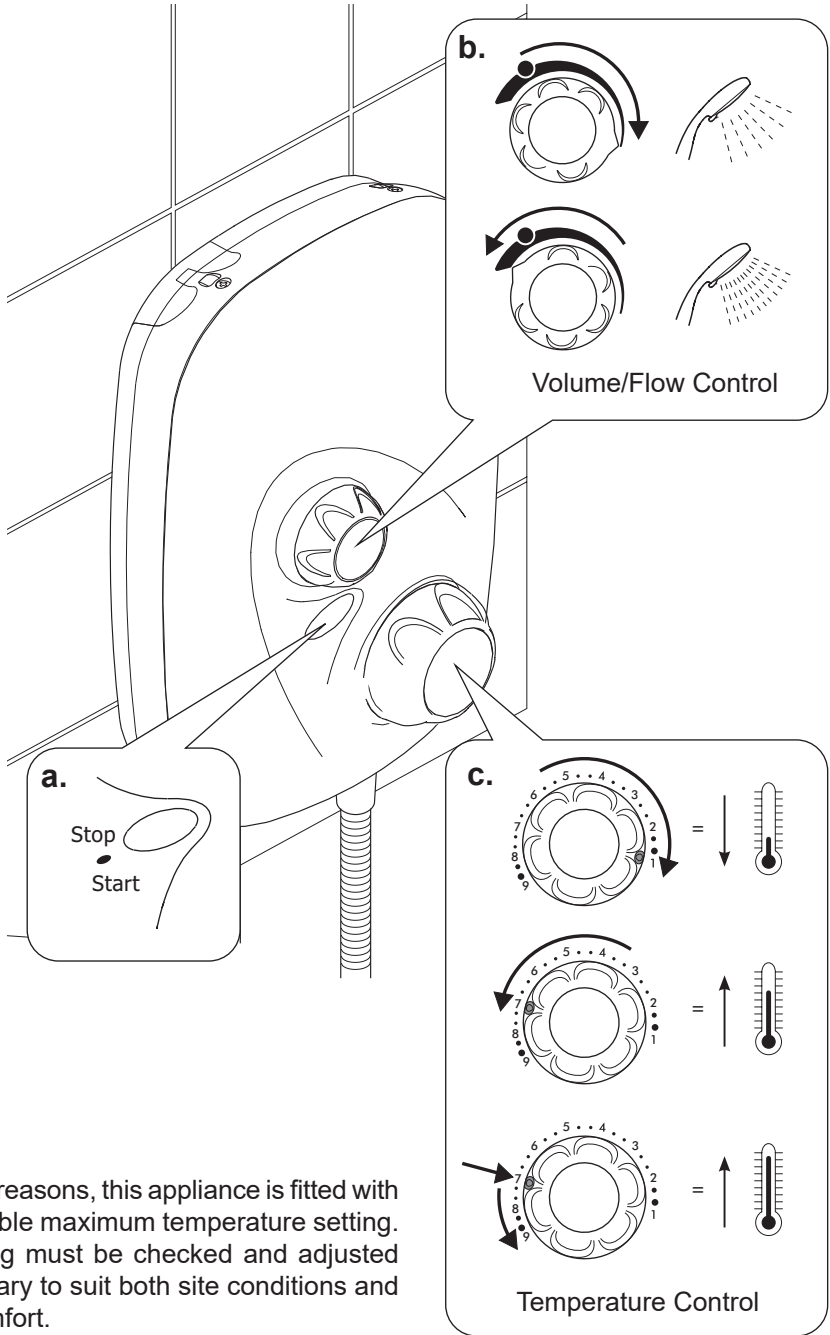
**Temperature Override Button - Disabled**

4



# Operation

See Important Safety Information before operating your shower.



For safety reasons, this appliance is fitted with an adjustable maximum temperature setting. This setting must be checked and adjusted as necessary to suit both site conditions and user's comfort.

# Fault Diagnosis

## 1. User Maintenance

The Mira Event XS is fully performance tested after assembly. Providing the Mira Event XS has been correctly installed and is operated as advised, difficulties should not arise. In the unlikely event that you experience problems with your appliance then the following procedure will enable you to undertake basic fault finding before contacting the person responsible for installing your shower.

<b>Malfunction</b>	<b>Cause</b>	<b>Remedy</b>
Maximum showering temperature too hot.	Maximum temperature incorrectly set.	Reset maximum temperature, refer to section: <b>'Commissioning'</b> .
Shower temperature too cold.	Hot water cylinder temperature less than 12°C above shower temperature.  Maximum temperature incorrectly set.	Adjust cylinder temperature. <b>Note!</b> It is recommended that the stored water temperature does not exceed <b>65°C</b> .  Reset maximum temperature, refer to section: <b>'Commissioning'</b> .
Blend temperature unstable.	Spray plate blocked.  Inlet filter blocked.  Isolating valve partially closed.  Plumbing system fault.	Clean spray plate. Refer to the Installation & User guide supplied with the shower fittings.  Contact your installer.  Open valve.  Contact your installer.
Pump does not operate.	Electrical supply failure.  PCB failure.  Motor overheated, thermal switch operated.	Contact your installer.  Contact your installer.  If the thermal switch operates repeatedly contact customer services for further advice.
Low or no water flow.	Isolating valves closed.  Inlet filters blocked.  Check valve fitted incorrectly.  Appliance sited above cold water storage cistern.  Plumbing system fault (airlock).	Open valves.  Contact your installer.  Contact your installer.  The appliance is not suitable for negative head installations. Refer to section: <b>'Installation Requirements'</b> .  Contact your installer.

## 2. Installer Maintenance

The Mira Event XS is one part of an entire plumbing system. The fitting of a pump places additional requirements on the plumbing system. Some systems may require plumbing modifications to allow them to cope with higher flow rates.

Providing the Mira Event XS has been correctly installed and is operated as advised, difficulties should not arise. Fault diagnosis and maintenance must be carried out by a competent person for whom the fault diagnosis table is provided.

In the event of any of the following tests failing, re-check as appropriate before contacting the Kohler Mira Ltd (our contact details can be found on the back cover of this guide).

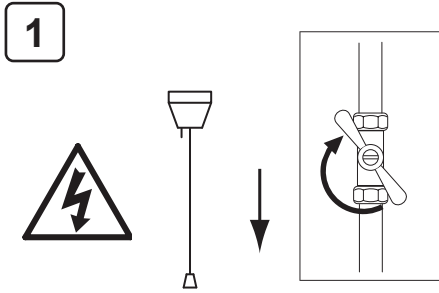
Malfunction	Cause	Remedy
Shower runs for a short time (30-60 seconds) then flow reduces, splutters or stops. Aggravated when other hot taps are in use. Less evident on full cold.	Air is being sucked down the vent pipe, as the hot take off to the shower is too high up the pipe.	Refer to plumbing system diagrams in section: <b>'Installation Requirements'</b> . Note the 1 metre hot take-off dimension. Consider increasing cold feed pipe to cylinder to 28 mm diameter.
Shower runs cool after a short time (1–2 minutes) then flow splutters.	Air ingress into hot pipework.	Refer to plumbing system diagrams in section: <b>'Installation Requirements'</b> .
Flow of water virtually stops and surges on/off, after a few minutes.	Insufficient storage of cold water in cistern (230 litres recommended).	Increase storage of cold water cistern.
Shower runs cold after 5–10 minutes.	Insufficient storage of hot water in cylinder.	Increase storage of hot water.
Shower temperature affected by use of adjacent hot/cold tap.	Insufficiently sized pipework for both systems to be used together.	Increase pipe sizes or separately feed shower. Refer to plumbing system diagrams in the section: <b>'Installation Requirements'</b> .
Maximum shower temperature too hot.	Incorrect setting of maximum temperature.	Reset maximum temperature, refer to section: <b>'Commissioning'</b> .
Shower temperature too cold.	<p>Maximum temperature incorrectly set.</p> <p>Hot water cylinder temperature less than 12°C above shower temperature.</p>	<p>Reset maximum temperature, refer to section: <b>'Commissioning'</b>.</p> <p>Adjust cylinder temperature. <b>Note!</b> It is recommended that the stored water temperature does not exceed <b>65°C</b>.</p>



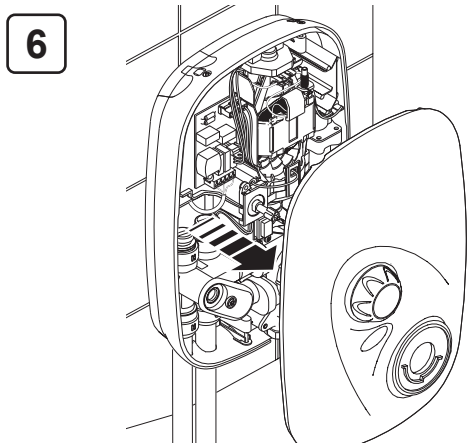
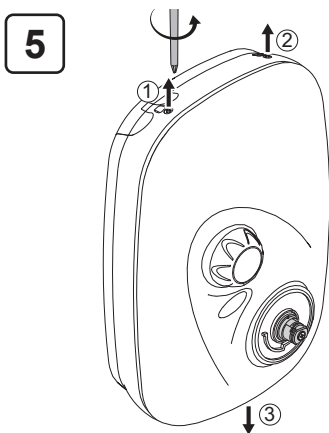
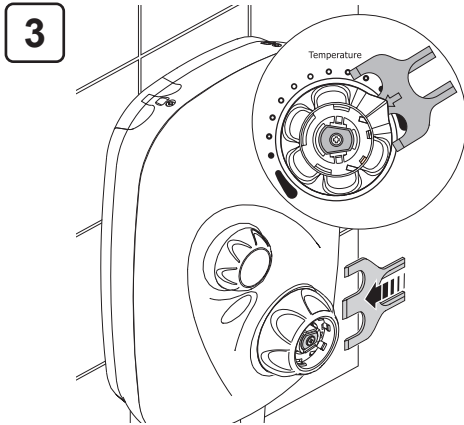
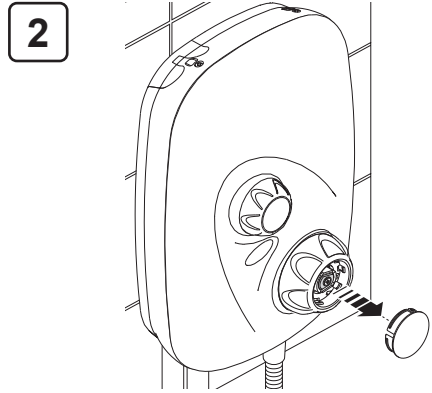
Blend temperature unstable.	Inlet filter blocked. Isolating valve partially closed. Spray plate blocked.	Clean filters. Open valve. Clean spray plate. Refer to the Installation and User guide supplied with the shower fittings.
Drip from shower head.	Solenoid valve defective.	Renew the solenoid assembly.
Pump does not operate.	Electrical supply failure. PCB failure. Motor overheated, thermal switch operated.	Check power supply. Renew the PCB. If the thermal switch operates repeatedly contact Kohler Mira for further advice.
Pump speed does not change.	PCB failure.	Renew the PCB.
Low or no water flow.	Isolating valves closed. Inlet filters blocked. Check valve fitted incorrectly. Appliance sited above cold water storage cistern. Plumbing system fault (airlock). Blocked spray plate.	Open valves. Clean filters, refer to section: <b>'Maintenance'</b> . Check, refer to section: <b>'Maintenance'</b> . The appliance is not suitable for negative head installations, refer to section: <b>'Installation Requirements'</b> . Reroute the pipework to avoid airlock. Clean spray plate. Refer to the Installation and User guide supplied with the shower fittings.
Pump does not stop.	Microswitch failure. PCB failure.	Renew the harness assembly. Renew the PCB.

# Maintenance

## Front Cover – Removal

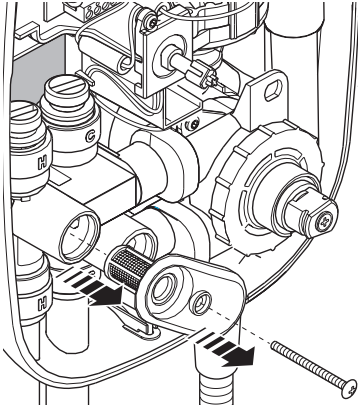


Switch electrical supply **Off**.  
Turn **off** the water supply isolation valve.

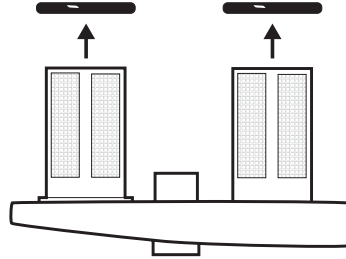


## Inlet Filter Cap, Cleaning – Removal and Installation

1

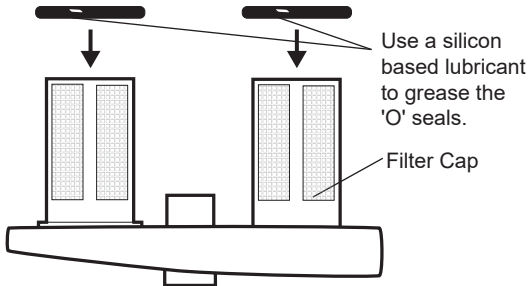


2

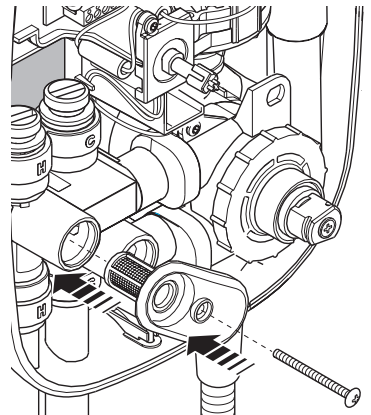


Thoroughly clean both the inlet filter meshes. Inspect the 'O' seals and renew if required. Before refitting the inlet filter cap lightly grease 'O' seals with a silicone based lubricant.

3

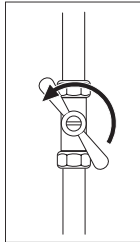


4



- Install the front cover, refer to section: **'Fitting the Cover'**

5



Turn the water supply **on** and check the shower unit for leaks.

6



Switch electrical supply **on**.

- Commission the Mira Event XS, refer to section: **'Commissioning'**.

# Cleaning

---

Always read the **IMPORTANT SAFETY INFORMATION** for your shower.

## Cleaning the showerhead

Many household and commercial cleaners, including hand and surface cleaning wipes contain abrasive and chemical substances that can damage plastics, plating and printing and should not be used. These finishes should be cleaned with a mild washing up detergent or soap solution, and then wiped dry using a soft cloth.

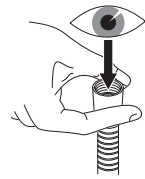
It is **IMPORTANT** to keep the Showerhead and Hose clean and free from blockage to make sure your shower performs to its optimum. The showerhead **MUST** be regularly cleaned and the hose **MUST** be regularly inspected to ensure there is no internal collapse or blockage that could reduce the flow.



Use your thumb or a soft cloth to wipe any limescale from the soft nozzles



Unscrew the hose from the showerhead and the shower outlet.

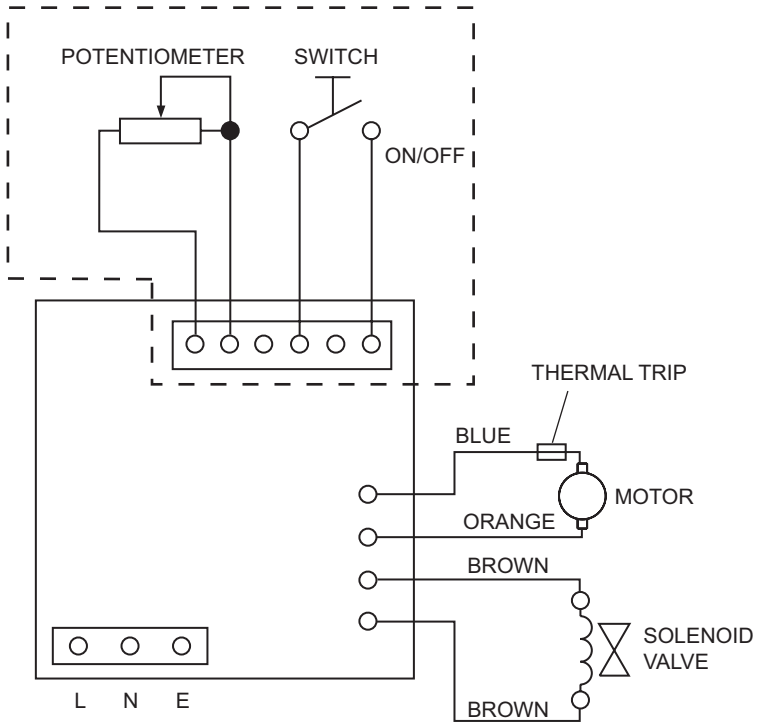


Inspect the hose.

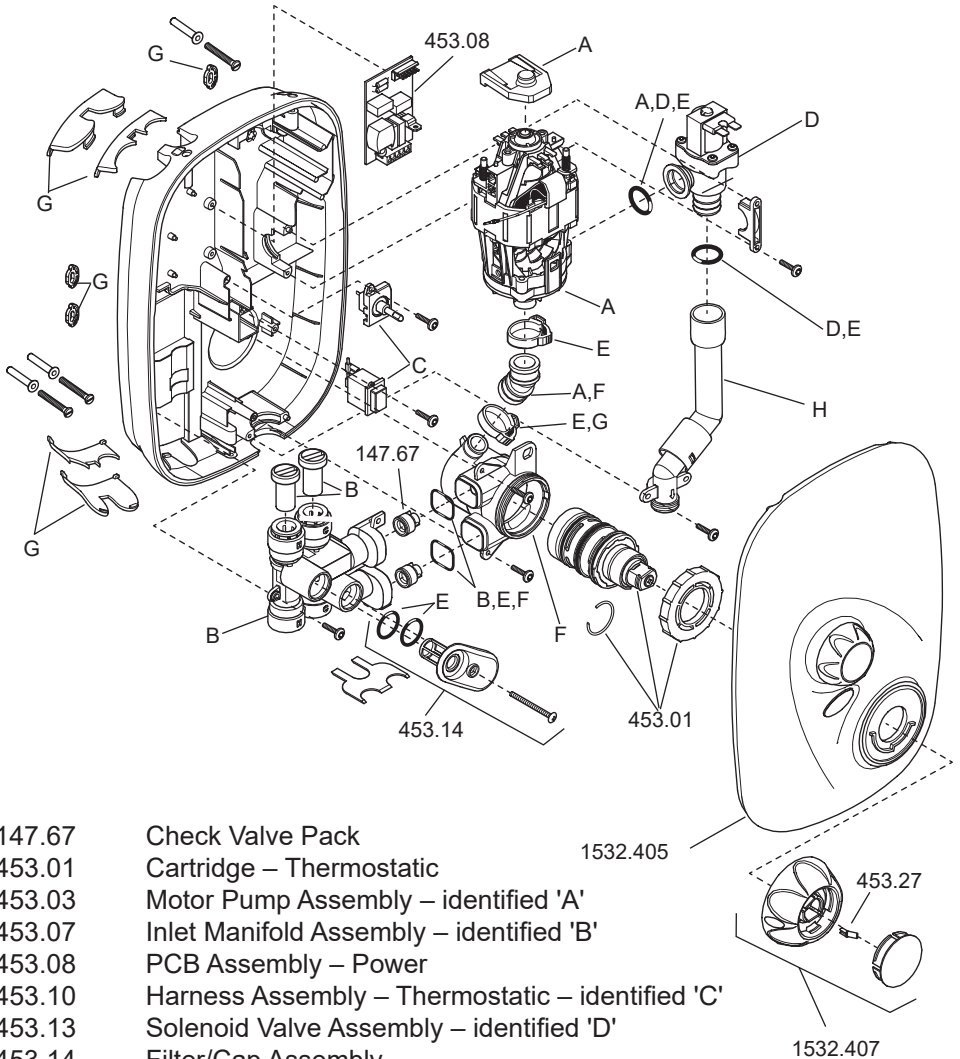
**Warning!** Failure to keep the showerhead nozzles clear or inspect the hose for blockage or internal/external collapse can restrict the flow rate from the shower. This may cause damage to the shower or result in the temperature delivered to the user rising to unsafe levels with a risk of scalding. You **MUST ALWAYS** check the temperature before using the shower.

# Wiring Diagram

---



# Spare Parts



- 147.67 Check Valve Pack
- 453.01 Cartridge – Thermostatic
- 453.03 Motor Pump Assembly – identified 'A'
- 453.07 Inlet Manifold Assembly – identified 'B'
- 453.08 PCB Assembly – Power
- 453.10 Harness Assembly – Thermostatic – identified 'C'
- 453.13 Solenoid Valve Assembly – identified 'D'
- 453.14 Filter/Cap Assembly
- 453.15 Seal Pack – identified 'E'
- 453.23 Mixer Valve Body – identified 'F'
- 453.27 Temperature Override Stop
- 453.28 Outlet Elbow Assembly – identified 'H'
- 1532.405 Cover Assembly – Thermostatic
- 1532.407 Temperature Knob Assembly – Thermostatic
- 1532.409 Inserts/Rubber Feet Pack – Power – identified 'G'

# Notes

---

# Customer Service

## Guarantee

Your product has the benefit of our manufacturer's guarantee which starts from the date of purchase. This guarantee only applies in the United Kingdom and Republic of Ireland.

### Activating Your Guarantee

Registering your guarantee is quick and simple. To ensure your product is covered, please register online.



Scan the QR code to activate your guarantee now or call 0800 5978551 within 30 days of purchase (UK only).

### What is Covered:

- The guarantee applies solely to the original installation under normal use.
- The product must be installed and maintained in accordance with the instructions given in this guide.
- Servicing must only be undertaken by us or our appointed representative.
- Repair under this guarantee does not extend the original expiry date. The guarantee on any replacement parts or product ends at the original expiry date.
- For shower fittings or consumable items we reserve the right to supply replacement parts only.

### The guarantee does not cover:

- Call out charges for non product faults (such as damage or performance issues arising from incorrect installation, improper use, inappropriate cleaning, lack of maintenance, build up of limescale, frost damage, chemical attack, corrosion, system debris or blocked filters) or where no fault has been found with the product.
- Water or electrical supply, waste and isolation issues.
- Routine maintenance or replacement parts to comply with the requirements of Building / Plumbing / Electrical Standards or Schemes.
- Compensation for loss of use of the product or consequential or indirect loss of any kind.
- Damage or defects caused if the product is repaired or modified by persons not authorised by us or our appointed representative.
- Accidental or wilful damage.
- Products purchased ex-showroom display.
- Disinfection or descaling to reduce bacterial growth or contamination.

## What to do if something goes wrong

If your product is not working correctly please refer to this manual for fault diagnosis and to check that it is installed and commissioned in accordance with our instructions. If this does not resolve the issue, our Customer Services team are here to help get you back up and running. To help us solve your problem quickly, please have your product name, power rating (if applicable) and date of purchase to hand.

### Visit [www.mirashowers.co.uk](http://www.mirashowers.co.uk)

Visit our website to register your guarantee, book a service visit, diagnose faults and purchase products.

### Spares and Accessories

We stock a full range of spare parts and fittings and are all available to purchase either online or over the phone. Our online spare parts selector tool will help you quickly and easily identify the spare part for your product.

Visit [www.mirashowers.co.uk/parts-accessories](http://www.mirashowers.co.uk/parts-accessories)

### Replacements and Repairs

In the unlikely event that your product needs a repair, our nationwide repairs and installation team are here to help. You can book a convenient date and time online.



Scan the QR code to book a service visit now or visit [www.mirashowers.co.uk/support/repair-services/repair-service](http://www.mirashowers.co.uk/support/repair-services/repair-service)

We also offer a comprehensive replacement service for when your product needs a little refresh, visit our website or contact our team for more information on our replacement services.

### Help us improve

Your experience is important to us and your review (whether good, bad or otherwise) will be posted on [Trustpilot.com](http://Trustpilot.com) immediately to help other people make more informed decisions.

Visit [uk.trustpilot.com/review/www.mirashowers.co.uk](http://uk.trustpilot.com/review/www.mirashowers.co.uk)

### Need to get in touch?

#### UK

T: 0800 001 4040  
E: [askus@mirashowers.com](mailto:askus@mirashowers.com)  
[www.mirashowers.co.uk](http://www.mirashowers.co.uk)

#### Eire

T: 01 531 9337  
E: [customerserviceire@mirashowers.com](mailto:customerserviceire@mirashowers.com)  
[www.mirashowers.ie](http://www.mirashowers.ie)

Mira is a registered trade mark of Kohler Mira Limited.

The company reserves the right to alter product specifications without notice.

Registered Office:  
Cromwell Road,  
Cheltenham,  
Gloucestershire  
GL52 5EP

EU Importer address  
K/E S.A.S.  
3 rue de Brennus,  
93631, La Plaine Saint-Denis,  
France



**mira**  
SHOWERS