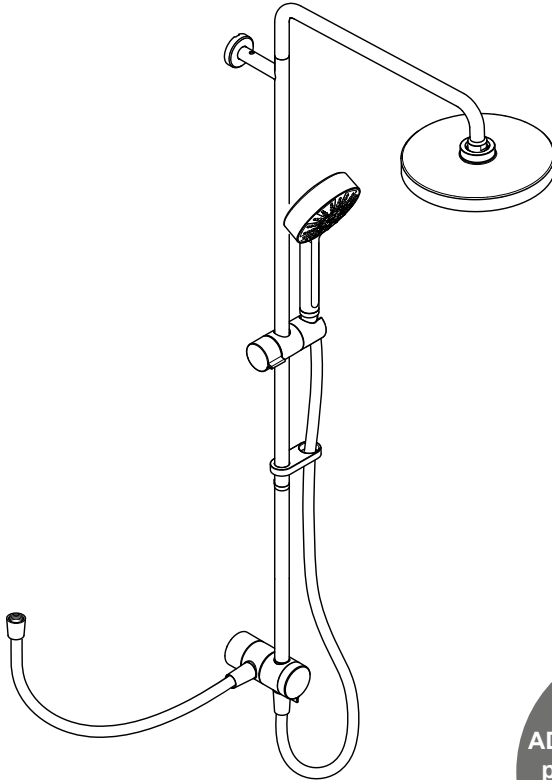


Dual Outlet Shower Fittings



For SPARES,
ADVICE or REPAIRS
please call us free
on 0800 001 4040
(UK only)

These instructions must be left with the user

Installation and User Guide

Showering perfection

mira
SHOWERS

Introduction

Thank you for choosing a Mira showers. To enjoy the full potential of your new shower fittings, please take time to read this guide thoroughly, and keep it handy for future reference.

Guarantee

Mira Showers guarantee this product against any defect in materials or workmanship for a period of **one** year for the shower fittings, and **two** years for the diverter. This is effective from the date of purchase.

Failure to follow the instructions provided with the shower fittings will invalidate the guarantee.

For Terms and Conditions refer to the '**Customer Service**'.

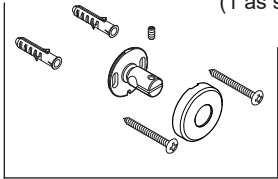
Recommended Usage

Domestic	✓
Light Commercial	✗
Heavy Commercial	✗
Healthcare	✗

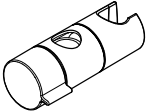
These fittings are designed for use with electric showers only.

Pack Contents

- 2 x O-rings
(2 as spare)
- 2 x Grubscrew
(1 as spare)



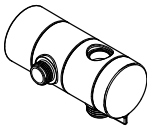
1 x Wall Fixing



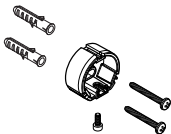
1 x Clamp Bracket



1 x Hose Retaining Ring

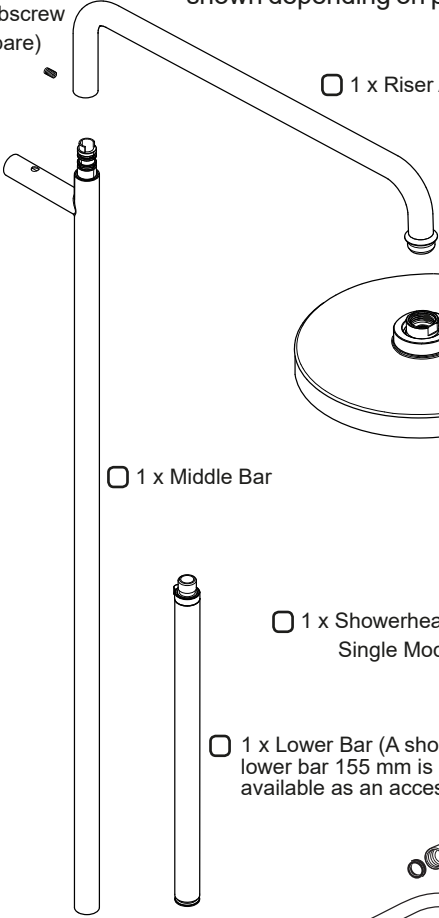


1 x Diverter Assembly

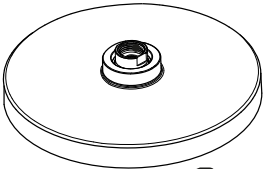


1 x Riser Fixing Kit

Note: Showerheads may differ from shown depending on product purchased.

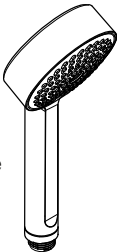


1 x Riser Arm



1 x Overhead

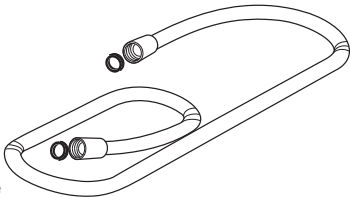
1 x Middle Bar



1 x Showerhead
Single Mode

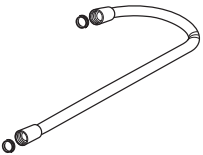


1 x Lower Bar (A shorter lower bar 155 mm is available as an accessory)



1 x Shower Hose

2 x Hose Seal



1 x Diverter Hose 600 mm (Longer 1.0 m hose available as an accessory)

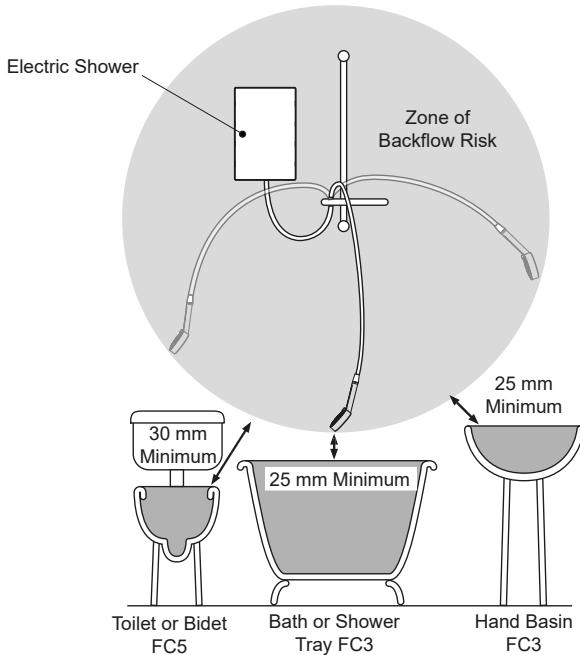
2 x Hose Seal

General

Please read the important safety information and the operation section of this guide before using the shower fittings. Failure to follow the instructions provided with this shower fittings will invalidate the guarantee.

1. Installation of the shower fittings must be carried out in accordance with these instructions by qualified, competent personnel. Read all instructions for products being used in conjunction with these fittings.
2. The plumbing installation must comply with all national or local water regulations and all relevant building regulations, or any particular regulation or practice specified by the local water supply company.
3. A water treatment device should be installed where the water hardness may exceed 200 ppm. Malfunctions caused by excessive limescale formation are not covered by this shower's guarantee (see back page for details).
4. The showerhead should be positioned so that it discharges down the centre line of the bath or across the opening of a shower cubicle. The finished position of the overhead shower should also be considered to prevent water spraying directly on to the shower unit. The showerhead must be directed away from the shower unit, during normal use the showerhead must not spray directly on to the shower unit.
5. **DO NOT** fit any form of flow control in the outlet pipe work if the shower fittings are installed in conjunction with a product that requires the fittings to act as a vent (e.g. an electric shower).
6. **DO NOT** use excessive force when making connections.
7. Avoid layouts where the shower hose will be sharply kinked. This may reduce the life of the hose.
8. Special consideration should be given to the fixing arrangements when installing onto a dry lined, stud partition, shower cubicle or laminated panel wall structures. Installers may wish to obtain alternative proprietary cavity fixings, or choose other options, however, these methods of fixing are beyond the scope of this guide.

9. **DO NOT** install the shower or fittings where they may be exposed to freezing conditions.
10. The position of the shower fittings must provide a minimum air gap of 25 mm between the showerhead and the spill over level of any bath, shower tray or basin. There must be a minimum distance of 30 mm between the showerhead and the spill over level of any toilet, bidet or other appliance with a Fluid Category 5 backflow risk.



Hose retaining ring fitted and shower fittings fixed at a suitable height preventing dirty water backflow

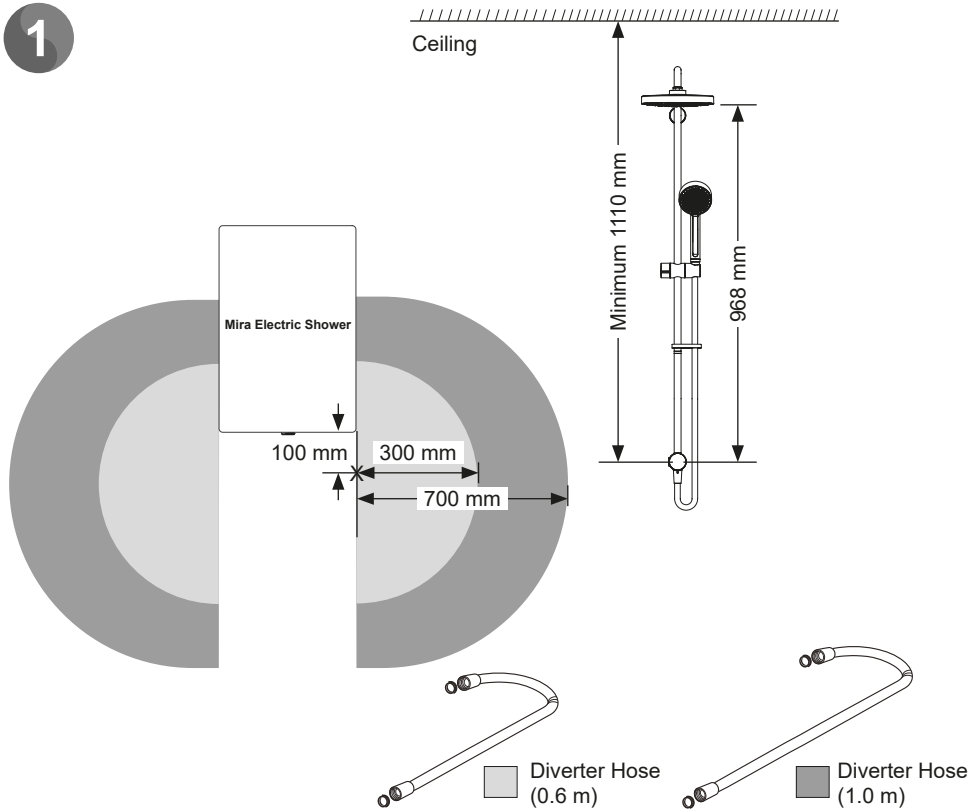
Note: There will be occasions when the hose retaining ring will not provide a suitable solution for Fluid Category 3 installations, in these instances an outlet double check valve must be fitted, this will increase the required supply pressure typically by 10kPa (0.1 bar). Double check valves fitted in the inlet supply to the appliance cause a pressure build up, which affect the maximum static inlet pressure for the appliance and must not be fitted. For Fluid category 5 double check valves are not suitable.

Important Safety Information

1. These fittings can be used by all children and persons with reduced physical, sensory or mental capabilities or lack of experience and knowledge if they have been given supervision or instruction concerning use of them in a safe way and understand the hazards involved.
2. Children shall not be allowed to play with the shower.
3. Cleaning and user maintenance shall not be made by children without supervision.
4. The showerheads must be descaled regularly. Any blockage of the showerheads or hose can cause damage to the shower.
5. **DO NOT** change the handset model. Fit only shower heads recommended by Mira and do not fit any additional device to restrict the water outlet flow.
6. **Caution!** Always check the water temperature is safe before entering the shower.

Install the Shower Fittings

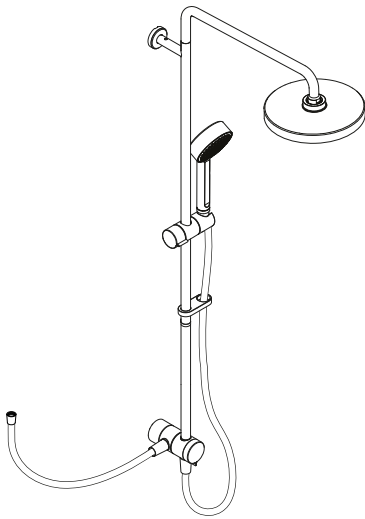
1



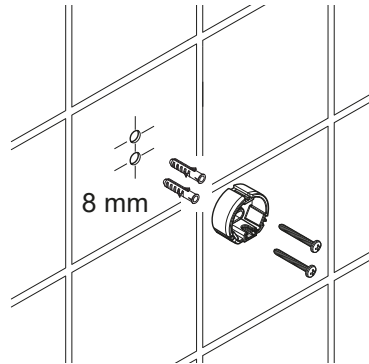
If the diverter is positioned outside of the light grey area as shown in the diagram a longer link hose is available up to 1.0 m max in length.

Note: Ensure the position of the diverter valve for the dual head product allows for easy connection of the short supplied hose and the overhead is at a suitable height for all users.

Note: The dual outlet shower diverter that comes with this product is designed specifically for electric showers. DO NOT fit any other type of diverter to electric showers.



2



Refer page 7 for positioning of the shower fittings and diverter.

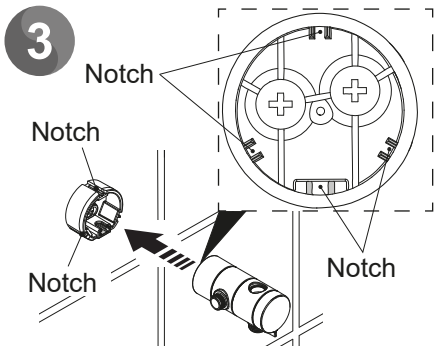
Important! DO NOT allow the overhead or handset spray water directly on to the electric shower. The overhead and handset must be positioned so this does not occur.

We recommend that the diverter wall plate should be installed not more than 0.3 meter (Refer to image on page 7) away (this is to ensure that the shorter interconnecting hose can be connected) from shower outlet. Mark the wall fixing positions and drill two holes to suit the diverter wall plate. (Ideally this should be in the centre of a tile and not on a grout line.)

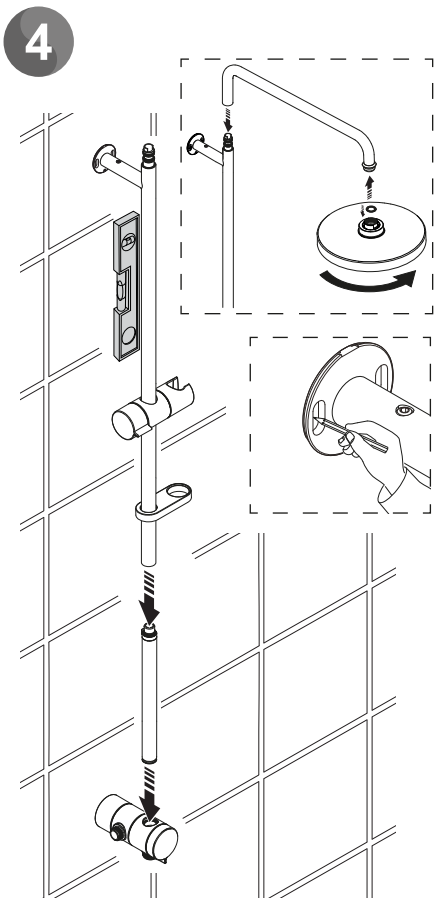
Note: A special longer 1.0 m hose is available as a spare part if the position of the shower fittings cannot be installed as shown. Contact Mira Customer Service.

Caution! DO NOT drill into cables or pipes in the wall.

Insert the wall plugs and fix the diverter wall plate and secure with the wall screws supplied.



Slide the diverter partially over the wall plate ensuring the notches in the diverter lines up with the notches on the wall plate and fix temporarily in place.



Fit the clamp bracket and hose retaining ring onto the middle bar, then screw into the lower bar. Loosely fit the wall bracket into the middle bar arm with the grubscrew hole at the top.

Push the riser arm onto the middle arm. **DO NOT** install the grub screw until step 6, as it may damage the O-rings.

Caution! Be careful not to damage seals.

Note: Spare O-rings are supplied if they are damaged during installation.

Fit the overhead.

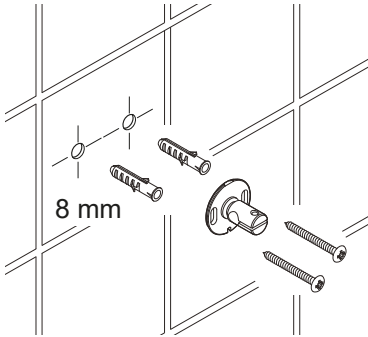
Make sure that the lower bar is pushed fully into the diverter to engage the seal. Failure to do so will position the wall bracket incorrectly and may result in a leak from around the outlet of the diverter.

Mark holes for the vertical wall fixing bracket. Use the middle arm assembly as a guide and ensure it is vertical.

Remove assembled bar along with diverter and wall fixing bracket.

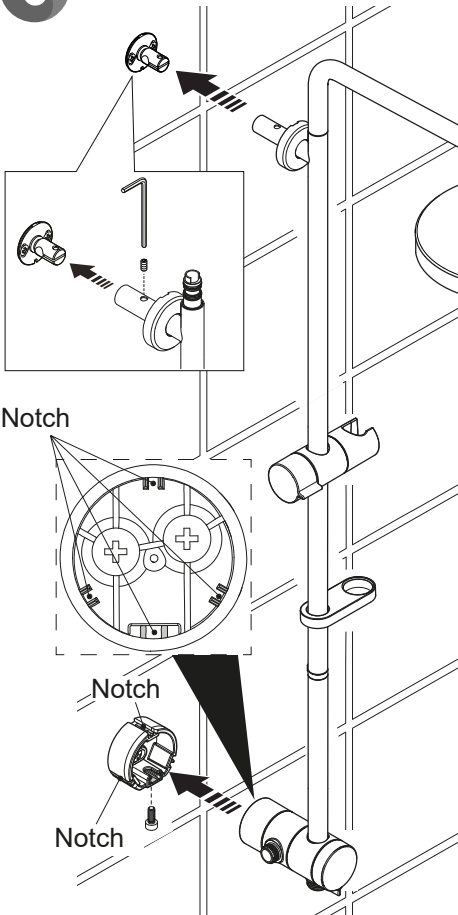
Caution! Failure to remove the diverter while drilling the holes above may allow brick dust to enter and damage the diverter seals.

5



Drill the holes for the wall fixing bracket. Insert the wall plugs and fix the bracket to the wall using the screws supplied.

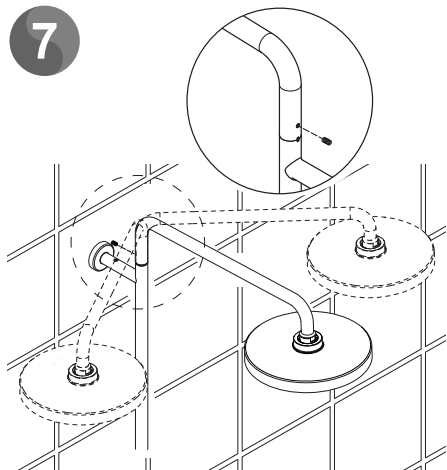
6



Loosely fit the concealing cover onto the middle bar. Ensure the lower bar is fitted correctly.

Fit the middle bar onto the wall fixing bracket and tighten the grub screw with a 2.5 mm hex key. Fit the concealing cover over the bracket.

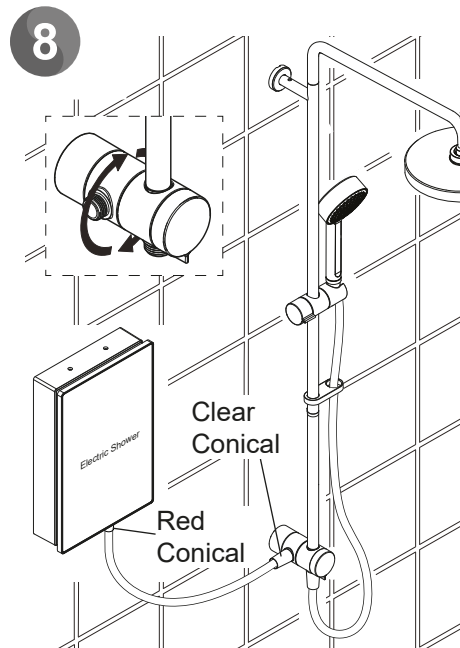
Slide the diverter over the wall plate ensuring the notches in the diverter lines up with the notches on the wall plate and fix in place using the screw supplied.



The overhead assembly can rotate 45° in either direction from centre.

Angle the riser arm to the centre of the showering area and secure in place using the grub screw.

Note: A spare grub screw is supplied if damaged during installation.



Rotate the middle port of diverter to suit position of the shower unit.

Note: Initial rotation of the diverter may be stiff, adding the short shower hose will help you to rotate it easier.

Connect the short shower hose to the diverter and the shower unit. Connect the red conical end with coarse thread to the shower outlet and the clear conical end with a fine thread to diverter inlet. If the short shower hose is not long enough for your installation, please contact Mira to receive a longer hose.

Feed the long shower hose through the hose retaining ring and connect to the diverter outlet and the showerhead. Connect the conical with red cover or white label to the showerhead.

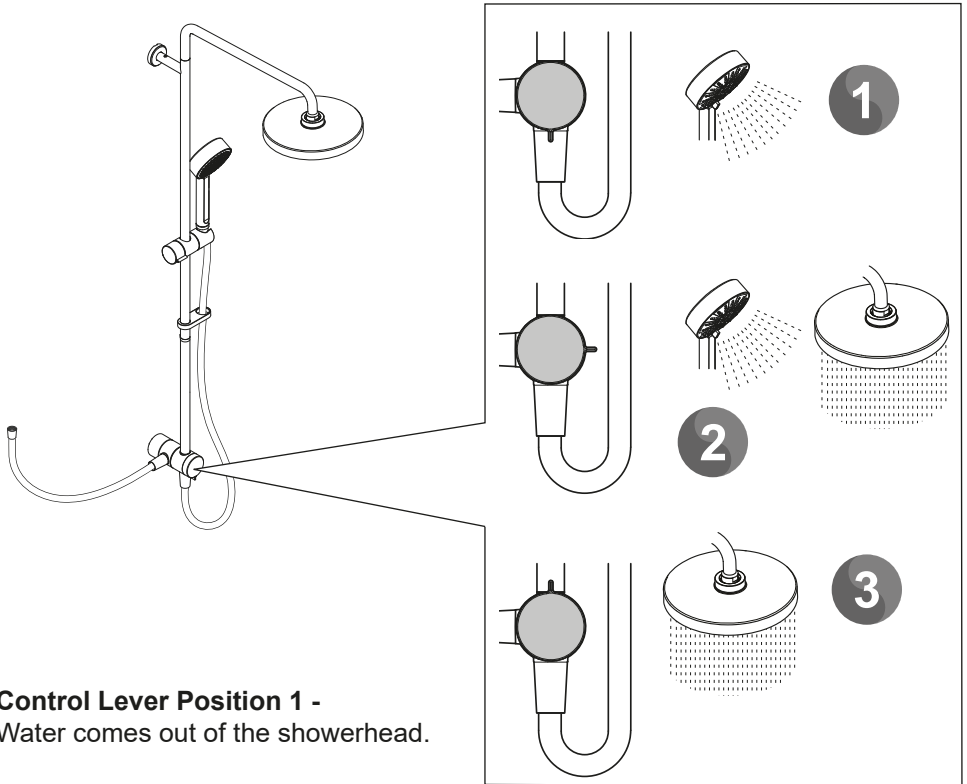
Note: DO NOT hang products from the diverter link hose.

Place the showerhead assembly into the clamp bracket.

Important! Before using your new fittings please make sure to commission the shower following the manufacturers instructions

Operation

The diverter lever operates as shown below:



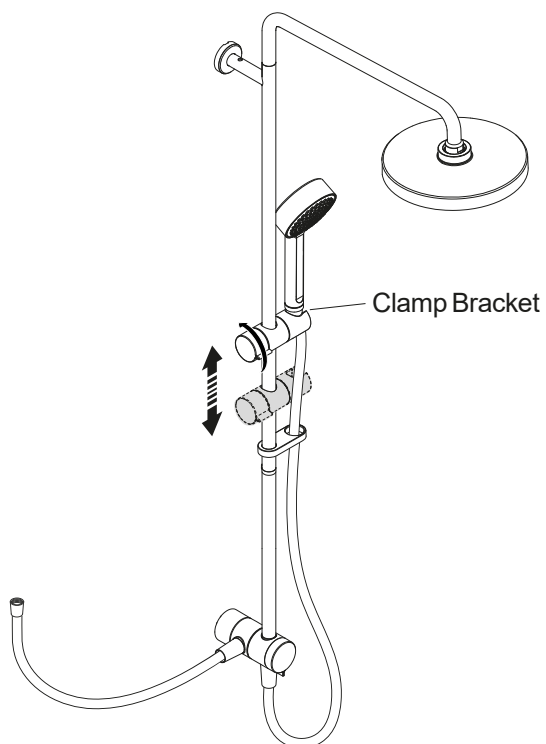
Control Lever Position 1 -
Water comes out of the showerhead.

Control Lever Position 2 -
At this point water will come out of both the overhead and the showerhead. However this is not recommended as there will be insufficient water flow.

Note: When diverting from showerhead to overhead a small amount of cold water may initially flow.

Control Lever Position 3 -
Water comes out of the overhead.

Important! DO NOT allow the overhead or handset spray water directly on to the electric shower. The overhead and handset must be positioned so this does not occur.

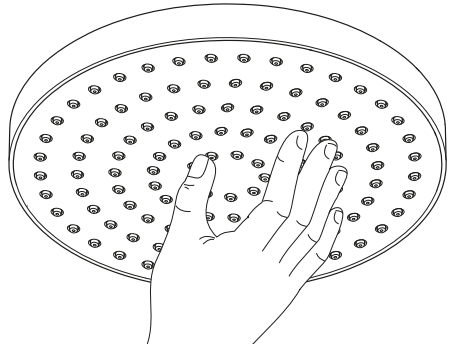
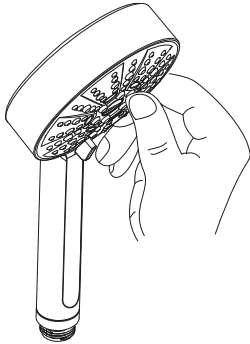


Operate the lever and slide the clamp bracket up and down until it is positioned at the desired height and lock in position.

Cleaning

Cleaning the Showerhead

Many household and commercial cleaners, including hand and surface cleaning wipes contain abrasives and chemical substances that can damage plastics, plating and printing and should not be used. These finishes should be cleaned with a mild washing up detergent or soap solution, and then wiped dry using a soft cloth.

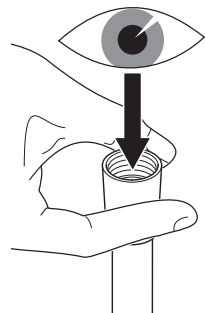
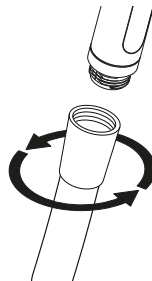


Important! Keeping the showerhead clean and free from limescale will ensure that your shower and showerhead continue to perform to their maximum. A blocked showerhead can restrict the flow rate and may cause damage to your shower. Use your thumb or a soft cloth to wipe any limescale from the nozzles.

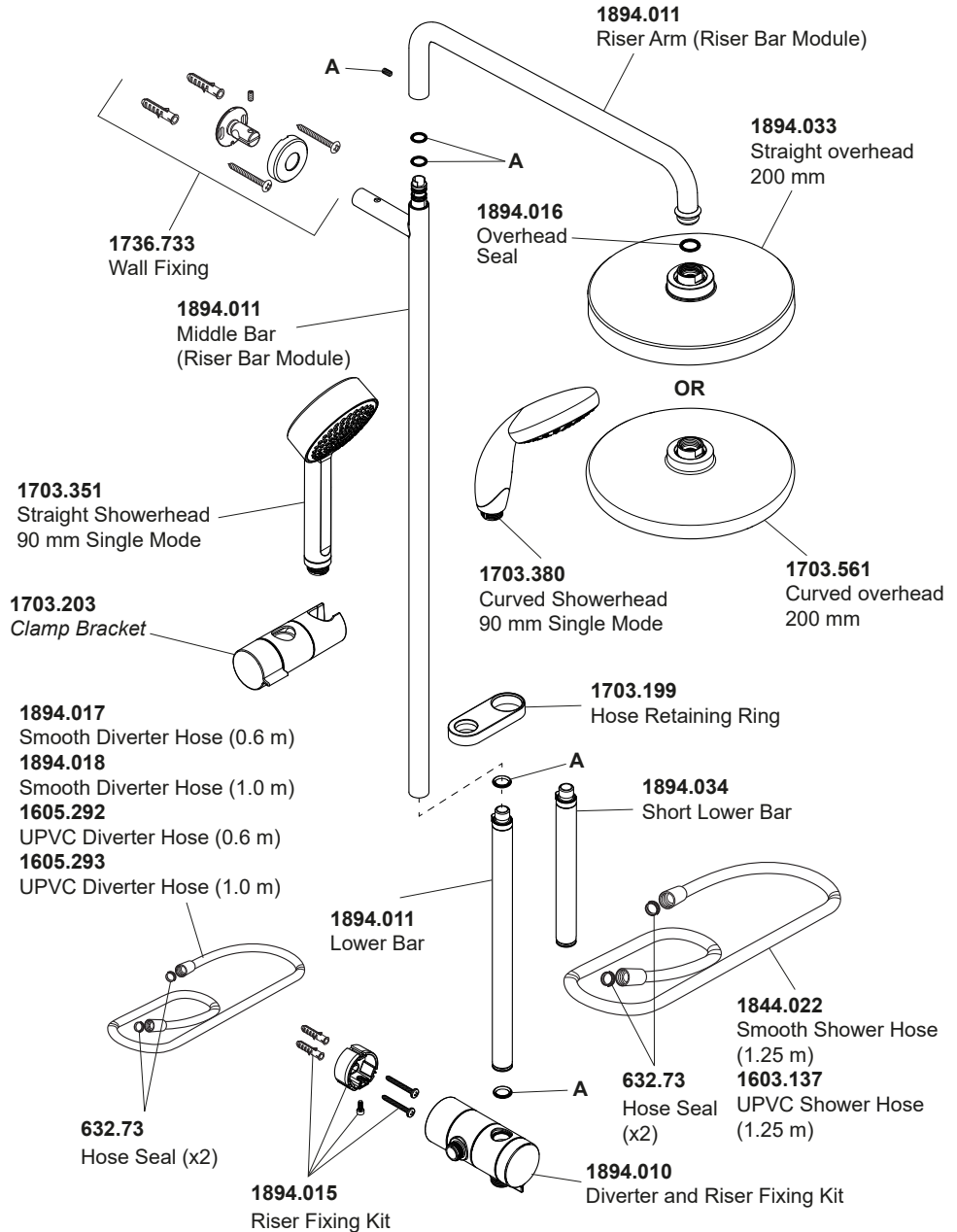
Inspecting the Hose

Important! The shower hose should be inspected periodically for damage or internal collapse, internal collapse can restrict the flow rate from the showerhead and may cause damage to the shower.

1. Unscrew the hose from the showerhead and the shower outlet.
2. Inspect the hose.
3. Replace if necessary.



Spare Parts



1894.019 Seal and Grub Screw Pack (Components marked as 'A')

Customer Support

Guarantee

Your product has the benefit of our manufacture's guarantee which starts from date of purchase. This guarantee only applies in the United Kingdom and Republic of Ireland. To activate this guarantee, please return your completed registration card, visit our website or free phone 0800 5978551 within 30 days of purchase (UK only).

Within the guarantee period we will resolve defects in materials or workmanship, free of charge, by repairing or replacing parts or product as we may choose.

This guarantee is in addition to your statutory rights and is subject to the following conditions :

- The guarantee applies solely to the original installation under normal use and to the original purchaser only. The product must be installed and maintained in accordance with the instructions given in this guide.
- Servicing must only be undertaken by us or our appointed representative.
Note! If a service visit is required the product must be fully installed and connected to services.
- Repair under this guarantee does not extend the original expiry date. The guarantee on any replacement parts or product ends at the original expiry date.
- For shower fittings or consumable items we reserve the right to supply replacement parts only.

The guarantee does not cover:

- Call out charges for non product faults (such as damage or performance issues arising from incorrect installation, improper use, inappropriate cleaning, lack of maintenance, build up of limescale, frost damage, chemical attack, corrosion, system debris or blocked filters) or where no fault has been found with the product.
- Water or electrical supply, waste and isolation issues.
- Compensation for loss of use of the product or consequential or indirect loss of any kind.
- Damage or defects caused if the product is repaired or modified by persons not authorised by us or our appointed representative.
- Routine maintenance or replacement parts to repaired or modified by persons not authorised by comply with the requirements of the TMV2 or repaired or modified by persons not authorised by TMV3 healthcare schemes
- Accidental or wilful damage.
- Products purchased ex-showroom display.

What to do if something goes wrong

If your product does not work correctly refer to this manual for fault diagnosis and check that it is installed and commissioned in accordance with our instructions. If this does not resolve the issue, contact us for help and advice.



Helpdesk Service

Contact our Customer Services Team for product advice, to purchase spare parts or accessories or to set up service visit. You can contact us via phone or e-mail - contact details below.

Please provide your model name, power rating (if applicable) and date of purchase.



Mira Showers Website

(www.mirashowers.co.uk)

Visit our website to register your guarantee, download user guides, diagnose faults, purchase our full range of accessories and popular spares, or request a service visit.



Spares and Accessories

We hold the largest stocks of genuine Mira spares and accessories. Contact us for a price or visit our website to purchase items from our accessory range and popular spares. (Only available in the United Kingdom)



Service/Repairs

No one knows our products better than our nationwide team of Service Technicians. We can carry out service or repair work to your product both during and after the guarantee period. (Only available in the United Kingdom and Republic of Ireland) Ask about our fixed price service repairs.

To Contact Us: UK



0800 001 4040



Fax: 01242 282595



Email – Visit

www.mirashowers.co.uk/contactus



By Post: **Mira Customer Services Dept, Cromwell Road, Cheltenham, Gloucestershire GL52 5EP**

To Contact Us: Eire Only



01 531 9337



E-mail:

CustomerServiceEire@mirashowers.com

Mira is a registered trade mark of Kohler Mira Limited.

The company reserves the right to alter product specifications without notice.



mira
SHOWERS

Check out our full range of Showers

Electric Showers

Digital Showers

Mixer Showers

Power Showers

Smart Showers

Shower Towers

From Top Shower Brands

Mira Showers

Aqualisa Showers

Triton Showers

Gainsborough Showers

Shower Pumps can upgrade your showering experience even more

Stuart Turner Shower Pumps

Salamander Shower Pumps

Grundfos Shower Pumps

plumbworld
Big brands, small prices.