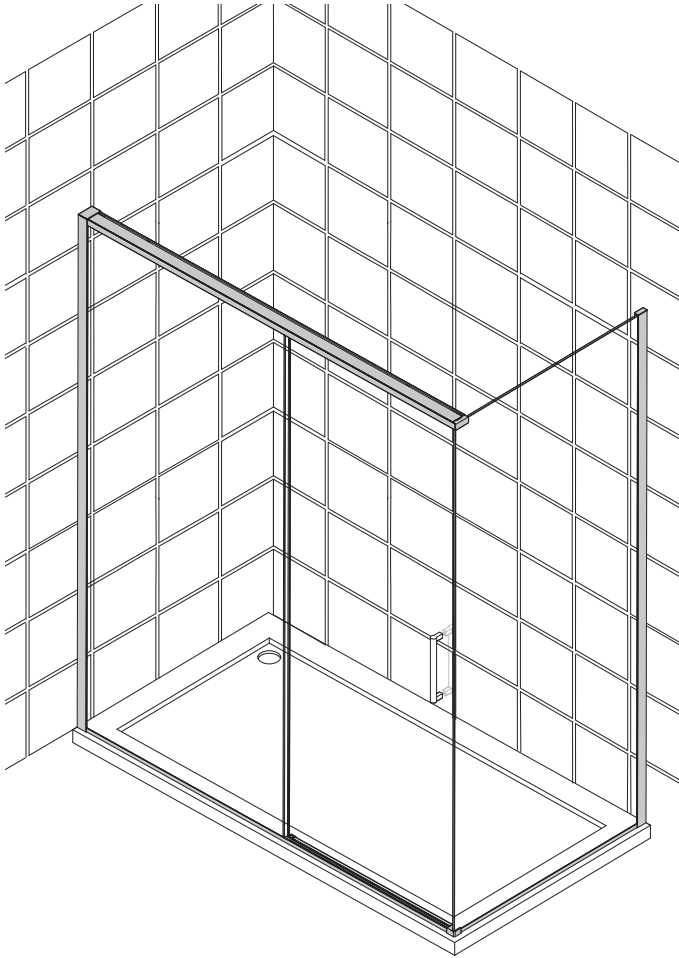


# Frameless Sliding Door Enclosure



These instructions must be left with the user

---

# Installation Guide

---

# Introduction

---

Thank you for purchasing a quality product. To enjoy the full potential of your new product, please take time to read this guide thoroughly, having done so, keep it handy for future reference.

The following pages aim to provide comprehensive installation instructions, plus advice on how to care and maintain your product.

We recommend that the unit is installed by a qualified plumber or engineer.

## General Information

---

### General

1. Read all of these instructions and retain this guide for later use.
2. Pass on this guide in the event of change of ownership of the installation site.
3. Follow all warnings, cautions and instructions contained in this guide.
4. Remove all protective tape from the enclosure before installation.
5. Excessive flow rates may lead to overflowing and leaking.
6. Water Spray may extend beyond the entrance of walk-in enclosures and we recommend tiling of the adjacent area.
7. We recommend a drainage test is carried out to ensure the waste is adequate for the flow delivered.
8. Doors that open outwards may drip water onto floor, ensure the floor covering will not be affected by water.
9. Walk ins and divider panels are designed to minimise water escaping outside the enclosure but by their very nature are not fully water tight.

### Safety Information

1. Care should be taken when drilling into walls and floors to avoid any hidden pipes or wires.
2. We strongly recommend that all glass panels are moved by a minimum of two people and that any protective packaging along the glass edges is kept in place for as long as possible to prevent damage before installation.
3. During installation we recommend additional help in lifting heavy doors and side panels.
4. Wear protective footwear when lifting panels.
5. Wear safety glasses when drilling.

---

## Before Fitting the Enclosure

1. Ensure the tray is level and walls are vertical and square.
2. Shower fittings should be positioned such that water discharges down the centre line of a bath or across the opening of a shower cubicle door.
3. Ensure water is not directed at the shower door or side panels. This could result in water spraying outside of the enclosure.
4. Ensure the door opening is positioned correctly and is adequate for all users.
5. Ensure there is a complete silicone seal between the tray and finished wall.
6. Ensure the door is undamaged and no parts are missing.
7. Ensure the size of door/panel is suitable for the installation. Tempered safety glass cannot be cut.
8. Ensure nothing can impact the door or glass panels during operation.
9. **Total build height need to be a minimum of 2200mm.**

## When Fitting the Enclosure

1. The wall channels must be installed onto a tiled or waterproof finished flat and even wall surface. Failure to do so will result in an unsatisfactory seal, which may cause property damage.
2. We recommend our enclosures are fitted onto shower trays.  
**Warning!** The use of grout/tile cleaners, scale removers, abrasive scourers, drain unblockers and other powerful detergents may lead to damage of metallic, plated and plastic surfaces, including the tray and shower waste.

## Use of the Enclosure

1. High water pressure and flow may lead to excessive splashing causing water to escape outside of the enclosure.
2. In certain circumstances such as cleaning, water sprayed directly at the seals may escape outside of the enclosure.

# Guarantee

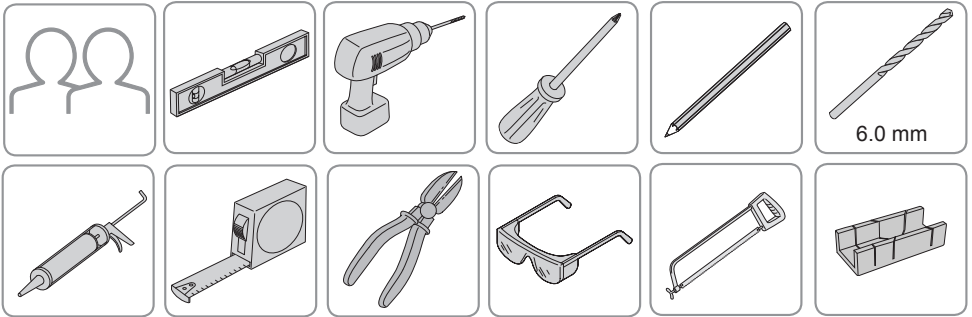
---

Your enclosure has the benefit of our guarantee which starts from date of purchase. For terms and conditions refer to the guarantee booklet packed with the product.

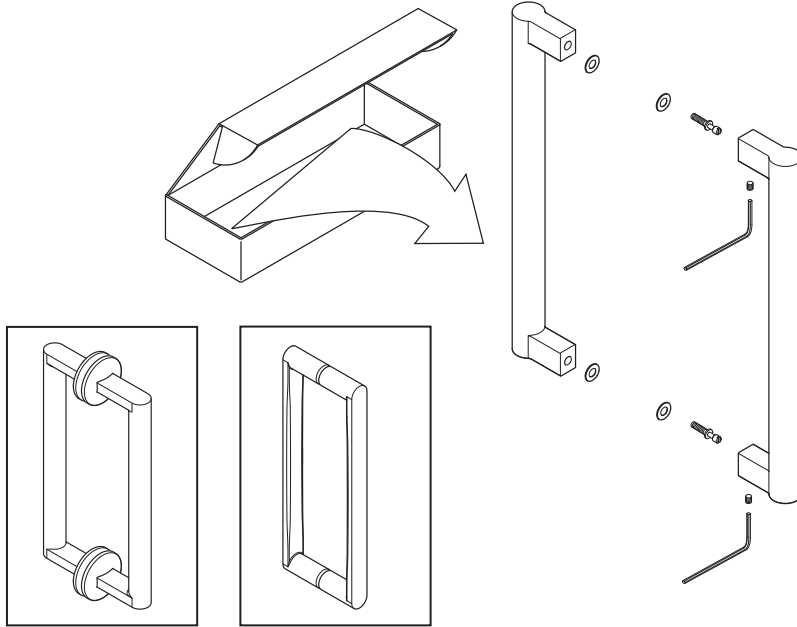
# Recommended Usage



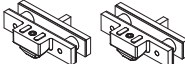

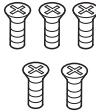

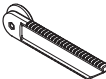








Domestic	✓
Light Commercial	✓
Heavy Commercial	✗
Healthcare	✗

# Tools Required

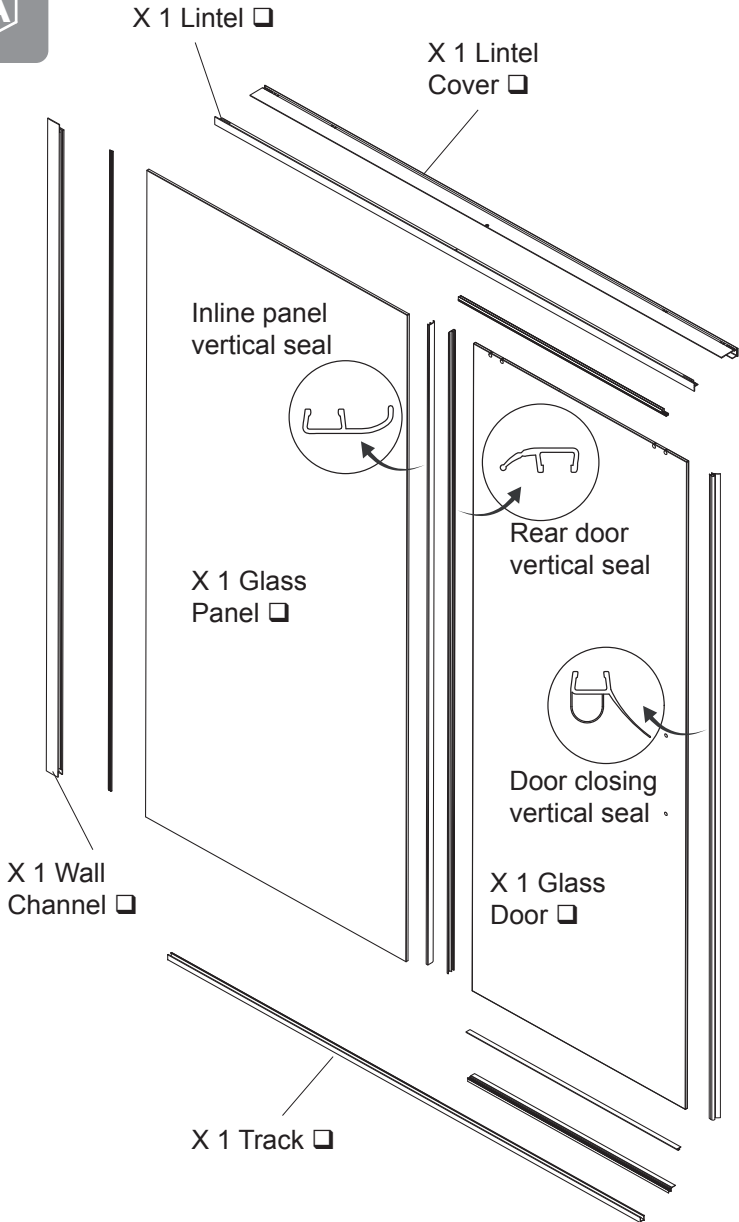


# Pack Contents

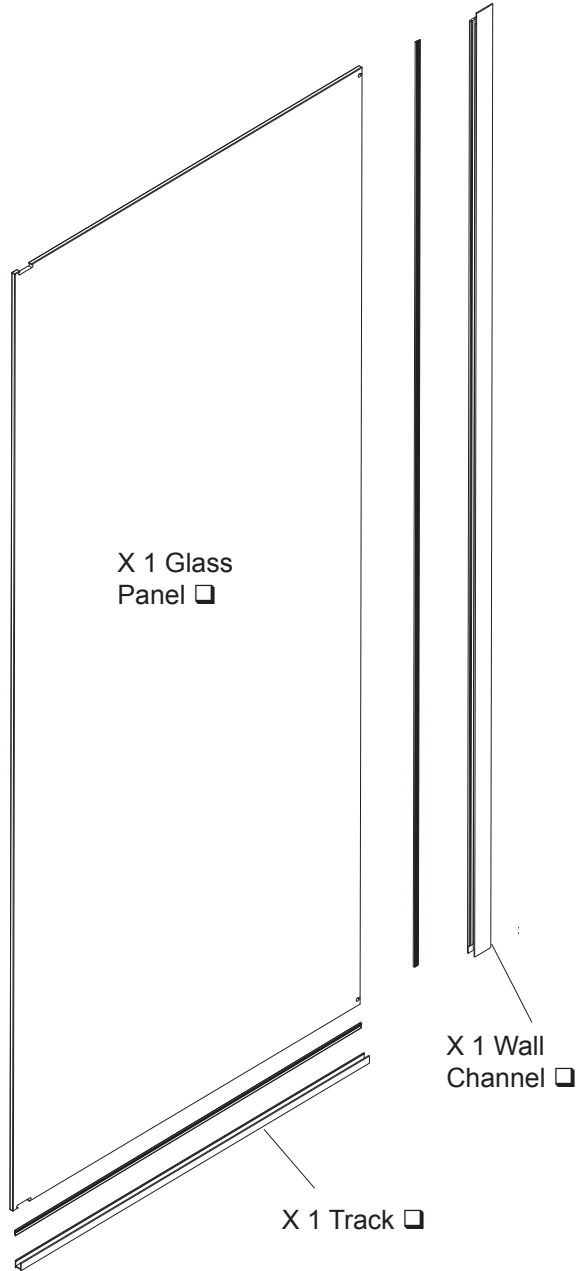
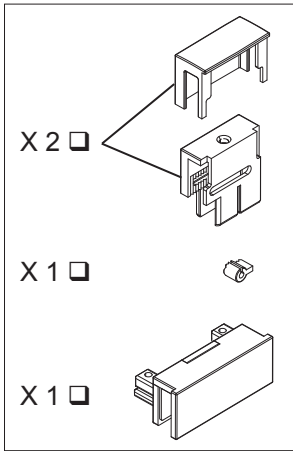


				
X 12 □	X 12 □	X 2 □	X 1 □	X 5 □
		 (2.5 mm)		 M3 x 10
X 2 □	X 1 □	X 1 □	X 2 □	X 2 □
				
X 1 □	X 1 □	X 2 □	X 2 □	X 1 □

**Note!** Some parts will remain unused as the same parts pack is supplied for both alcove and enclosure installation types.



**Note!** Closing fascia is included in pack, not required for enclosures (alcove only)



# Adjustment Dimensions

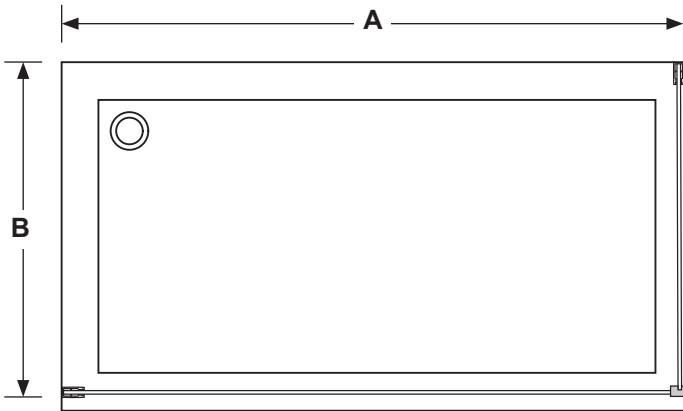
Measurements are taken from tiled surface.

Enclosure Width (A)			
Enclosure Width	Min	Max	Adjustment
1100	1063	1083	20
1200	1163	1183	20
1400	1363	1383	20
1500	1463	1483	20
1600	1563	1583	20
1700	1663	1683	20

Side Panel Depth (B)			
S. P. Depth	Min	Max	Adjustment
760	720	740	20
800	760	780	20
900	860	880	20

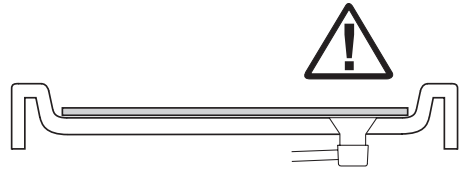
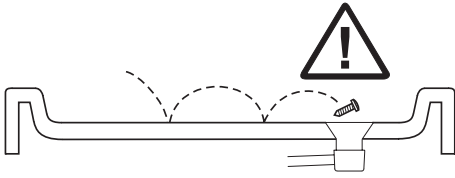
All measurements shown are in mm

Measurements A and B are taken from tiled wall to outside of wall channels. Mark on tray with pencil line.





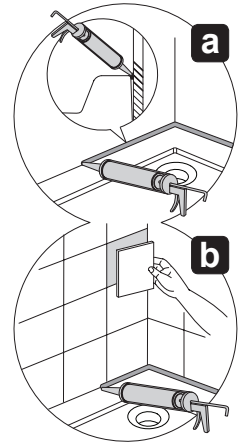
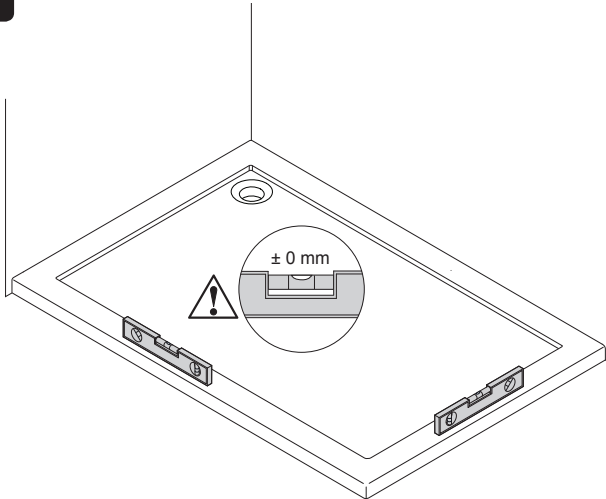
# Installation



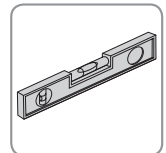
**Note!** Cover the tray waste to prevent the loss of small parts.

**Note!** Protect the tray surface during enclosure installation.

**1**



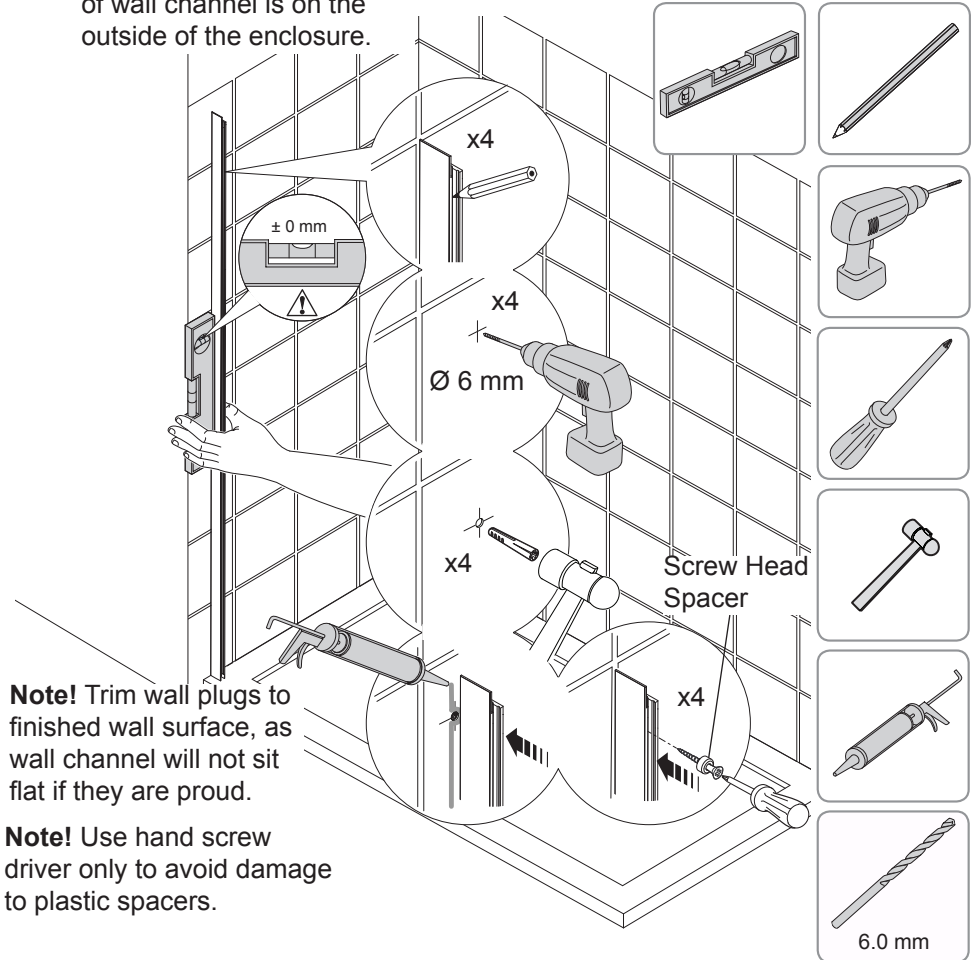
**Note!** Make sure that the walls have been tiled down to the tray. Make sure the tray is levelled. Make sure the walls are flat and square.



- (a) Install the shower tray in accordance with the manufacturer's instructions.  
**Caution!** Make sure that the shower tray is level and that the walls are vertical and square.

2

**Note!** Ensure longer face of wall channel is on the outside of the enclosure.



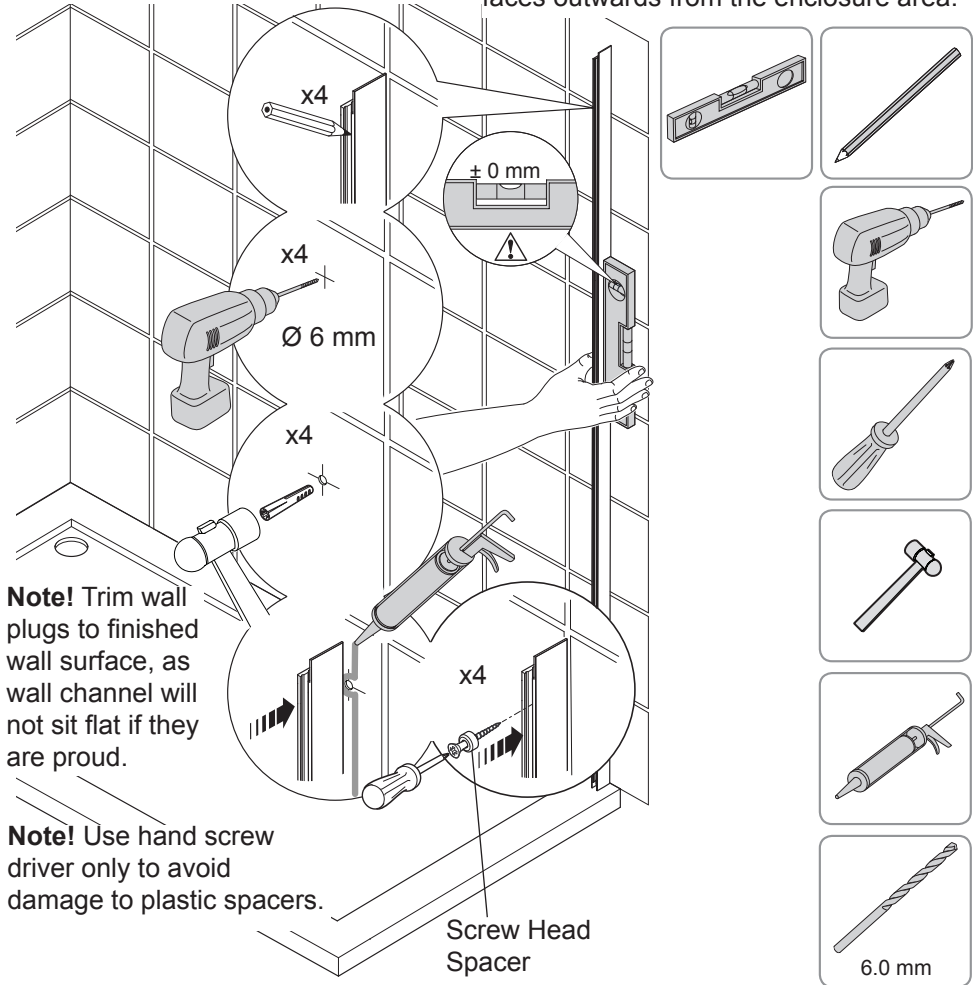
**Note!** Trim wall plugs to finished wall surface, as wall channel will not sit flat if they are proud.

**Note!** Use hand screw driver only to avoid damage to plastic spacers.

- (a) Position the wall channel on the wall using the dimensions supplied for correct enclosure size. Using a spirit level make sure that it is upright.
- (b) Mark the position of the fixing holes, then remove the wall channel.
- (c) Drill with a 6 mm masonry bit (not supplied) and plug using the wall plugs (supplied).
- (d) Position the wall channel on the wall and partially install the fixing screws. Ensure that the screw head spacers are fitted to the screws.
- (e) Apply silicone sealant according to the manufacturers instructions along the length of the wall and at the bottom of the wall channel.
- (f) Ensure spacers are on the screws. Fully tighten the fixing screws, making sure that the wall channel is upright.

3

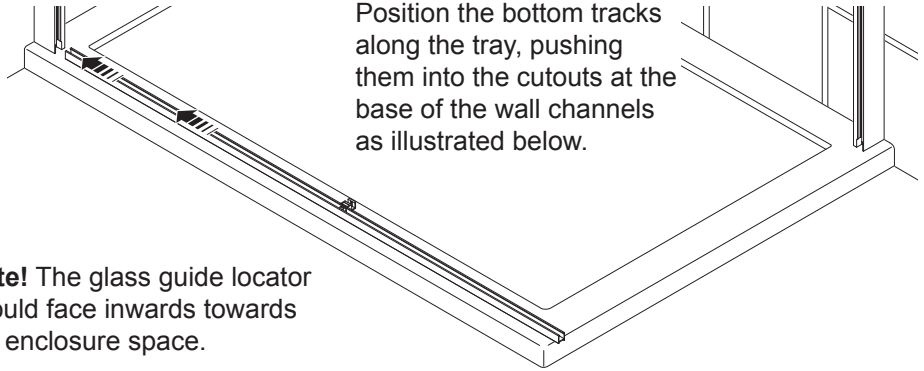
**Note!** The longer face of the wall channel faces outwards from the enclosure area.



- (a) Position the second wall channel on the wall using the dimensions supplied for correct enclosure size. Using a spirit level make sure that it is upright.
- (b) Mark the position of the fixing holes, then remove the wall channel.
- (c) Drill with a 6 mm masonry bit (not supplied) and plug using the wall plugs (supplied).
- (d) Position the wall channel on the wall and partially install the fixing screws.
- (e) Apply silicone sealant according to the manufacturers instructions along the length of the wall and at the bottom of the wall channel.
- (f) Ensure spacers are on the screws. Fully tighten the fixing screws, making sure that the wall channel is upright.

4

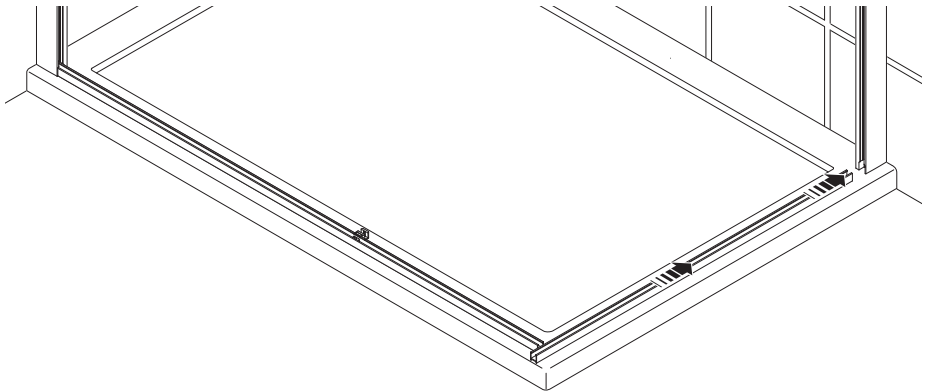
a



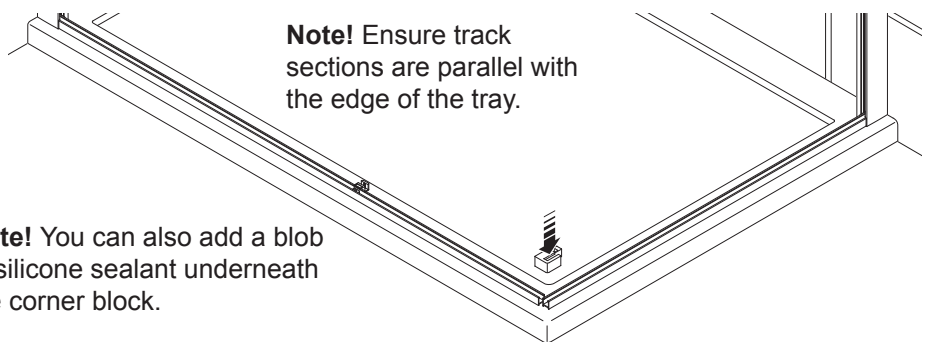
Position the bottom tracks along the tray, pushing them into the cutouts at the base of the wall channels as illustrated below.

**Note!** The glass guide locator should face inwards towards the enclosure space.

b



c



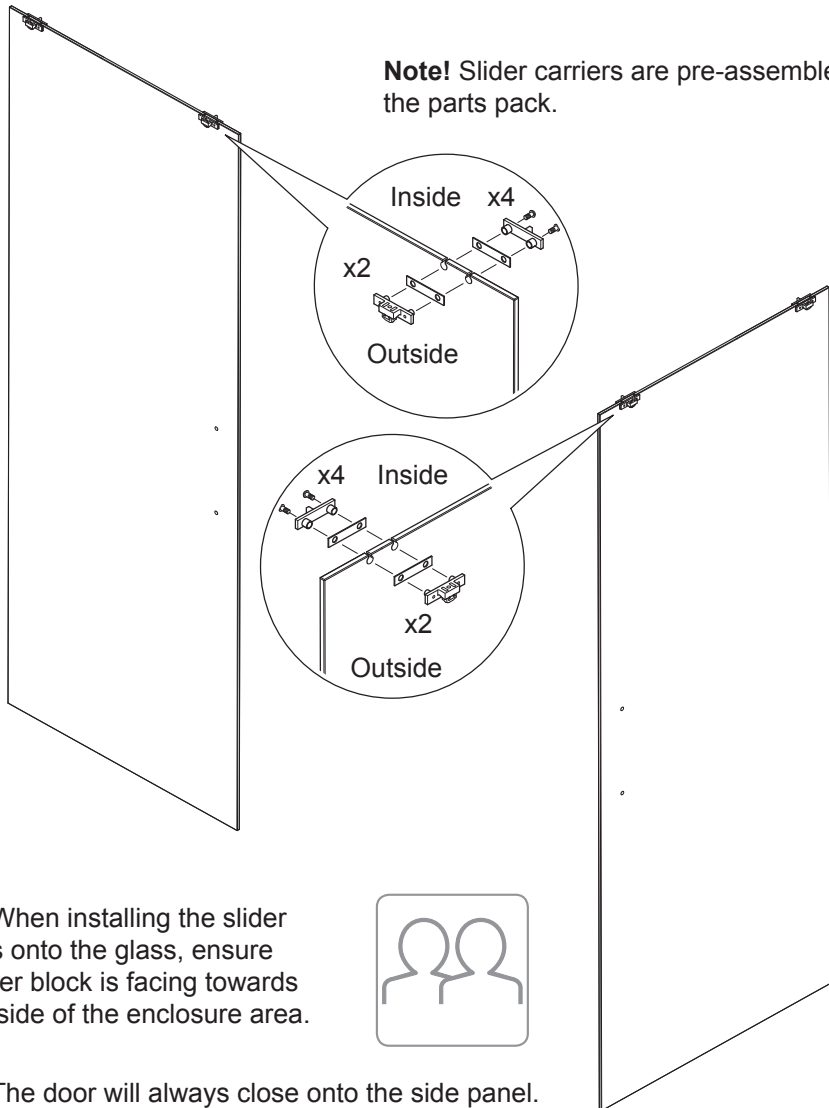
**Note!** Ensure track sections are parallel with the edge of the tray.

**Note!** You can also add a blob of silicone sealant underneath the corner block.

When you are satisfied with the position of the track sections and corner block, mark with a pencil as a guide in case of movement. Remove the tape from the underside of the side panel track and stick into place. As an aid during installation it is also advisable to use additional tape to prevent movement. This can be removed once the glass panels are installed and beaded.

5

Fit the Slider Carriers to the glass door as shown below. The door is reversible and the Slider Carriers can be fitted in either orientation. The door will always open onto the inline panel. **Ensure you install the door glass in the correct orientation to suit your enclosure handing.**

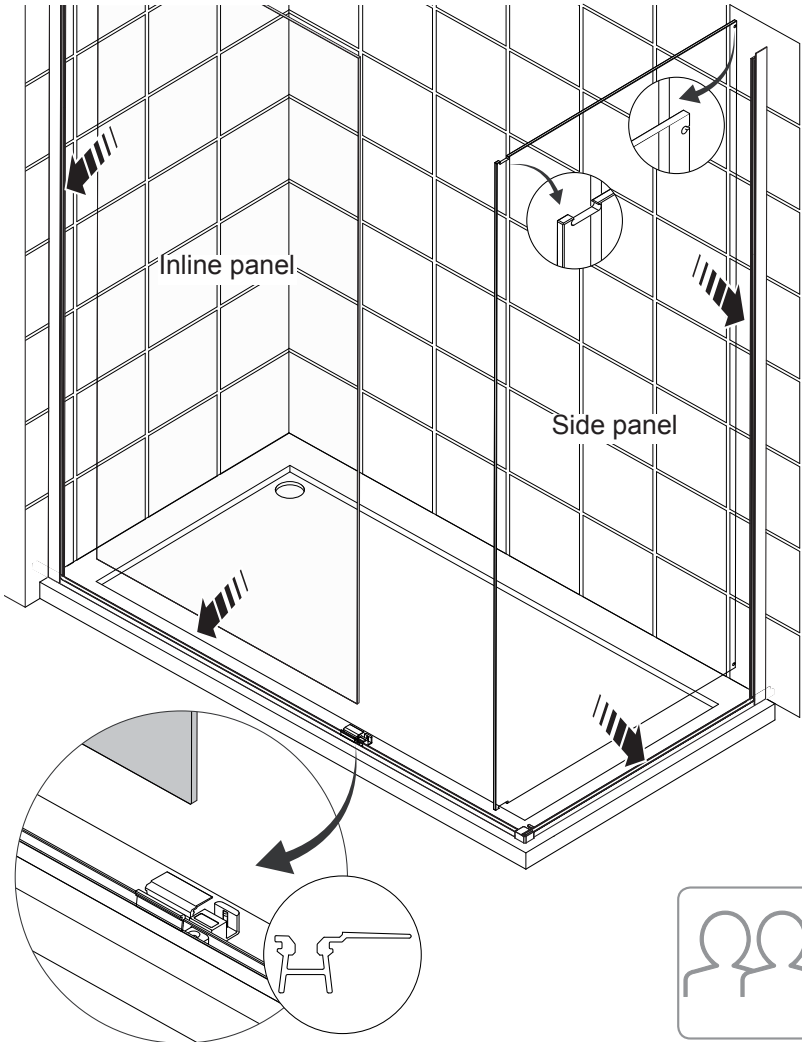


6

**Note!** Be careful to ensure the tracks do not move during the panel insertion process. As per previous step, extra tape to hold them in place will help prevent unwanted movement.

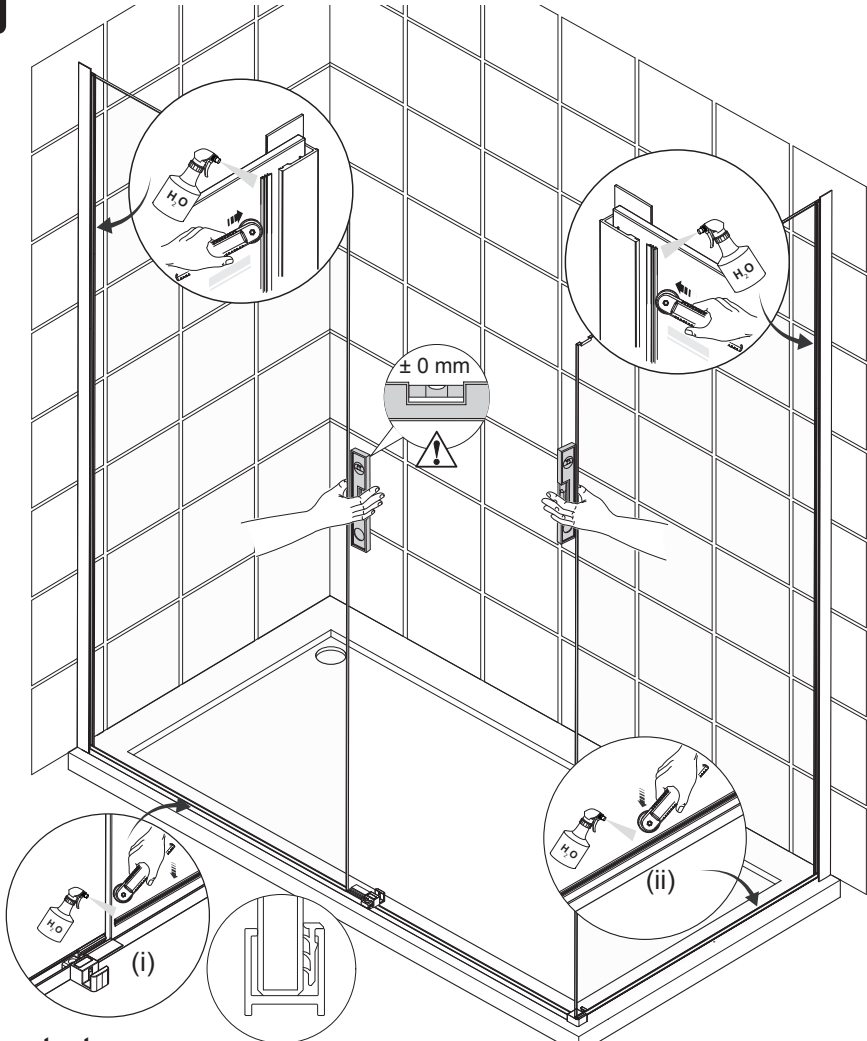
**Note!** Ensure the inline panel is orientated so the taped edge of glass is at the top.

**Note!** Ensure side panel is orientated with notches as below.



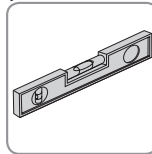
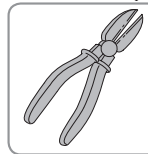
- (a) Install the short splash seal on the inline panel side of the track abutting the glass guide locator in the track.
- (b) Fit the inline glass panel into the wall channel and up against the short seal.
- (c) Fit the side glass panel into the wall channel that had been secured to the wall earlier.

7

**Important:**

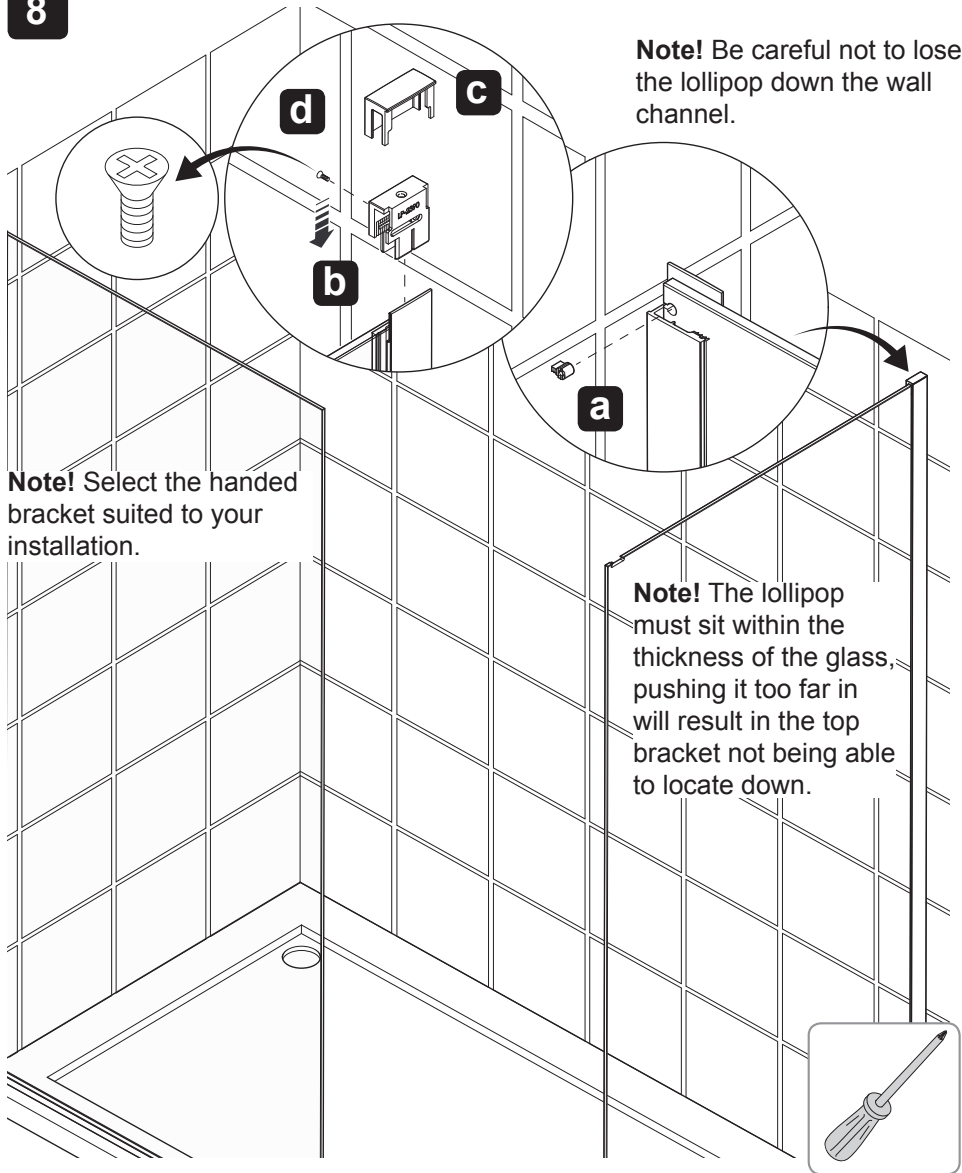
Wet the bead to help you with installation.

The ribs on the beading go towards the glass



- (a) Install the horizontal beading onto the two fixed panels, cutting to the length of the glass. (i) Inline panel, from wall channel to short seal. (ii) Side panel, from wall channel to corner block.
- (b) Install the vertical beading onto the two fixed panels, start from the bottom cutting to the height to the inside of the aluminium wall channel.

8



**Note!** Select the handed bracket suited to your installation.

**Note!** Be careful not to lose the lollipop down the wall channel.

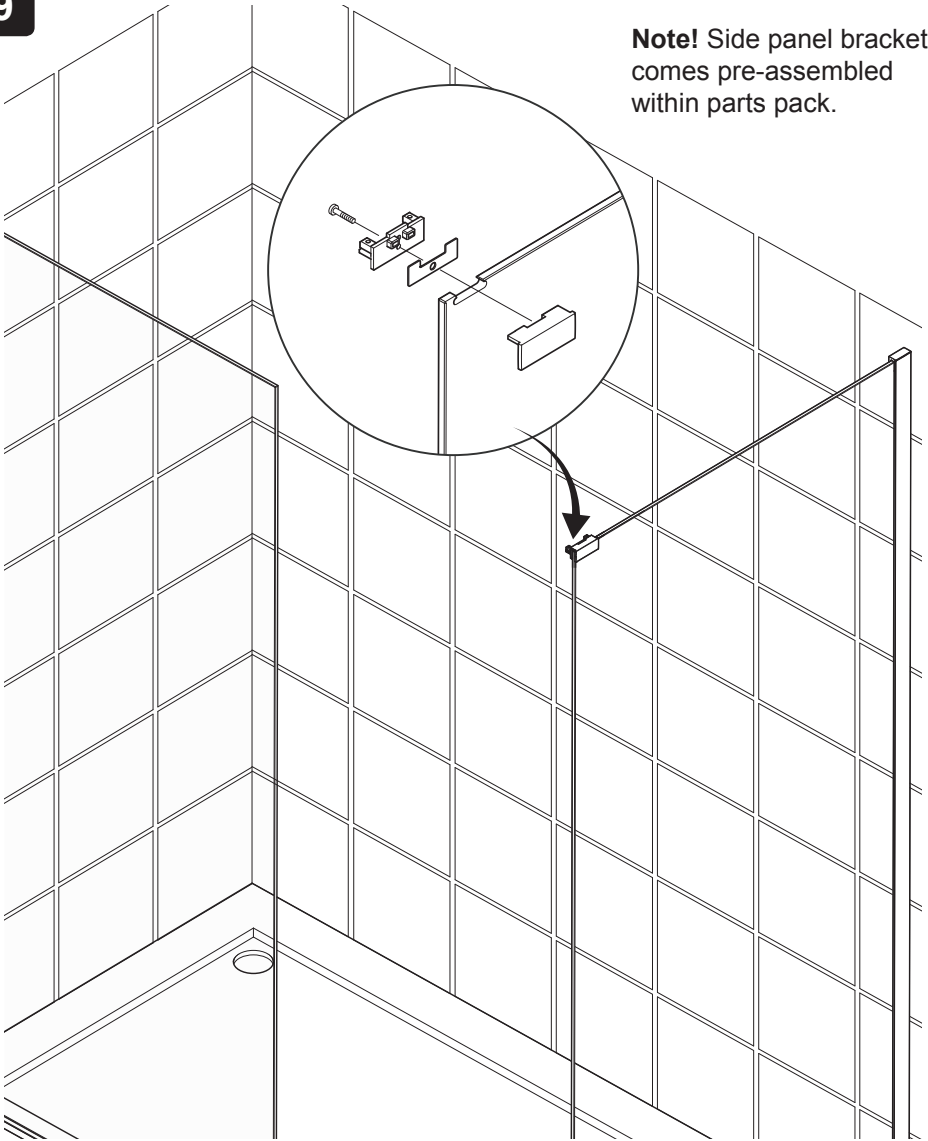
**Note!** The lollipop must sit within the thickness of the glass, pushing it too far in will result in the top bracket not being able to locate down.

- (a) Fit the lollipop into the corresponding glass hole with the ridges facing inside of the enclosure.
- (b) Push the top bracket down into place. (ensure you use the correct hand)
- (c) Fit screw through top bracket into lollipop. Avoid overtightening.
- (d) Fit the chrome cover.

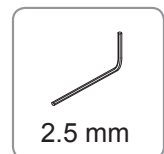


9

**Note!** Side panel bracket comes pre-assembled within parts pack.

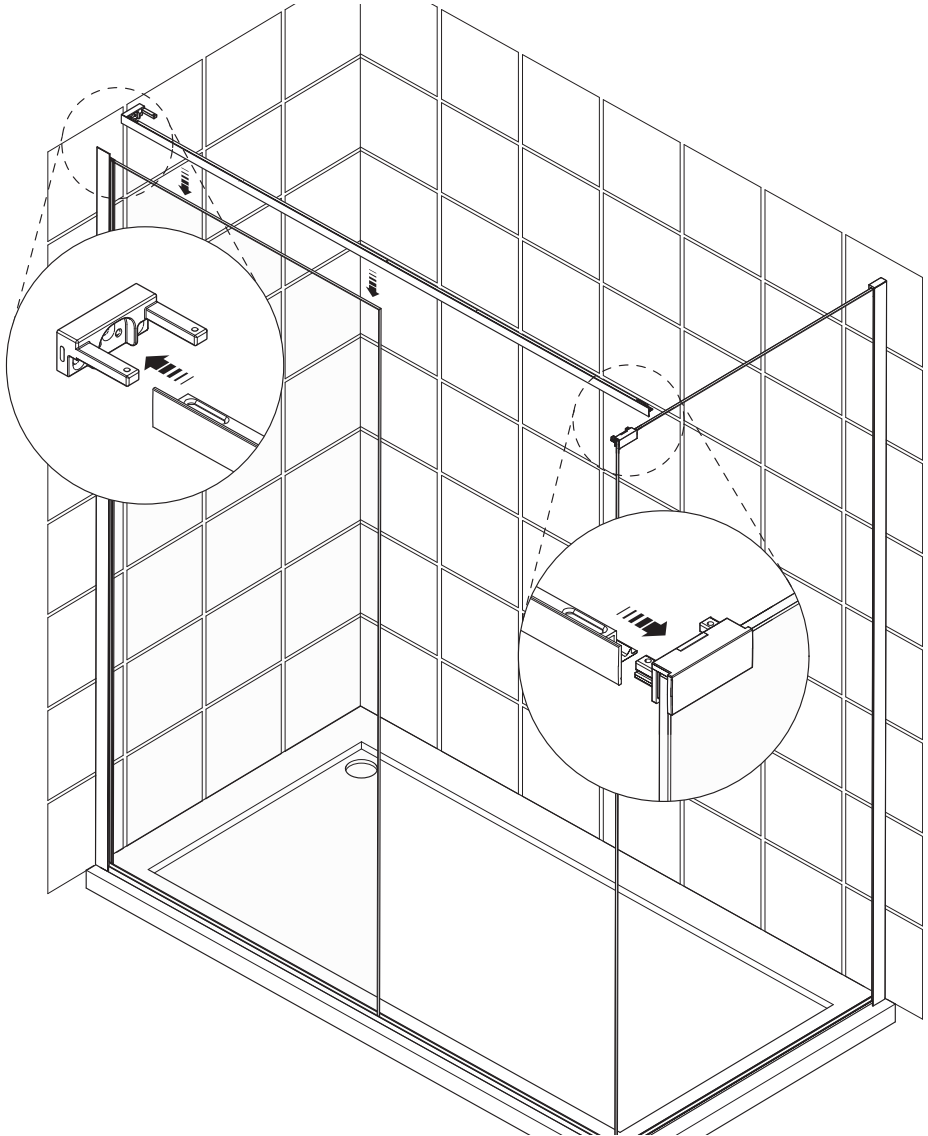


**(a)** Secure the side panel bracket using screw.



2.5 mm

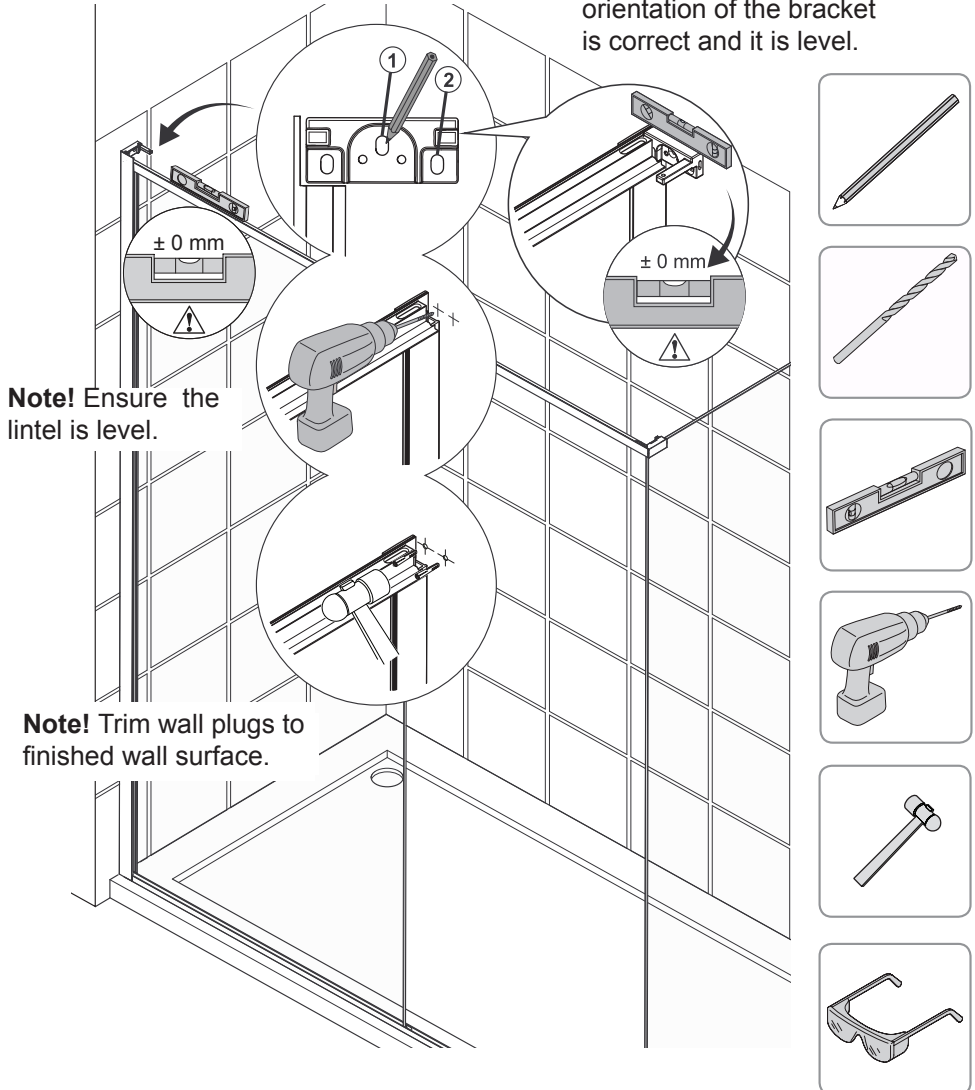
10



- (a) Insert the wall bracket into the lintel. (**Note:** This is a tight fit.)
- (b) Place the lintel onto the inline panel glass making sure that it locates correctly. Do not install screws at this stage.

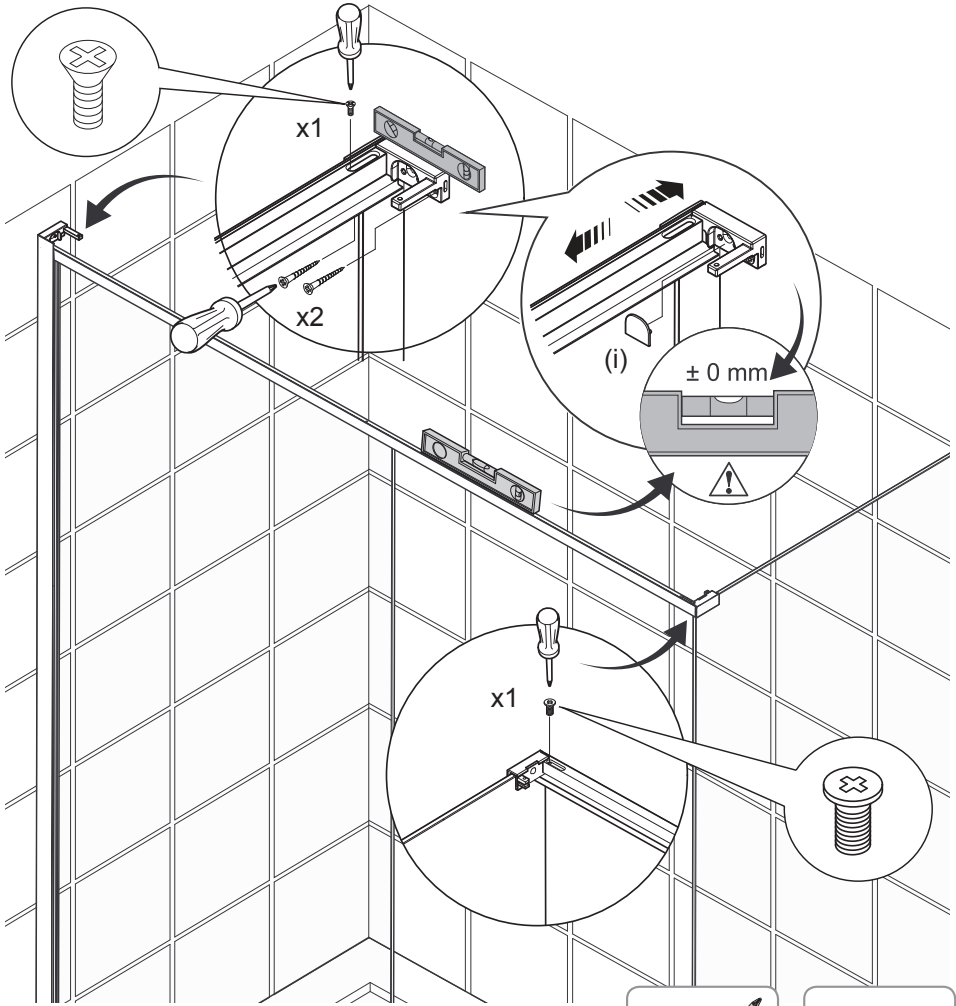
11

**Note!** Make sure the orientation of the bracket is correct and it is level.



- (a) Using a spirit level make sure that the lintel and wall bracket are upright.
- (b) Mark the position of the fixing holes marked 1 and 2, then remove the wall bracket and lintel.
- (c) Drill with a 6 mm masonry bit (not supplied) and plug using the wall plugs (supplied).

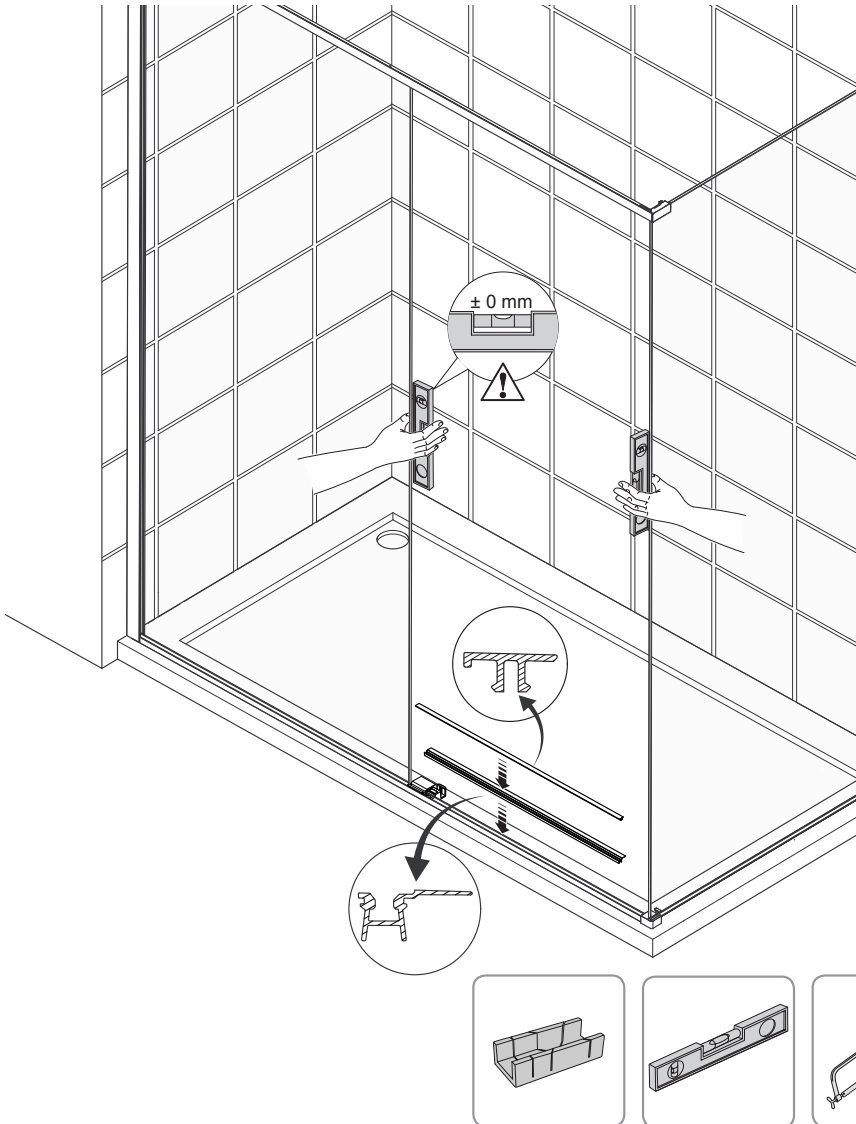
12



**Note!** Brackets are a tight fit to the lintel.

- (a) Fix the wall bracket in previously drilled holes using the screws (supplied).
- (b) Using a spirit level make sure that the lintel and wall brackets are upright.
- (c) Secure the lintel on wall bracket and side panel bracket using the screws (supplied).
- (d) Fit the wall bracket cover (i) after fitting the screws.

13



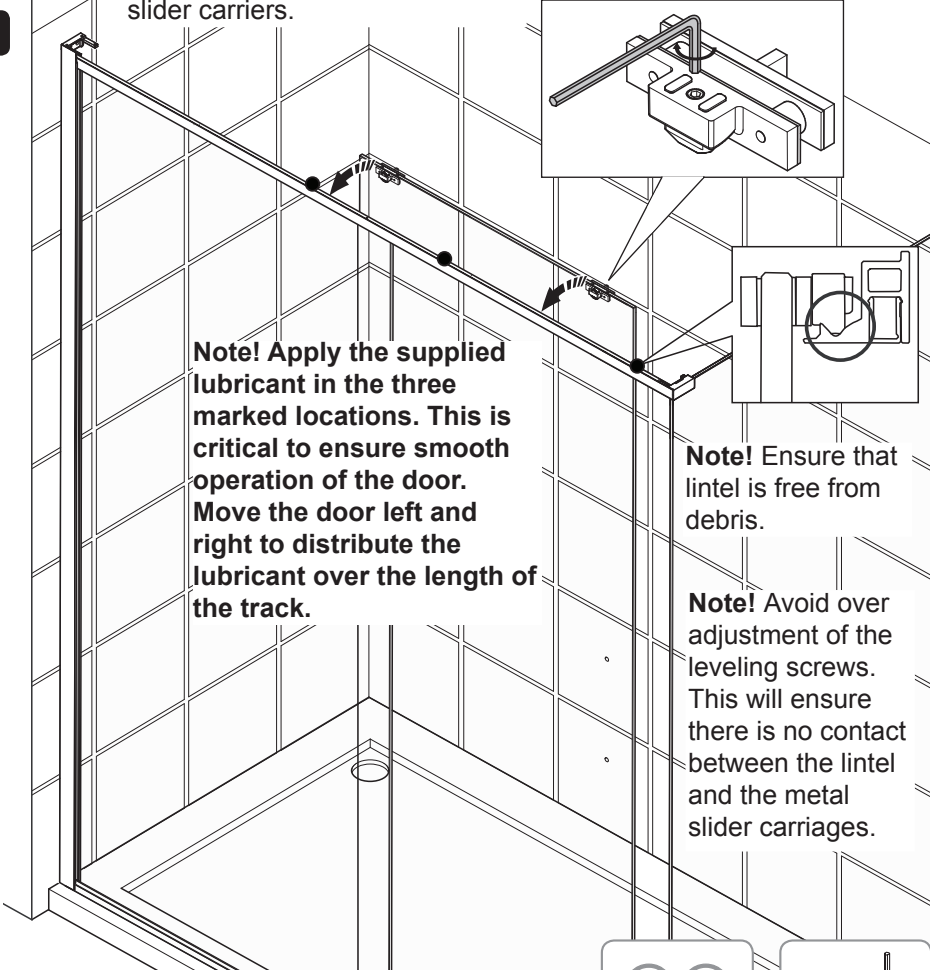
- (a) Install the long splash-guard into the track. (the fin facing inside the enclosure). The long splash-guard will need to be cut to length (measure between the two guides).
- (b) Measure the cover strip and cut to length with a Hacksaw. It will fit between the end of the inline glass panel and the closing guide. The small lip will face the outside of the enclosure.

14

a

**Note!** Level the door using levelling screws on the top of the slider carriers.

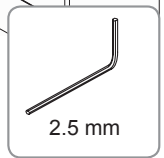
Lower Door - Anti clockwise  
Raise Door - Clockwise



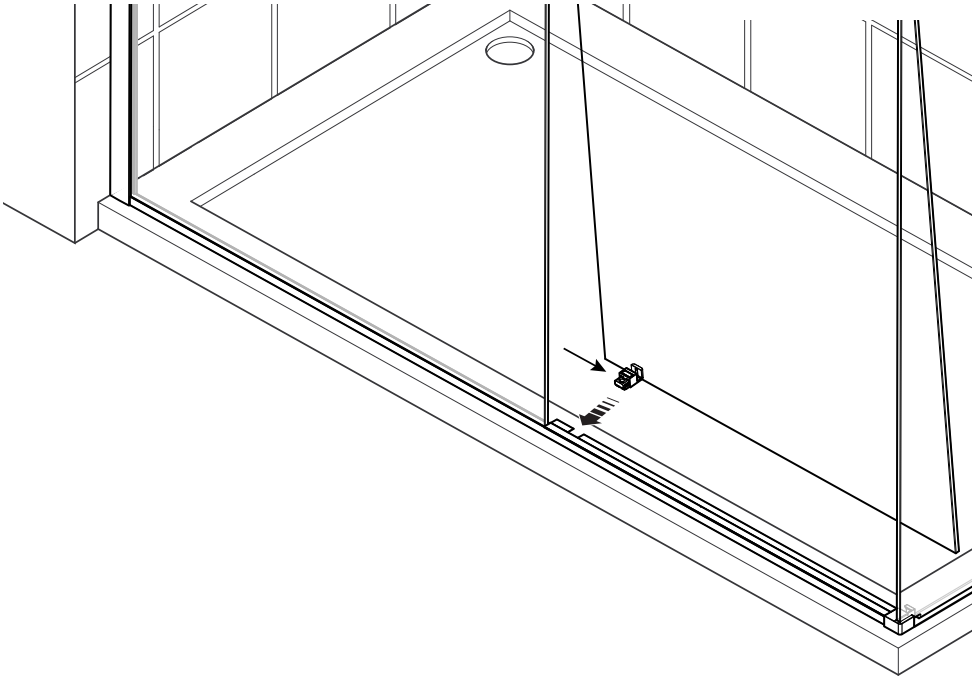
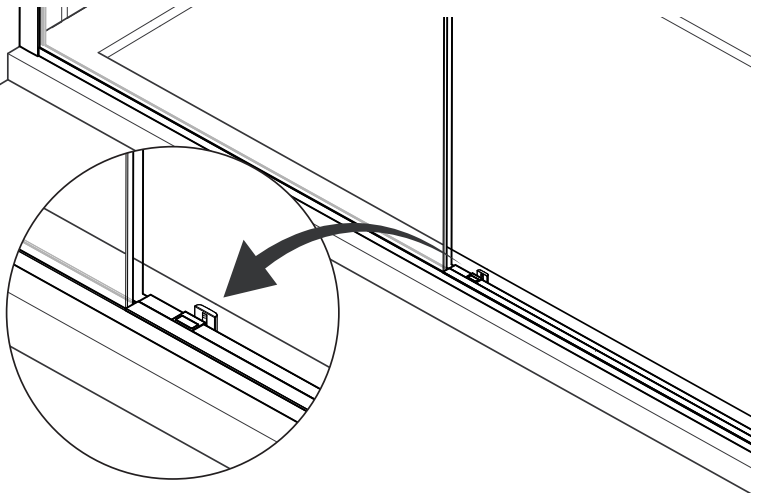
**Note!** Apply the supplied lubricant in the three marked locations. This is critical to ensure smooth operation of the door. Move the door left and right to distribute the lubricant over the length of the track.

**Note!** Ensure that lintel is free from debris.

**Note!** Avoid over adjustment of the leveling screws. This will ensure there is no contact between the lintel and the metal slider carriages.

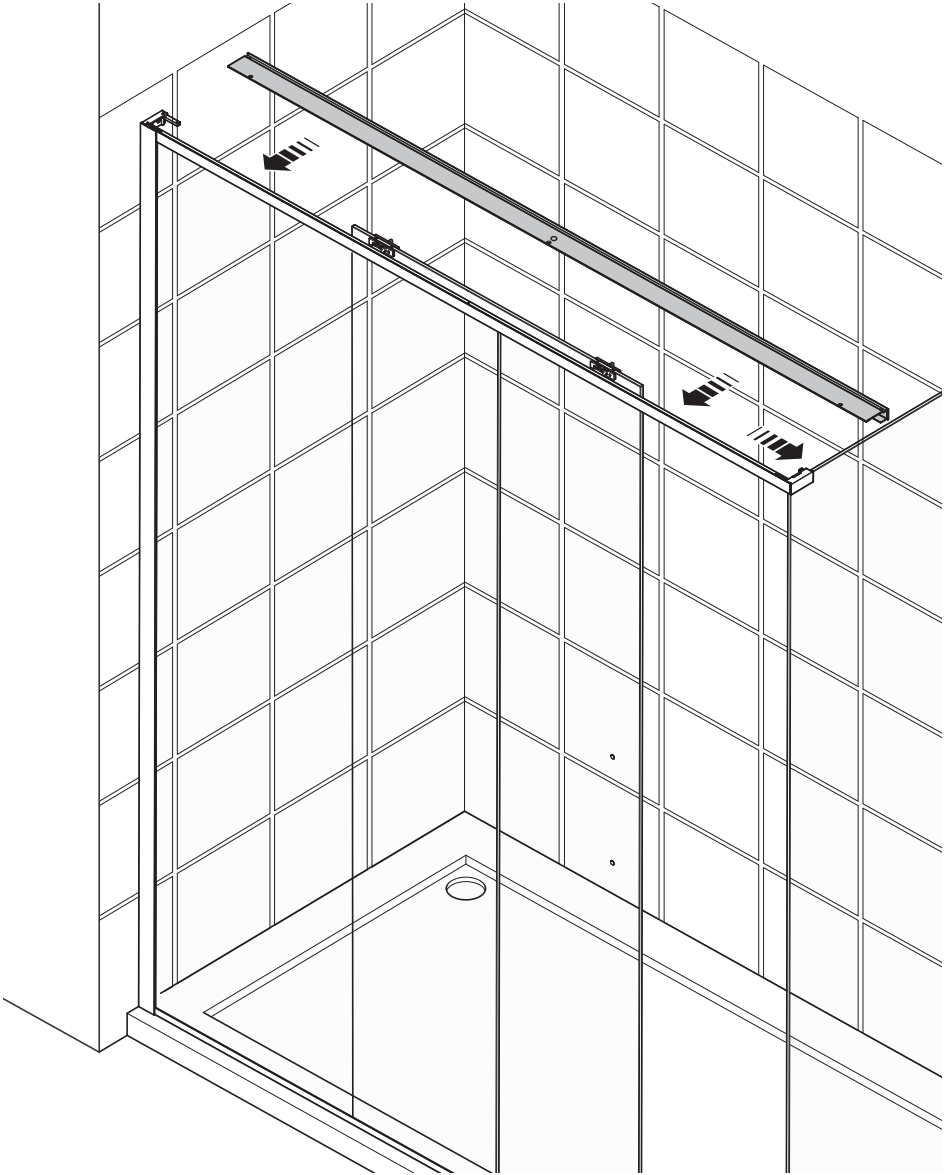


- (a) Turn the sliding door (pre-installed with carriers) so that it is in the correct orientation.
- (b) Mount the sliding door on the top lintel.
- (c) Adjust the sliding door level by rotating the adjustment screws on the top of the door.
- (d) Apply the supplied lubricant within the trackway of the lintel at the 3 spots detailed above. Move the door left and right to distribute the lubricant.

**b****c**

- (a) Slide the glass guide assembly along the bottom of the door and then push it into the locator on the track (between the two splash seals)..

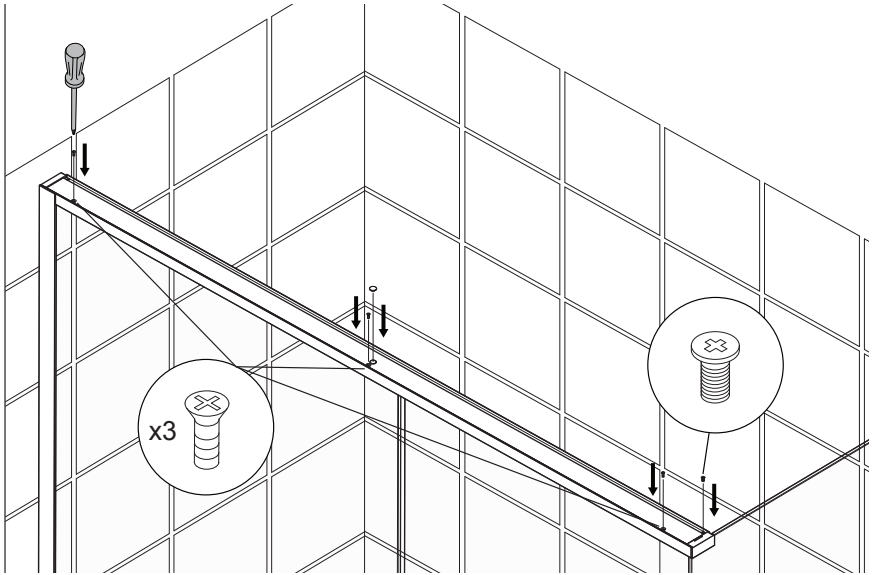
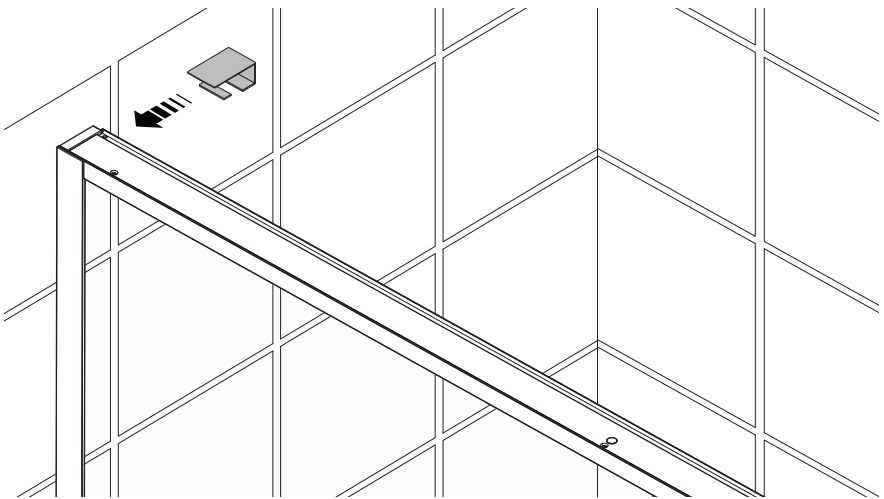
**15** Slide the lintel cover into place as illustrated below.





**16**

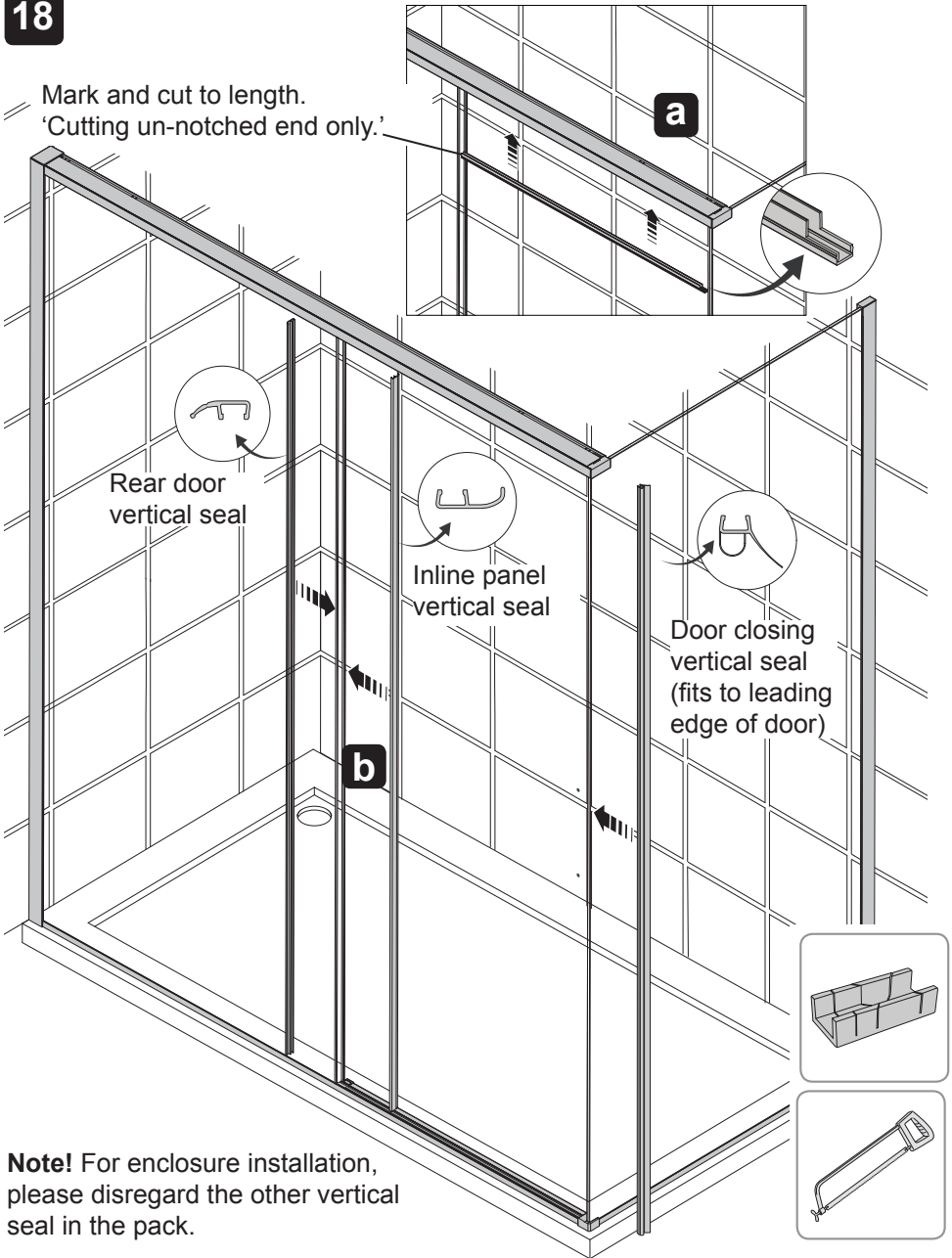
Screw the lintel cover down as illustrated below.  
Insert cover cap over lubrication access hole.

**17**

Select the correct handed bracket cover for your installation and push into place.

18

Mark and cut to length.  
'Cutting un-notched end only.'

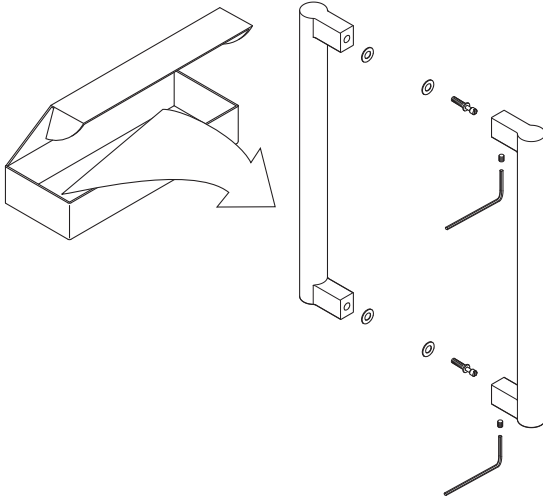
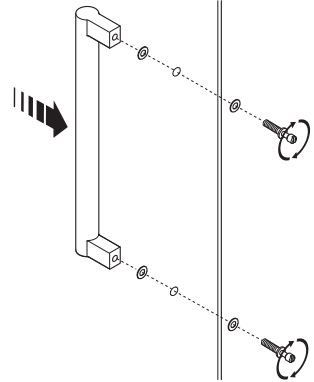
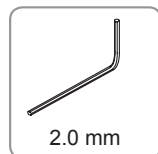
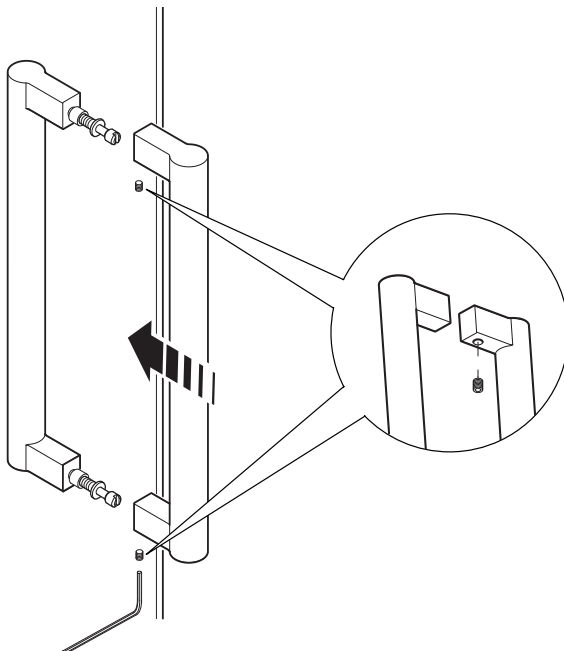


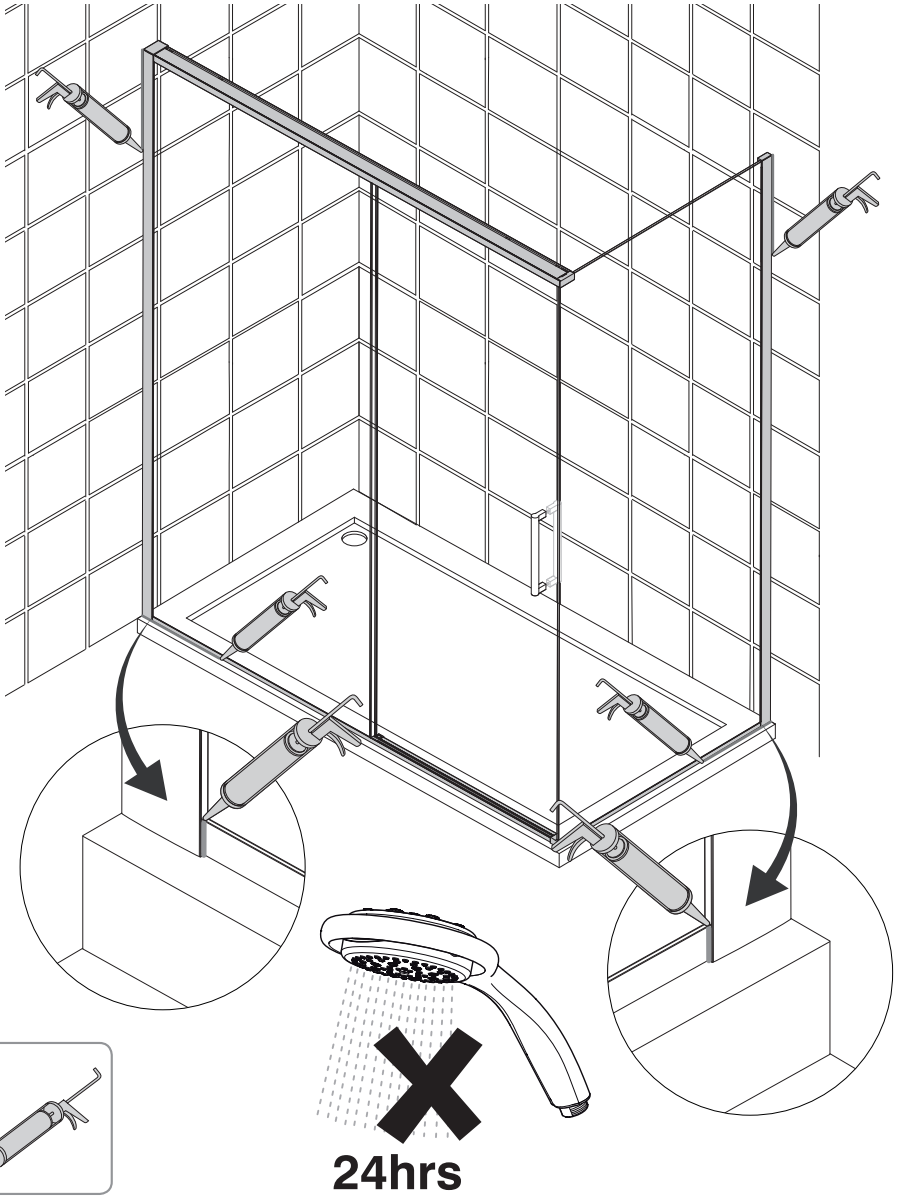
**Note!** For enclosure installation, please disregard the other vertical seal in the pack.

- (a) Cut the horizontal aluminium in-fill strip to length (cut un-notched end only), and push up into the top lintel as shown, the notched end towards the side panel.
- (b) Push the seals onto the door and in-line panel.

## 19 Handle Installation

Note! Handle installations are same for all the handle options.

**a****b****c**



- (a) Apply sealant in accordance with the sealant manufacturers instructions along the outside surfaces of the door frame only.
- (b) Allow the silicone sealant to cure for 24 hours before use.

# Maintenance

## General Maintenance

Providing the shower enclosure has been correctly installed and is operated in accordance with the instructions contained in this guide, difficulties should not arise. If any maintenance is required then it must be carried out by a competent tradesperson to whom the maintenance instructions are provided.

Before replacing any parts ensure the underlying cause of the malfunction has been resolved.

If the door becomes difficult to slide, then apply more lubrication via access hole in the top of the lintel.

## Cleaning

Warning! The use of grout/tile cleaners, scale removers, abrasive scourers, drain unblockers and other powerful detergents may lead to damage of metallic, plated and plastic surfaces, including the tray and shower waste.

Avoid the use of 'spray and leave' cleaners. Any cleaner used should have a pH level between 4 and 8 and immediately wiped dry using a soft cloth.

## Care

To preserve the beauty of your shower enclosure for many years, please observe the following care instructions:

Rinse glass and frame with clear water after showering. Remove water droplets with a squeegee. **Do not rub dry!** To clean your shower hygienically and easily, we recommend the use of a biodegradable cleanser.

Regular cleansing with a biodegradable cleanser prevents stubborn stains and ensures a clean and hygienic surface for many years. Do not use scouring or caustic cleansers under any circumstances! These can damage the surface of the frame, glass and decorative parts as well as the plastic parts.

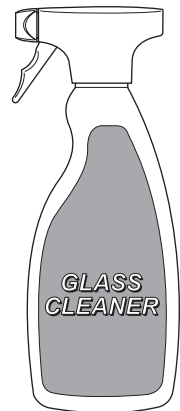
## Chrome Parts

Use only cleansers expressly specified for chrome!

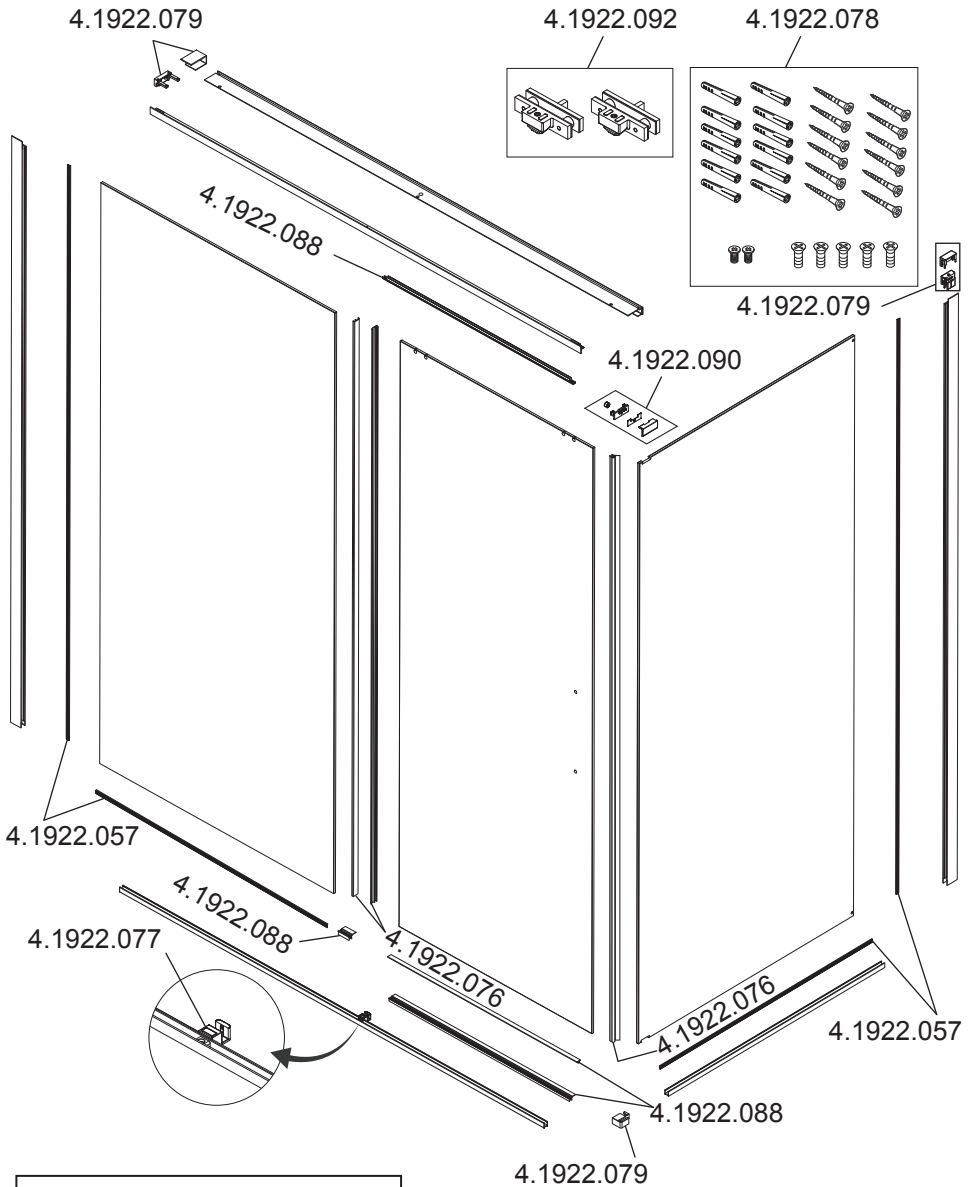
## KOHLER Glass Cleaner

For occasional cleaning of glass treated with KOHLER Glass Protector or for more regular maintenance of untreated surfaces, we recommend using KOHLER Glass Cleaner.

The cleaner cleans and polishes without smearing or streaking and rejuvenates the Glass Protector.



# Spare Parts



4.1922.108 | Spare Lubrication

# Declaration of Performance

## KOHLER.

### DECLARATION OF PERFORMANCE

Kohler Mira Ltd.  
Cromwell Road  
Cheltenham  
Gloucestershire  
GL52 5EP  
United Kingdom  
Tel: 0844 571 1155  
Fax: 0844 581 1100  
[www.kohlermira.co.uk](http://www.kohlermira.co.uk)

**Brand name:** Kohler Mira

**Product name:** Ascend & Composed Shower Enclosures (all sizes)

**Product Range:** Hinged Alcove Door  
Hinged Enclosure  
Sliding Alcove Door  
Sliding Door Enclosure  
Side Panel  
Wet Room Side Panel  
Wet Room Panel  
Wet Room Hinged Return Panel  
Bath Screen (In-line Panel with Hinged Door)

**Product type:** Domestic Shower Enclosure

**Manufacturer:** Kohler Mira Ltd  
Cromwell Road, Cheltenham  
Gloucestershire GL52 5EP  
United Kingdom

**Directives:** EU 305/2011 Construction Products Regulations

**System of assessment:** System 4  
Type testing / Factory production Control

**Standards:** EN 14428:2015.  
Shower enclosures – Functional requirements and test methods.

Essential Characteristics	Performance	Harmonised technical specification
IR-CA-DA	Compliant	EN 14428:2015

The performance of the products described above, are in conformity with the relevant community harmonisation legislation.

This declaration of performance is issued under the sole responsibility of Kohler Mira Ltd.

# CE 18

Signed for and on behalf of Kohler Mira Ltd.

**Signature:** 

**Name:** Jon Ramsdale  
**Place:** Cheltenham, UK  
**Doc. No.:** CE 0120

**Position:** NPD Director  
**Date:** 1<sup>st</sup> March 2018  
**Issue:** 1





## **Check out our full range of Shower Enclosures**

Quadrant Shower Enclosures

Corner Entry Shower Enclosures

Walk in Shower Enclosures

Sliding Shower Doors

Bifold Shower Doors

Pivot Shower Doors

Hinged Shower Doors

Shower Screens

## **From Top Brands**

Coram Shower Enclosures

Mira Shower Enclosures

Hydrolux Shower Enclosures

Diamond Shower Enclosures

## **With quality shower trays to match your enclosure**

Square Shower Trays

Rectangular Shower Trays

Quadrant Shower Trays

Coram Shower Trays

Mira Flight Shower Trays

**plumbworld**  
**Big brands, small prices.**