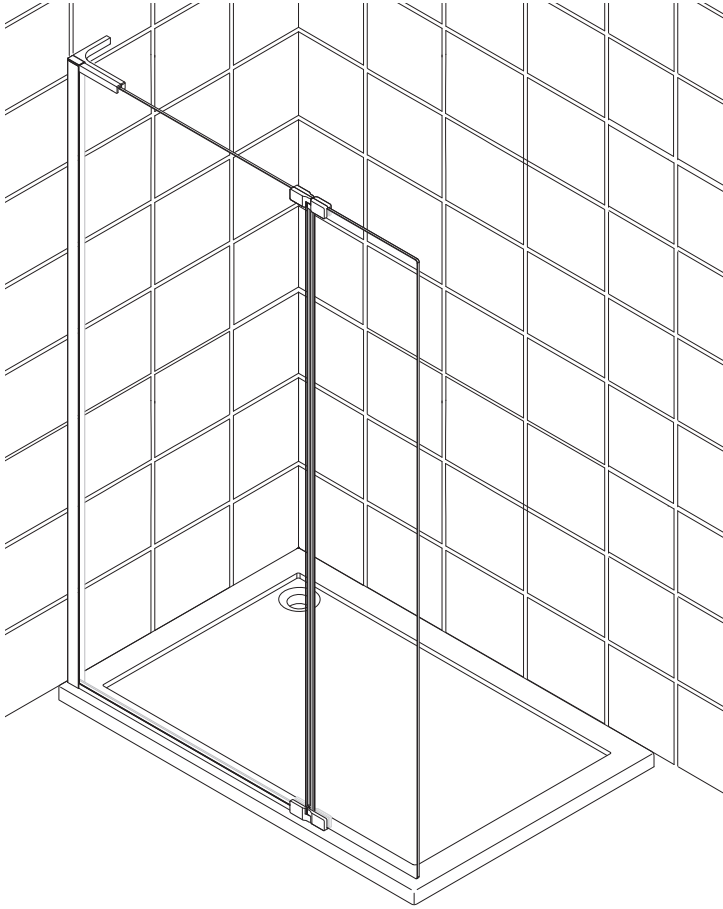


# Frameless Return Panel



These instructions must be left with the user

---

# Installation Guide

---



# Introduction

---

Thank you for purchasing a quality product. To enjoy the full potential of your new product, please take time to read this guide thoroughly, having done so, keep it handy for future reference.

The following pages aim to provide comprehensive installation instructions, plus advice on how to care and maintain your product.

We recommend that the unit is installed by a competent installer.

## General Information

---

### General

1. Read all of these instructions and retain this guide for later use.
2. Pass on this guide in the event of change of ownership of the installation site.
3. Follow all warnings, cautions and instructions contained in this guide.
4. Remove all protective tape from the enclosure before installation.
5. Excessive flow rates may lead to overflowing and leaking.
6. Water Spray may extend beyond the entrance of walk-in enclosures and we recommend tiling of the adjacent area.
7. We recommend a drainage test is carried out to ensure the waste is adequate for the flow delivered.
8. Doors that open outwards may drip water onto floor, ensure the floor covering will not be affected by water.
9. Walk ins and divider panels are designed to minimise water escaping outside the enclosure but by their very nature are not fully water tight.

### Safety Information

1. Care should be taken when drilling into walls and floors to avoid any hidden pipes or wires.
2. We strongly recommend that all glass panels are moved by a minimum of two people and that any protective packaging along the glass edges is kept in place for as long as possible to prevent damage before installation.
3. Wear protective footwear when lifting panels.
4. Wear safety glasses when drilling.

## Before Fitting the Enclosure

1. Ensure the tray is level and walls are vertical and square.
2. Shower fittings should be positioned such that water discharges down the centre line of a bath or across the opening of a shower cubicle door.
3. Ensure water is not directed at the shower door or side panels. This could result in water spraying outside of the enclosure.
4. Ensure the door opening is positioned correctly and is adequate for all users.
5. Ensure there is a complete silicone seal between the tray and finished wall.
6. Ensure the door is undamaged and no parts are missing.
7. Ensure the size of door/panel is suitable for the installation. Tempered safety glass cannot be cut.
8. Ensure nothing can impact the door or glass panels during operation.

## When Fitting the Enclosure

1. The wall channels must be installed onto a tiled or waterproof finished flat and even wall surface. Failure to do so will result in an unsatisfactory seal, which may cause property damage.
2. We recommend our enclosures are fitted onto shower trays.

**Warning!** The use of grout/tile cleaners, scale removers, abrasive scourers, drain unblockers and other powerful detergents may lead to damage of metallic, plated and plastic surfaces, including the tray and shower waste.

## Use of the Enclosure

1. High water pressure and flow may lead to excessive splashing causing water to escape outside of the enclosure.
2. In certain circumstances such as cleaning, water sprayed directly at the seals may escape outside of the enclosure.
3. With any walk in or open ended enclosure, splashing may cause water to escape outside of the enclosure.

# Guarantee

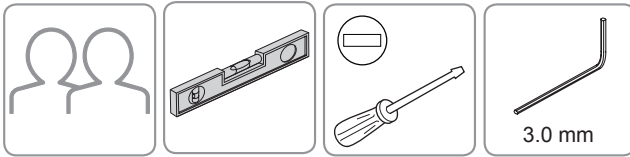
---

Your enclosure has the benefit of our guarantee which starts from date of purchase. For terms and conditions refer to the guarantee booklet packed with the product.

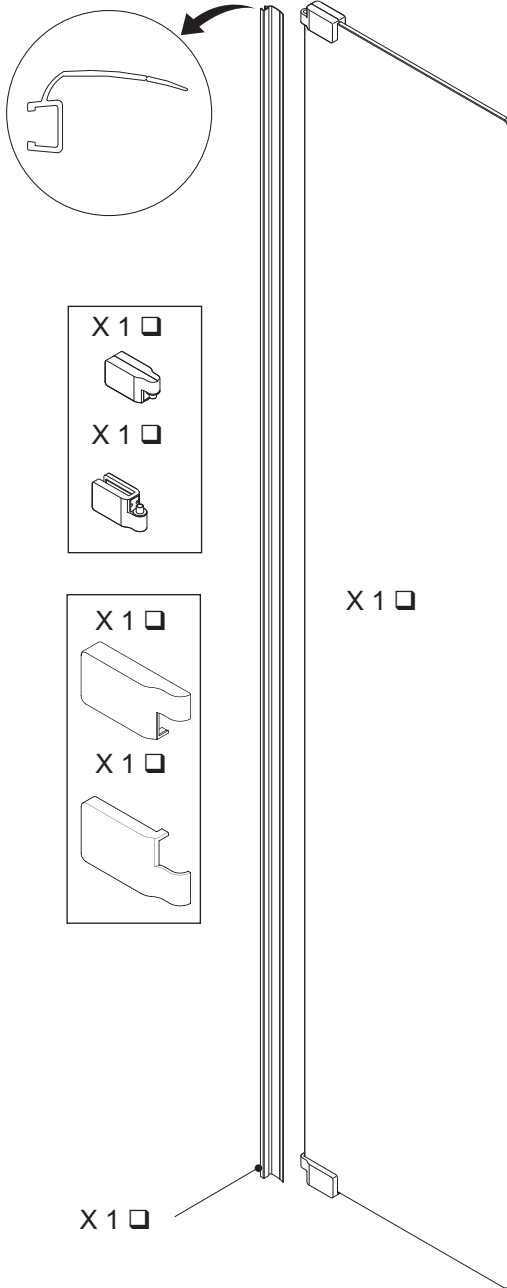
# Recommended Usage

Domestic	✓
Light Commercial	✓
Heavy Commercial	✗
Healthcare	✗

# Tools Required



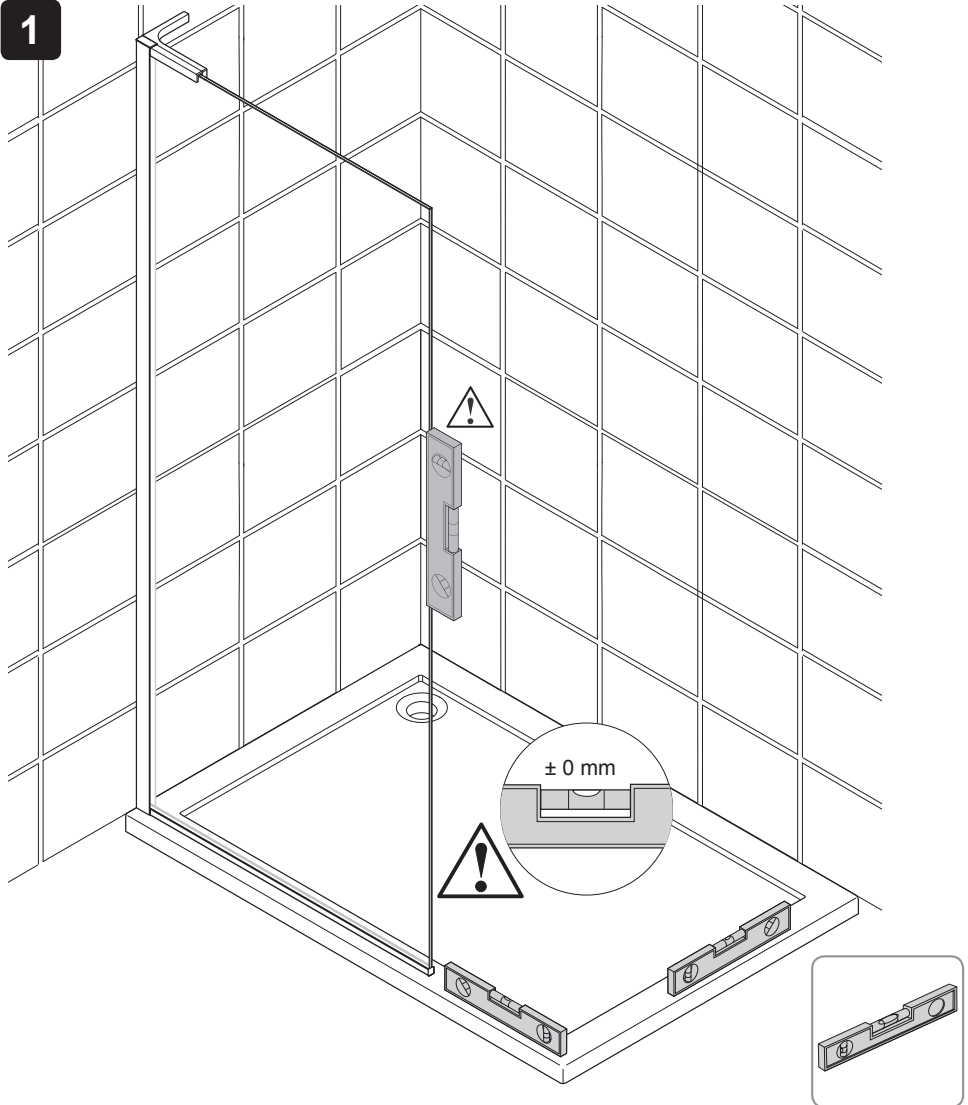
# Pack Contents



# Installation

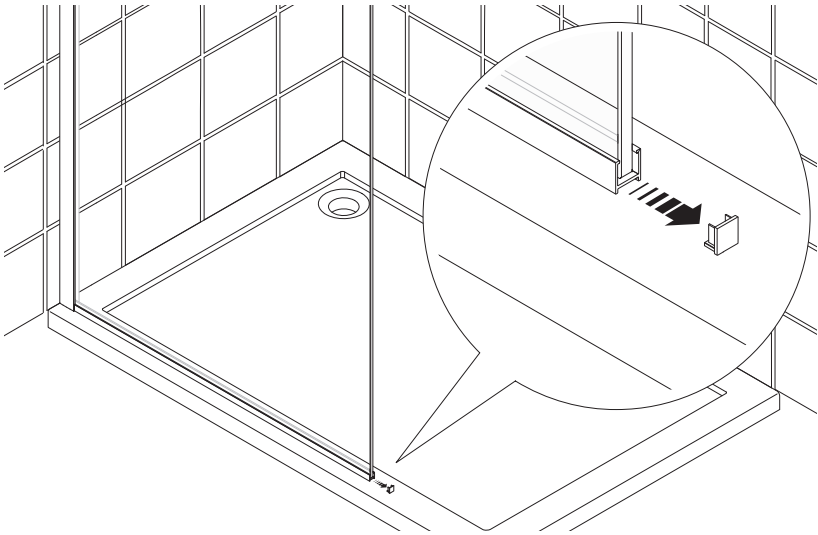
**Note!** This panel can only be installed with the 8 mm frameless enclosure range.

**Note!** The Divider Panel can be installed on LH or RH side according to your requirement.



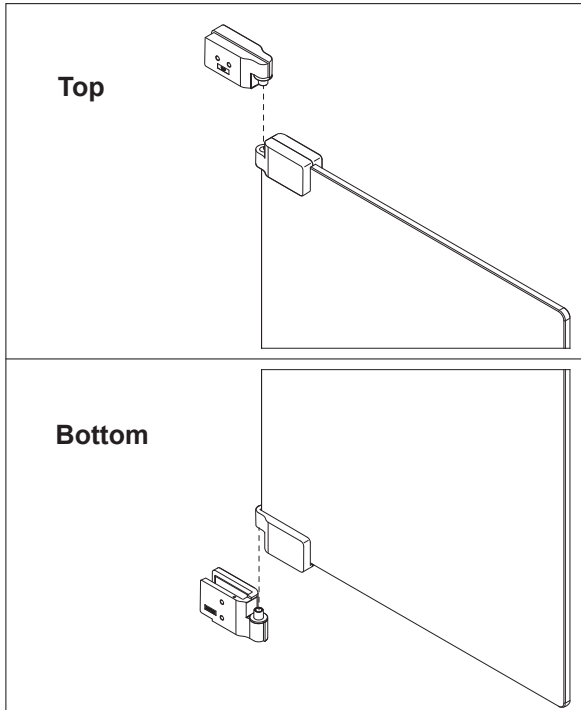
- (a) Install the Divider Panel in accordance with the manufacturer's instructions.  
**Caution!** Make sure that the shower tray and divider panel are level.

2



(a) If you are adding this panel to a pre-existing 8 mm frameless divider panel, you must remove the H section end cap.

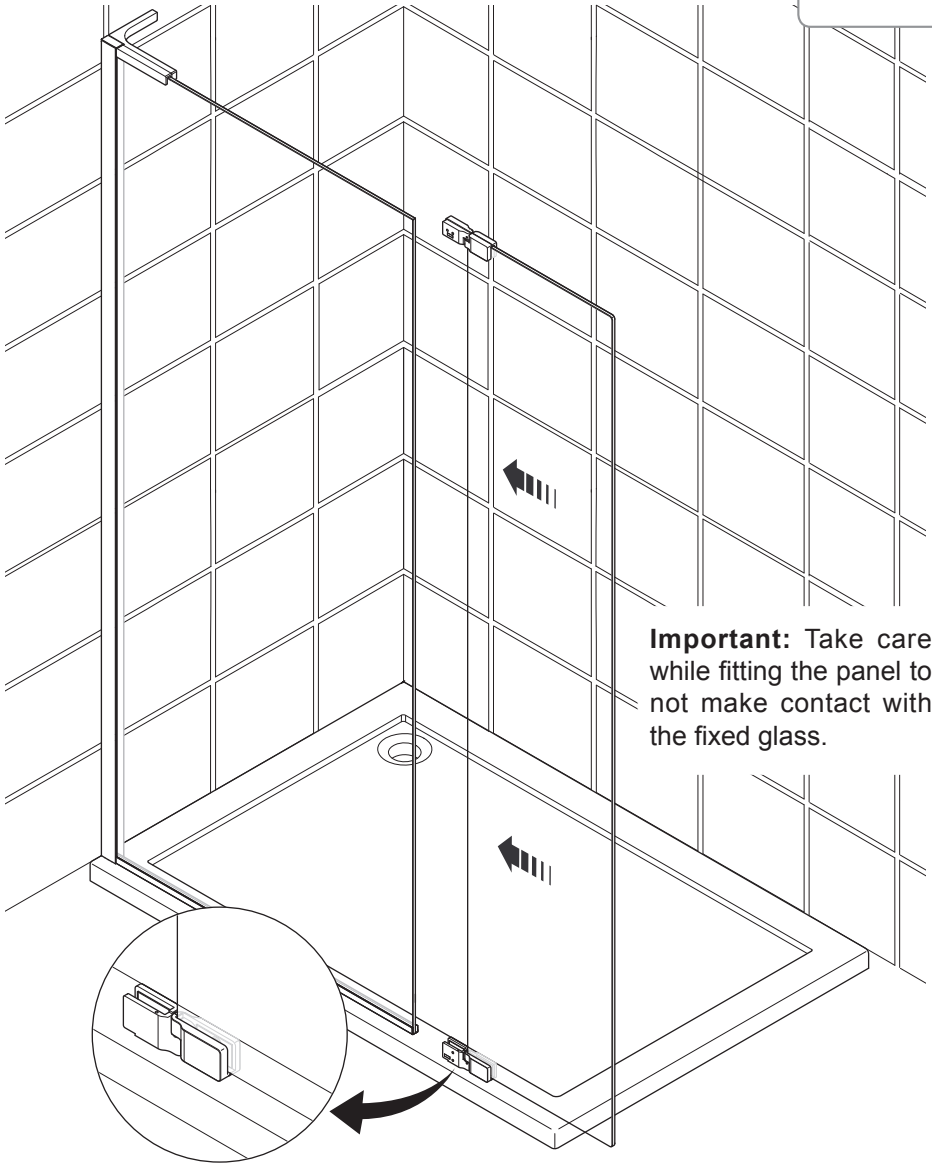
3



(a) Assemble the hinges at the top and the bottom of return panel.



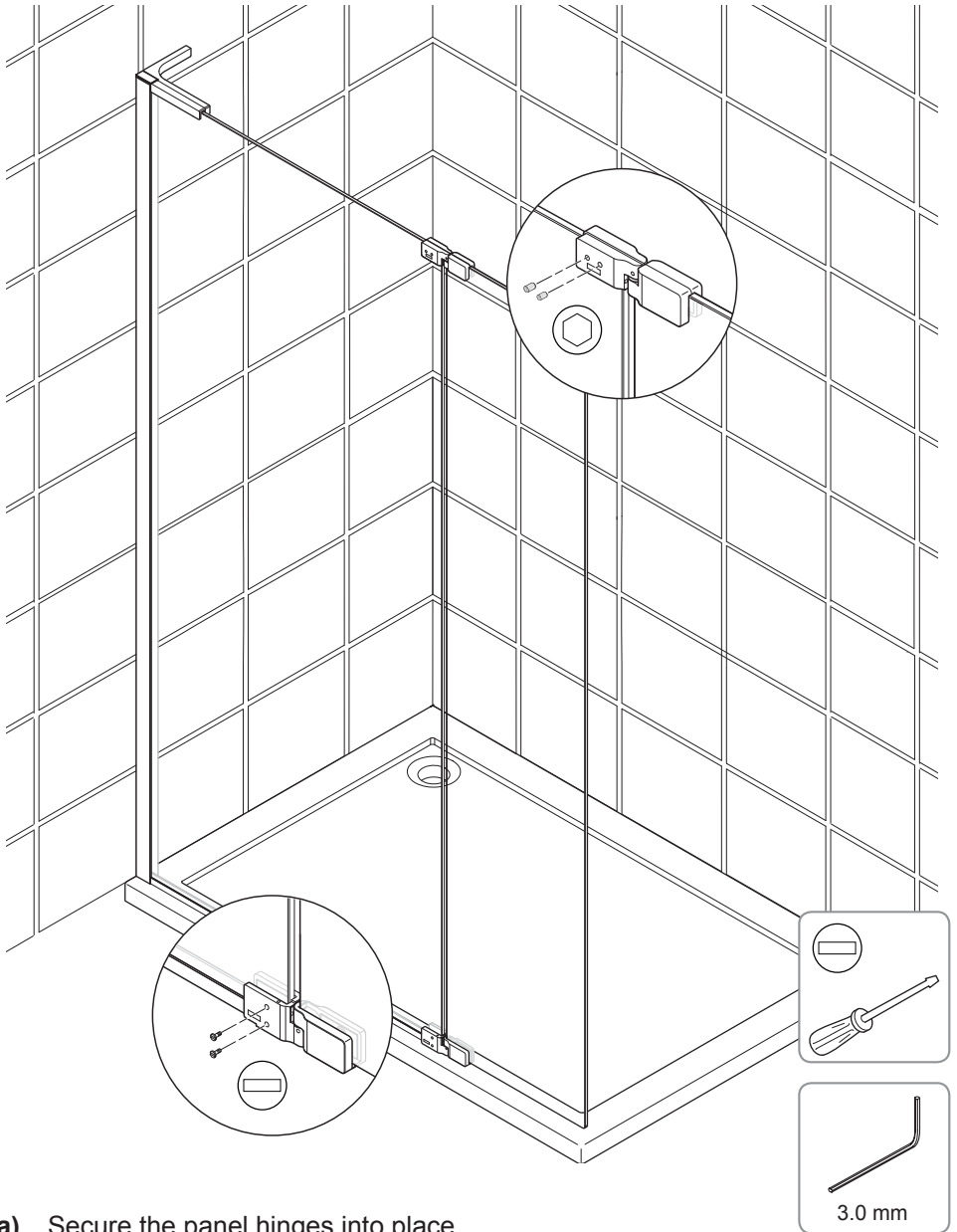
4



**Important:** Take care while fitting the panel to not make contact with the fixed glass.

(a) Slide the return panel hinges over the glass.

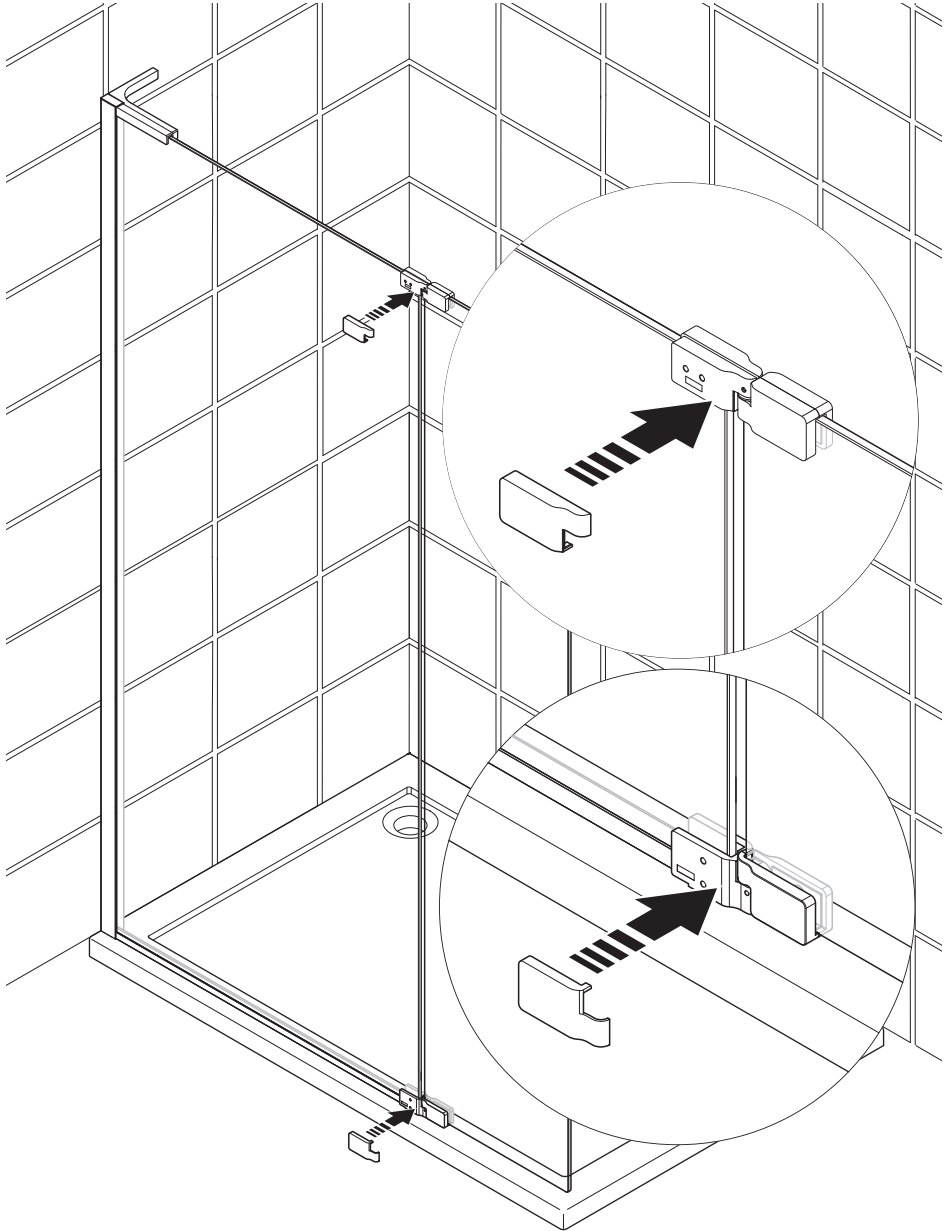
5



(a) Secure the panel hinges into place.

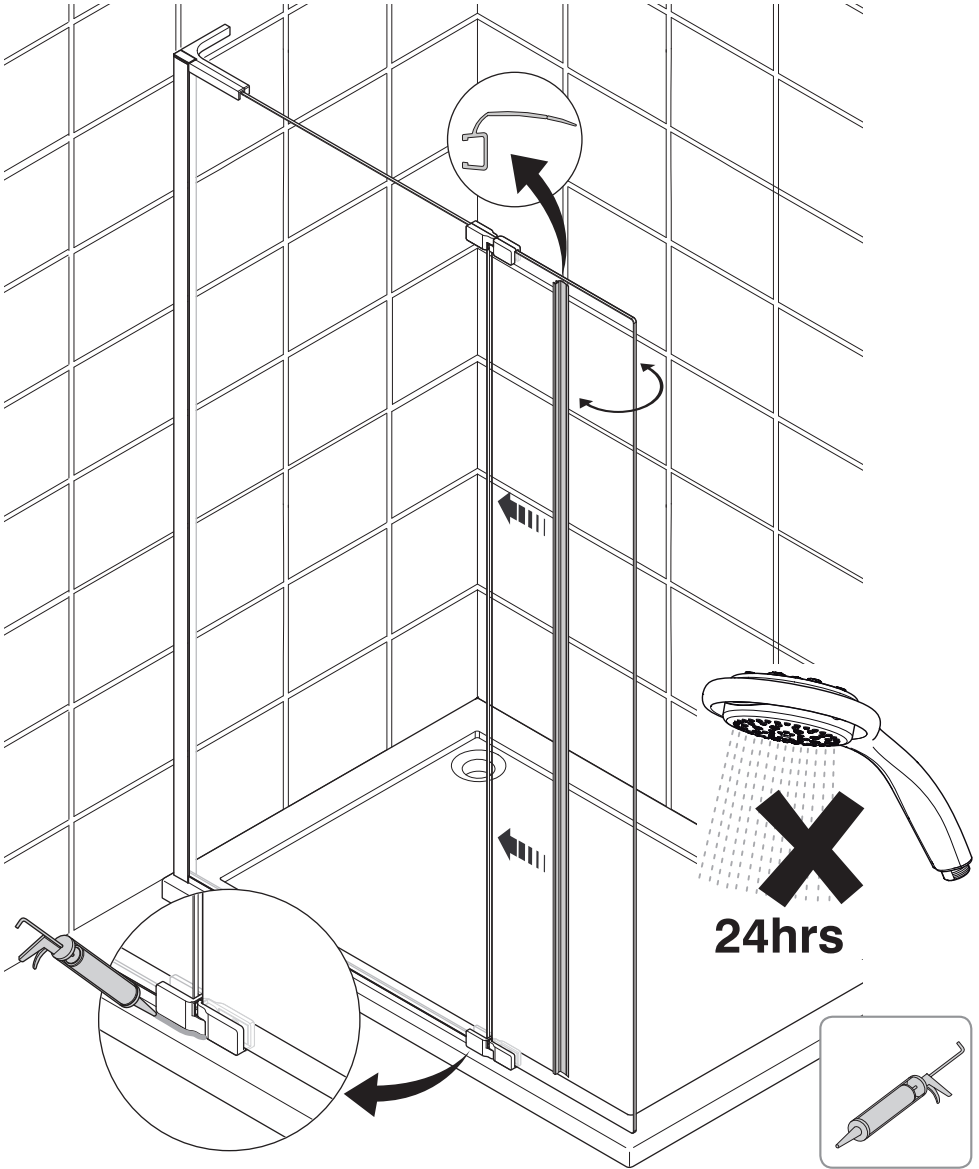
**Note!** The screw fixings may be on the inside OR outside of the screen depending on your installation handing.

6



(a) Push covers of Top and Bottom hinges into place.

## 7 Installed Return Panel



- (a) Open the door 90° and fit the seal to the divider panel.
- (b) Apply sealant in accordance with the sealant manufacturers instructions along the fixed panel hinge only. Allow the silicone sealant to cure for 24 hours before use.

# Maintenance

---

## General Maintenance

Providing the shower enclosure has been correctly installed and is operated in accordance with the instructions contained in this guide, difficulties should not arise. If any maintenance is required then it must be carried out by a competent tradesperson to whom the maintenance instructions are provided.

Before replacing any parts ensure the underlying cause of the malfunction has been resolved.

## Cleaning

Warning! The use of grout/tile cleaners, scale removers, abrasive scourers, drain unblockers and other powerful detergents may lead to damage of metallic, plated and plastic surfaces, including the tray and shower waste.

Avoid the use of 'spray and leave' cleaners. Any cleaner used should have a pH level between 4 and 8 and immediately wiped dry using a soft cloth.

## Care

To preserve the beauty of your shower enclosure for many years, please observe the following care instructions:

Rinse glass and frame with clear water after showering. Remove water droplets with a squeegee. **Do not rub dry!** To clean your shower hygienically and easily, we recommend the use of a biodegradable cleanser.

Regular cleansing with a biodegradable cleanser prevents stubborn stains and ensures a clean and hygienic surface for many years. Do not use scouring or caustic cleansers under any circumstances! These can damage the surface of the frame, glass and decorative parts as well as the plastic parts.

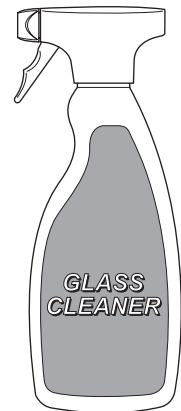
## Chrome Parts

Use only cleansers expressly specified for chrome!

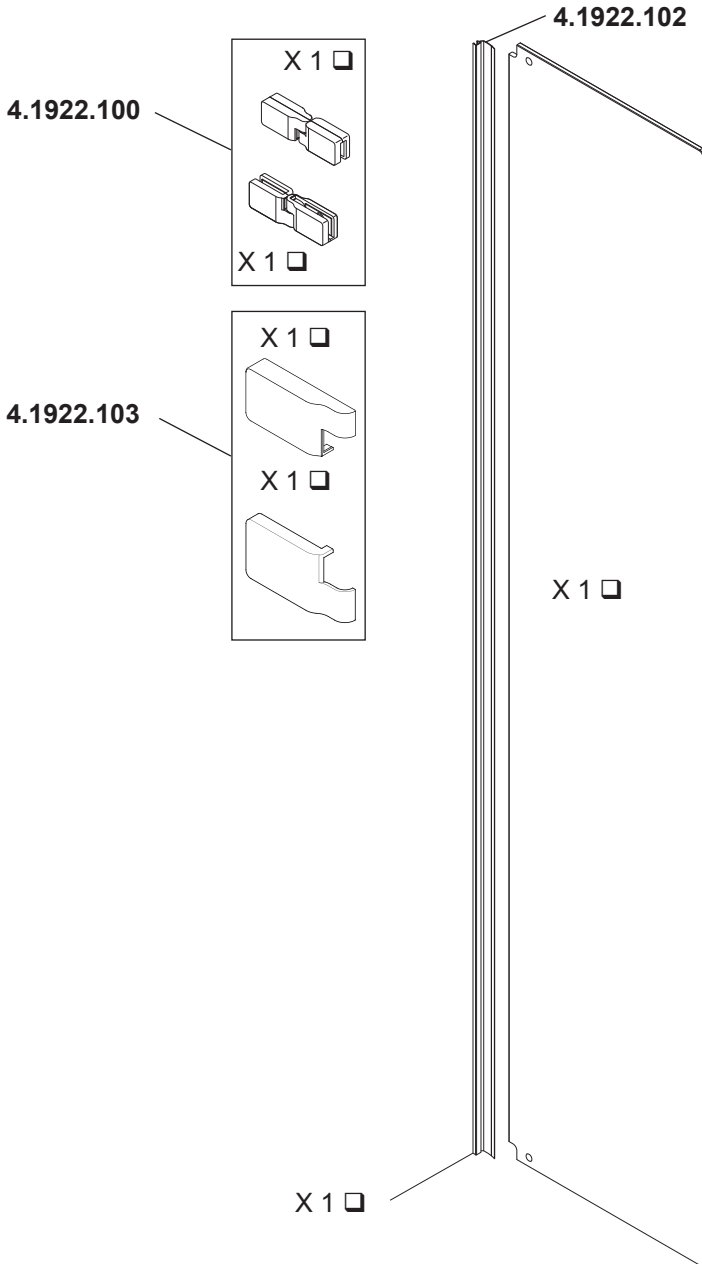
## KOHLER Glass Cleaner

For occasional cleaning of glass treated with KOHLER Glass Protector or for more regular maintenance of untreated surfaces, we recommend using KOHLER Glass Cleaner.

The cleaner cleans and polishes without smearing or streaking and rejuvenates the Glass Protector.



# Spare Parts



# Declaration of Performance

## KOHLER.

### DECLARATION OF PERFORMANCE

Kohler Mira Ltd.  
Cromwell Road  
Cheltenham  
Gloucestershire  
GL52 5EP  
United Kingdom  
Tel: 0844 571 1155  
Fax: 0844 581 1100  
[www.kohlermira.co.uk](http://www.kohlermira.co.uk)

**Brand name:** Kohler Mira

**Product name:** Ascend & Composed Shower Enclosures (all sizes)

**Product Range:** Hinged Alcove Door  
Hinged Enclosure  
Sliding Alcove Door  
Sliding Door Enclosure  
Side Panel  
Wet Room Side Panel  
Wet Room Panel  
Wet Room Hinged Return Panel  
Bath Screen (In-line Panel with Hinged Door)

**Product type:** Domestic Shower Enclosure

**Manufacturer:** Kohler Mira Ltd  
Cromwell Road, Cheltenham  
Gloucestershire GL52 5EP  
United Kingdom

**Directives:** EU 305/2011 Construction Products Regulations

**System of assessment:** System 4  
Type testing / Factory production Control

**Standards:** EN 14428:2015.  
Shower enclosures – Functional requirements and test methods.

Essential Characteristics	Performance	Harmonised technical specification
IR-CA-DA	Compliant	EN 14428:2015

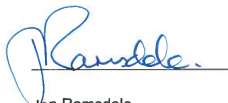
The performance of the products described above, are in conformity with the relevant community harmonisation legislation.

This declaration of performance is issued under the sole responsibility of Kohler Mira Ltd.

# CE 18

Signed for and on behalf of Kohler Mira Ltd.

**Signature:**



**Name:** Jon Ramsdale  
**Place:** Cheltenham, UK  
**Doc. No.:** CE 0120

**Position:** NPD Director  
**Date:** 1<sup>st</sup> March 2018  
**Issue:** 1





## **Check out our full range of Shower Enclosures**

Quadrant Shower Enclosures

Corner Entry Shower Enclosures

Walk in Shower Enclosures

Sliding Shower Doors

Bifold Shower Doors

Pivot Shower Doors

Hinged Shower Doors

Shower Screens

## **From Top Brands**

Coram Shower Enclosures

Mira Shower Enclosures

Hydrolux Shower Enclosures

Diamond Shower Enclosures

## **With quality shower trays to match your enclosure**

Square Shower Trays

Rectangular Shower Trays

Quadrant Shower Trays

Coram Shower Trays

Mira Flight Shower Trays

**plumbworld**  
**Big brands, small prices.**

## **Check out our full range of Shower Enclosures**

Quadrant Shower Enclosures

Corner Entry Shower Enclosures

Walk in Shower Enclosures

Sliding Shower Doors

Bifold Shower Doors

Pivot Shower Doors

Hinged Shower Doors

Shower Screens

## **From Top Brands**

Coram Shower Enclosures

Mira Shower Enclosures

Hydrolux Shower Enclosures

Diamond Shower Enclosures

## **With quality shower trays to match your enclosure**

Square Shower Trays

Rectangular Shower Trays

Quadrant Shower Trays

Coram Shower Trays

Mira Flight Shower Trays

**plumbworld**  
**Big brands, small prices.**