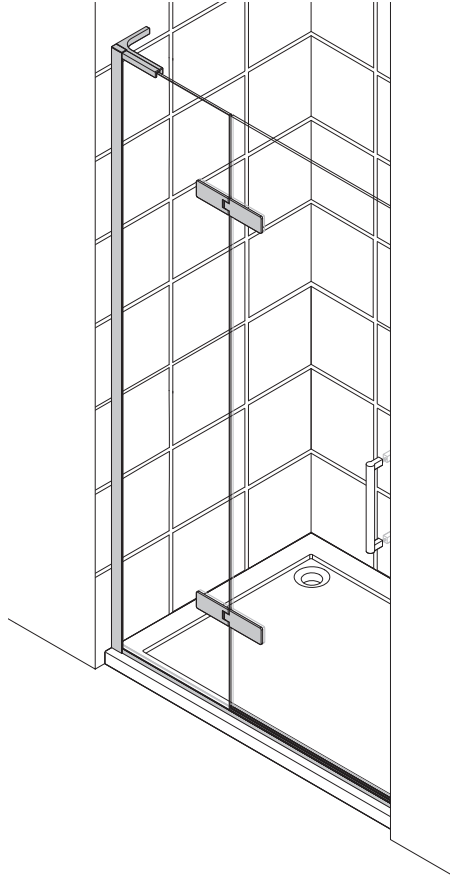


Frameless Hinged Door - Alcove



These instructions must be left with the user

Installation Guide

Introduction

Thank you for purchasing a quality product. To enjoy the full potential of your new product, please take time to read this guide thoroughly, having done so, keep it handy for future reference.

The following pages aim to provide comprehensive installation instructions, plus advice on how to care and maintain your product.

We recommend that the unit is installed by a qualified plumber or engineer.

General Information

General

1. Read all of these instructions and retain this guide for later use.
2. Pass on this guide in the event of change of ownership of the installation site.
3. Follow all warnings, cautions and instructions contained in this guide.
4. Remove all protective tape from the enclosure before installation.
5. Excessive flow rates may lead to overflowing and leaking.
6. Water Spray may extend beyond the entrance of walk-in enclosures and we recommend tiling of the adjacent area.
7. We recommend a drainage test is carried out to ensure the waste is adequate for the flow delivered.
8. Doors that open outwards may drip water onto floor, ensure the floor covering will not be affected by water.
9. Walk ins and divider panels are designed to minimise water escaping outside the enclosure but by their very nature are not fully water tight.

Safety Information

1. Care should be taken when drilling into walls and floors to avoid any hidden pipes or wires.
2. We strongly recommend that all glass panels are moved by a minimum of two people and that any protective packaging along the glass edges is kept in place for as long as possible to prevent damage before installation.
3. During installation we recommend additional help in lifting heavy doors and side panels.
4. Wear protective footwear when lifting panels.
5. Wear safety glasses when drilling.

Before Fitting the Enclosure

1. Ensure the tray is level and walls are vertical and square.
2. Shower fittings should be positioned such that water discharges down the centre line of a bath or across the opening of a shower cubicle door.
3. Ensure water is not directed at the shower door or side panels. This could result in water spraying outside of the enclosure.
4. Ensure the door opening is positioned correctly and is adequate for all users.
5. Ensure there is a complete silicone seal between the tray and finished wall.
6. Ensure the door is undamaged and no parts are missing.
7. Ensure the size of door/panel is suitable for the installation. Tempered safety glass cannot be cut.
8. Ensure nothing can impact the door or glass panels during operation.

When Fitting the Enclosure

1. The wall channels must be installed onto a tiled or waterproof finished flat and even wall surface. Failure to do so will result in an unsatisfactory seal, which may cause property damage.
2. We recommend our enclosures are fitted onto shower trays.

Warning! The use of grout/tile cleaners, scale removers, abrasive scourers, drain unblockers and other powerful detergents may lead to damage of metallic, plated and plastic surfaces, including the tray and shower waste.

Use of the Enclosure

1. High water pressure and flow may lead to excessive splashing causing water to escape outside of the enclosure.
2. In certain circumstances such as cleaning, water sprayed directly at the seals may escape outside of the enclosure.

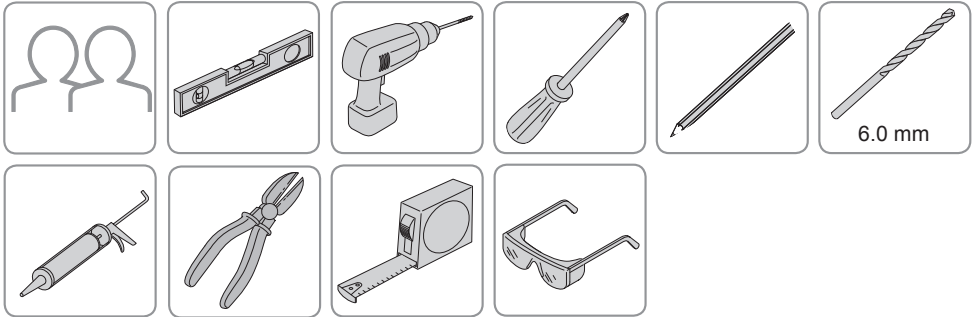
Guarantee

Your enclosure has the benefit of our guarantee which starts from date of purchase. For terms and conditions refer to the guarantee booklet packed with the product.

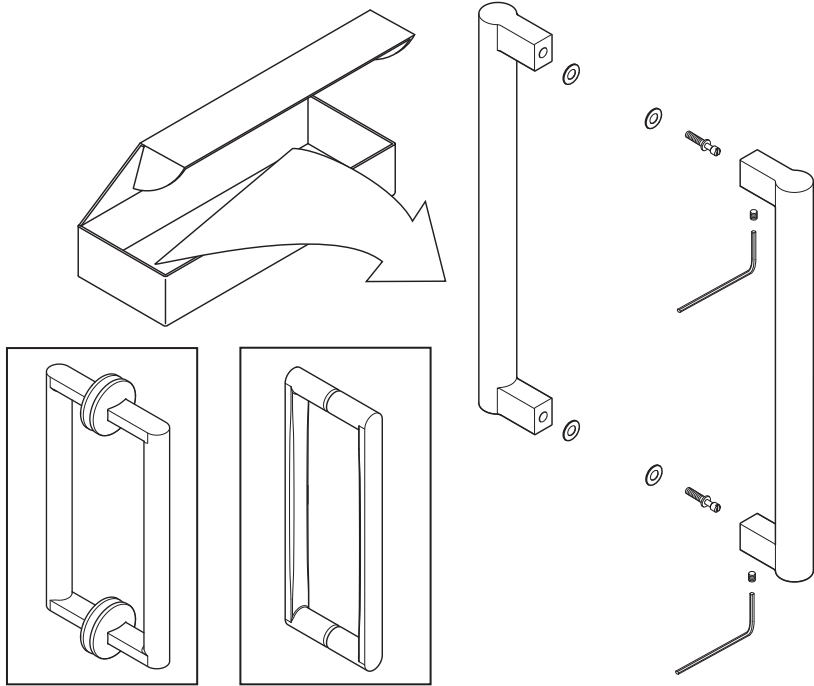
Recommended Usage



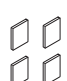
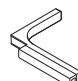











Domestic	✓
Light Commercial	✓
Heavy Commercial	✗
Healthcare	✗

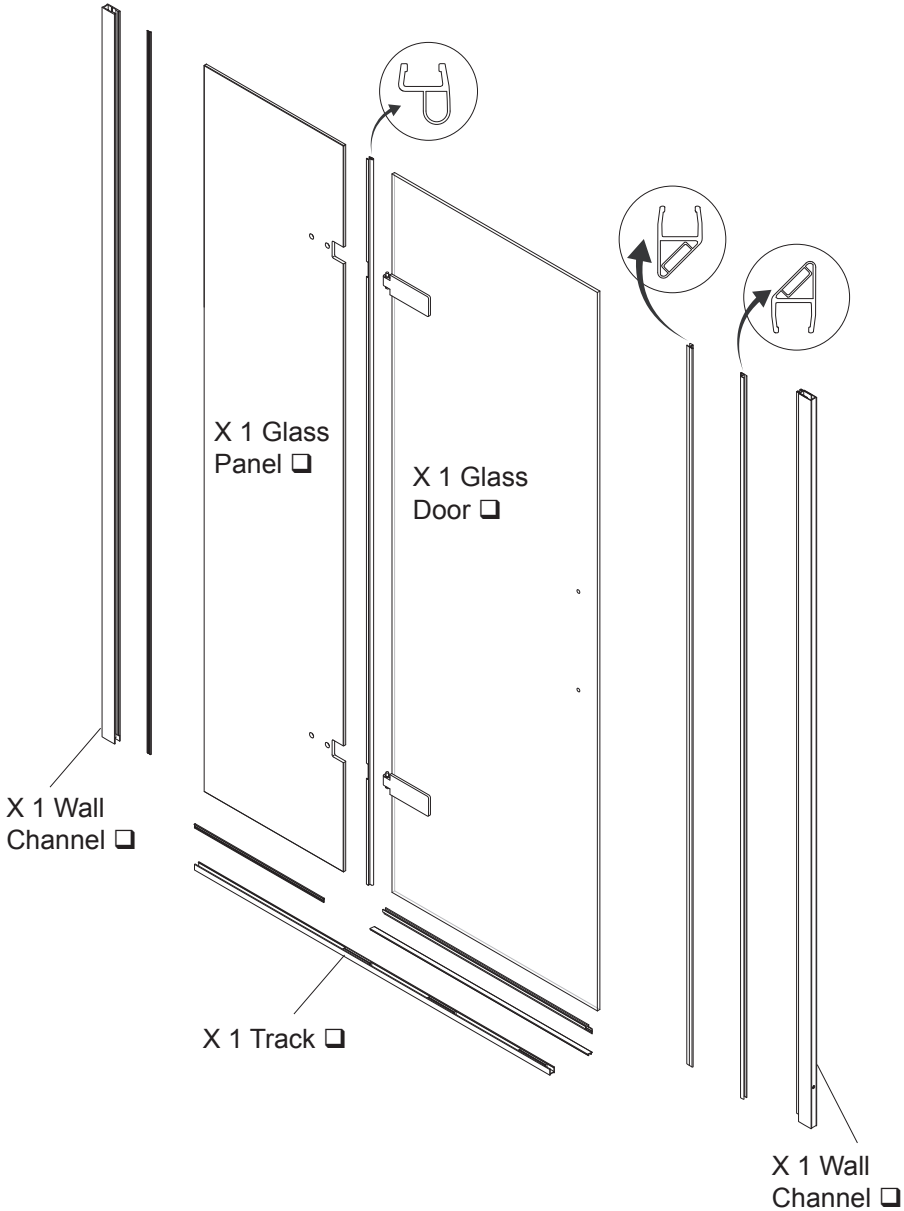
Tools Required



Pack Contents



				
X 10 □	X 10 □	X 4 □	X 1 □	X 4 □
				
X 1 □	X 1 □	X 2 □	X 2 □	3.0 mm X 1 □
				
X 1 □	X 2 □	X 2 □	X 4 □	4.0 mm X 1 □

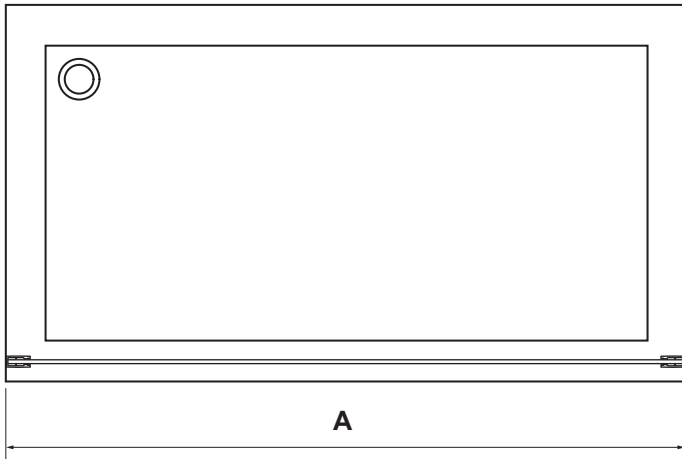


Adjustment Dimensions

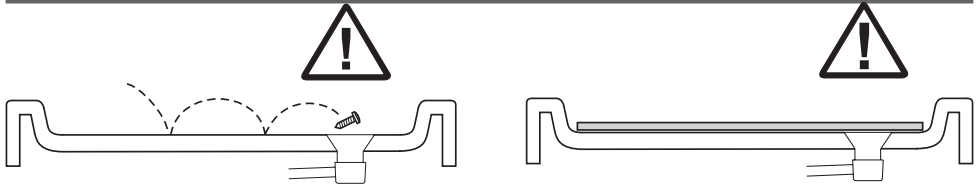
Measurements are taken from tiled surface to tiled surface

Enclosure Width (A)			
Enclosure Width	Min	Max	Adjustment
800	760	800	40
900	860	900	40
1000	960	1000	40
1200	1160	1200	40
1400	1360	1400	40

All measurements shown are in mm



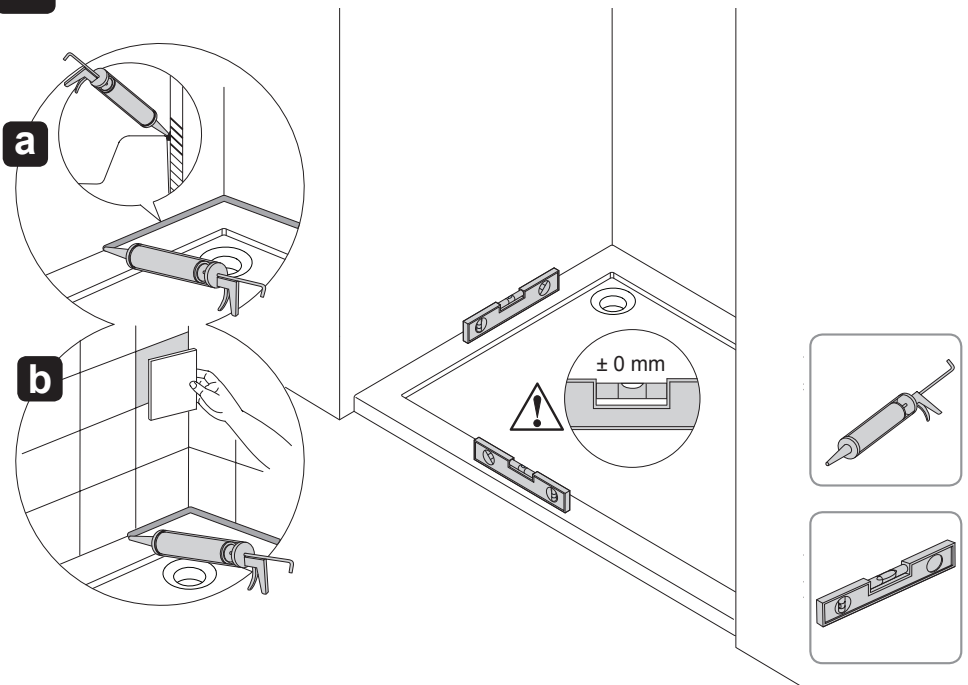
Installation



Note! Cover the tray waste to prevent the loss of small parts.

Note! Protect the tray surface during enclosure installation.

1

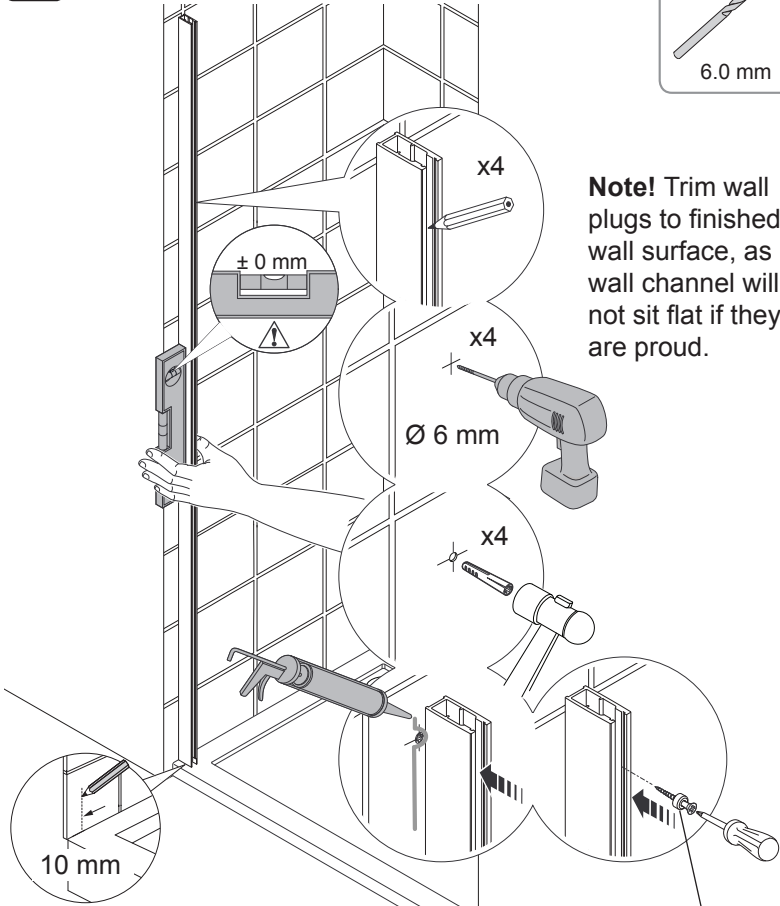
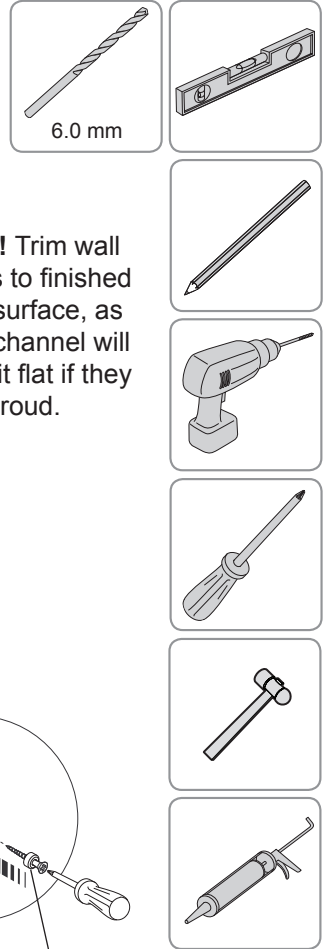


Note! Make sure that the walls have been tiled down to the tray. Make sure the Tray is level. Make sure the walls are flat and square.

(a) Install the shower tray in accordance with the manufacturer's instructions.

Caution! Make sure that the shower tray is level and that the walls are vertical and square.

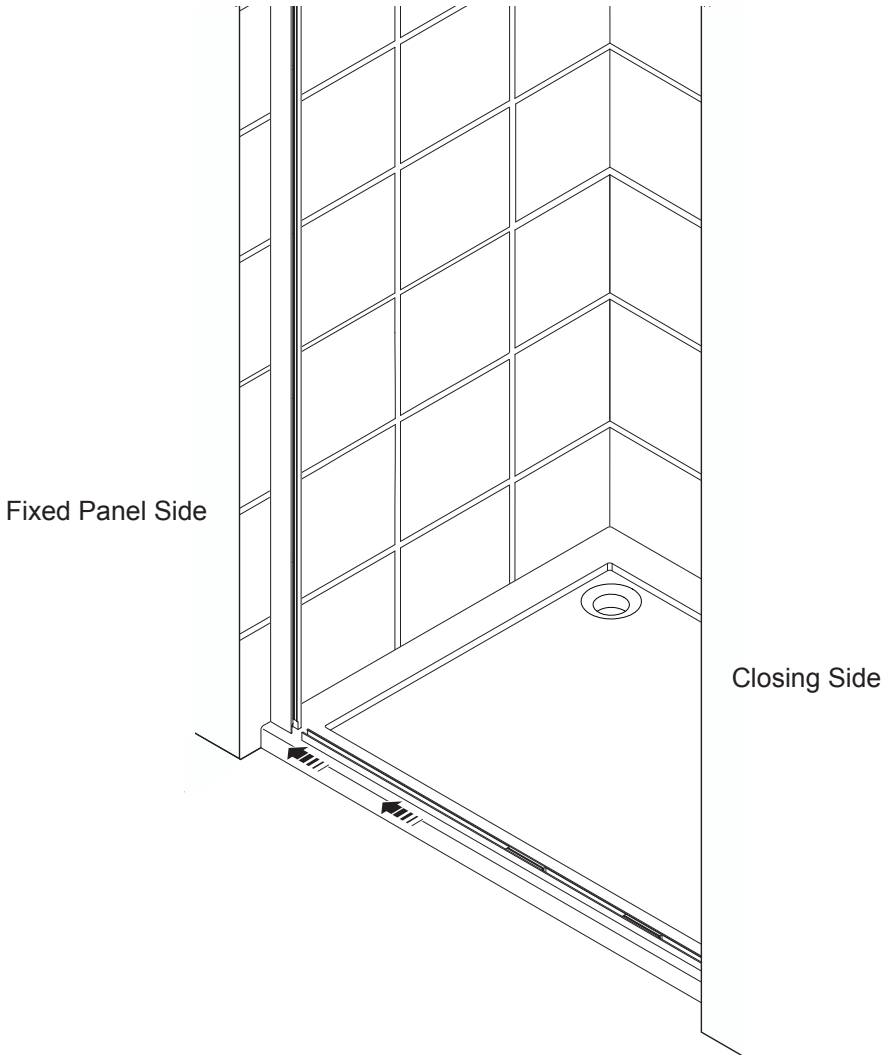
2 Fixed Panel Wall Channel



Note! Use hand screw driver only to avoid damage to plastic spacers.

- (a) Position the wall channel on the wall so that the cut out is at the bottom. Using a spirit level make sure that it is upright and 10 mm from the edge of the tray.
- (b) Mark the position of the fixing holes, then remove the wall channel.
- (c) Drill with a 6 mm masonry bit (not supplied) and plug using the wall plugs (supplied).
- (d) Position the wall channel on the wall and partially install the fixing screws. Ensure that the screw head spacers are fitted to the screws.
- (e) Apply silicone sealant according to the manufacturers instructions along the length of the wall and at the bottom of the wall channel.
- (f) Fully tighten the fixing screws, making sure that the wall channel is upright.

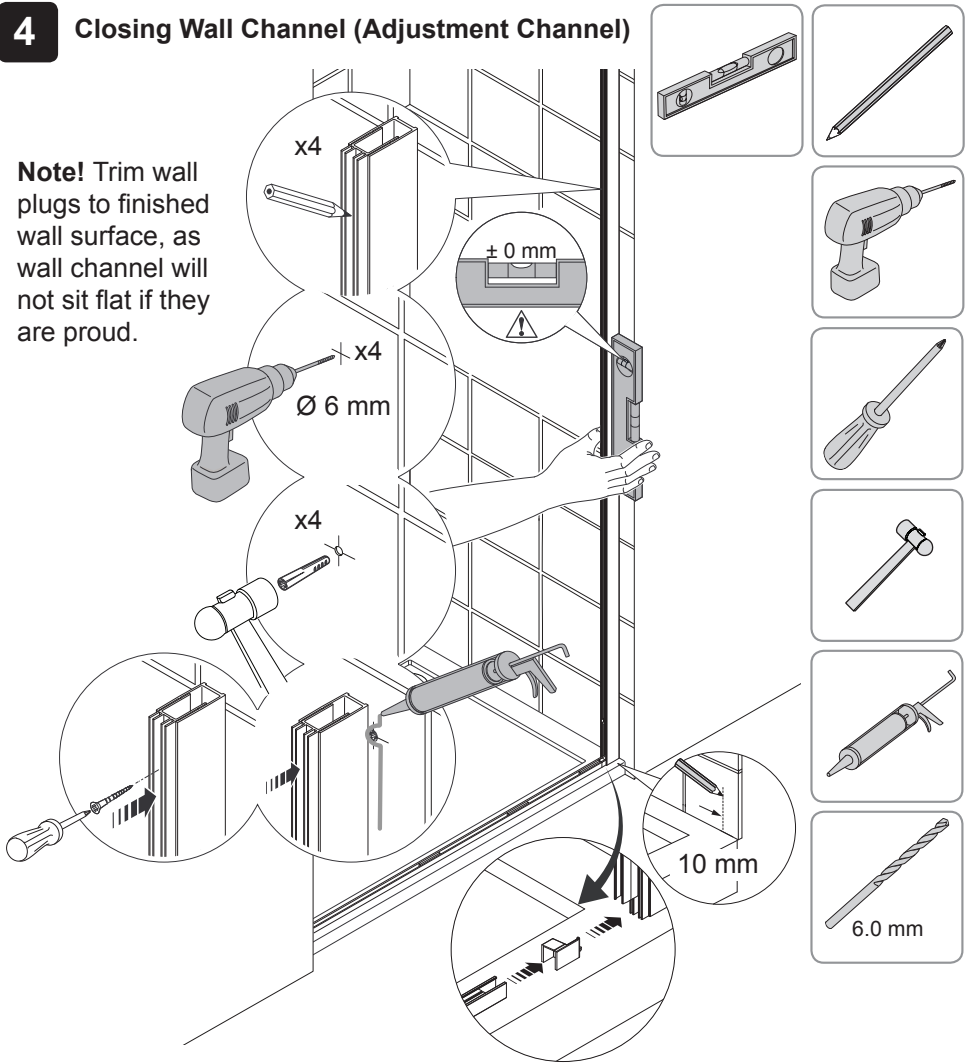
3



Note! Position the track so that the black gasket is on the fixed panel side for the glass to rest on and that the locating blocks are on the open door side.

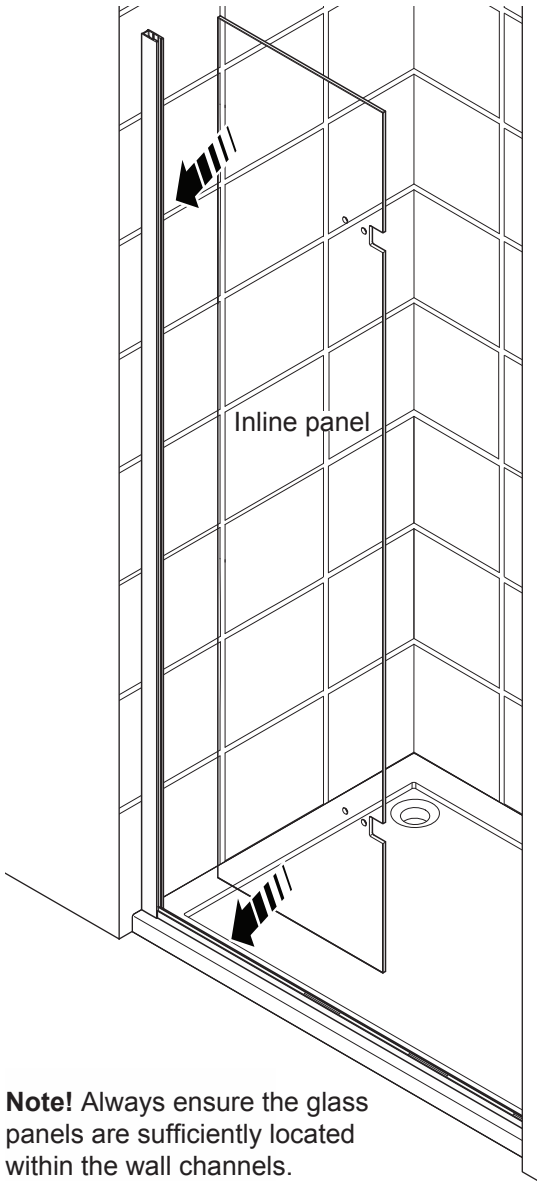
4 Closing Wall Channel (Adjustment Channel)

Note! Trim wall plugs to finished wall surface, as wall channel will not sit flat if they are proud.



- (a) Position the second wall channel on the wall so that the cut out is at the bottom. Using a spirit level make sure that it is upright.
- (b) Mark the position of the fixing holes, then remove the wall channel.
- (c) Drill with a 6 mm masonry bit (not supplied) and plug using the wall plugs (supplied).
- (d) Position the wall channel on the wall and partially install the fixing screws.
- (e) Apply silicone sealant according to the manufacturers instructions along the length of the wall and at the bottom of the wall channel.
- (f) Fully tighten the fixing screws, making sure that the wall channel is upright.
- (g) Push fit the joining block along with the track into the wall channel.

5 Install the inline panel



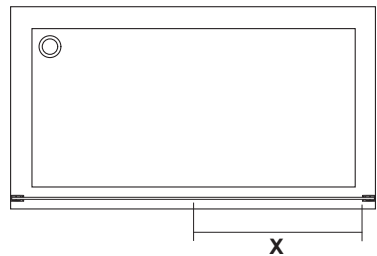
Note! Always ensure the glass panels are sufficiently located within the wall channels.

- (a) Install the glass panel into the wall channel that had been secured to the wall earlier. Use the dimension from the table for your correct alcove size. This will give you the nominal distance for your door opening, from the edge of the glass to the closing wall channel.

Note! Insert the glass noting the correct orientation. This is indicated by the label on the glass.

Inline Panel to Closing Wall Channel Dimension (X)		
Enclosure Width	Enclosure Height	(X)
800	2000	507
900	2000	557
1000	2000	657
1200	2000	657
1400	2000	657

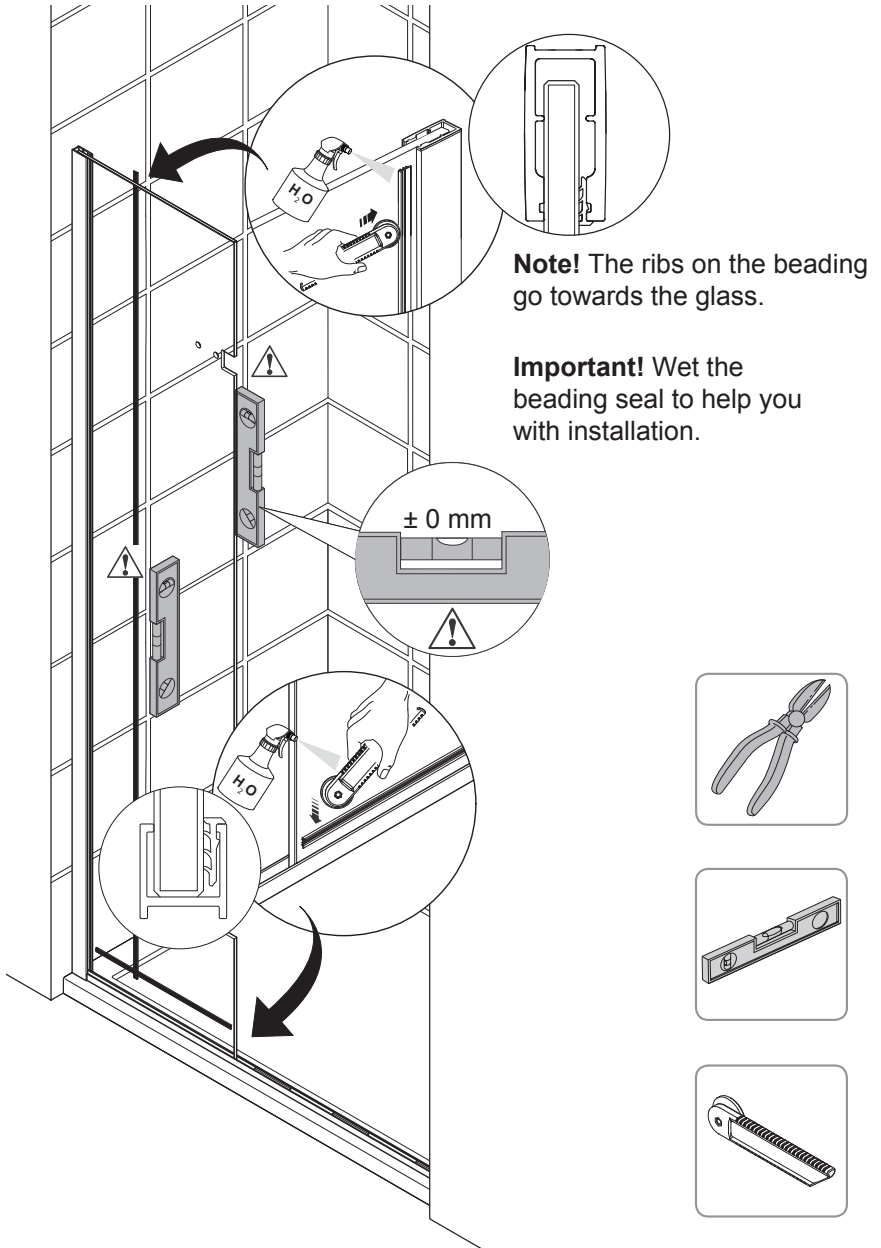
*Dimensions are in mm.



Note! This dimension is important to ensure that the magnetic seals meet.

Note! Packers may be required between the glass and the track in order to level the panel.

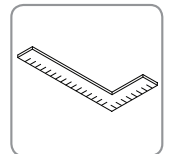
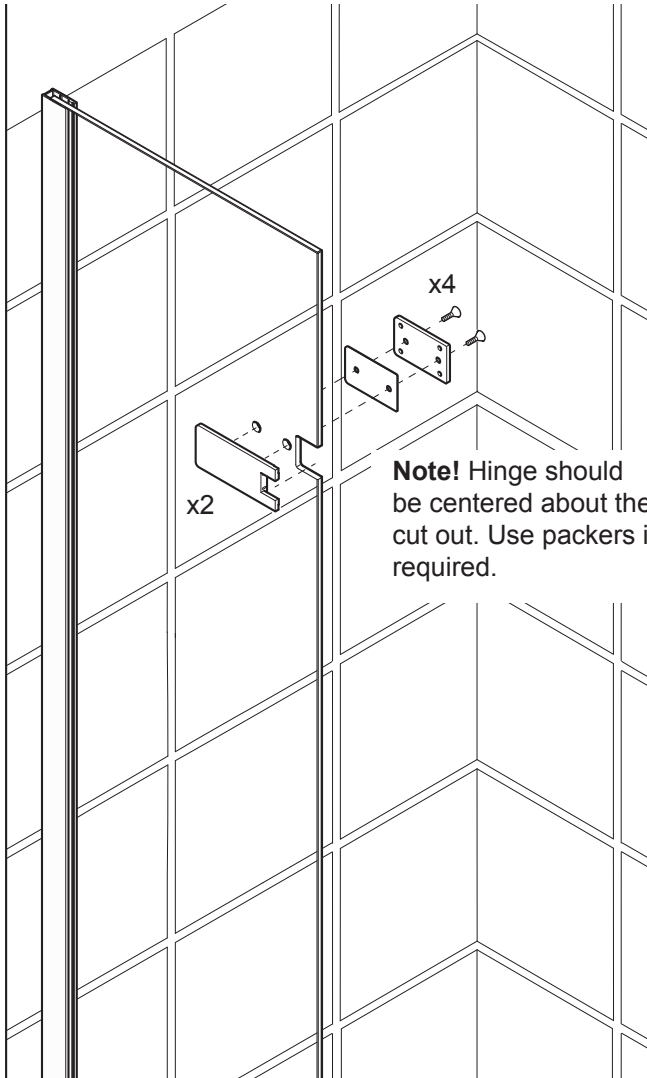
6



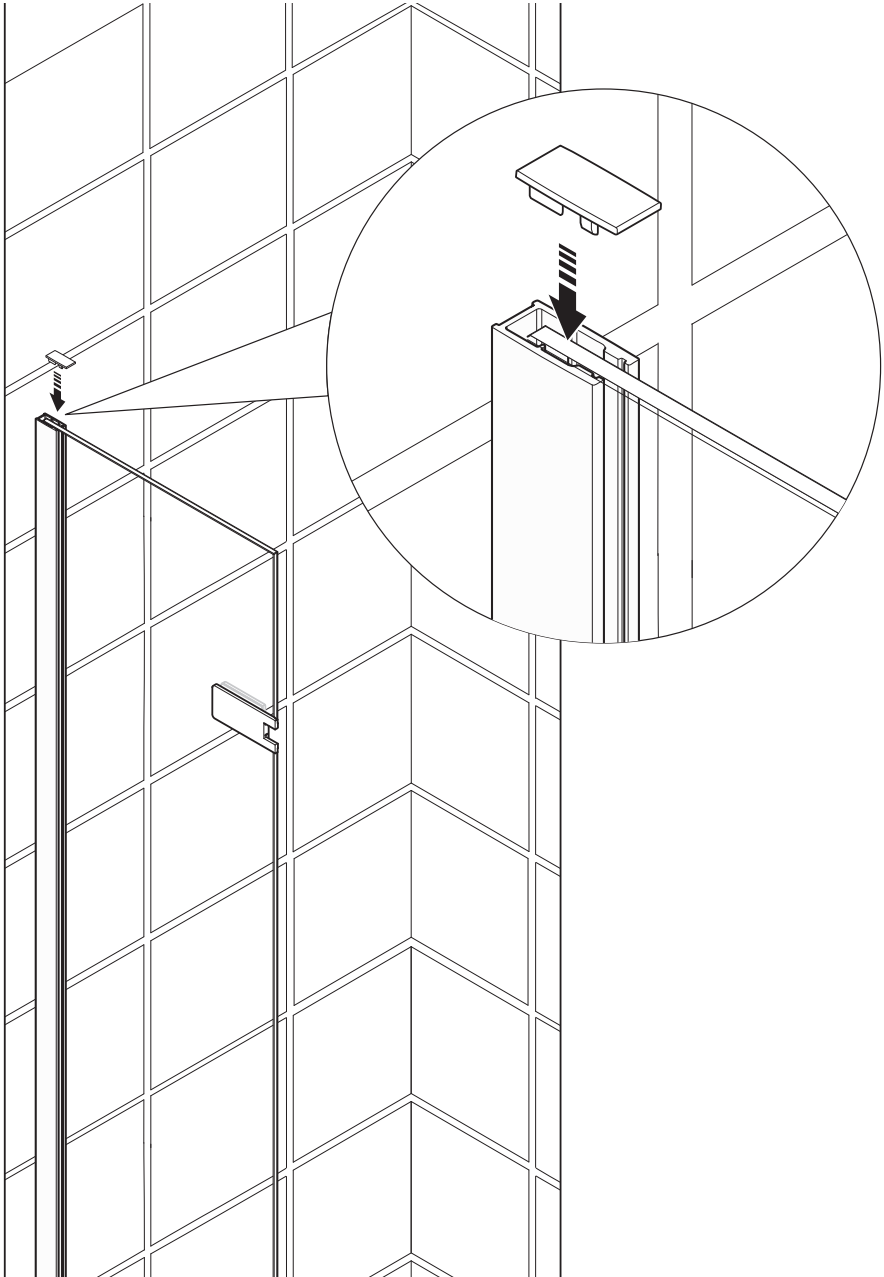
- (a) Push in the beading seal using the tool provided into the track.
- (b) Starting at the bottom push in the beading seals using the tool provided on the wall channel. Trim the beading seal 15 mm from the top of the glass.

7 Hinge Installation

Note! Ensure the hinge plates are square with the glass.

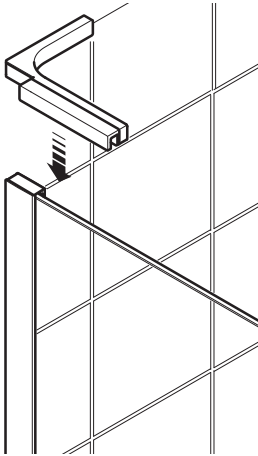


8 Top Cap Installation

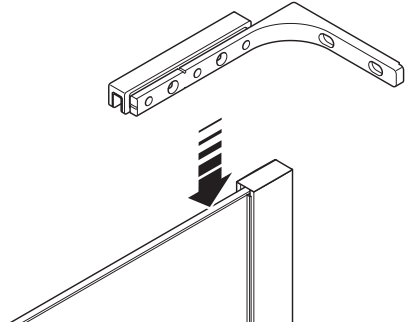


9 Corner Bracket Installation

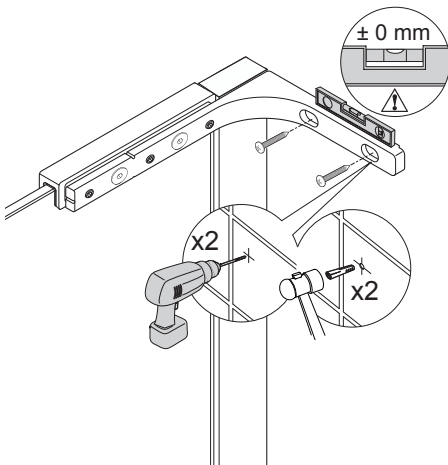
Note! Corner Bracket can be used on both RH and LH sides. Remove the 2 fixing bolts, rotate the 'L' bracket and re-fit the fixing bolts.



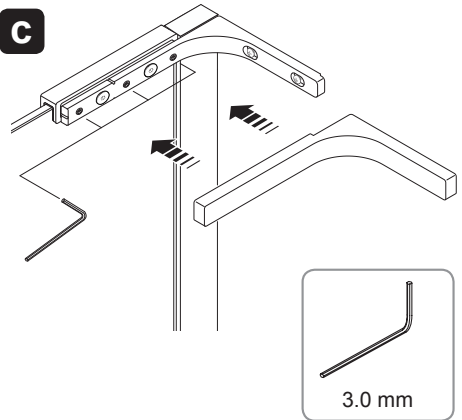
a



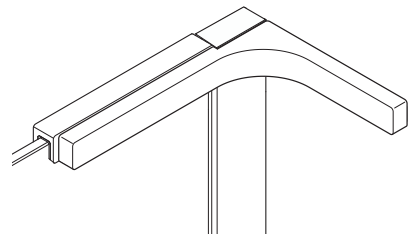
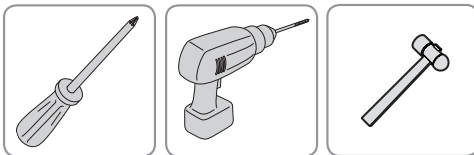
b



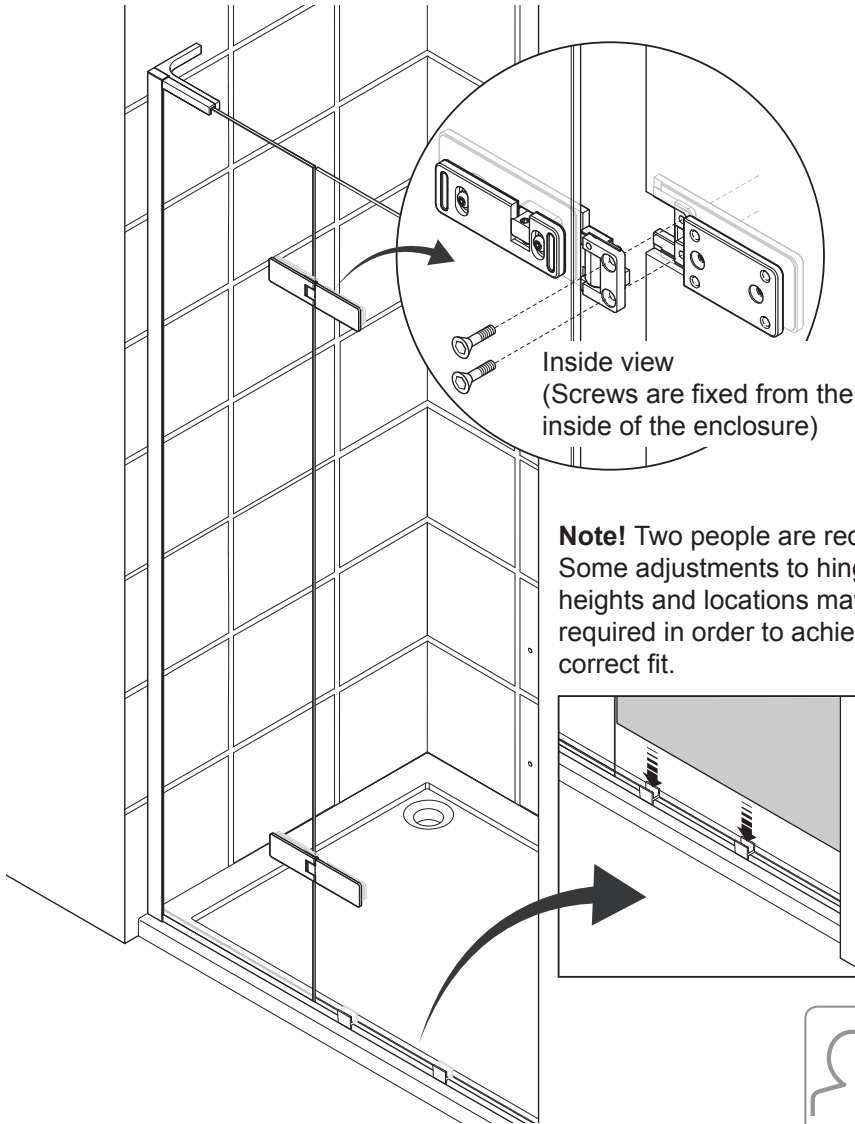
c



Note! Ensure that the bracket is not overtightened onto the tiles to ensure cover can still slide into notch.

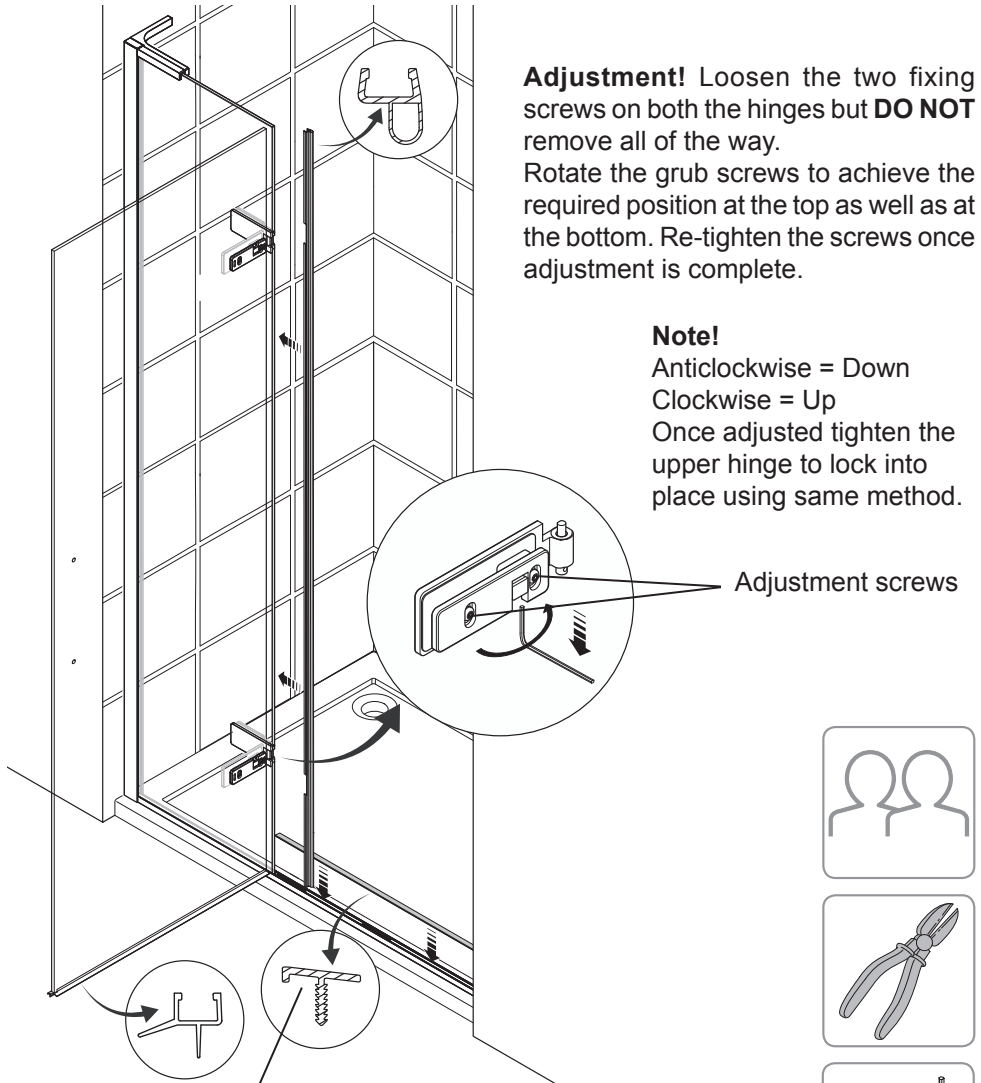


10



- (a) Place the installation benches over the bottom track. These will provide a guide for the correct mounting height of the door.
- (b) Lift the door onto the installation benches and secure the two halves of the hinges together using the fixing screws.

11



Adjustment! Loosen the two fixing screws on both the hinges but **DO NOT** remove all of the way. Rotate the grub screws to achieve the required position at the top as well as at the bottom. Re-tighten the screws once adjustment is complete.

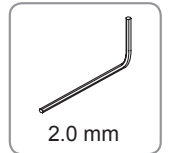
Note!

Anticlockwise = Down

Clockwise = Up

Once adjusted tighten the upper hinge to lock into place using same method.

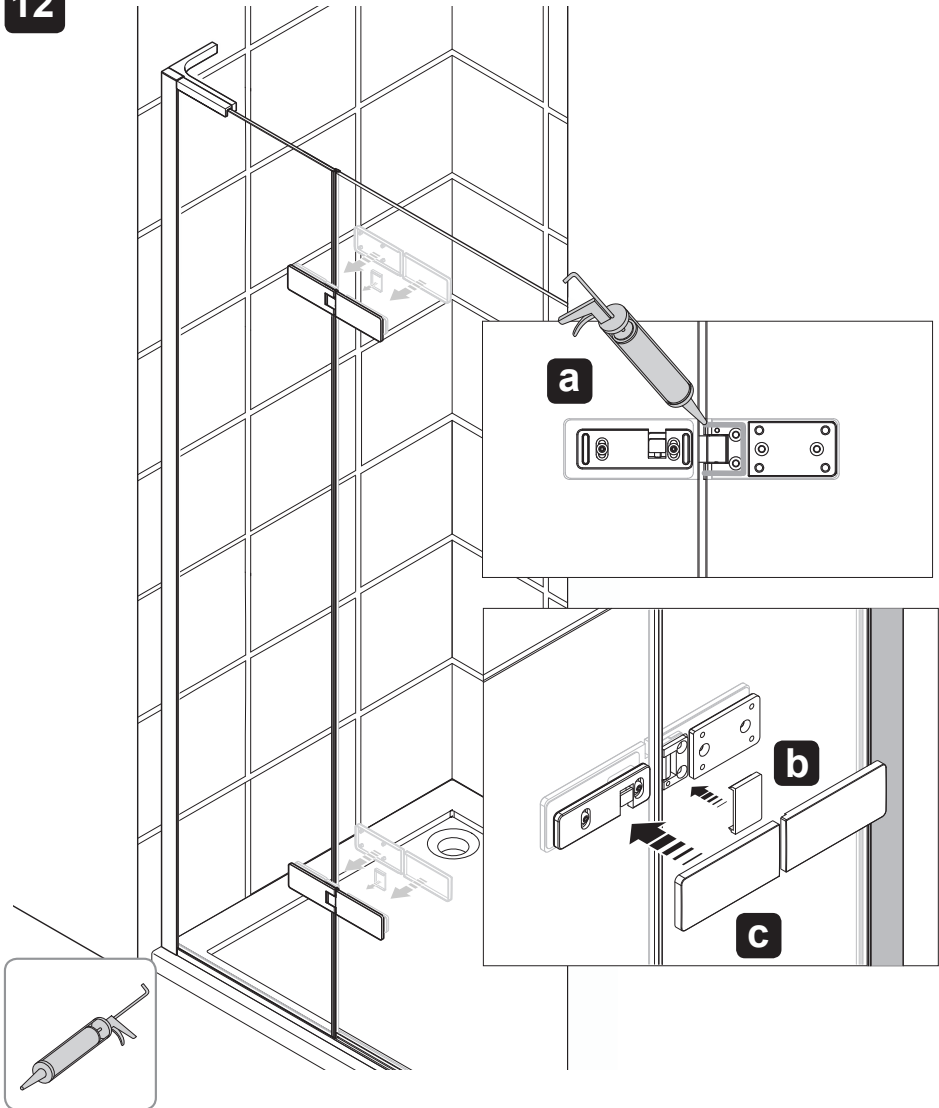
Adjustment screws



Note! Lip must be facing towards the outside.

- (a) Remove the installation benches.
- (b) Fit the door splash guard.
- (c) Push the horizontal infill strip into the track.
- (d) Fit the vertical seal onto the fixed inline panel. The top of this seal will need to be trimmed to be flush with the top of the glass.
- (e) Adjust the hinges if required (using the above adjustment method).

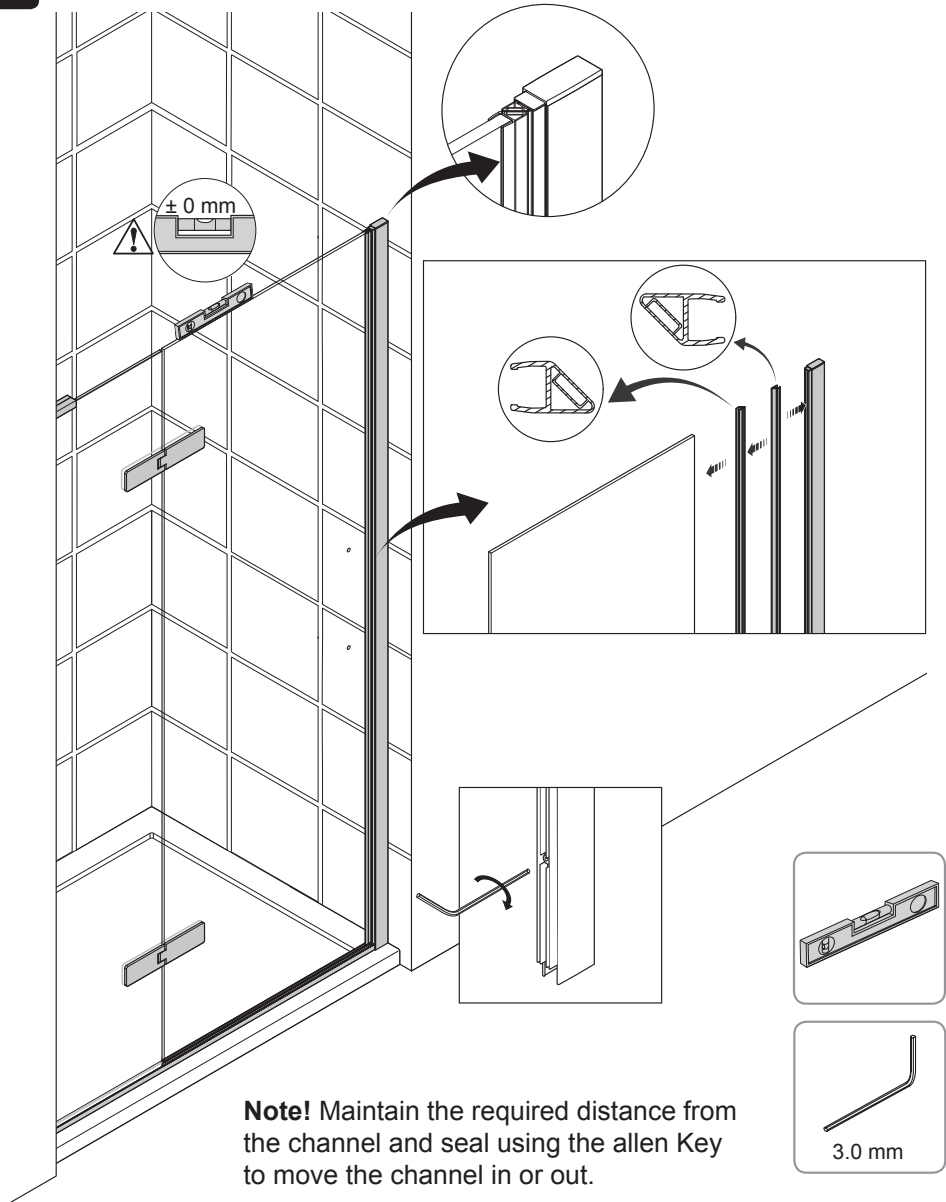
12



- (a) Carefully apply silicone sealant around the glass cutout as illustrated above in order to fill the gap. This is very important to help create a water barrier.
- (b) Push the gasket cover into place, ensuring the ridges push into the recently siliconed recess.
- (c) Fit the covers over the hinges.

Note! Put small amount of silicone onto the rear studs of the plates prior to pushing into place. Ensure silicone is applied carefully to avoid leaking.

13 Closing channel adjustments and fitting the vertical seals.

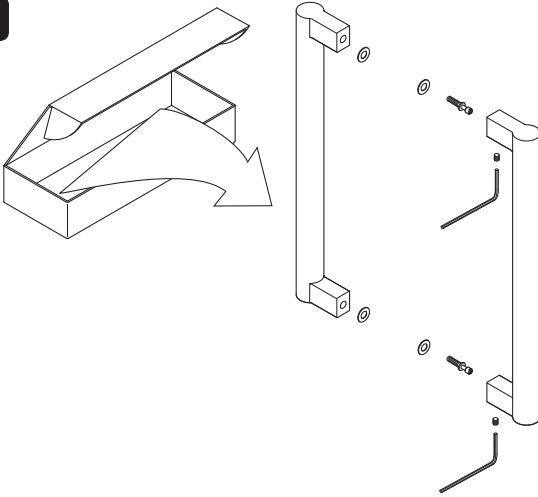


- (a) Use a hexagonal wrench to adjust the channel level. For the distance between the door edge and the adjustment channel refer to the table in step 5.
- (b) Push the seal onto the channel.
- (c) Push the seal onto the door.

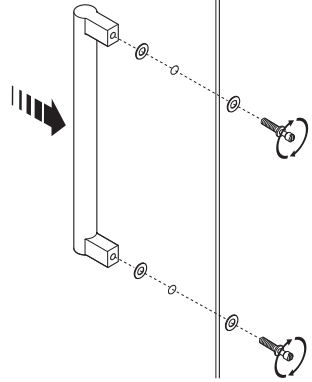
14 Handle Installation

Note! Installation procedure remains the same for all the handle options.

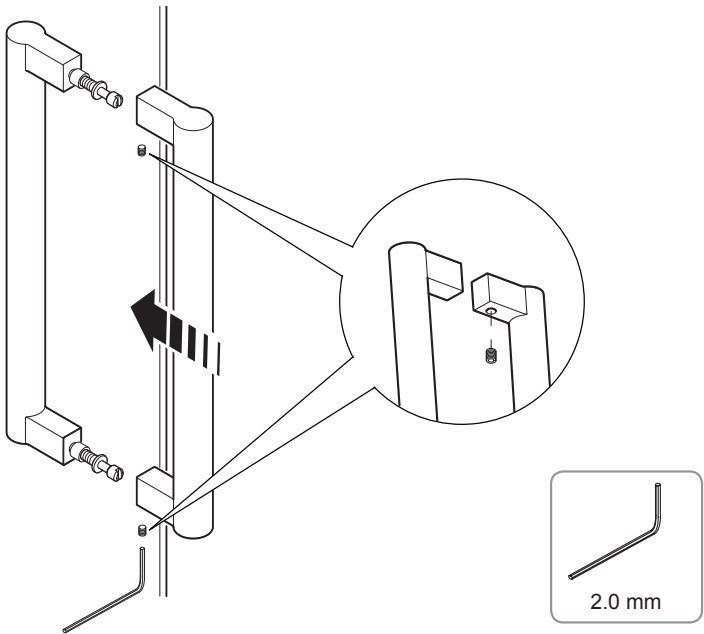
a



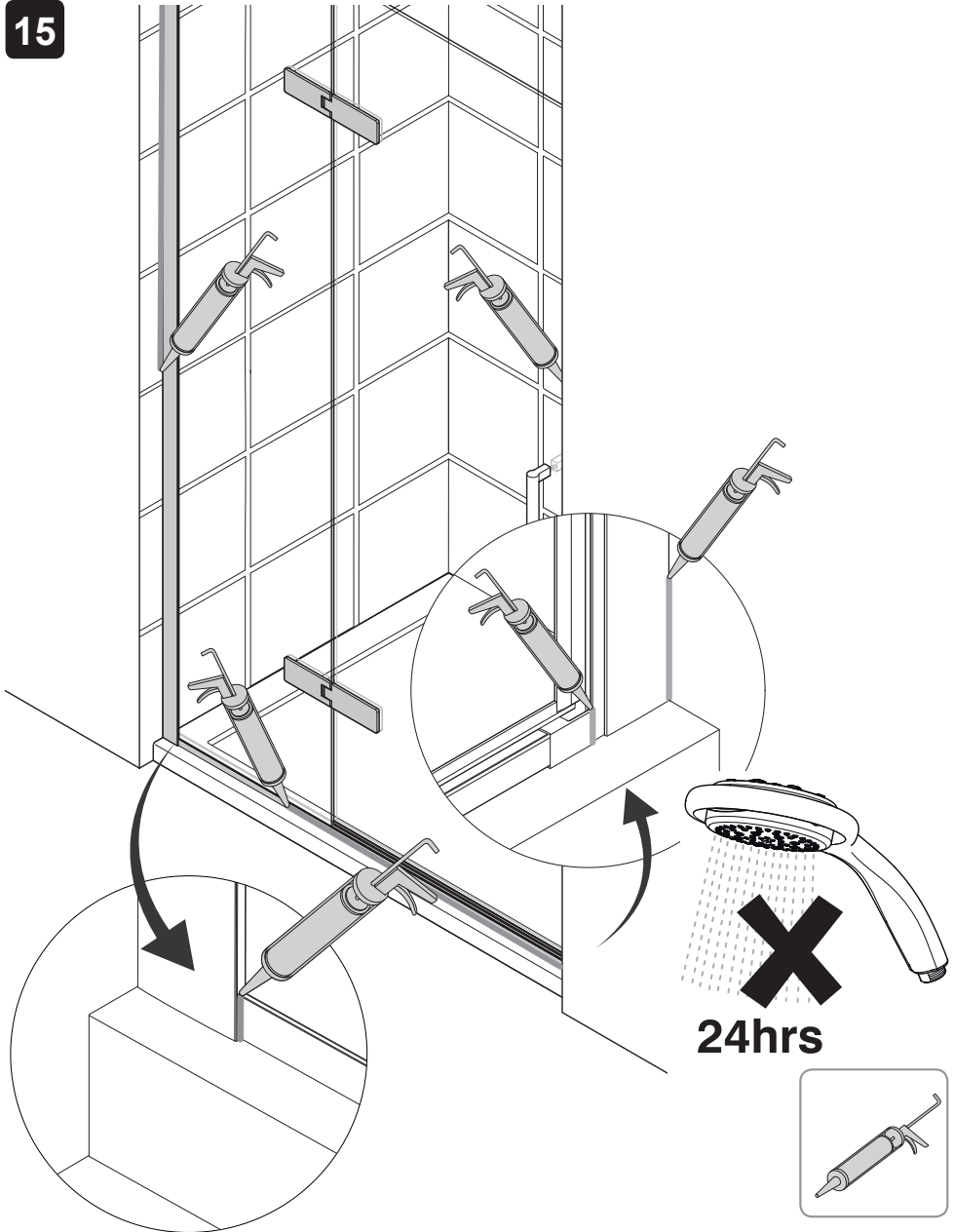
b



c



15



- (a) Apply sealant in accordance with the sealant manufacturers instructions along the outside surfaces of the door frame only.
- (b) Allow the silicone sealant to cure for 24 hours before use.

Maintenance

General Maintenance

Providing the shower enclosure has been correctly installed and is operated in accordance with the instructions contained in this guide, difficulties should not arise. If any maintenance is required then it must be carried out by a competent tradesperson to whom the maintenance instructions are provided.

Before replacing any parts ensure the underlying cause of the malfunction has been resolved.

Cleaning

Warning! The use of grout/tile cleaners, scale removers, abrasive scourers, drain unblockers and other powerful detergents may lead to damage of metallic, plated and plastic surfaces, including the tray and shower waste.

Avoid the use of 'spray and leave' cleaners. Any cleaner used should have a pH level between 4 and 8 and immediately wiped dry using a soft cloth.

Care

To preserve the beauty of your shower enclosure for many years, please observe the following care instructions:

Rinse glass and frame with clear water after showering. Remove water droplets with a squeegee. **Do not rub dry!** To clean your shower hygienically and easily, we recommend the use of a biodegradable cleanser.

Regular cleansing with a biodegradable cleanser prevents stubborn stains and ensures a clean and hygienic surface for many years. Do not use scouring or caustic cleansers under any circumstances! These can damage the surface of the frame, glass and decorative parts as well as the plastic parts.

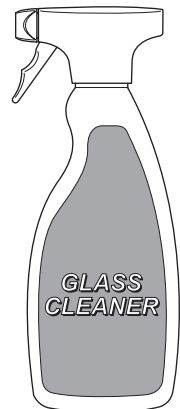
Chrome Parts

Use only cleansers expressly specified for chrome!

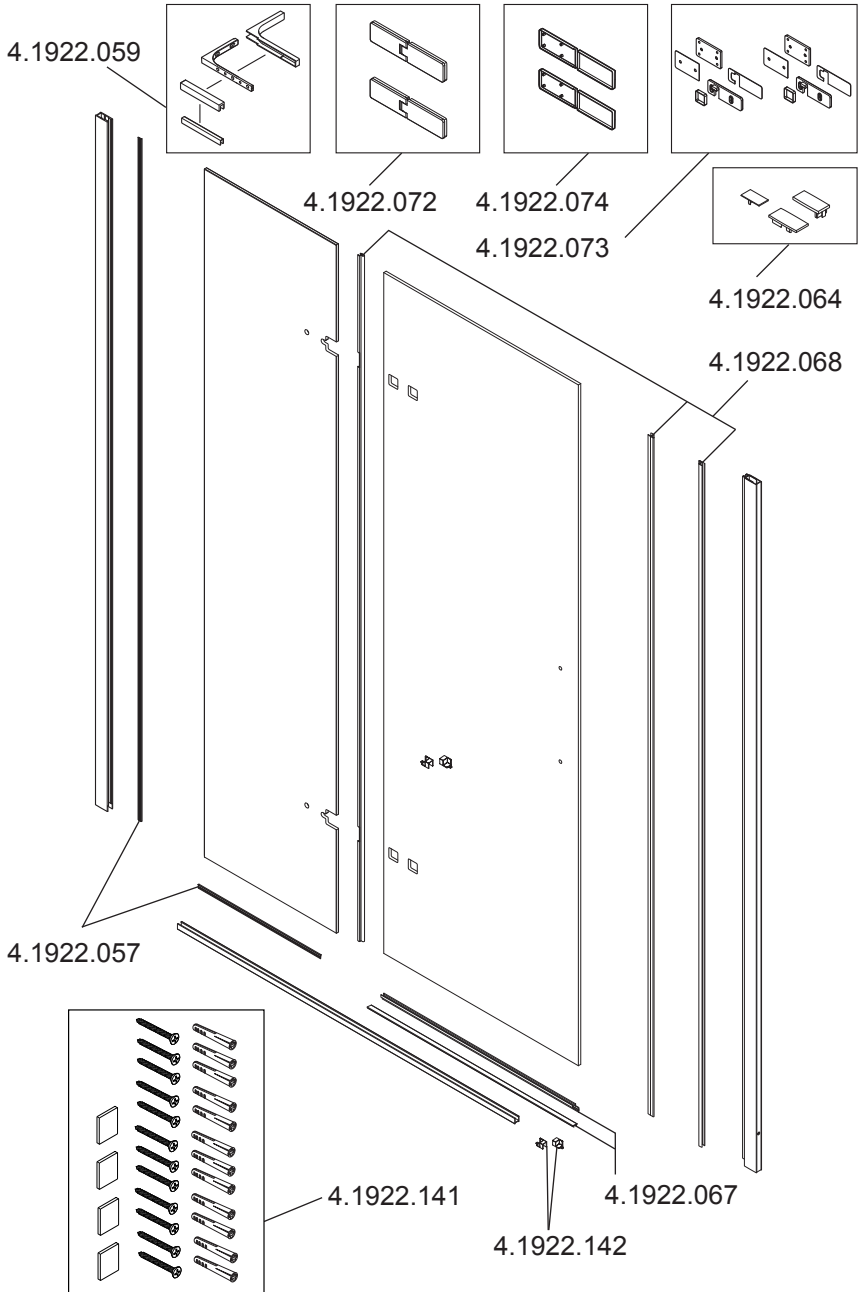
KOHLER Glass Cleaner

For occasional cleaning of glass treated with KOHLER Glass Protector or for more regular maintenance of untreated surfaces, we recommend using KOHLER Glass Cleaner.

The cleaner cleans and polishes without smearing or streaking and rejuvenates the Glass Protector.



Spare Parts



Notes

Declaration of Performance

KOHLER.

DECLARATION OF PERFORMANCE

Kohler Mira Ltd.
Cromwell Road
Cheltenham
Gloucestershire
GL52 5EP
United Kingdom
Tel: 0844 571 1155
Fax: 0844 581 1100
www.kohlermira.co.uk

Brand name: Kohler Mira

Product name: Ascend & Composed Shower Enclosures (all sizes)

Product Range: Hinged Alcove Door
Hinged Enclosure
Sliding Alcove Door
Sliding Door Enclosure
Side Panel
Wet Room Side Panel
Wet Room Panel
Wet Room Hinged Return Panel
Bath Screen (In-line Panel with Hinged Door)

Product type: Domestic Shower Enclosure

Manufacturer: Kohler Mira Ltd
Cromwell Road, Cheltenham
Gloucestershire GL52 5EP
United Kingdom

Directives: EU 305/2011 Construction Products Regulations

System of assessment: System 4
Type testing / Factory production Control

Standards: EN 14428:2015.
Shower enclosures – Functional requirements and test methods.

Essential Characteristics	Performance	Harmonised technical specification
IR-CA-DA	Compliant	EN 14428:2015

The performance of the products described above, are in conformity with the relevant community harmonisation legislation.

This declaration of performance is issued under the sole responsibility of Kohler Mira Ltd.

CE 18

Signed for and on behalf of Kohler Mira Ltd.

Signature: 

Name: Jon Ramsdale
Place: Cheltenham, UK
Doc. No.: CE 0120

Position: NPD Director
Date: 1st March 2018
Issue: 1



Check out our full range of Shower Enclosures

Quadrant Shower Enclosures

Corner Entry Shower Enclosures

Walk in Shower Enclosures

Sliding Shower Doors

Bifold Shower Doors

Pivot Shower Doors

Hinged Shower Doors

Shower Screens

From Top Brands

Coram Shower Enclosures

Mira Shower Enclosures

Hydrolux Shower Enclosures

Diamond Shower Enclosures

With quality shower trays to match your enclosure

Square Shower Trays

Rectangular Shower Trays

Quadrant Shower Trays

Coram Shower Trays

Mira Flight Shower Trays

plumbworld
Big brands, small prices.

Check out our full range of Shower Enclosures

Quadrant Shower Enclosures

Corner Entry Shower Enclosures

Walk in Shower Enclosures

Sliding Shower Doors

Bifold Shower Doors

Pivot Shower Doors

Hinged Shower Doors

Shower Screens

From Top Brands

Coram Shower Enclosures

Mira Shower Enclosures

Hydrolux Shower Enclosures

Diamond Shower Enclosures

With quality shower trays to match your enclosure

Square Shower Trays

Rectangular Shower Trays

Quadrant Shower Trays

Coram Shower Trays

Mira Flight Shower Trays

plumbworld
Big brands, small prices.