

Aduro 9-7

Brugsvejledning · Bedienungsanleitung · User Manual ·
Eldningsinstruktion · Mode d'emploi



Ecolabel - EN 13240

www.aduro.dk / www.aduro.no / www.adurofire.de / www.aduro.fr



Version 1

Congratulation with your new wood burning stove!

In order to get the best possible pleasure and benefit from your new Aduro wood burning stove, it is important that you read this User Manual thoroughly before you install your wood burning stove and start to use it.

1.0 General

1.1 Compliance

Aduro 9-7 complies with the EN 13240 European standards, as well as the NS 3058 Norwegian standard and is thereby approved for installation and use in Europe. At the same time, the manufacturing process is subject to external quality control. Aduro 9-7 also carries the Nordic Swan Eco-label, which guarantees that the wood burning stove complies with the most stringent environmental requirements and has been manufactured in an environmentally correct manner. DoP (Declaration of Performance) can be seen on www.adurofire.com.

1.2 Technical data

Nominal power	6 kW
Flue outlet, diameter	Ø150 mm top/rear
Measurements (HxBxD)	1500 x 500 x 447 mm
Height exhaust branch above floor level	1197,5 mm
Distance from centre of exhaust branch to rear edge of fireplace	193 mm
Weight	169,2 kg
Material	Steel
Fuel	Wood and woodbriquettes
Max wood lenght	39 cm
Convection stove	✓
Primary-, secondary- and tertiary air supply	✓
Air-wash system	✓
Ashpan	✓
Energy efficiency	81,3%
Chimney draught	12 Pa
Maximum combustion amount per hour: - Wood approx.	ca. 3.1 kg
Heat rating in buildings with - Optimum insulation - Average insulation - Inadequate insulation	150 m ² 100 m ² 60 m ²

1.3 IMPORTANT: PRODUCTION NUMBER

The fireplace insert has a production number at the bottom of the rating plate on the back of the fireplace. We recommend that you note down this number before mounting the fireplace insert. For the purposes of the guarantee and for other enquiries, it is important that you are able to quote this number.

P/ Nr.

1.4 Transportation

When taking your wood burning stove home, please ensure that it travels in an upright position. If you wish to lay it flat, it is important that you remove the heat accumulating stones and all loose parts from the combustion chamber (cast iron grate and loose fireproof tiles) and remove the ash drawer. Alternatively you could also fill the combustion chamber with excess packaging so the parts are kept in place.

2.0 Installation of the wood burning stove

You are welcome to install your wood burning stove yourself – but we strongly recommend that you consult your chimney sweep before you begin the installation. Your dealer can also provide you with installation advice. It is important to ensure that all local rules and regulations, including ones relating to national and European standards, are complied with when installing this device.

Please note: You may not begin to use the wood burning stove until it has been inspected and approved by your local chimney sweep.

2.1 Position of the stove/distance requirements

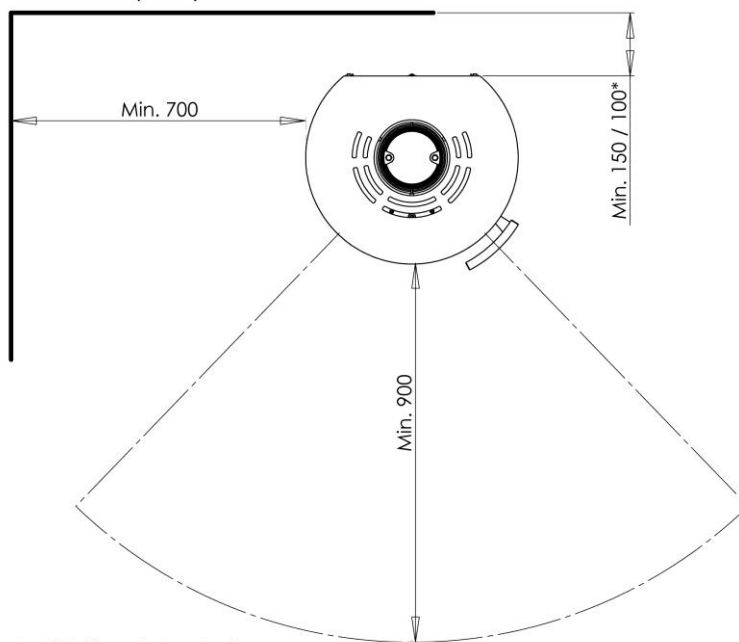
The new wood burning stove must be installed in a suitable and physically possible position. You need to be sure that the position complies with local regulations. Distance requirements will only apply if the wood burning stove is to be placed close to flammable materials. See below.

If the stove is positioned against a brick wall or other non-flammable material, there is no minimum distance requirement. To facilitate cleaning and for the best use of the convection air, we recommend that you leave a distance of approximately 5–10 cm to the wall. The Aduro 9-7 is built as a convection stove. This means that air from the room circulates between the inner stove and the outer covering. As a result, the heated air is distributed evenly throughout the room.

Distance to flammable material

Behind the stove	Behind stove with insulated flue pipe	To the sides of the stove	To furniture
15 cm	10 cm	70 cm	90 cm

Distance (mm) to flammable material



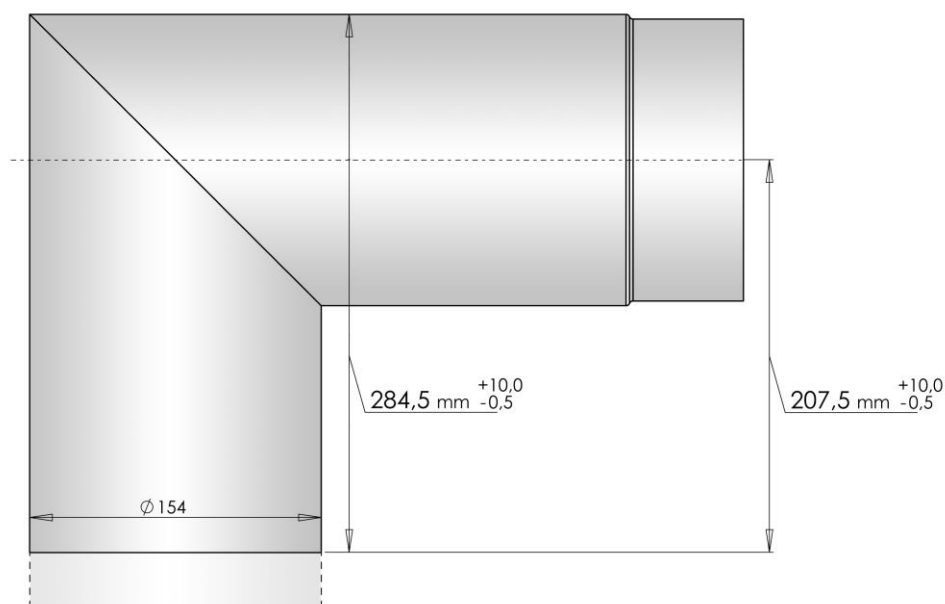
* with insulated pipe

Please note: that the Aduro 9-7 must be installed on a floor with the adequate load-bearing capacity. If the existing construction does not meet this requirement, appropriate adaptation measures must be taken (e.g. a load-distributing plate).

If the wood burning stove is to be placed close to flammable material, such as a wooden floor or carpet, it must be placed on a non-flammable base. The floor plate should extend for at least 30 cm in front of the wood burning stove, and 15 cm on each side.

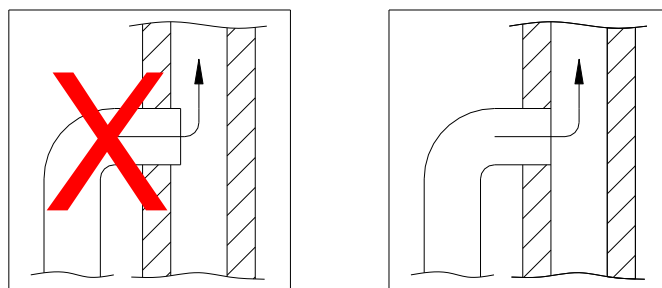
2.2 Pipe connection

Aduro 9-7 leaves the factory with the flue outlet mounted on the top. If you require the flue outlet on the back, use a 90° flue pipe. This flue pipe should be shortened, see illustration below. The top outlet is finished with the plate that lies in the ash drawer. A flue pipe with an internal diameter of 150 mm should be used for Aduro stoves.



2.3 Connection to a brick chimney

If the stove is being connected to a brick chimney, a curved flue pipe should be used via the top outlet. After measurement, a hole is made in the chimney in which the pipe sleeve is placed and fireplace mortar is used to seal it in place. The stove is placed in position and the flue pipe is put in place. A thin gasket is placed between the flue pipe and the pipe sleeve to seal the joints. The flue pipe should protrude 5–10 cm into the pipe sleeve, but must not block the opening in the chimney (see the illustration below).

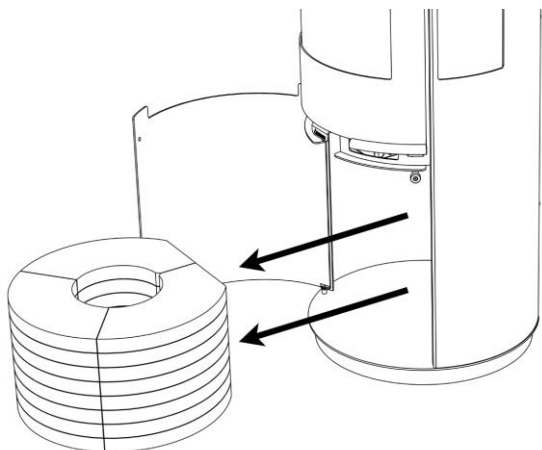


The wood burning stove can be connected to a chimney to which other heat sources are connected.

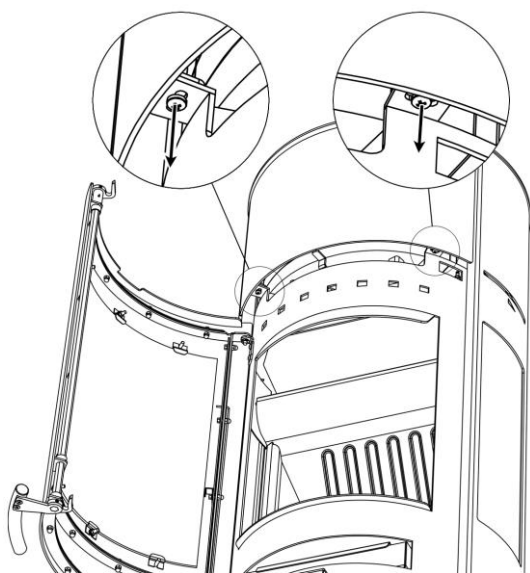
2.4 Heat accumulating stones

Aduro 9-7 comes with heat accumulating stones. Please follow the mounting instructions below:

1. Remove the stones from the storage space under the combustion chamber

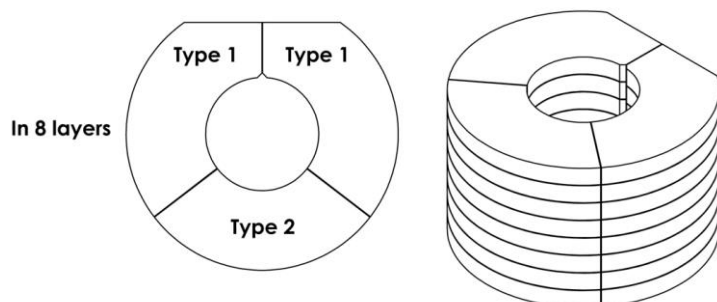


2. Dismount the frontplate

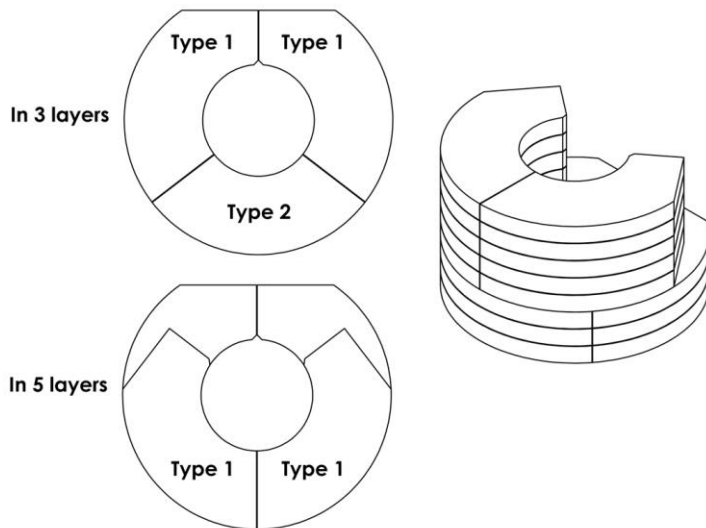


3. Please notice if you use top or rear outlet.

Heat bricks placement
- by top smoke outlet

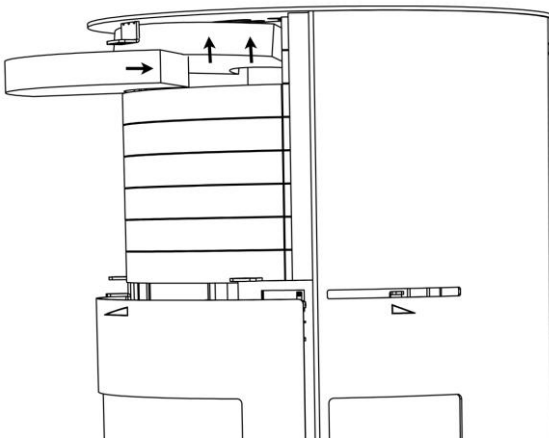


Heat bricks placement - by back smoke outlet



NB: 5 pcs. of Type 2 will not be used

4. Place the stones and mount the frontplate again.



3.0 Lighting a fire in the wood burning stove

3.1 Important safety information

- The wood burning stove will become warm during use and therefore it should be treated with all necessary caution.
- Never keep easily combustible fluids such as petrol in the vicinity of the wood burning stove – and never use easily combustible fluids to light the fire in the wood burning stove.
- Never empty the ash drawer when the wood burning stove is warm. Embers may still be found in the ash drawer for up to 24 hours after the fire has gone out. Please wait to empty the ash drawer until you are sure that there are no embers in the ash.
- The door should be kept closed while the wood burning stove is in use. While lighting the fire, the door can stand ajar for the first few minutes.
- In the event of a chimney fire: Close all the dampers on the wood burning stove and call the fire-fighting service.

3.2 Recommended fuels?

Wood and woodbriquettes. We recommend the use of split hardwood that has been stored outdoors under cover for at least 1 year. Wood that has been stored indoors has a tendency to become too dry and will burn too quickly. The wood should preferably be felled in the winter, when a lot of the moisture in the wood will have been drawn down into the roots. In order to achieve optimum combustion, the wood's moisture level should not exceed 18 %, which roughly corresponds to storing the wood under cover outdoors for one year. The moisture level of the wood can be measured using a moisture meter or by applying washing up liquid to one end of the log and blowing air in the other end. If the wood is dry enough, soap bubbles will appear. The wood should be chopped into logs with a diameter of approx. 10 cm and a log length of max. 39 cm.

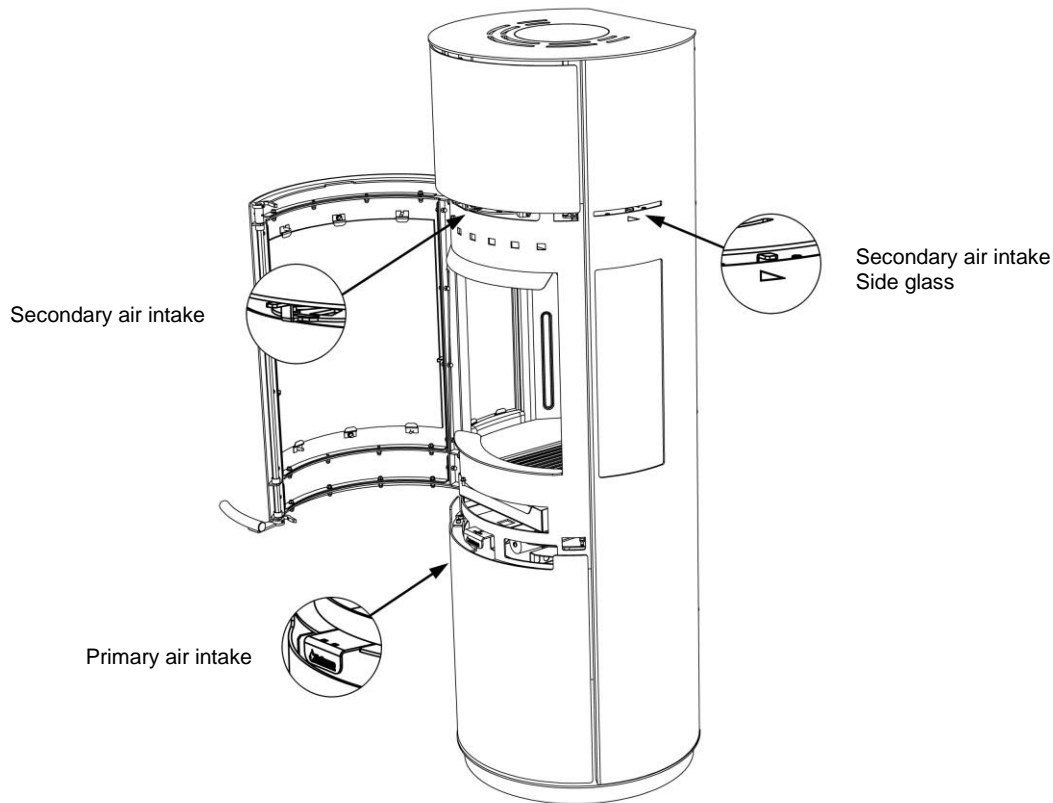
Correct firing provides optimal heat output and maximum economy. At the same time, correct firing prevents environmental damage in the form of smoke and malodorous fumes and also reduces the risk of chimney fires. Well seasoned wood fuel is essential for correct use. Make sure your fuel is kept dry. If the fuel is wet, a large proportion of the heat will be used to vaporize the water, and this energy will disappear up the chimney. It is clearly not only uneconomical to fire with wet fuel but also, as mentioned above, increases the risk of producing soot, smoke and other environmentally damaging by-products.

Burning varnished wood, impregnated wood, chipboard, paper and other waste is strictly forbidden. Burning these materials will damage the environment, the wood burning stove and your own health. Fossil fuels must not be used.

3.3 How do I light a fire in the wood burning stove?

The fire lighting method is very important for starting combustion quickly and efficiently.

- 1) Open the primary air intake/damper under the door and open the secondary air intake behind the door. The primary damper is used at the start to get the fire going, while the secondary air intake keeps the fire burning evenly. The secondary air intake is closed when the damper is pushed all the way to the left and open when the damper is pushed to the right. To open the primary air intake the damper should be pulled out. The illustration below shows the stove seen from the front with the dampers indicated.
- 2) Place a log of wood crosswise in the combustion chamber and put 2 firelighters close to the log. Light the firelighters and quickly put a new log close to the firelighters and several small logs at an angle above it. Air must be able to reach the firelighters, but the logs should be touching to "warm" each other.
- 3) Keep the door approx. 1 cm ajar, until the glass is too hot to touch. Then close the door. When there are distinct, visible flames and the fire has taken hold, close the primary air intake/damper.



Important: The control handle will get warm when the wood burning stove is being used. Please use the glove provided when you operate the wood burning stove.

At www.adurofire.com you can find a film showing how to light your stove.

3.4 The first time a fire is lit

The wood burning stove is packed in recycling packaging (wood and plastic). This must be disposed according to national rules regarding disposal of waste. The wood from the packaging can be sawed into smaller pieces and used the first time a fire is lit.

The first few times the wood burning stove is used, there may be some smoke and unpleasant odours from the wood burning stove, which is fairly normal. This is caused by the heat-resistant paint hardening. Make sure there is sufficient ventilation during this stage. It is also important not to let the fire burn too fiercely the first 2–3 times, so that the wood burning stove has time to expand slowly. You should also be aware that the stove may make clicking sounds as it heats up and cools down – rather like pouring boiling water into a sink. These are caused by the great differences in temperature to which the materials are being exposed.

During the first firing, which should be carried out using approximately 1 kg of wood, the stoking door must be left slightly open and must not be closed until the stove is cold. This is to prevent the sealing rope sticking to the stove.

3.5 How should I use my wood burning stove?

The wood burning stove is intended for intermittent combustion. This means that each stoking should burn down to embers before new logs are added.

In order to obtain the best possible combustion, you should regulate the effect/heat output with the fuel. Burning small logs provides more powerful combustion than burning large logs as the surface area is greater and more gas is released. The amount of wood in the combustion chamber is another factor that affects combustion. In normal circumstances, you should not place more than two logs in the stove. If you want an enhanced effect, you can add more logs. The nominal heat output is reached by burning approx. 1.5 kg per hour.

3.6 Secondary damper

The secondary damper behind the door should always be open while the wood burning stove is in use. This damper allows you to adjust the wood burning stove to the chimney draft and the heat output you require. In normal

circumstances, the wood burning stove should be working with this damper open between 60 % and 100 %. You should never close the air intake so far that the flames are extinguished. There should always be visible flames in order to achieve clean and efficient combustion. A too low supply of air can lead to bad combustion, high emissions and a bad efficiency. The air-wash system, that minimizes soot collecting on the front glass pane, is also adjusted by this damper.

If you wish to fire the stove with the lowest effect possible – around 3 kW – you must close the secondary damper almost completely 45 minutes after the wood has been put in. At this point there are only few flames and the stove can burn clean by using the tertiary air from behind in the stove.

3.6.1 Secondary damper side glass

The secondary damper over the side glass allows you to adjust the wood burning stove to the chimney draft and the heat output you require. It also helps to keep the side glass clean when opened.

Aduro Key: provides easier control of the secondary damper. The key is fitted onto the control handle, so you can more easily adjust the airflow from side to side. Turning to the left decreases the airflow, and turning to the right increases the airflow.

3.7 Primary damper

When you add a new log, the primary air intake/damper should be opened until the fire is burning properly. In order to utilize the fuel to the fullest extent, the embers should have burnt for so long that it is necessary to open the primary air intake for approx. 2 minutes to get the new log to burn.

In order to reduce the risk of ash falling from the stove when the door is opened to add more fuel, it is a good idea to open the primary air intake/damper for approx. 1 minute before the door is opened. This increases the draught through the stove and reduces the risk that ash will drop on the floor.

Please note: if you overload the wood burning stove and burn more than approx. 3.1 kg wood/hour, there is a risk that the lacquered surface of the stove will become discoloured and eventually fall off. The stove can be resurfaced, but this is not covered by the manufacturer's guarantee. In the same way, any other damage to the stove caused by overloading will not be covered by the guarantee.

3.8 Aduro-tronic

The patent-applied Aduro-tronic is designed to operate the stove for you. All you have to do is put dry wood in the stove, and activate the control system - Aduro-tronic does the rest, leaving you to enjoy the flames and the benefits of efficient combustion. Aduro-tronic is a manually operated mechanical start-up device, which works without the use of electricity.



Please note: Use of dry wood of the right size is important to achieve optimum combustion.

3.8.1 How to operate Aduro-tronic

When lighting

When lighting a fire in the wood burning stove for the first time, the maximum amount of primary air will be needed to light the fire. For that reason, the primary damper can be kept “forcibly open”. This is done by pulling the primary damper forward as far as possible and then fixing it with the Aduro Key (see illustration). When the stove is warm and a layer of embers has been created on the bottom of the combustion chamber, the Aduro-tronic can be set to the automatic position, i.e. the Aduro Key can be removed.

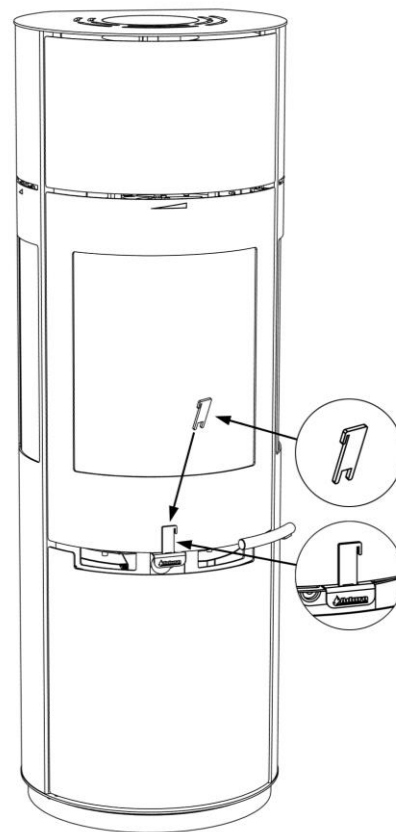
Alternatively, you can leave the door ajar the first minutes during lighting the fire (without the key).

When stoking

Each time fresh wood is put in the stove, a precise amount of primary air will be allowed in for the first few minutes. What’s more important is that the primary air is not allowed in for too long. This is to ensure optimum combustion. The Aduro-tronic control will ensure intake of primary air at the right tempo. The automatic is activated by pulling the primary damper out each time fresh wood is put in the stove. The automatic closes then the primary air gradually.

Regulation of the Aduro-tronic control

The control is pre-set to allow primary air intake for the first 5 minutes. This setting has been used during testing at the Danish Technological Institute using ‘standard’ sized logs and with optimum moisture content of 18%. Standard size logs are approx. 30 cm long and 10 x 10 cm in thickness. A standard chimney was also used for testing. In practice, such circumstances can differ, which is why the Aduro-tronic control can be adjusted to your circumstances. If you want a slower intake of primary air: (e.g. for a slower flue draught, larger sized wood or for longer intervals between stoking) Adjust the screw on the front of the control level using a small allen key to slow closure rate. If the screw is turned to the right closing time is increased and if turned to the left closing time is reduced. The Aduro-tronic must be closed within 6 minutes.



3.9 Ventilation/fresh air supply

In order for the wood burning stove to function at optimum efficiency, air is needed for the combustion process. There must be sufficient fresh air coming into the room containing the wood burning stove. In very well-insulated houses, or houses with powerful cooker hoods and/or air conditioning systems, a vacuum can be created around the wood burning stove, leading to smoke leakage and poor combustion. In these circumstances, it might be necessary to open a window to provide air for combustion and to equalize the vacuum. Alternatively, you could fit an air vent in the room containing the wood burning stove. The amount of air needed for combustion is 25 m³/h.

4.0 The chimney

Data for chimney calculation:

	Wood
Flue temperature at [20 °C]	245
Chimney draught at testing power [mbar]/[Pa]	0.12/12
Flue gas mass flow [g/s]	5,7

The optimum combustion is achieved at a constant chimney draught of 0.10 to 0.14 mbar measured in the flue pipe above the stove. There are many factors that affect the chimney draught, including the outside temperature, wind strength and surrounding buildings. If it is impossible to establish a sufficiently natural chimney draught, the chimney can be fitted with a smoke extractor. If the chimney draught is too strong, a damper can be fitted to regulate the chimney draught. Contact your local chimney sweep for more advice.

There are no requirements with respect to specific chimney heights, but a chimney must be tall enough to provide a good draught – above 12 Pa. If the recommended chimney draught is not achieved, there may be problems with smoke out of the door by firing.

4.1 Inadequate draught in the chimney

If the chimney is too short, leaks or is inadequately insulated, there may be problems with the chimney draught (let the chimney sweep assess this). The draught should be approx. 0.10–0.14 mbar in order to provide satisfactory combustion and prevent smoke leakage.

If the chimney sweep judges the draught to be satisfactory, but you still have problems lighting a fire, try extending the fire lighting phase/using more thin pieces of kindling, so that the chimney gets thoroughly warm. The chimney will not draw at optimum effect until it is warm. The fire lighting phase can be prolonged by using a lot of kindling and 1-2 firelighters. When a layer of embers has been formed, add 2–3 dry logs.

5.0 Maintaining and cleaning your wood burning stove

Gaskets

With time, the gaskets will wear, and, in order to avoid wild combustion, they must be replaced as required.

Glass

If the wood you burn is too moist, you will get soot stains on the glass pane. They can be easily removed using a damp cloth that you dip in cold ash and rub on the sooty glass. Special cleaning agents are also available to remove soot from glass, i.e. the Aduro Easy Clean pad.

Combustion chamber

The yellow tiles in the combustion chamber eventually wear out and they should be replaced when the cracks are more than 0.5 cm. The durability of the tiles will depend on how often and how intensively the stove is used. You can change the tiles yourself. They are available as a ready-to-use set. You can also buy one-piece tiles that you can cut to the size of the worn plates yourself. Please visit www.aduroshop.com.

Ash

Empty the ash drawer before it becomes completely full. Always leave a layer of ash on the bottom of the stove, as this insulates the combustion chamber and makes lighting a fire easier.

Cleaning the wood burning stove

The stove's surface is treated with a heat-resistant Senotherm® paint, which will stay at its best just by being vacuumed with a small, soft mouthpiece or dusted with a soft, dry cloth. Do not use water, spirit or other solvents which will remove the paint.

The inside of the wood burning stove and the flue pipe can be cleaned via the door and the cleaning aperture in the flue pipe/chimney. The upper fireproof tile (the exhaust deflector) can be removed. To allow free access to the top of the wood burning stove and the flue pipe, remove the exhaust deflector in steel. Cleaning of the inside of the wood burning stove and the flue pipe should be undertaken at least once a year, or more frequently if necessary, depending on how often the wood burning stove is used. This work can also be carried out by the chimney sweep.

Repairing the surface

If the surface of your wood burning stove gets scratched or worn, it can easily be refaced/renewed using the original Senotherm® paint in an aerosol can. It is available in black or grey from your local dealer.

Please note: All maintenance and cleaning of the wood burning stove should be carried out when it is cold.

Spare parts and unauthorized alterations

You may only use original spare parts in the wood burning stove. Read more at www.aduroshop.com. All forms of unauthorized alterations to the wood burning stove are strictly forbidden, as the wood burning stove will no longer comply with the approved specifications.

6.0 Accessories

There is a wide product range of accessories for Aduro stoves:

- Companion sets
- Firebaskets in felt, PET and bonded leather
- Firewood buckets
- Briquette bucket and ashbucket
- Glass and steel floor plates
- Flue pipes
- Aduro Firelighter
- Aduro Easy Clean pad

7.0 Product liability and warranty

In accordance with the Danish Sale of Goods Act, product liability will exist for two years from the date of purchase of the wood burning stove. The dated receipt will be sufficient proof. Product liability will not cover damage caused by incorrect installation and use of the wood burning stove. Likewise, product liability will not cover loose parts and wear parts (fireproof tiles, glass, gaskets, rails, cast iron grate and control), as they are worn by ordinary use. These parts can be purchased as spare parts.

7.1 Free online warranty registration

Aduro will give you the opportunity to extend the above warranty on your wood burning stove from two to five years. All you need to do is to access our website at www.adurofire.com and register your new wood burning stove in our warranty database. The warranty will only come into force once you have entered the required information in all the data fields. The deadline for registering your wood burning stove is one month from the date of purchase.

8.0 FAQ

If you need more information, please go to www.adurofire.com.

Enjoy your stove!

Gratulerar med din nya braskamin från Aduro!

För att du ska få så stor glädje och nytta som möjligt av din nya braskamin från Aduro är det viktigt att du läser genom bruksanvisningen noga innan du installerar och använder kaminen.

1.0 Allmänt

1.1 Certifieringar

Aduro 9-7 uppfyller den europeiska standarden EN 13240 samt norsk standard NS 3058 och är därmed godkänd för montering och användning i Europa. Aduro 9-7 är också Svanenmärkt, vilket innebär att kaminen uppfyller mycket stränga miljökrav och tillverkas på ett miljövänligt sätt. DoP (Declaration of Performance) findes på www.adurofire.se.

1.2 Tekniska data

Nominell värmeeffekt	6 kW
Rökrör	Ø150 mm topp/bakre
Yttermått (HxBxD)	1500 x 500 x 447 mm
Höjd rökstuss över golv	1197,5 mm
Avstånd från golv till centrum av bakre rörutgång	193 mm
Vikt	169,2 kg
Material	Plåt
Bränsle	Ved och vedbriketter
Vedlängd max.	39 cm
Konvektionskamin	✓
Primär-, sekundär och tertiär lufttillförsel	✓
Sotfri glaslucka	✓
Asklåda	✓
Virkningsgrad	81,3%
Skorstensdrag	12 Pa
Maximal förbränning per timme:	
- Trä	ca. 3,1 kg
Värmeeffekt i byggnader med:	
- Optimal isolering:	150 m ²
- Genomsnittlig isolering:	100 m ²
- Dålig isolering:	60 m ²

1.3 VIGTIG: SERIENUMMER

På braskaminen finns ett serienummer angivet, se typskylten på baksidan av kaminen. Vi rekommenderar att du skriver upp serienumret. För att garantin ska gälla och vi enklare ska kunna hjälpa dig vid eventuella frågor är det viktigt att du kan uppge det här numret.

P/ Nr.

1.4 Hemtransport

När braskaminen transporteras hem ska den helst stå upp. Om du vill lägga den ner är det viktigt att du tar bort de varmeakkumulerande sten och lösa delar i brännkammaren, dvs. gjutjärnsgaller och lösa eldfasta stenar, samt tar ut asklådan. Du kan även låta de eldfasta stenarna och gjutjärnsgallret sitta kvar i brännkammaren och därefter fylla utrymmet med överblivet emballage, så att alla lösa delar hålls på plats.

2.0 Installation av braskamin

Du får gärna installera braskaminen på egen hand, men vi rekommenderar att du ber en sotare som vägledning. Din återförsäljare kan också ge råd om installationen. Det är viktigt att du uppfyller alla gällande nationella och europeiska bestämmelser och förordningar vid installation av braskaminen. För att kaminens funktion och säkerhet skall kunna garanteras rekommenderar vi att installationen utförs av en fackman. Våra återförsäljare av Aduro kan rekommendera lämpliga montörer, se www.adurofire.se.

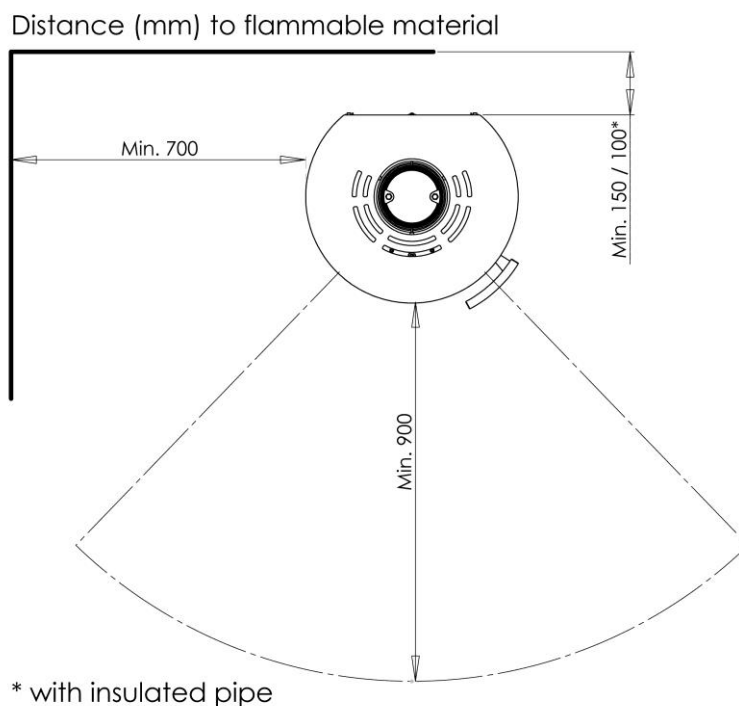
Obs! Braskaminen måste godkännas av behörig brandmästare innan den tas i bruk.

2.1 Placering av braskaminen/avståndskrav

Avståndskrav föreligger bara när braskaminen placeras intill brännbart material. Se nedanstående illustration. Om braskaminen ska stå intill en murad vägg eller andra ej brännbara material finns inga krav på säkerhetsavstånd. För att underlätta rengöringen och utnyttja konvektorluften optimalt rekommenderar vi dock att du har ca 5–10 cm avstånd till väggen.

Avstånd till brännbart material

Bakom kaminen	Bakom kaminen ved halvisolert rökrör	Åt sidan	Avstånd til møbler
15 cm	10 cm	70 cm	90 cm

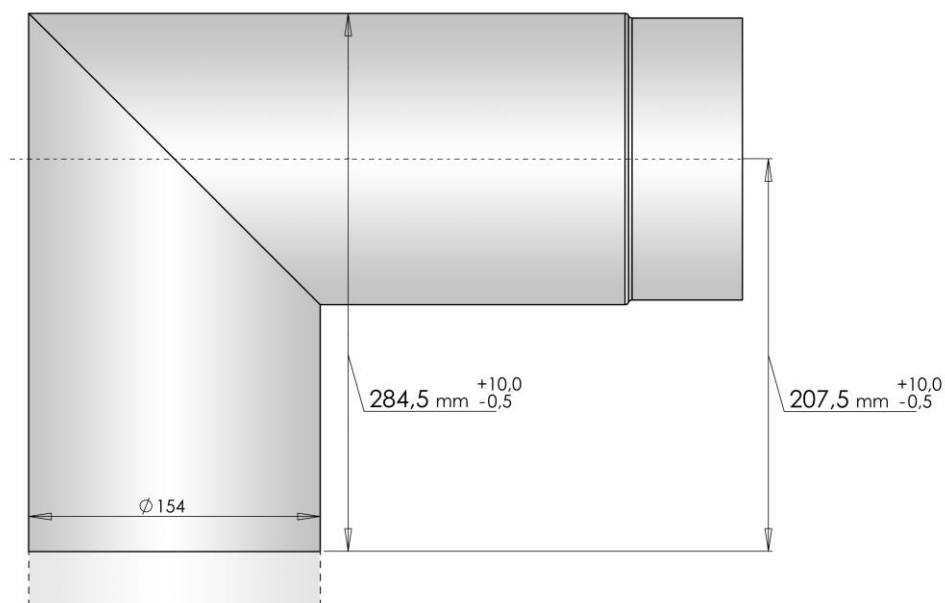


Obs! Det är viktigt att braskaminen installeras på ett golv med tillräcklig bärighet. Om den befintliga konstruktionen inte uppfyller de här kraven måste golvet förstärkas på lämpligt sätt (t.ex. med hjälp av en platta som fördelar belastningen över en större yta) för att uppnå detta.

Om braskaminen ska placeras på ett brännbart underlag som t.ex. trägolv eller heltäckningsmatta måste du först lägga ett icke brännbart underlag emellan. Golvplattans storlek beror på hur stor braskamin du har och plattan ska gå minst 30 cm framför och 15 cm på var sida om braskaminen.

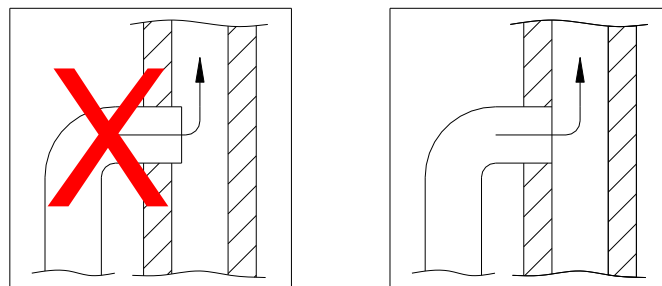
2.2 Röranslutning

Vid leverans från fabriken är Aduro 9-7 försedd med ett rökrör högst upp. Om du vill leda ut röken på kaminens baksida, bruges et 90° rør. Dette rør skal afkortes, se nedenstående illustration. Toppavgången avslutas med en dekorationsplåt, som ligger i asklådan. Till Aduro braskaminer används ett rökrör med en diameter på 150 mm.



2.3 Anslutning till murad skorsten

Om braskaminen ska anslutas till en murad skorsten används ett böjt rökrör via toppanslutningen. Mät noga och gör sedan hål i skorstenen. Sätt väggenomföringen på plats och täta muren med murbruk. Ställ sedan dit braskaminen och montera fast rökröret. Lägg en tunn packning mellan rökröret och väggenomföringen för att täta anslutningen. Rökröret ska gå 5–10 cm in i väggenomföringen, men får inte gå så långt in att den blockerar skorstensöppningen (se figur nedan).

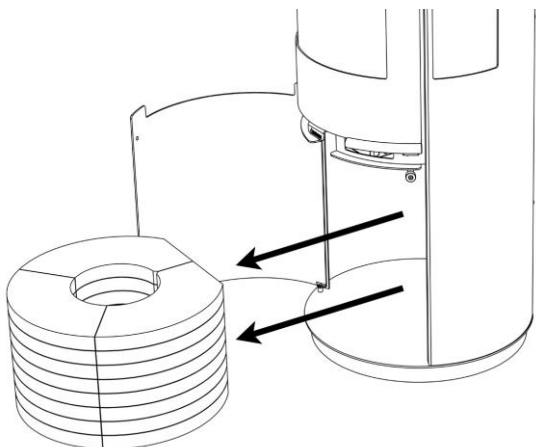


Braskaminen kan vara ansluten till samma skorsten som flera andra värmekällor. Men innan du gör det måste du kontrollera vilka regler som gäller.

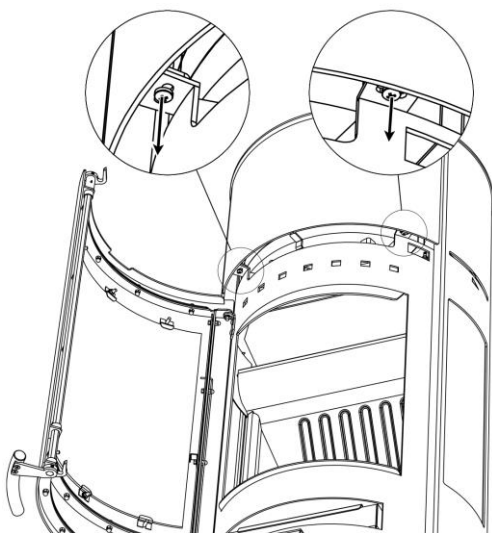
2.4 Varmeakkumulerende sten

Aduro 9-7 bliver leveret med varmeakkumulerende sten. Følg nedenstående monteringsanvisning:

1. Fjern stenene fra rummet under brændkammeret

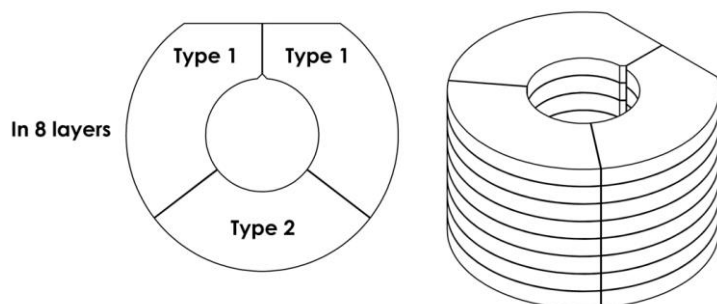


2. Demonter frontpladen

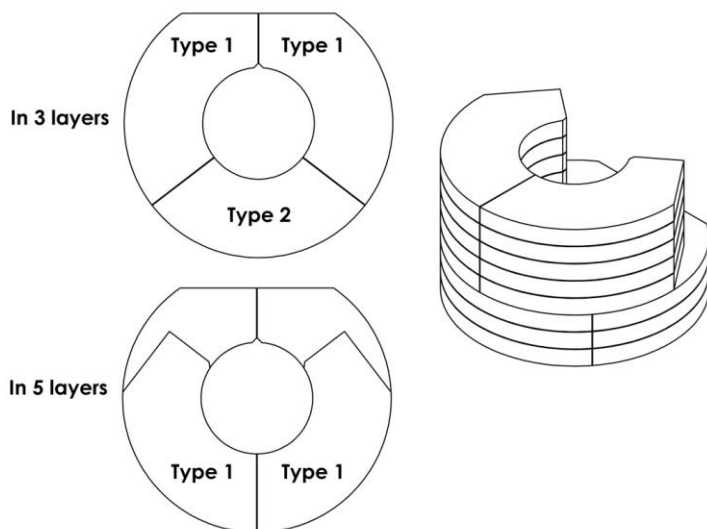


3. Vær opmærksom på om du benytter top- eller bagudgang.

Heat bricks placement
- by top smoke outlet

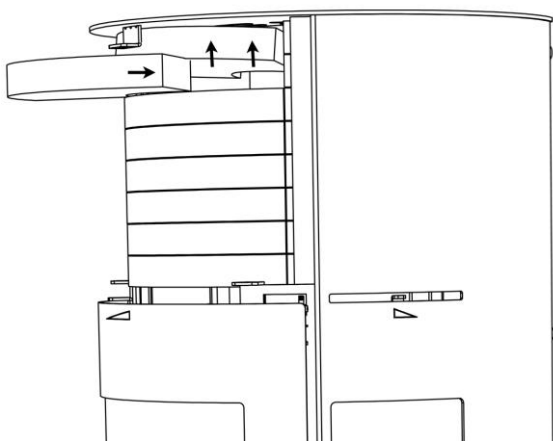


Heat bricks placement - by back smoke outlet



NB: 5 pcs. of Type 2 will not be used

4. Ilæg stenene. Derefter monteres frontpladen igen.



3.0 Elda i braskaminen

3.1 Viktiga säkerhetsanvisningar

- Braskaminen blir varm under drift och bör därför hanteras med försiktighet.
- Förvara aldrig lättantändliga vätskor som bensin i närheten av braskaminen och använd aldrig lättantändliga vätskor för att få eld i kaminen.
- Töm aldrig asklådan när braskaminen är varm. Det kan ligga glöd i asklådan upp till 24 timmar efter att elden har slocknat. Vänta därför med att tömma asklådan tills du är säker på att det inte finns någon glöd kvar i lådan.
- Luckan ska vara stängd när braskaminen används. Under de första minuterna efter att du har tänt kan du dock lämna luckan på glänt.
- I händelse av soteld ska du stänga samtliga spjäll på braskaminen och tillkalla brandkåren.

3.2 Bränsletyper

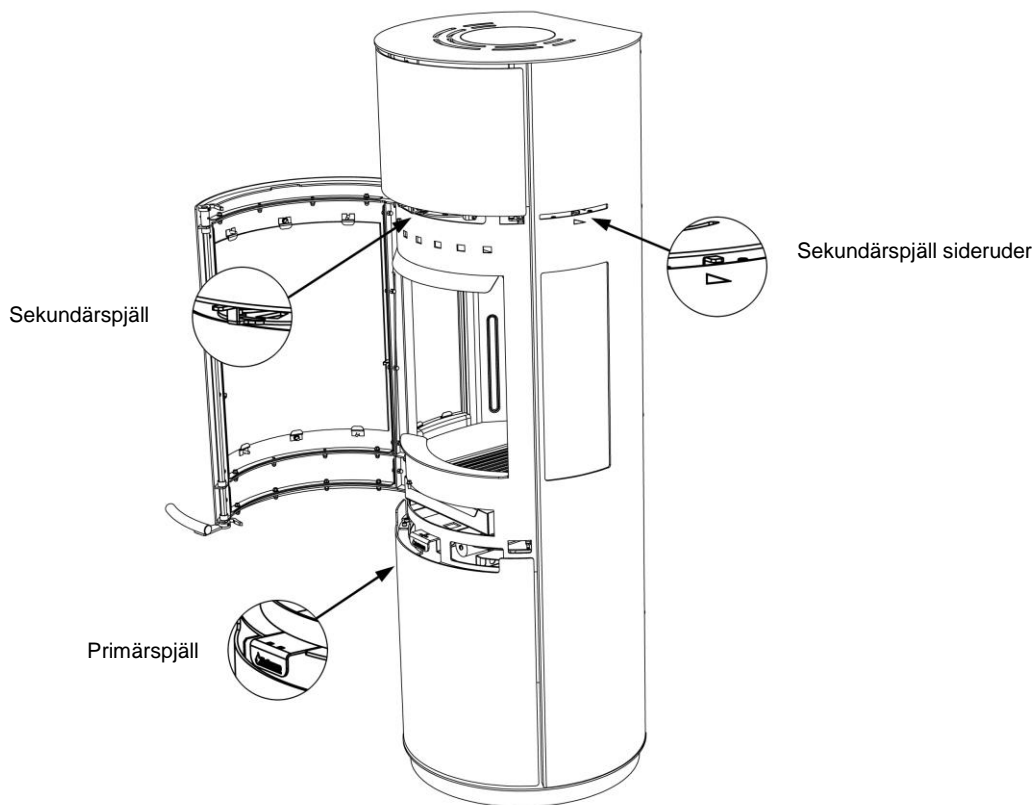
Alla sorters ved, såsom björk, bok, ek, alm, ask, barrträd och fruktträd kan användas som bränsle i kaminen. Olika träslag har olika densitet, ju högre densitet veden har desto högre är energivärdet. Högst densitet har bok, ek och björk. Vi rekommenderar att du använder trä som har klivits och sedan förvarats utomhus under tak i minst ett år. Trä som förvaras inomhus har en tendens att bli för torrt och brinner därför för snabbt. Träden ska helst fällas om vintern, då en stor del av trädets fukt har dragits ner i rötterna. För att uppnå optimal förbränning bör trädets fukthalt inte överstiga 18 procent, vilket motsvarar ca 1 års förvaring utomhus under tak. Trädets fukthalt kan mätas med hjälp av en fuktmätare eller genom att smörja in ena änden av ett vedträ med diskmedel och därefter blåsa i andra änden. Om träet är tillräckligt torrt bildas såpbubblor. Träet ska klyvas i bitar med en diameter på ca 10 cm och längden ska vara max. 39 cm. Om du använder alltför fuktig ved minskas kaminens värmeeffekt avsevärt och partikelutsläppen ökar.

Det är förbjudet att elda lackerat och impregnerat trä, spånplattor, papper och annat avfall. Fossila bränslen får inte användas. Eldning av sådant material skadar såväl miljön som braskaminen och din hälsa.

3.3 Hur tänder jag braskaminen?

Tändningen spelar stor roll när du vill uppnå snabb och effektiv förbränning.

- 1) Börja med att öppna primärspjället/startspjället längst ner under luckan och sekundäröppningen/sekundärspjället högst upp bakom luckan. Primärspjället används i början för att få fyr på brasan, medan sekundärluften håller brasan vid liv. Nedanstående figur visar braskaminen sedd framifrån och var spjällen sitter.
- 2) Lägg ett vedträ på tvären i brännkammaren och placera två tändbriketter ovanpå. Tänd briketterna och lägg sedan genast ett nytt vedträ direkt ovanpå briketterna och ett par små trästickor på tvären ovanpå. Det måste kunna komma luft till briketterna, men vedträna ska ligga tätt ihop och "värma" varandra.
- 3) Låt luckan stå öppen ca 1 cm tills glaset är så varmt att du inte längre kan röra vid det. Stäng sedan luckan. När det finns klara, synliga flammor och elden har tagit bra fart, stäng primärspjället längst ner under luckan.



Obs! Handtagen blir varma när braskaminen används. Använd därför den medföljande handsken till att sköta kaminen.

På www.adurofire.se finns en film med tips om hur du tänder och eldar i braskaminen.

3.4 Första eldningen

Ovnen er pakket i emballage som kan genbruges (træ og plast). Dette skal bortskaffes i henhold til national bestemmelse vedr. bortskaffelse af affald. Træet fra emballagen kan eventuelt saves i mindre stykker og bruges ved første optænding.

De första gångerna du använder braskaminen kan det förekomma rök och dålig lukt från braskaminen, vilket är helt normalt. Det beror på att den värmebeständiga lacken härddas. Se till att vädra tillräckligt i rummet under den här tiden. Det är också viktigt att elda försiktigt de två till tre första gångerna, eftersom braskaminen långsamt utvidgas. Du bör också känna till att kaminen under uppvärmning och nedkylning kan avge så kallade "klickljud", ungefär som när du håller kokande vatten i en diskho. Detta beror på de stora temperaturskillnader som materialet utsätts för.

Första gången du eldar bör du använda ca 1 kg ved och det är också en bra idé att låta luckan stå på glänt och inte stänga den förrän kaminen har svalnat. Detta ska göras för att förhindra att packningen klistrar fast på själva kaminen.

3.5 Hur eldar jag i braskaminen?

Braskaminen är avsedd för *intermittent* förbränning. Det betyder att varje eldning får brinna ner till glöd innan man eldar på igen.

För att få bästa tänkbara förbränning ska du reglera effekten/värmemängden med hjälp av bränslet. Små vedträn ger kraftigare förbränning än stora vedträn, eftersom ytan är större och veden avger mer gas. Dessutom avgörs förbränningen också av mängden ved i brännkammaren. Till normal användning bör du inte lägga in mer än två vedträn i taget. Om du vill uppnå högre effekt kan du lägga in mer ved. Den nominella värmeeffekten uppnås genom att elda ca 1,5 kg ved per timme.

3.6 Sekundärspjäll

Sekundärspjället sitter över öppningen och bakom luckan. Det ska alltid vara öppet när du eldar i braskaminen. Med det här spjället kan du anpassa braskaminen till skorstensdraget och önskad värmeeffekt. Dra spjället åt höger för att öka lufttillförseln och åt vänster för att minska den. Under normala förhållanden fungerar braskaminen när spjället är mellan 60 och 100 procent öppet. Skjut aldrig spjället så långt åt vänster att flammorna slocknar. Du ska alltid kunna se flammor, då vet du att förbränningen är ren och effektiv. För låg lufttillförsel kan leda till dålig förbränning, höga emissioner och en dålig förbränningsgrad. Rudeskyllet, der forhindrer sod på frontglasset, styres ligeledes af dette spjæld.

Hvis man ønsker at betjene ovnen med laveste ydelse – dvs. Omkring 3 kW skal man lukke sekundær spjældet næsten helt, 45 minutter efter at træet er fyret ind. På dette tidspunkt er der kun få flammer og ovnen kan brænde rent ved hjælp af tertiærluften bagerst i brændkammeret.

3.6.1 Sekundärspjäll sideglas

Sekundärspjället til sideglass sitter över sideglas. Med det här spjället kan du anpassa braskaminen till skorstensdraget och önskad värmeeffekt. Med åbnet spjäll vil du kunne reducere sot på sideglass.

Aduro-nyckel: Den här nyckeln medföljer kaminen och används för att sköta sekundärspjället. Nyckeln sätts fast på "handtaget" så att du kan justera lufttillförseln från sida till sida. Dra spjället åt höger för att öka lufttillförseln och åt vänster för att minska den.

3.7 Primärspjäll

När du lägger in ny ved ska du öppna primärspjället som sitter längst ner under luckan. Låt spjället vara öppet tills elden har tagit fart. För att utnyttja bränslet optimalt kan du vänta med att lägga på ny ved tills glöden är så liten att du måste öppna primärspjället i ca 2 min. för att få fyr på de nya vedträna.

Om du vill undvika att det yr aska ur kaminen när du öppnar luckan för att lägga i ny ved kan du öppna primärspjället under luckan ca 1 minut innan du öppnar luckan. Då ökar draget genom kaminen och det är inte lika sannolikt att aska faller ut.

Obs! Om du eldar för kraftigt i braskaminen och förbränner mer än ca 3,1 kg ved i timmen finns det risk för att lacken på kaminen missfärgas och senare faller av. Det går att lacka om kaminen, men detta täcks inte av tillverkarens garanti. Andra skador på kaminen som beror på alltför kraftig eldning täcks inte heller av garantin.

3.8 Aduro-tronic-automatik

Den patentsökta och automatiska funktionen Aduro-tronic kan sköta braskaminen åt dig. Du behöver då bara tänka på att lägga in torr ved i kaminen och aktivera automatiken. Därefter fixar Aduro-tronic resten och du kan njuta av flammorna och den effektiva förbränningen. Aduro-tronic er en manuel betjent mekanisk opstarts-anordning, der fungerer helt utan elanslutning.



Obs! Det är viktigt att alltid använda torr ved i rätt storlek för att uppnå optimal förbränning.

3.8.1 Så här använder du Aduro-tronic

När du tänder brasan

Första gången braskaminen tänds behöver den få så mycket primärluft tillförd som möjligt för att kunna tända brasan. Därför kan primärspjället hållas "tvångsöppet". Det görs genom att du drar primärspjället ända fram och därefter sätter Aduro-nnyckeln i kläm (se figur). När kaminen är varm och det finns ett lager glöd på botten av brännkammaren kan du ställa Aduro-tronic i det automatiska läget och ta bort Aduro-nnyckeln.

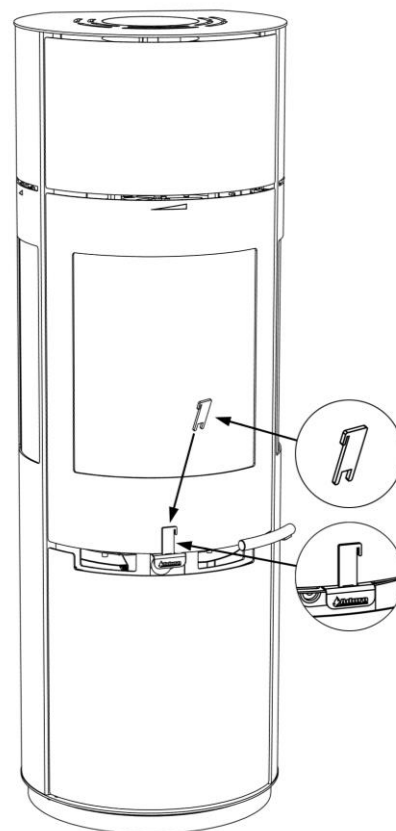
Alternativt kan du låta luckan stå på glänt de första minuterna under upptändningen (utan nyckel).

När du fyller på ved

Varje gång du lägger på ny ved i braskaminen måste du tillföra primärluft i lagom mängd under de första minuterna. Det är dock också viktigt att inte tillföra primärluft under alltför lång tid. Detta är nödvändigt för att förbränningen ska bli optimal. Aduro-tronic-automatiken bryter tillförseln av primärluft vid lämplig tidpunkt. Du aktiverar automatiken genom att dra ut primärspjället varje gång du lägger in ny ved. Aduro-tronic-automatiken stänger sedan spjället gradvis efter förprogrammerad tid.

Justering av Aduro-tronic-automatiken

Automatiken är förinställd så att primärluften bara tillförs under de första fem minuterna. Den här inställningen används när braskaminen testas på Teknologisk Institut för eldning med ved i "standard"-storlek som har optimal fukthalt, mellan 17 och 18 procent. Standardstorleken på ved är ca 30 cm lång och ca 10 x 10 cm tjocklek. Vid testet används också en "standard"-skorsten. I verkligheten kan förhållandena se annorlunda ut. Därför har du möjlighet att ställa in Aduro-tronic-automatiken utifrån just dina förhållanden. Om du vill att primärspjället ska stängas lite långsammare (t.ex. om du har lite mindre drag i skorstenen, om veden är större eller om du inte vill behöva fylla på ved lika ofta): Justera skruven på framsidan av justeringsbeslaget med en liten insexnyckel, så att spjället stängs långsammare. Om du vrider skruven åt höger förlängs stängningstiden, medan den förkortas om du vrider åt vänster. Aduro-tronic må ikke lukke på mere end 6 minutter.



3.9 Ventilation/frisklufttillförsel

För att braskaminen ska fungera optimalt måste förbränningen tillföras luft. Därför är det viktigt att det kan komma in tillräckligt med luft i det rum där braskaminen står. Täta hus, kraftiga fläktar och ventilationsanläggningar kan skapa undertryck kring braskaminen, vilket ger röklukt och dålig förbränning. I sådana fall är det nödvändigt att öppna ett fönster för att tillföra luft till förbränningen och jämma ut undertrycket. Du kan också sätta in en luftventil i det rum där braskaminen står. Mängden förbränningsluft som går åt till förbränningen är ca 25 m³/h.

4.0 Skorstenen

Data för beräkning av skorstenen:

	Holz
Rökgastemperatur uppmätt vid [20 °C]	245
Rekommenderat skorstensdrag [mbar]/[Pa]	0,12/12
Rökgas, massaflöde [g/s]	5,7

Den optimala förbränningen uppnås vid ett konstant skorstensdrag på 0,10 till 0,14 mbar, uppmätt i rökröret ovanför kaminen. Det finns många faktorer som påverkar skorstensdraget, bland annat utomhustemperatur, vindstyrka och omkringliggande byggnader. Minsta rekommenderade skorstenslängd är 3,5 m och lämplig tvärsnittsarea är 150-200 cm² (150-160 mm i diameter). Om det inte går att få tillräckligt bra skorstensdrag på naturlig väg kan du montera en röksugare på skorstenen. Om skorstensdraget är för starkt kan du montera ett spjäll som reglerar det. Kontakta sotaren på orten för närmare rådgivning om detta.

Skorstenen skal være så høj, at trækforholdene er i orden – over 12 pascal. Hvis det anbefalede skorstenstræk ikke opnås, kan der opstå problemer med røg ud af lågen ved fyring.

4.1 Dåligt drag i skorstenen

Om skorstenen är för låg, otät eller bristfälligt isolerad kan det uppstå problem med skorstensdraget (låt sotaren bedöma det). Draget ska vara ca 0,10–0,14 mbar för att ge tillfredsställande förbränning och förhindra rökutsläpp.

Om sotaren gör bedömningen att draget är tillräckligt och du ändå har problem med att få fyr i kaminen, kan du prova att förlänga tändfasen/använda flera tunna stickor, så att skorstenen värms upp ordentligt helt igenom. Skorstenen drar inte optimalt förrän den är ordentligt varm. Tändfasen kan förlängas genom att du använder massor av stickor samt 1–2 tändbriketter. När du har fått ordentlig glöd fyller du på med 2–3 torra vedträn.

5.0 Underhåll av braskaminen

Packningar

Med tiden blir packningarna slitna och bör då ses över. Om de är otäta bör de bytas.

Glas

Fuktig ved kan ge sotfläckar på glaset. Du kan enkelt torka bort dem med en fuktig trasa som du doppar i kall aska från kaminen och gnider på det sotade glaset. Det finns även rengöringsmedel som är särskilt avsedda för borttagning av sot på glaset, fx Aduro Easy Clean svampen.

Brännkammaren

De gula plattorna i brännkammaren slits naturligt och bör bytas ut när de har fått sprickor som är mer än en halv centimeter stora. Plattornas hållbarhet beror på hur mycket och hur kraftigt kaminen används. Du kan själv byta plattorna som levereras i färdiga set. Du kan också köpa hela plattor så att du själv kan kopiera de utslitna plattorna. Om du vill ha mer information får du gärna besöka www.aduroshop.com.

Aska

Töm asklådan innan den blir helt full. Lämna alltid ett lager aska i botten av kaminen. Det isolerar brännkammaren och gör det enklare att tända brasan.

Rengöring av braskaminen

Kaminens yta är lackad med värmebeständig Senotherm®-lack. Den bevaras bäst om du bara dammsuger på den med ett litet munstycke med mjuka borst eller dammar av den med en torr och mjuk trasa. **Använd inte** vatten, sprit eller andra lösningsmedel, eftersom det avlägsnar lacken.

Braskaminens insida och rökrör kan rengöras genom luckan och eventuellt genom rökrörets rensningsöppning. För att få fri tillgång till toppen av braskaminen och rökröret, avmonteras metal rökvändarplattan. Det går också att ta bort rökröret från kaminen och rengöra det. Du bör rengöra braskaminens insida och rökrör varje år eller oftare om så behövs, beroende på hur mycket kaminen används. Du kan även be sotaren utföra det här arbetet.

Reparation av ytbeläggningen

Om det blir repor i ytbeläggningen eller om den slits ner kan du efterbehandla den/fräscha upp ytan med den ursprungliga Senotherm®-lacken på sprayburk. Den finns i både svart och grått hos din lokala återförsäljare.

Obs! Utför allt underhåll på braskaminen när den är kall.

Reservdelar och ej godkända ändringar

Du får endast använda originaldelar till braskaminen. Läs mer på www.aduroshop.com. Det är förbjudet att genomföra ej godkända ändringar på braskaminen, eftersom det innebär att den inte längre uppfyller de godkända specifikationerna.

6.0 Tillbehör

Till Aduro braskaminer erbjuds ett brett sortiment av tillbehör:

- Eldningsverktyg
- Vedkorgar i filt, PET och läder
- Vedkorgar
- Säkerhetsgrind
- Brikettkorg och askhink
- Golvplattor i glas och stål
- Rökrör
- Aduro Easy Firelighter
- Aduro Easy Clean svamp

7.0 Reklamationsrätt och garanti

I enlighet med gällande konsumentköplag har kunden rätt att reklamera braskaminen inom två år från inköpsdatum. Kvitto med datum gäller som bevis. Reklamationsrätten täcker inte skador som har orsakats av felaktig installation eller användning av braskaminen. Reklamationsrätten omfattar inte heller lösa delar eller slitdelar (eldfasta stenar, glas, packningar, skenor, gjutjärnsgaller och handtag), eftersom dessa slits genom vanlig användning. De här delarna kan köpas som reservdelar.

7.1 Garantiregistrering på nätet (gratis)

Aduro ger dig möjlighet att utöka ovanstående garanti på braskaminen från två till fem år. Du kan bara gå in på vår hemsida www.adurofire.se och registrera din nya braskamin i vår garantidatabas. Garantin träder i kraft så snart du har fyllt i alla datafält. Du måste registrera braskaminen inom en månad från det att du har köpt den.

8.0 Frågor och svar

Om du vill ha mer information får du gärna besöka vår hemsida på www.adurofire.se.

Mycket nöje

Félicitations pour l'acquisition de votre nouveau poêle Aduro

Pour pouvoir profiter au mieux de votre nouveau poêle à bois Aduro, il importe que vous lisiez minutieusement le manuel d'utilisation avant d'installer le poêle et de le mettre en service.

1.0 Généralités

1.1 Conformité

Le poêle Aduro 9-7 est conforme à la norme européenne EN 13240 ainsi qu'à la norme norvégienne NS 3058; il est dès lors agréé approuvé pour installation et utilisation en Europe. La production est en même temps soumise à un contrôle de qualité externe. Le poêle Aduro 9-7 porte en plus le label Swan, indiquant qu'il respecte les normes écologiques les plus exigeantes et que sa méthode de production ne nuit pas à l'environnement. La DoP (Declaration of Performance) est disponible sur www.aduro.fr.

1.2 Données techniques

Puissance nominale	6 kW
Diamètre de buse	Ø150 mm dessus/arrière
Dimensions (HxLxP)	1500 x 500 x 447 mm
Distance entre le sol et le centre de la sortie du conduit de dessus	1197,5 mm
Distance entre le centre de la sortie de conduit de dessus et le bords arrière du poêle	193 mm
Poids	169,2 kg
Matière	Acier
Combustible	Bois et Briquettes de bois
Longueur maximale des bûches	39 cm
Poêle à convection	✓
Arrivé d'air primaire, secondaire et tertiaire	✓
Système vitre propre	✓
Bac à cendres	✓
Rendement	81,3%
Pression du tirage	12 Pa
Quantité maximale de matière consommée par heure - quantité de bois approximative:	Environ. 3,1 kg
Surface de bâtiment chauffée avec:	
- Isolation optimum	150 m ²
- Isolation moyenne	100 m ²
- Isolation faible	60 m ²

1.3 IMPORTANT: NUMÉRO DE SÉRIE

Le poêle à bois porte un numéro de série qui figure sur la plaque signalétique à l'arrière du poêle. Nous vous recommandons d'inscrire ce numéro dans la case ci-dessous. Pour activer la garantie et pour toute autre démarche, vous devez pouvoir fournir ce numéro.

No. de série

1.4 Transport à domicile

Pour le transport à domicile, maintenir de préférence le poêle à bois à la verticale. Si vous avez besoin de le coucher, il convient d'enlever les pierres d'accumulation de chaleur, les pièces détachées mobiles de la chambre de combustion (grille en fonte et les pierres d'isolation) ainsi que de retirer le bac à cendres. Ou bien vous pouvez remplir la chambre de combustion avec le surplus d'emballage de telle sorte que les éléments intérieurs (vermiculite + grille en fonte) restent bien en place et n'ait pas besoin d'être retirés.

2.0 Installation du poêle à bois

Il se peut que vous vouliez installer votre poêle vous-même – nous vous recommandons cependant de consulter votre ramoneur. Votre distributeur est à votre disposition pour tout conseil concernant l'installation. Il convient de veiller à ce que toutes les réglementations locales soient respectées lors de l'installation du poêle à bois, y compris celles qui renvoient aux normes nationales et européennes.

Remarque: Le poêle à bois ne peut être utilisé pour la première fois que lorsque votre ramoneur local l'a agréé.

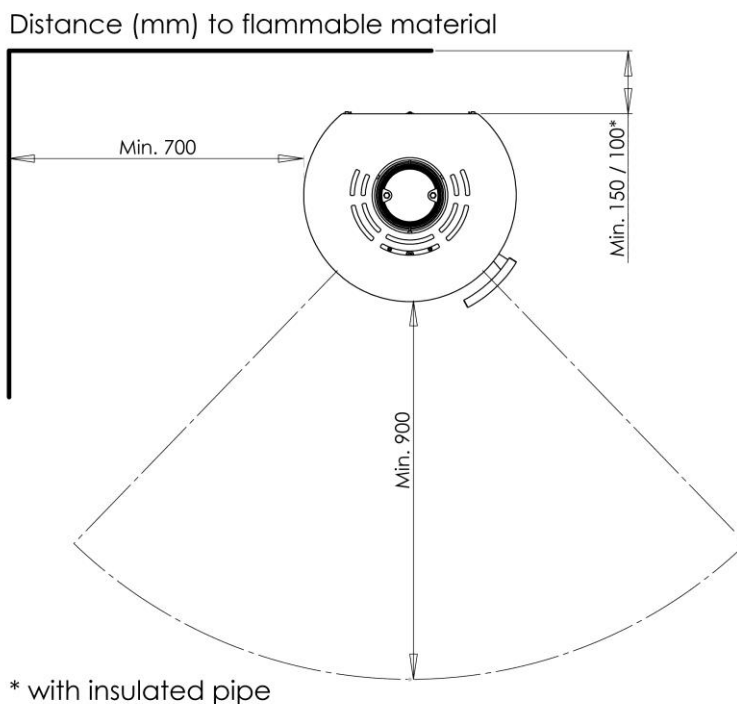
2.1 Placement du poêle/distance requise

Lorsque le poêle est installé près de matériaux inflammables, des exigences sont fixées en ce qui concerne l'écart au feu à respecter. Voir les illustrations ci-dessous.

Si le poêle à bois est placé contre un mur en briques ou tout autre matériau non inflammable, il n'y a aucun écart minimum à respecter. Pour des raisons de nettoyage et pour pouvoir exploiter au mieux l'air en convection, il est cependant recommandé de garder un écart d'environ 5 -10 cm du mur.

Distance aux matériaux inflammables

Distance à l'arrière du poêle	Distance à l'arrière du poêle avec un conduit de fumée isolé	Distance sur les côtés du poêle	Distance aux meubles
15 cm	10 cm	70 cm	90 cm

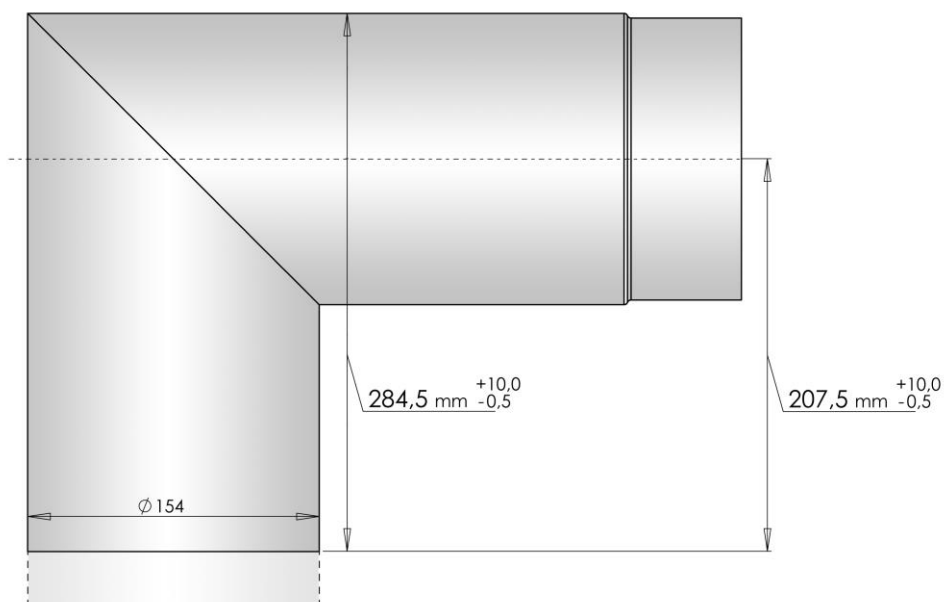


Remarque: le poêle à bois doit être installé sur un sol ayant une force portante adéquate. Si la construction existante ne remplit pas cette condition, il convient de prendre les mesures appropriées pour corriger la situation (p.ex. **en installant** une plaque de répartition de la charge).

Pour pouvoir placer un poêle à bois sur un matériau inflammable comme p.ex. un plancher en bois ou une moquette, il est nécessaire d'utiliser un support intermédiaire non inflammable. La grandeur de la plaque de support dépend de la taille du poêle à bois et doit couvrir au moins 30 cm à l'avant du poêle et 15 cm de chaque côté.

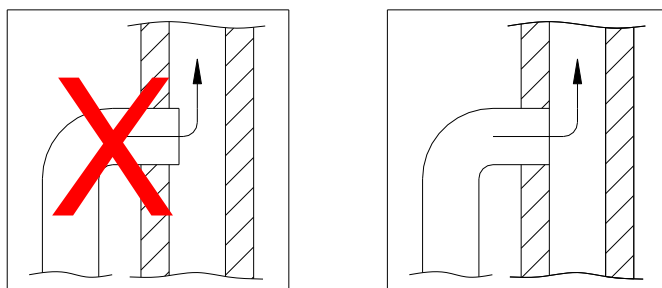
2.2 Raccordement du conduit de fumée

Lorsque le poêle Aduro 9-7 quitte l'usine, la sortie d'évacuation des fumées est fixée sur le dessus. Si vous privilégiez une sortie par l'arrière, un coude à 90° vous sera donc nécessaire. Ce tuyau de raccordement peut être raccourci si besoin comme sur l'illustration ci-dessous. La sortie d'évacuation des fumées supérieure peut être fermée à l'aide du cache plaque fourni dans le bac à cendres du poêle. Pour les poêles à bois Aduro, utiliser un conduit de raccordement de diamètre 150 mm.



2.3 Raccordement à une cheminée en maçonnerie

Si le poêle à bois est à raccorder à une cheminée en maçonnerie, utiliser un tuyau d'évacuation des fumées recourbé par la sortie du dessus. Après avoir pris les mesures, faire un trou dans la cheminée, là où il faut placer le manchon dans le mur, puis rendre le mur étanche avec du mortier pour cheminées. Placer ensuite le poêle à bois et mettre le tuyau d'évacuation des fumées en place. Appliquer le mortier en couche mince entre le tuyau de fumée et le manchon du mur afin d'assurer l'étanchéité des joints. Le tuyau de fumée doit être inséré de 5 à 10 cm dans le manchon du mur, sans toutefois bloquer l'ouverture dans la cheminée (voir illustration ci-dessous).

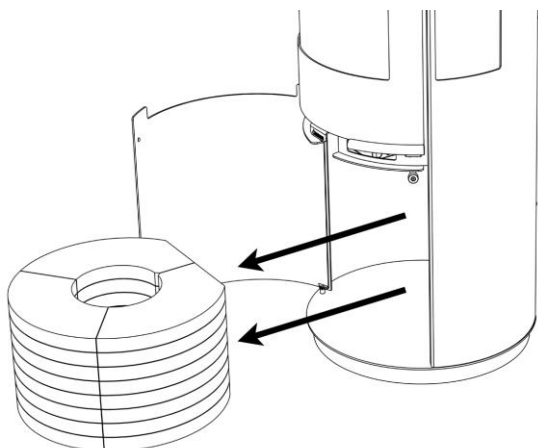


Le poêle à bois peut être connecté à une cheminée à laquelle sont raccordées plusieurs de même type (ex: 2 poêles à bois connectés sur un même conduit).

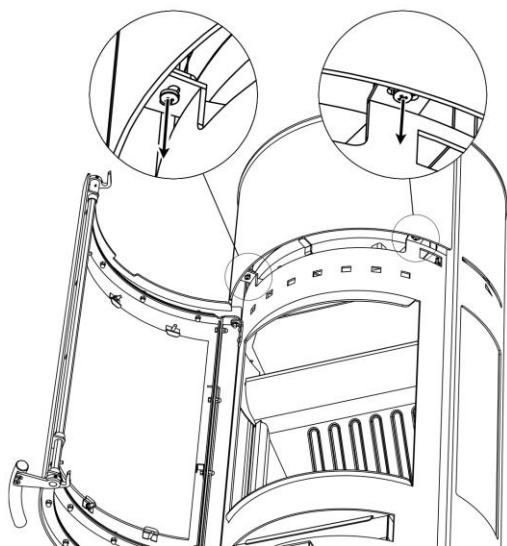
2.4 Pierres d'accumulation de chaleur

L'Aduro 9-7 est livré avec ses pierres d'accumulation de chaleur. Voici les étapes à suivre pour leur installation :

1. Retirez les pierres d'accumulation de chaleur situées dans le compartiment sous la chambre de combustion.

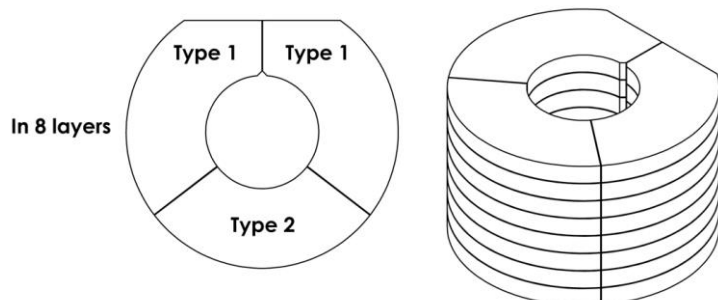


2. Démontez la façade avant

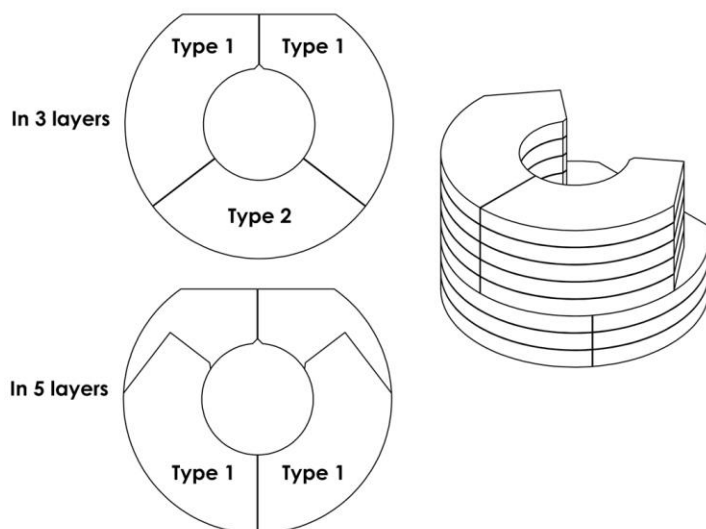


3. Attention à la disposition qui varie en fonction de l'emplacement de la sortie de fumées choisie (dessus ou arrière).

**Heat bricks placement
- by top smoke outlet**

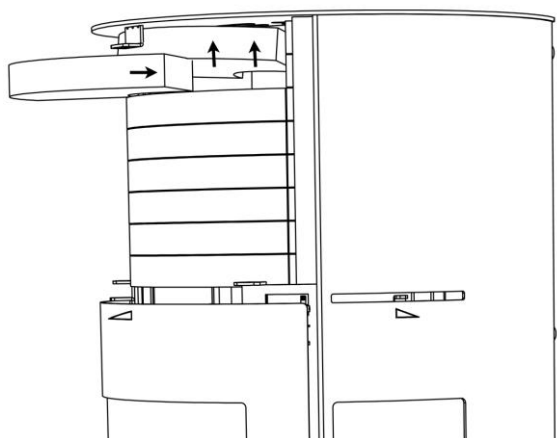


Heat bricks placement - by back smoke outlet



NB: 5 pcs. of Type 2 will not be used

4. Disposez les pierres d'accumulation de chaleur et remontez la façade avant.



3.0 Chauffage dans le poêle à bois

3.1 Données importantes concernant la sécurité

- Le poêle à bois reste chaud pendant l'utilisation; il faut donc prendre les mesures de précaution indispensables.
- Ne laisser aucun liquide facilement inflammable, comme de l'essence à proximité du poêle à bois et ne jamais utiliser de liquides facilement inflammables pour allumer le feu dans le poêle à bois.
- Ne jamais vider le bac à cendres lorsque le poêle à bois est chaud. Il peut rester des braises dans le bac à cendres jusqu'à 24 heures après extinction du feu. Attendez donc avant de vider le tiroir à cendres d'être sûr qu'il ne reste aucune braise dans les cendres.
- La porte doit rester fermée pendant l'utilisation du poêle. La porte ne doit rester entrouverte que quelques minutes pendant l'allumage.
- En cas de feu de cheminée: fermer tous les clapets du poêle à bois et appeler les sapeurs-pompiers.

3.2 Quel est le type de bois à brûler qui convient?

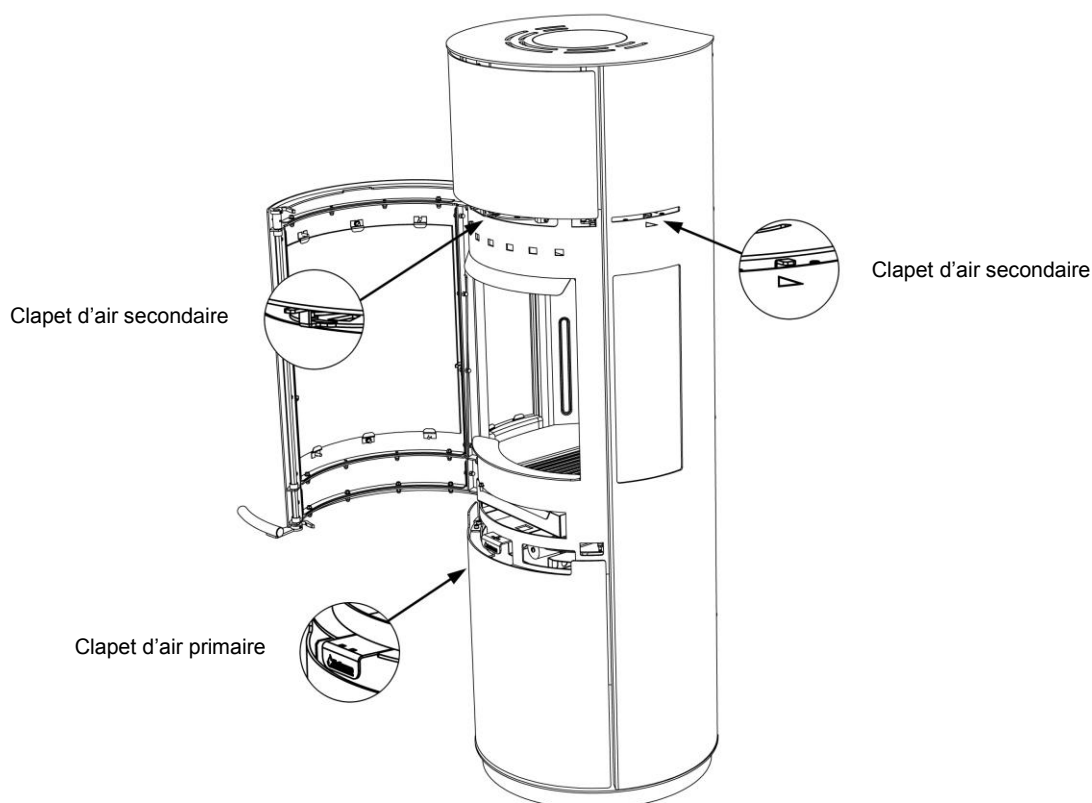
Nous recommandons d'utiliser des bûches de feuillus qui ont été entreposées dehors à l'abri pendant 1 an au moins. Les bûches stockées à l'intérieur ont tendance à être trop sèches et donc à brûler trop vite. Le bois doit de préférence être coupé pendant l'hiver, lorsque la majeure partie de l'humidité contenue dans le bois a été absorbée par les racines. Pour garantir le meilleur brûlage possible, l'humidité du bois ne doit pas dépasser 18 %, ce qui correspond à environ un an de stockage dehors à l'abri. On peut mesurer l'humidité du bois au moyen d'une jauge d'humidité ou bien en graissant une extrémité de la bûche avec du liquide vaisselle et en soufflant sur l'autre extrémité. Si la bûche est assez sèche, des bulles de savon apparaîtront. Fendre le bois en bûches de 10 cm de diamètre environ qui auront une longueur d'environ 39 cm. L'utilisation de bois trop humide risque de fortement réduire le rendement du poêle et d'augmenter l'émission de particules.

Il est interdit de brûler du bois verni, imprégné, des copeaux, du papier et tout autre déchet. Le brûlage de ces matériaux risque de nuire non seulement à l'environnement mais aussi à votre santé et d'endommager le poêle.

3.3 Comment dois-je allumer mon poêle à bois?

L'allumage détermine la rapidité et l'efficacité du démarrage de la combustion.

- 1) Ouvrir le clapet d'air primaire en bas de la porte et les clapets d'air secondaire en haut de la porte. Le clapet d'air primaire s'utilise au début pour faire prendre le feu, tandis que le clapet d'air secondaire permet de maintenir le feu. L'illustration ci-dessous montre le poêle à bois avec les clapets d'air.
- 2) Déposer une bûche de bois en travers dans la chambre de combustion et placer deux sachets d'allume-feu sur le bois. Allumer les sachets et déposer rapidement une nouvelle bûche sur les sachets ainsi que quelques petits morceaux de bois en travers sur celles-ci. L'air doit pouvoir atteindre les sachets tout en gardant les bûches proches l'une de l'autre pour qu'elles puissent se "réchauffer".
- 3) Maintenir la porte entrouverte à environ 1 cm, jusqu'à ce que la vitre soit devenue si chaude que vous ne puissiez plus la toucher. Fermer ensuite la porte. Lorsque les flammes deviennent claires et visibles et que le feu a pris, fermer le clapet d'air primaire en bas de la porte.



Remarque: la poignée de commande devient chaude lors de l'utilisation du poêle. Utiliser dès lors le gant qui est fourni pour manier celle-ci.

Sur notre site www.aduro.fr, vous trouverez une vidéo vous donnant des conseils sur l'allumage et la combustion

de votre poêle.

3.4 Premier allumage

Le poêle à bois est emballé dans un emballage recyclable (bois et plastique). Cet emballage doit être éliminé selon des réglementations nationales concernant le traitement des déchets. Le bois de l'emballage peut être scié en petits morceaux et être brûlé lors de la première utilisation du feu.

La première fois que le poêle à bois est utilisé, il peut produire de la fumée et dégager de mauvaises odeurs, ce qui est tout-à-fait normal. Ceci est dû au durcissement de la peinture résistant au feu. Veiller donc à assurer une ventilation suffisante pendant cette période. Il importe également de brûler avec prudence les 2 - 3 premières fois, car le poêle risque de subir une dilatation lente. Faire aussi attention car le poêle risque pendant l'échauffement et le refroidissement d'émettre de petites „ratées“, comme le bruit de l'eau bouillante dans un évier. Ceux-ci sont dûs aux grands écarts de température auxquels sont soumis les matériaux.

Lors du premier allumage, qui doit se faire avec environ 1 kg de bois, il est également recommandé de laisser la porte entrouverte et de ne pas la fermer avant que le poêle ne soit refroidi pour éviter que le joint de porte ne colle au corps du poêle.

3.5 Comment dois-je alimenter le feu dans mon poêle à bois?

Le poêle à bois est destiné à une combustion *intermittente*.

Cela veut dire qu'il faut recharger le feu seulement après qu'une couche de charbons ardents se soit formée.

Pour obtenir une meilleure combustion, régler la quantité de chaleur au moyen du combustible. La combustion est plus forte avec des petites bûches qu'avec des grosses, car la surface brûlée sera plus grande, ce qui libèrera une plus grande quantité de gaz. De plus, la quantité de bois introduite dans la chambre de combustion détermine aussi la combustion. Pour une utilisation normale, ne pas introduire plus de deux bûches. Si vous désirez un effet accru, vous pouvez introduire plus de bûches. La puissance calorifique nominale est obtenue lorsque l'on brûle environ 1,5 kg de bois par heure.

3.6 Clapet d'air secondaire

Le clapet d'air secondaire situé en haut et derrière la porte doit toujours rester ouvert pendant l'utilisation du poêle. Ce clapet d'air permet d'adapter comme souhaité le poêle au tirage de la cheminée et à l'effet calorifique. Plus on maintient le clapet d'air ouvert, plus l'air sera alimenté en vue d'une combustion plus forte. Dans des conditions normales, le poêle à bois fonctionne avec cette valve ouverte entre 60 % et 100 %.

Ne jamais le fermer car si l'air diminue, les flammes vont s'éteindre. Les flammes doivent toujours rester visibles pour obtenir une combustion vraiment efficace. Un apport d'air trop faible peut entraîner une mauvaise combustion, des émissions plus élevées et une mauvaise efficacité.

Si on souhaite que le poêle à bois fonctionne à la puissance la plus basse (environ 3 kW) il faut, 45 minutes après avoir chargé le feu, fermer le clapet d'air secondaire presque complètement. Dès lors, il reste peu de flammes et le poêle à bois aura une combustion propre à l'aide de l'air tertiaire visible au fond de la chambre de combustion.

3.6.1 Vitre latérale et adaptateur

L'adaptateur secondaire sur le verre latéral vous permet d'ajuster le poêle à bois au conduit de cheminée et l'apport de chaleur que vous souhaitez. Il aide également à maintenir la vitre latérale plus propre quand il est ouvert.

Clefs Aduro: ces clefs sont jointes au poêle et ont pour but de faciliter le maniement du clapet d'air secondaire. La clef a la forme d'une poignée pour vous permettre ainsi d'ajuster facilement l'amenée d'air d'un côté à l'autre. En la poussant vers la droite, on augmente l'apport d'air et vers la gauche, on le diminue.

3.7 Clapet d'air primaire

Lorsque vous introduisez de nouvelles bûches, le clapet d'air primaire en bas de la porte doit être ouvert, jusqu'à ce que le feu ait bien pris. Pour utiliser au mieux votre combustible, il est préférable d'attendre avant d'introduire de nouvelles bûches, que la couche de charbons ardents ait suffisamment diminué; il faudra alors ouvrir le clapet d'air primaire pendant environ 2 minutes pour permettre au feu de prendre dans les nouvelles bûches.

Pour empêcher une chute des cendres au sol lorsque la porte sera ouverte pour l'introduction de nouvelles bûches, il est recommandé d'ouvrir le clapet d'air primaire pendant environ 1 minute avant d'ouvrir la porte. Ceci a pour effet d'augmenter le tirage à travers le poêle et de réduire le risque de chute de cendre.

Remarque: si vous surchauffez le poêle et brûlez plus d'environ 3,1 kg de bois à la fois, la peinture du poêle risque de se décolorer et de se détacher par la suite. Le poêle peut être réenduit de peinture plus tard, mais ce processus

n'est pas couvert par la garantie du fabricant. De même, si le poêle subit d'autres dommages dû à sa surchauffe, ceux-ci ne seront pas couverts par la garantie.

3.8 Aduro-tronic

Le dispositif Aduro-tronic automatique pour lequel une demande de brevet a été déposée permet de contrôler le poêle à bois à votre place. Il ne vous reste ainsi plus qu'à penser à introduire des bûches sèches dans le poêle et à activer le dispositif automatique.

L'Aduro-tronic se charge du reste et vous pouvez ainsi bénéficier de flammes et d'une combustion efficace. L'Aduro-tronic est un dispositif mécanique de démarrage manuel qui fonctionne sans utilisation d'énergies quelconques.



Remarque: il importe à tout moment d'utiliser du bois sec ayant la taille correcte pour obtenir la meilleure combustion possible.

3.8.1 Voici comment fonctionne l'Aduro-tronic

A l'allumage

Pour le premier allumage du poêle, il est très important d'alimenter le poêle avec un maximum d'air primaire pour que le feu prenne bien.

Le clapet d'air primaire peut donc être maintenu "ouvert de force". Pour ce faire, tirer le clapet d'air primaire complètement puis introduire la clef Aduro (voir illustration). Dès que le poêle est devenu assez chaud et qu'il y a une couche de charbons ardents au fonds de la chambre de combustion, le dispositif Aduro-tronic peut être mis en position automatique. C'est-à-dire que la clef Aduro peut maintenant être retirée.

Ou bien, vous pouvez maintenir la porte entrouverte pendant les quelques premières minutes de la phase d'allumage (sans clef).

Lors du chauffage

À chaque fois vous mettez de nouvelles bûches dans le poêle à bois, il faut alimenter le poêle pendant les premières minutes d'une certaine quantité d'air. Il faut pourtant veiller que cet apport d'air primaire ne soit pas trop long, ceci pour assurer une combustion optimale.

Le dispositif Aduro-tronic se charge d'arrêter l'air primaire au bon moment. Pour activer le dispositif automatique, il suffit de retirer le clapet d'air primaire chaque fois que vous ajoutez du bois. Le dispositif Aduro-tronic automatique fermera ensuite le clapet d'air progressivement après un temps préprogrammé en usine.

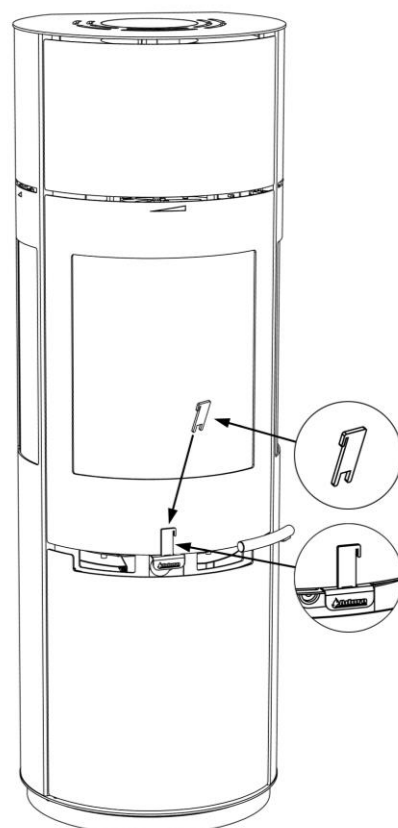
Réglage du dispositif Aduro-tronic automatique

Le dispositif automatique est pré réglé de sorte que l'entrée d'air primaire s'arrête au cours des 5 premières minutes. Ce réglage est utilisé au cours du test sur le poêle à bois dans notre centre de tests avec des bûches de taille "standard" ayant une humidité optimale de 17-18 %. La taille standard pour les bûches est d'environ 30 cm de longueur et d'environ 10 x 10 cm d'épaisseur. Une cheminée "standard" est aussi utilisée pour le test. En pratique, ces conditions peuvent changer. Vous pouvez donc régler le dispositif Aduro-tronic.

Si vous souhaitez que l'arrivée d'air primaire soit fermée un peu plus lentement: (p.ex. si votre cheminée a un tirage un peu plus faible, si votre feu est un peu plus gros, ou si vous désirez avoir de longs intervalles entre les chauffages), ajustez la vis à l'avant du dispositif de commande avec un cle allen en la poussant un peu, pour que la fermeture se fasse plus lentement. Si vous tournez la vis vers la droite, le temps de fermeture augmente et si vous la tournez vers la gauche, le temps de fermeture diminue. L'Aduro-tronic doit se toujours fermer avant 6 minutes.

3.9 Ventilation / apport d'air frais

Pour que le poêle à bois puisse fonctionner de la meilleure manière possible, il a besoin d'un apport d'air qui permette la combustion. Il faut donc qu'il y ait de l'air qui entre dans la pièce où le poêle est installé. Les maisons étanches, les hottes puissantes et les installations climatiques peuvent causer une dépression autour du poêle à bois, qui produit de la fumée et une mauvaise combustion. Dans ce cas, il est nécessaire d'ouvrir une fenêtre pour



faire entrer de l'air qui permette la combustion et compense la dépression. Vous pouvez aussi faire installer une grille à air dans la pièce où se trouve le poêle à bois.

4.0 Cheminée

Données permettant le calcul de la cheminée:

	Bois
Température de la fumée mesurée à [20°C]	245
Tirage de la cheminée avec effet d'épreuve [mbar]/[Pa]	0,12/12
Débit massique des gaz de combustion [g/s]	5,7

La meilleure combustion possible s'obtient avec un tirage de cheminée constant de 0,10 à 0,14 mbar, mesuré dans le tuyau d'évacuation des fumées au-dessus du poêle. De nombreux facteurs influencent le tirage de la cheminée, notamment la température extérieure, la force du vent et les bâtiments avoisinants. S'il n'est pas possible d'établir un tirage de cheminée naturel suffisant, il faut installer un extracteur de fumée sur la cheminée. Si le tirage de la cheminée est trop fort, il est possible d'installer une vanne permettant de régler le tirage de la cheminée (régulateur de tirage) Contactez votre ramoneur local pour obtenir de plus amples informations.

4.1 Mauvais tirage dans la cheminée

Si la cheminée est trop basse, non étanche ou mal isolée, il peut y avoir des problèmes de tirage de celle-ci (demandez à votre ramoneur d'évaluer la situation). Le tirage doit se situer aux environs de 0,10 – 0,14 mbar pour assurer une combustion satisfaisante et empêcher le dégagement de fumée.

Si le ramoneur estime que le tirage est bon et que vous avez encore des problèmes avec l'allumage, vous pouvez essayer de prolonger la phase d'allumage en utilisant plusieurs bûchettes minces pour permettre à la cheminée de bien monter en température dans l'intervalle. La cheminée tirera d'autant mieux qu'elle sera chaude. Lorsqu'une couche de charbons ardents s'est formée, ajouter 2-3 bûches sèches.

5.0 Entretien du poêle à bois

Joint

Au bout d'un certain temps, les joints de porte vont s'user et doivent donc être examinés. Si ils ne sont plus étanches, ils doivent être remplacés.

Vitres

Le bois vert risque de causer des tâches de suie sur la vitre. On peut cependant éliminer facilement ces tâches en utilisant un chiffon humide trempé dans la cendre refroidie, avec lequel on frotte la vitre recouverte de suie. Il existe aussi des produits de nettoyage qui conviennent particulièrement pour enlever les tâches de suie des vitres – p.ex les éponges en laine d'acier Aduro.

Chambre de combustion

Les plaques jaunes situées dans la chambre de combustion s'usent naturellement et doivent être remplacées lorsqu'elles présentent des fissures de plus d'un demi-centimètre. La résistance des plaques dépend de la fréquence et de la puissance avec lesquelles le poêle est utilisé. Vous pouvez remplacer les plaques vous-mêmes; elles existent sous forme des jeux - prêt à utiliser. Vous pouvez aussi acheter des plaques entières pour découper vous-même les plaques fendues. Pour des plus amples informations veuillez consulter notre site www.aduroshop.com.

Cendres

Vider le bac à cendres avant qu'il ne soit complètement rempli. Laisser toujours une couche de cendres au fonds du poêle, car elle permet d'isoler la chambre de combustion et facilite l'allumage.

Nettoyage du poêle à bois

La surface du poêle est revêtue d'une couche de peinture Senotherm® résistant à la chaleur. La surface se nettoie facilement au moyen d'un aspirateur avec un petit embout brosse douce ou avec un chiffon doux sec. Ne pas utiliser d'alcool ni d'autres solvants qui risquent d'ôter la peinture et **ne jamais nettoyer votre poêle à bois en utilisant de l'eau.**

L'intérieur du poêle et les conduits de fumées se nettoient par la porte ou, le cas échéant, par l'orifice de nettoyage du conduit d'évacuation des fumées. Pour un accès facile vous pouvez démonter la plaque haute en vermiculite. Le déflecteur en acier peut aussi être démonté.

L'intérieur du poêle et le conduit de fumée doivent être nettoyés tous les ans ou selon les besoins selon la fréquence avec laquelle le poêle à bois est utilisé. Ce travail peut aussi être exécuté par votre ramoneur.

Réparation de la surface

Si votre poêle est griffé ou si sa surface est usée, il est facile de traiter et rafraîchir la surface du poêle avec la peinture Senotherm® d'origine qui s'achète sous forme de bombe aérosol. Vous pouvez l'obtenir en noir ou en gris auprès de votre distributeur local.

Remarque: le nettoyage du poêle à bois doit toujours se faire à froid.

Pièces de rechange et modification non autorisée

Seules les pièces de rechange d'origine peuvent être utilisées pour le poêle à bois. Lire la suite sur www.aduroshop.com. Toute modification non autorisée du poêle est interdite car elle risque de rendre le poêle non conforme aux spécifications approuvées.

6.0 Accessoires

Il existe une vaste gamme d'accessoires pour les poêles Aduro:

- Serviteurs
- Paniers à bûches imitation cuir et haut de gamme
- Seaux à bûches
- Seau pour briquettes et seau à cendre
- Pare-feux pour cheminées
- Plaque de sol en verre et acier
- Conduits d'évacuation des fumées
- Aduro Easy Clean (éponges en laine d'acier pour le nettoyage des vitres)
- Aduro Easy Firelighter (allume-feu)

7.0 Droit de réclamation et garantie

Conformément à la Loi sur les achats, le droit de réclamation est valable deux ans à compter de la date d'achat du poêle à bois. La facture portant la date d'achat tient lieu de preuve. Le droit de réclamation ne couvre pas les dommages causés par l'installation ou l'utilisation incorrecte du poêle à bois. De même, le droit à réclamation ne couvre pas les pièces détachées ou les pièces d'usure (pierres réfractaire, vitres, joints, coulisses de tiroir, grilles en fonte et poignées), car celles-ci vont s'user lors de l'utilisation courante. Vous pouvez les acheter en tant que pièces de rechange.

7.1 Garantie en ligne (gratuite)

Aduro vous donne la possibilité de prolonger la garantie mentionnée ci-dessus de deux à cinq ans. Il vous suffit de visiter notre site internet: www.aduro.fr et d'enregistrer votre nouveau poêle à bois sur notre base de données pour la garantie. La garantie entrera en vigueur dès que vous aurez rempli tous les champs de données. Le délai pour l'enregistrement de votre poêle à bois est un mois après votre achat.

8.0 Questions et réponses

Pour obtenir de plus amples informations, consulter le site www.aduro.fr.

Nous vous souhaitons de profiter pleinement de votre poêle à bois Aduro!

Check out our full range of Heating Products

Central Heating Controls

Honeywell Heating Controls

Danfoss Heating Controls

Radiator Valves

Fernox

Sentinel

Magnaclean

Warmup underfloor heating

Water Heaters

Hand Dryers

plumbworld
Big brands, small prices.