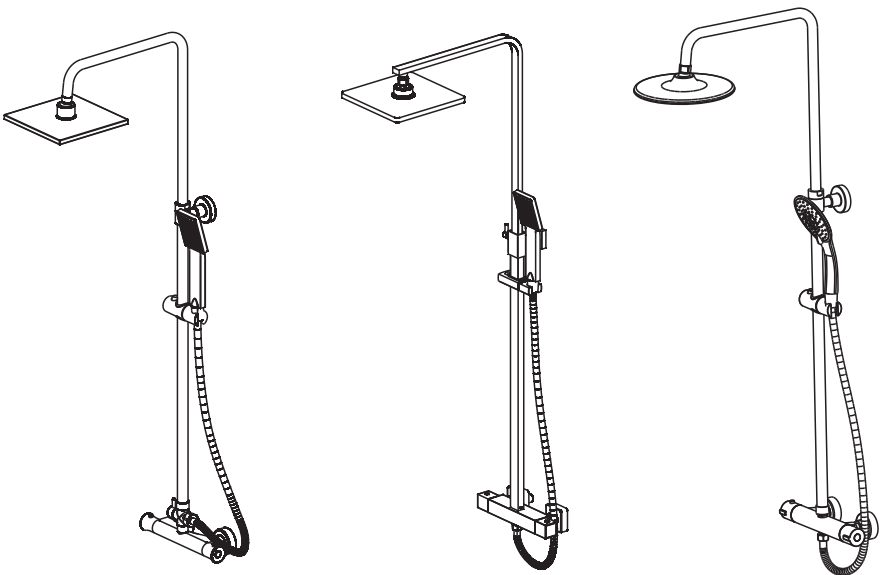


# plumbworld

Big brands, small prices.

## Exposed Thermostatic Shower Set General Installation Instruction



Head Shower, Hand Shower & Mixer may vary,  
depending on model chosen.

Email: [customerservices@plumbworld.co.uk](mailto:customerservices@plumbworld.co.uk)

Sales Hotline: 01386 800750

## MUST READ – IMPORTANT

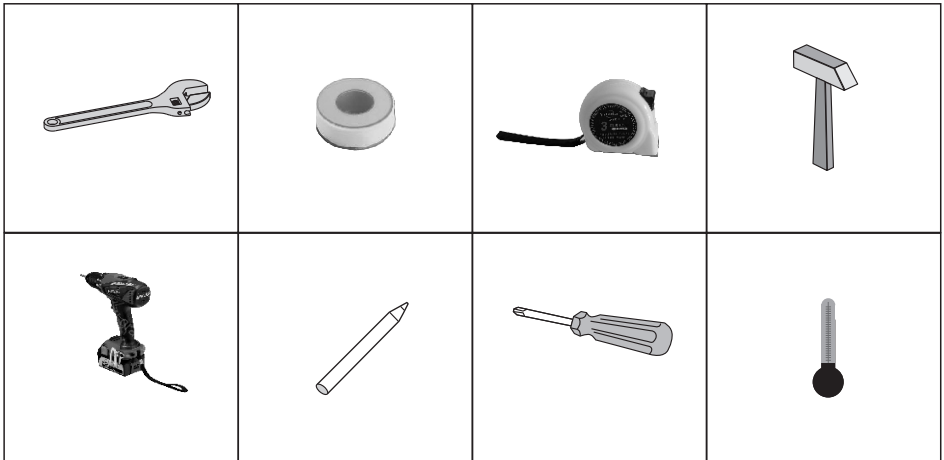
We highly recommend this instruction is read carefully before you start installation. And please retain it after installation for future reference and maintenance.

First, open the box and check all items are present as per this instruction.

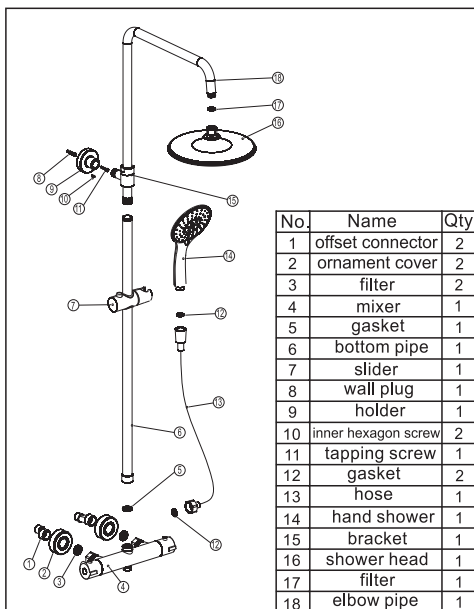
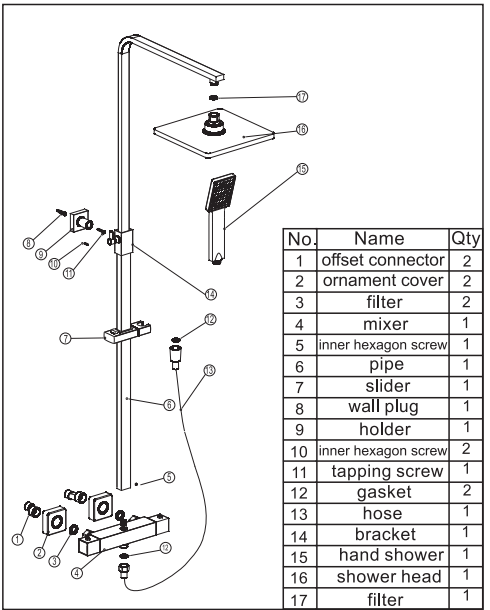
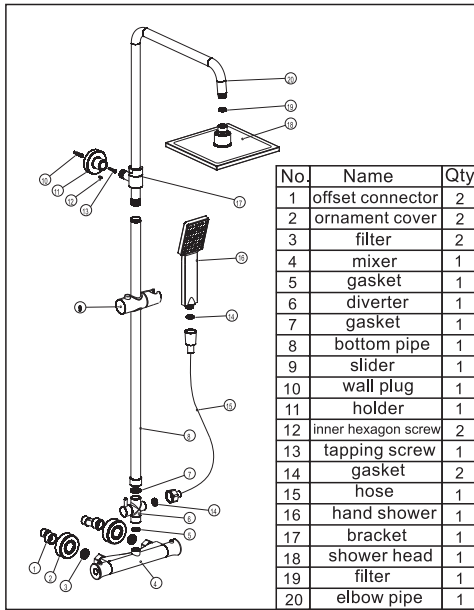
Also make sure any other items that you need are available too for e.g. compression fittings, wrench, PTFE tape.

Installation must comply with Local/ National supply regulations/ Authority and byelaws inc. Building and Plumbing regulations.

## YOU MAY NEED



# ASSEMBLY & PARTS LIST



## OPERATING SPECIFICATIONS

Hot Water Supply Temperature

Maximum: 85°C

Minimum hot water supply temperature: 10°C higher than the maximum required mixer temperature.

Operating Pressures:

Maximum operating pressure 5 bar

Minimum operating pressure 0.5 bar

## GENERAL INSTALLATION

This is a mixing system and hot and cold supplies must be reasonably balanced for proper flow (outlet).

Prior to making the inlet connections; please ensure all pipes are properly and thoroughly flushed to clear any debris etc.

You should satisfy yourself that this is clean. Failure to do so may result in a low flow rate from mixing device.

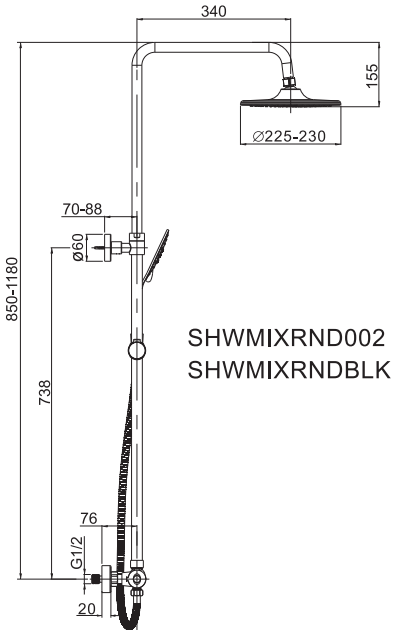
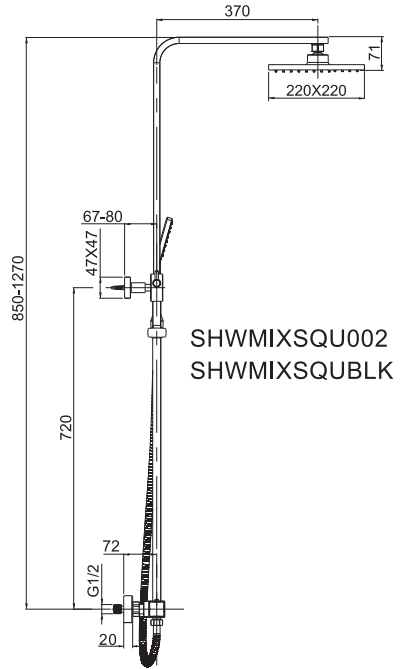
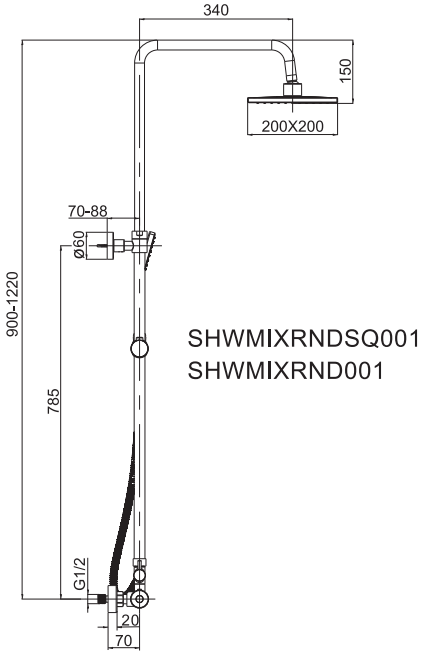
We strongly recommend fitting of isolating valves to the inlet pipes to assist in future maintenance of the mixer.

Please take great care when installing this valve not to damage its surface.

Use a reducer to the inlet feeds if water pressure is above 5 bar.

# DIMENSIONS

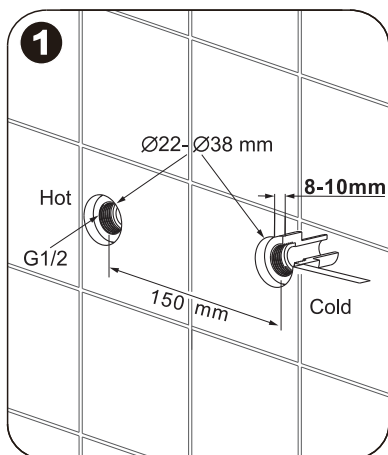
Head shower, hand shower & mixer may vary, depending on model chosen.



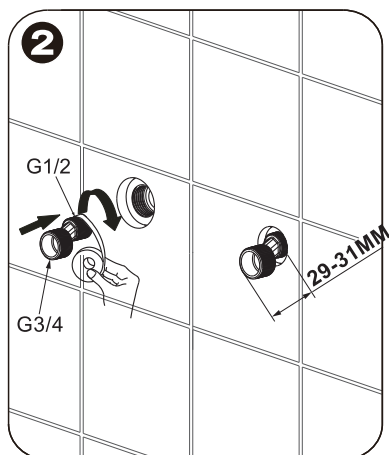
## INSTALLATION

Clear/ Rinse pipework thoroughly and carefully for a reasonable amount of time prior to fitting the valve. No dirt, metal, wood shavings, debris or foreign material should block the filters fitted on the inlets of the valve.

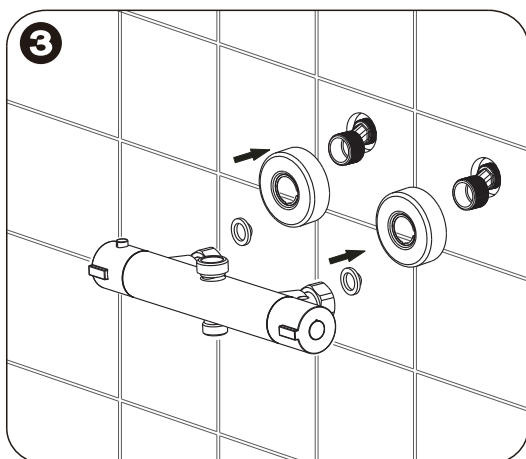
**WARNING:** Before drilling any holes, ensure no cables or pipes are in the way.



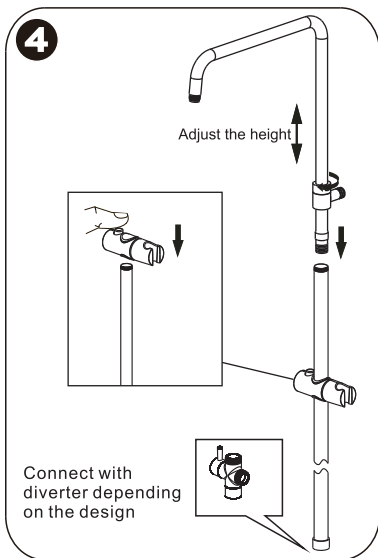
1. Inlet pipework should be at 150mm pipe centers.



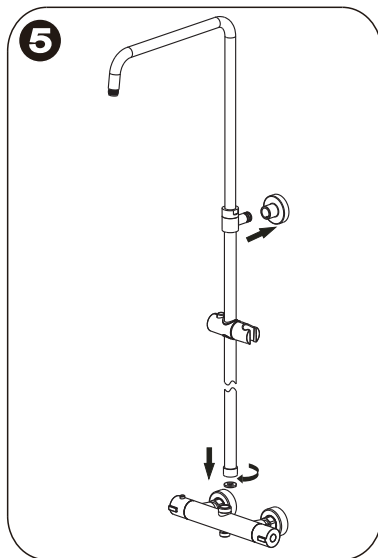
2. Wrap PTFE tape to the offset connectors and fix to the wall pipe.



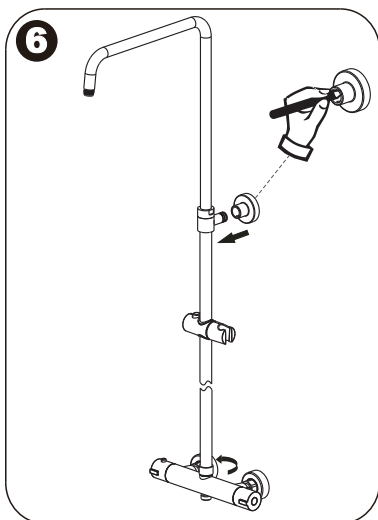
3. Fix the ornament covers to the offset connectors, put the washers into the hex nuts, and then fix the shower mixer to the offset connectors. (Please check the hot inlet is with a red mark and the cold inlet with a blue mark).



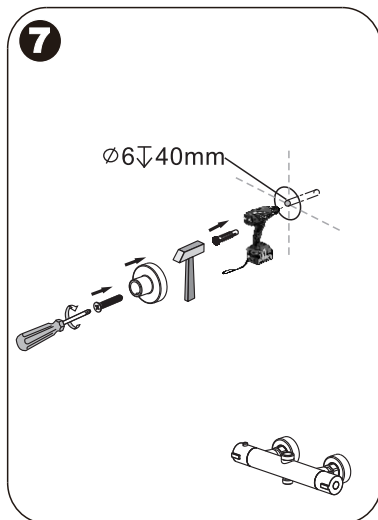
4. Fit the slider onto the straight pipe, then insert the elbow pipe and push firmly to engage the O-ring seal into straight pipe, screw the straight pipe into the bracket. Loosen the locking nut on bracket to adjust the desired shower rail height and re-tighten.



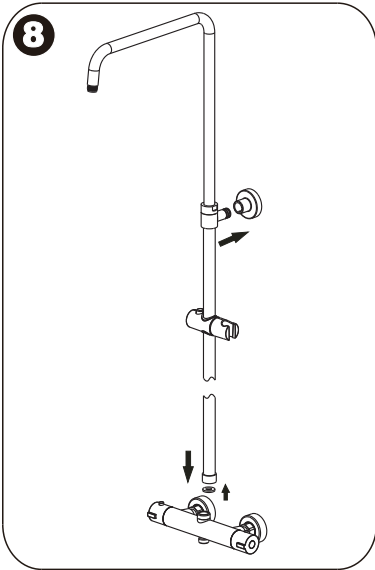
5. Slide the wall holder onto the bracket rod and loosely attach the shower rail onto the bar valve with gasket.



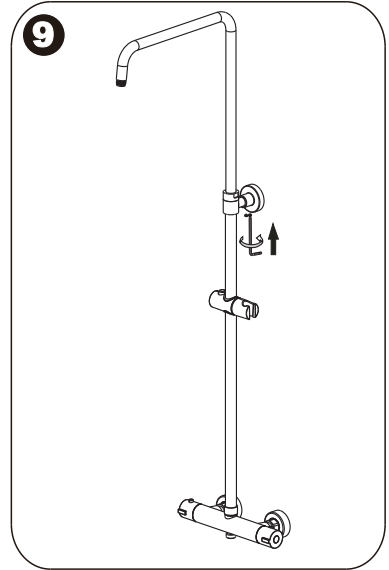
6. Position the wall holder with bracket and use a level to ensure the shower rail is straight. Mark the fixing point and then remove the shower rail and set aside.



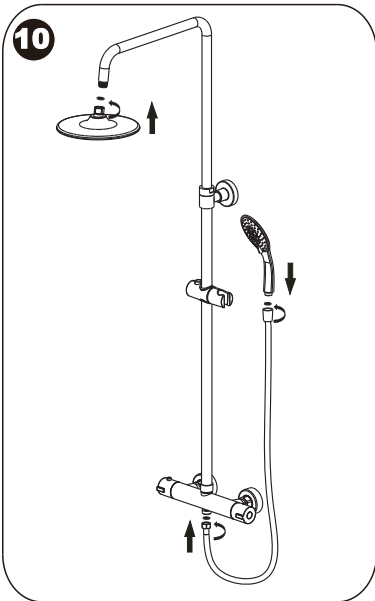
7. Drill and insert the wall plug into the wall, then fix the holder by tapping screw supplied.



8. Reposition the shower rail onto the bar valve outlet - hand tighten only.

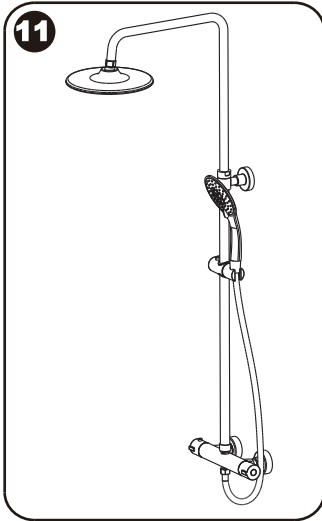


9. Tilt the shower rail back and slot the bracket rod into the wall holder, put in place by gently tightening the screw by hexagon spanner.



10. Connect the shower head, hand shower and hose to the bar valve and shower rail.





11. Turn the flow control handle fully on to start the water flow from head shower or hand shower.
12. Turn the thermostatic handle fully clockwise, this is the maximum cold temperature position, ensure that the water runs cold.
13. Turn the thermostatic handle and press the button to full anti-clockwise, this is the maximum hot temperature position, ensure that the water runs hot.
14. Turn the thermostatic handle back to the central stop position and check that the water temperature settles at 38 Celsius by running the water for 5 minutes.

## TEMPERATURE RESETTING

These mixers are factory set under balanced pressure with hot supply coming in at 65 Celsius. If your installations are significantly different then the water temperature may vary from setting.

If the difference is too much then we recommend you to calibrate the mixer to suit requirements of your installation as follows:-

1. Turn the thermostatic handle to the stop position, remove screw cover and loosen grub screw inside handle.
2. Pull the handle from the mixer; DO NOT remove the thermostatic control ring.
3. Measure the water temperature on the outlet by thermometer, and turn the inner spindle until the 38 Celsius is achieved (turn the inner spindle anti-clockwise when the water tests colder; turn the inner spindle clockwise when the water tests hotter)
4. Once the temperature has been reached, replace the handle, so that the stop pin inside sits against the control ring.

## PRODUCT AFTERCARE

Due care is required to maintain the product and care must be taken whilst cleaning for brand new refreshing looks at all times.

Use a small amount of soap and a damp cloth to clean the accessories, then perform a simple rinse and wipe dry. After each use, dry the surface of the accessories to avoid green and yellow spots on the product.

Please do not use rough sponges or detergents during the cleaning process. Do not scrub or scour.

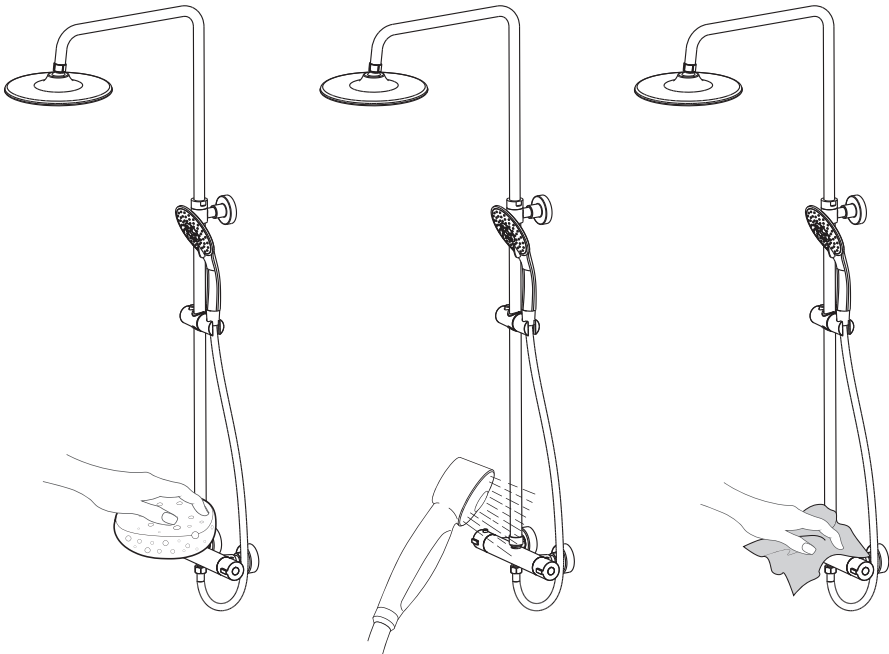
Do not use cleaning agents containing solvents or acidic substances.

Do not use descaling agents, practical vinegar, or cleaning agents containing waxy acid.

Do not use cream cleaners or cleaners containing bleach.

Do not use abrasive cleaning agents.

If above instructions are not adhered to, this will invalidate your guarantees.

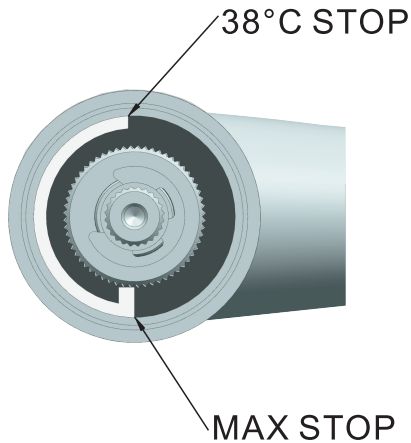


## MAINTENANCE

As water quality is different all over, the filters of cartridges and other parts housed inside the mixer may become dirty / clogged which will result in reduced flow and inefficient valve operation.

To clean, please remove the thermostatic cartridge from the housing to clean its filters.

1. Shut off the water supply with isolating valves on both hot/cold inlets.
2. Unscrew the handles by unscrewing the holding screws. And pull out the handle and temperature control ring
3. Now remove the cartridge with a wrench or similar tool.
4. Rinse the filters to remove dirt thoroughly, soak them in a de scaling agent or even vinegar. Do it as thoroughly as possible.
5. The housing of the thermostatic cartridge must also be cleaned thoroughly with a wet cloth. The O rings of the cartridge should be greased too.
6. Now reassemble the cartridge ensuring temperature control ring rightly point to 12 o'clock position.



7. Finally, make sure everything is secure and tight. Water supply can now be turned on from the isolating valves.
8. Ensure you are happy with it at this stage, check water temperature and if not ok then calibrate as explained above.

## TROUBLE SHOTTING

If you followed the instructions carefully and your mixer still does not work properly, take these corrective steps.

<b>Problem</b>	<b>Possible Cause</b>	<b>Action</b>
<p>Outlet temperature too cold</p>	<ul style="list-style-type: none"> <li>● No hot water reaching mixer</li> <li>● Filter block</li> <li>● If the fault has been present since the mixer was installed it is possible that the inlets were installed incorrectly</li> <li>● The water supply will be colder in winter months due to outside temperature</li> </ul>	<ul style="list-style-type: none"> <li>● Check the water supply for any blockages</li> <li>● Remove filters and clean</li> <li>● Check installation-Hot on the left /cold on the right</li> <li>● It may be necessary to adjust the hot supply. i.e. increase the hot water temperature setting on boiler</li> </ul>
<p>Outlet temperature too hot</p>	<ul style="list-style-type: none"> <li>● No cold water reaching mixer</li> <li>● Filter block</li> <li>● If the fault has been present since the mixer was installed it is possible that the inlets were installed incorrectly</li> <li>● The water supply will be hotter in summer months due to outside temperature</li> </ul>	<ul style="list-style-type: none"> <li>● Check the water supply for any blockages</li> <li>● Remove filters and clean</li> <li>● Check installation-Hot on the left /cold on the right</li> <li>● It may be necessary to adjust the hot supply. i.e. decrease the hot water temperature setting on boiler</li> </ul>
<p>Only hot or cold water from valve outlet</p>	<ul style="list-style-type: none"> <li>● Possible that the inlets have been installed the incorrect way around</li> <li>● If only cold water is coming out of the mixer it is possible there is a cartridge fault</li> <li>● Filters blocked</li> </ul>	<ul style="list-style-type: none"> <li>● Check that the inlets are installed correctly-Hot on the left/cold on the right</li> <li>● Remove and check the condition of the thermostatic cartridge</li> <li>● Remove filters and clean</li> </ul>

<p>Cannot Adjust temperature</p>	<ul style="list-style-type: none"> <li>● Possible that the cartridge is sticking due to a lime scale build up</li> <li>● Over ride temperature manually</li> </ul>	<ul style="list-style-type: none"> <li>● Remove the thermostatic cartridge and service.</li> <li>● Remove the temperature handle by removing the end cap and center retaining screw turn the flow of water on fully and turn the cartridge spindle anti-clockwise to increase the water temperature and clockwise to decrease the water temperature</li> </ul>
<p>Poor flow rate</p>	<ul style="list-style-type: none"> <li>● Insufficient water pressure</li> <li>● Filters partially blocked</li> <li>● Flow valve not fully opening</li> </ul>	<ul style="list-style-type: none"> <li>● The required minimum water pressure is 0.5bar(5Mpa)</li> <li>● Remove filter and clean</li> <li>● Remove and check the condition of the flow mixer</li> </ul>
<p>Water leaking from shower head when the valve is turned off/closed</p>	<ul style="list-style-type: none"> <li>● This can be normal for a short period of time after the shower has been used</li> <li>● Check that the pressures do not exceed that stated for the product</li> <li>● Flow valve leaking</li> </ul>	<ul style="list-style-type: none"> <li>● N/A</li> <li>● If pressures are too high adjust as necessary, refer to technical data</li> <li>● Remove and check the condition of the flow mixer</li> </ul>
<p>Water leaking from shower valve /controls</p>	<ul style="list-style-type: none"> <li>● Leaking from flow mixer</li> <li>● Leaking from thermostatic cartridge</li> <li>● Check that the pressures do not exceed that stated for the product</li> </ul>	<ul style="list-style-type: none"> <li>● Remove and check the condition of the flow mixer.</li> <li>● Remove and check the condition of the thermostatic cartridge.</li> <li>● Check that the pressures do not exceed that stated. If pressures are too high adjust as necessary. Refer to technical data</li> </ul>