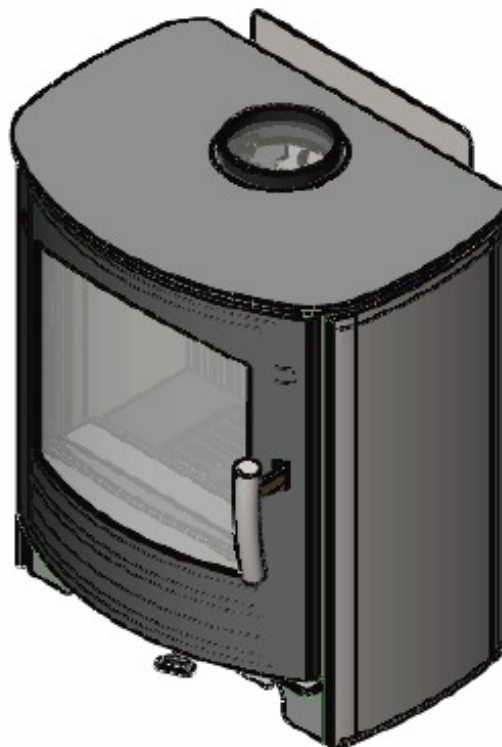
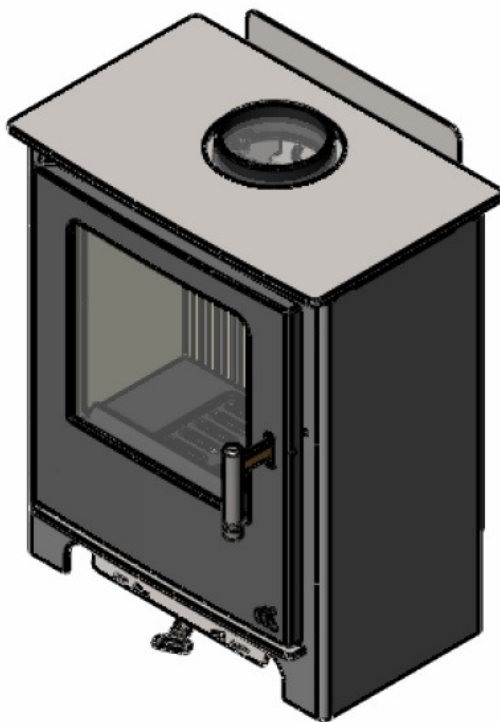


OPERATION AND INSTALLATION MANUAL Multi-fuel and SE models

Guide d'utilisation et Mode d'Emploi

Loxton 5 SE MK4

Loxton 5 Logstore SE MK4



Churchill 5 SE MK4

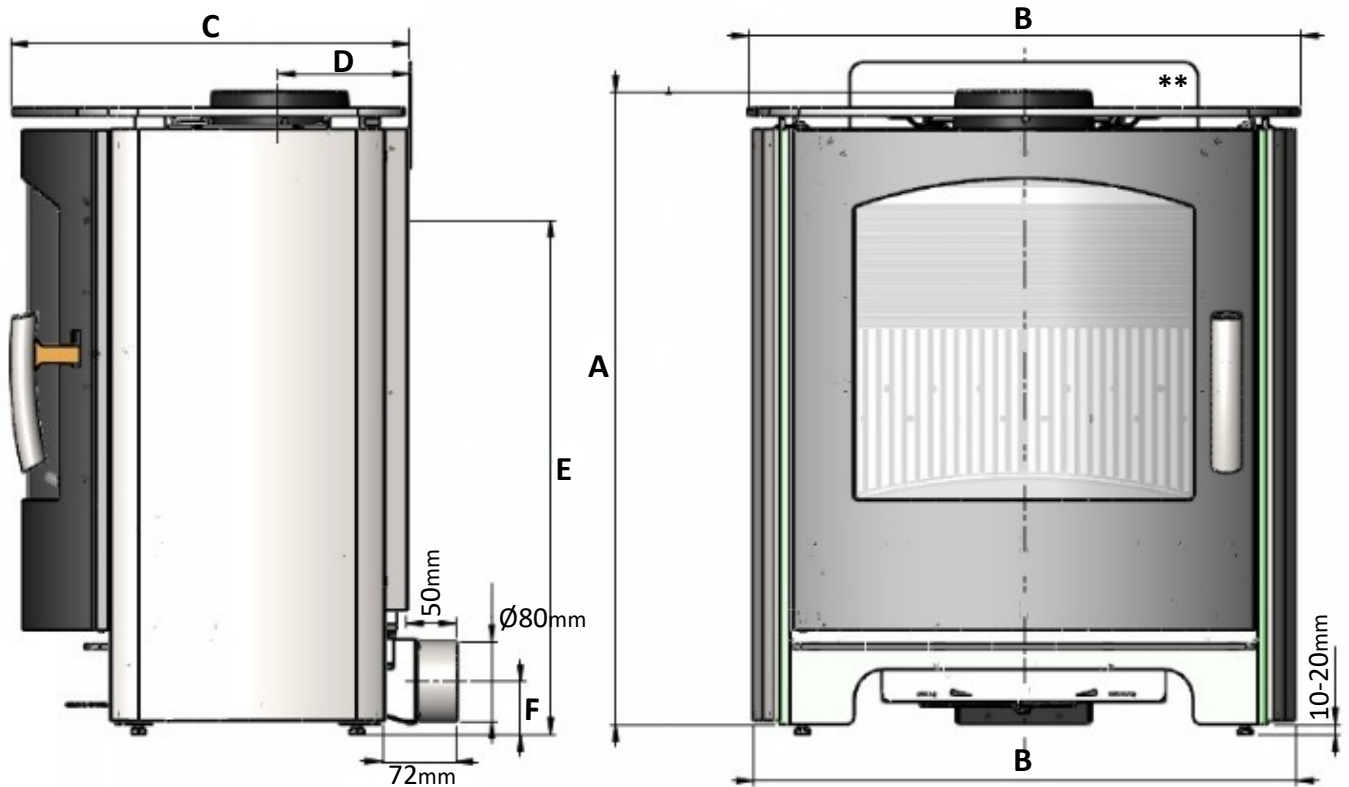
Churchill 5 Convection SE MK4

Churchill 5 Convection Logstore SE MK4

STOVE DIMENSIONS AND CONNECTION MEASUREMENTS
DIMENSIONS DES POÊLES ET DE TAILLES DE RACCORDEMENT

THE INTERNAL DIAMETER OF THE FLUE COLLAR IS 125mm

Le diamètre interne du collet de cheminée est de 125mm



		CHURCHILL 5	CHURCHILL 5 CONVECTION	CHURCHILL 5 CONVECTION LOGSTORE / RANGE-BÛCHE	LOXTON 5	LOXTON 5 LOGSTORE / RANGE-BÛCHE
HEIGHT <i>Hauteur</i>	A	632mm	632mm	821mm	632mm	790mm
WIDTH <i>Largeur</i>	B	510mm	554mm	554mm	510mm	510mm
DEPTH <i>Profondeur</i>	C	399mm	399mm	399mm	327mm	327mm
DEPTH inc. HANDLE <i>Profondeur inc. la poignée</i>	—	401mm	401mm	401mm	393mm	393mm
DISTANCE FROM / Distance entre	CENTRE OF FLUE TO REAR OF STOVE <i>Centre de la sortie de fumée et l'arrière du poêle</i>	D	132mm	132mm	132mm	132mm
	CENTRE OF REAR FLUE OUTLET TO FLOOR <i>Centre de la sortie de cheminée arrière et le sol</i>	E	514mm	514mm	703mm	514mm
	CENTRE OF AIR INTAKE TO FLOOR <i>Centre de la prise d'air et le sol</i>	F	48mm	48mm	232mm	48mm
WEIGHT <i>Poids</i>	—	71kg	82kg	87kg	71kg	82kg

The **direct air intake spigot** (80mm diameter) to the rear of the stove is removable with a 2.5mm Allen key.
 Le collier d'admission d'air direct (diamètre 80 mm) à l'arrière du poêle est amovible avec une clé Allen de 2.5 mm.

Contents



PAGE	ITEM	
3-9	Installation Instructions	ENG
10-16	Operating Guidance	ENG
17-24	How to? Exploded parts diagrams <i>Pièces détachées, vue éclatées, assemblage</i>	ENG/FR
25-35	Guide d'utilisation et Mode d'Emploi	FR

MENDIP STOVES WARRANTY

5 Year Extended Warranty

If you have purchased your stove from a Mendip Stoves registered retailer, then your stove will carry a 2 year warranty as standard. The 2 year warranty can be further extended to a total warranty period of 5 years by registering your Mendip Stove within one month of the latter of the purchase date or installation date. Accordingly, the start date for the warranty period is the date of purchase. During the registration process, the Registered Retailer details will be required for your Extended Warranty to be activated. Any product purchased outside of our registered Retailer Network will carry a standard 12 month, non-extendable warranty. It is a condition of the Extended Warranty that the installation complies with the relevant Building Regulations and is carried out by a suitably trained and qualified individual (HETAS in the UK or equivalent in other countries) with the certificate of installation and proof of purchase supplied. Full terms and conditions are detailed in the



Warranty Statement on the Eurostove website www.eurostove.co.uk. In the event of any conflict of information the wording on the website shall prevail. Important Note: Should any problems be experienced with your product, claims must first be submitted to the Retailer where the appliance was purchased from who will offer immediate assistance or contact Eurostove on your behalf

Register online today to activate warranty: online. <http://www.mendipstoves.co.uk/SIT/StoveRegistration>

INSTALLATION MANUAL

CHURCHILL 5
CHURCHILL 5 CONVECTION
CHURCHILL 5 CONVECTION LOGSTORE

LOXTON 5
LOXTON 5 LOGSTORE

This manual refers to the stoves listed above, which are tested in accordance with EN 13240.

Thank you for purchasing your new stove from Mendip Stoves. Please read this manual carefully to ensure that you get maximum enjoyment and performance from your new stove and to prevent any potential operational problems. Please note that "all local regulations, including those referring to national and European Standards, need to be complied with when installing this appliance". For further information on installing and using fireplaces and wood burning stoves, please see the relevant building regulations.

These instructions cover the basic principals to ensure the satisfactory installation of your multi-fuel stove, although detail may need slight modification to suit particular local site conditions.

** The additional, rear convection panel (supplied loose within the stove) needs to be used when installing the stove 100mm from a combustible wall; this slots over the rear convection panel and provides additional radiant protection from the flue collar.

Le panneau de convection arrière supplémentaire (fourni séparément dans le poêle) doit être utilisé lors de l'installation du poêle à 100 mm d'un mur combustible; cette fente sur le panneau de convection arrière et fournit une protection radiante supplémentaire du collier.

HEALTH AND SAFETY PRECAUTIONS

INFORMATION FOR THE USER, INSTALLER AND SERVICE ENGINEER

Special care must be taken when installing a stove such that the requirements of the Health & Safety at Work Act are met.

Handling

Adequate facilities must be available for loading, unloading and site handling.

Fire Cement

Some types of fire cement are caustic and should not be allowed to come into contact with the skin. In case of contact wash immediately with plenty of water.

PREPARATORY WORK AND SAFETY CHECKS

IMPORTANT WARNING

This stove must not be installed into a chimney that serves any other heating appliance. There must not be an extractor fan fitted in the same room as the stove because this can cause the stove to emit fumes into the room.

Asbestos

This stove contains no asbestos. If there is a possibility of disturbing any asbestos in the course of installation then please seek specialist guidance and use appropriate protective equipment.

Metal Parts

When installing or servicing this stove care should be taken to avoid the possibility of personal injury.

CO Alarms:-

Building regulations require that whenever a new or replacement fixed solid fuel or wood/biomass appliance is installed in a dwelling a carbon monoxide alarm must be fitted in the same room as the appliance. Further guidance on the installation of the carbon monoxide alarm is available in BS EN 50292:2002 and from the alarm manufacturer's instructions.

Provision of an alarm must not be considered a substitute for either installing the appliance correctly or ensuring regular servicing and maintenance of the appliance and chimney system.

Stove paint Aerosols

Paint aerosols are flammable and therefore dangerous to use around a lit stove. Be sure to allow aerosols spray paints to dry and ventilate the room well before lighting the stove. The use of any aerosol around lit stove is dangerous and care must be taken in handling aerosols.

IMPORTANT:

These instructions cover the basic principles to ensure the satisfactory installation of Mendip Stoves product :- Woodland models, although detail may need slight modification to suit particular local site conditions.

In all cases the installation must comply with current Building Regulations, Local Authority Byelaws and other specifications or regulations as they affect the installation of the stove. It should be noted that the Building Regulations requirements may be met by adopting the relevant recommendations given in British Standards BS 8303, BS EN 15287 as an alternative means to achieve an equivalent level of performance to that obtained following the guidance given in Approved Document J.

FLUE & CHIMNEY CONNECTION TO STOVE

The outlet from the chimney should be above the roof of the building in accordance with the provisions of Building Regulations Approved Document J. If installation is into an existing chimney then it must be sound and have no cracks or other faults which might allow fumes into the house. Older properties, especially, may have chimney faults or the cross section may be too large .

Mendip Stoves recommend the use of a solid fuel flue lining system for all installation into existing chimneys. All chimney systems must be used in accordance with Building Regulations Approved Document J.

If an existing chimney is used the chimney must be clear of obstruction and be swept clean immediately before installation of the stove. The chimney should be tested to confirm the chimney will provide the correct chimney pressure for the stove. If the stove is fitted in place of an open fire the chimney should be swept one month after installation to clear any soot falls which may have occurred due to the difference in combustion between the stove and the open fire. If there is no existing chimney then either a prefabricated block chimney in accordance with Building Regulations Approved Document J or a twin walled insulated stainless steel flue to BS 1856-1 . These chimneys must be fitted in accordance with the manufacturer's instructions and Building Regulations. A single wall metal flue pipe is suitable for connecting the stove to the chimney but is not suitable for using for the complete chimney. The connecting flue pipe must have a minimum diameter of 125 mm and its dimension should be not less than the size of the outlet socket of the stove. Registered smoke exempt models burning wood only can be installed on flue of 125mm throughout. Any bend in the chimney or connecting flue pipe should not exceed 45°. 90° bends should not be used other than within 150mm of stove rear flue outlet.

A chimney height of 4.5 metres (or more) - measured vertically from the outlet of the stove to the top of the chimney - should provide a satisfactory draught. The flue should also not be horizontal for over 150mm without using **the calculation procedure given in BS5854:1980**; this calculation can be used as the basis for deciding whether a particular chimney design will provide sufficient draught.

Chimney Connection

In order for the stove to perform satisfactorily the chimney height must be sufficient to ensure an adequate draught to clear the products of combustion and prevent smoke problems into the room.

Tested Gas flow rates flue gas temperatures	Flue gas flow rate Wood /coal	Test flue gas temperature wood /coal	@ pascals of pressure
Churchill 5	5.4/7.1 g/sec	242/270deg C	12 pa
Loxton 5	5.4/7.1 g/sec	242/270deg C	12 pa

If it is found that there is excessive draught in the chimney then either an adjustable flue damper or alternately a draught stabiliser should be fitted. The adjustable flue damper should not close off the flue entirely but should in its closed position leave a minimum continuous opening free area of at least 20 % of the total cross sectional area of the flue or flue pipe. Adequate provision e.g. easily accessible soot door or doors must be provided for sweeping the chimney and connecting flue pipe.

Your appliance needs to be maintained routinely, the throat plate/baffle should be cleaned regularly (monthly) . The flue pipe can be cleaned using a flexible brush. Only Use a dry cloth on external surfaces. Over time the glass may become dirty, clean with a damp cloth and polish off with damp cloth. If the stove has not been used for some time the flue should be checked for blockages before use. Do not modify the appliance; only use spares authorised by the manufacturer.

STOVE PERFORMANCE & TESTING

Mendip Stoves, Churchill and Loxton 5kW models are tested in accordance with EN 13240.

	Output Wood Fuel	Efficiency	CO@13% O ₂	Suitable for DEFRA Smoke Control Zones	Output Coal Fuel	Efficiency	CO@13% O ₂
Churchill 5	5.0kW	81.1%	0.06	Yes / SE model	5.0kw	70%	0.17
Loxton 5	5.0kW	81.1%	0.06	Yes / SE model	5.0kw	70%	0.17

Weight & Nominal Heat Output for Wood and Smokeless Fuels

	Log Length	Wood Reload	Weight Wood Load	Coal Reload	Weight Coal (anth)
Churchill 5	35cm	1hr	1.2kg	2hr	1.5kg
Loxton 5	35cm	1hr	1.2kg	2hr	1.5kg

Minimum Distance to Combustible Materials

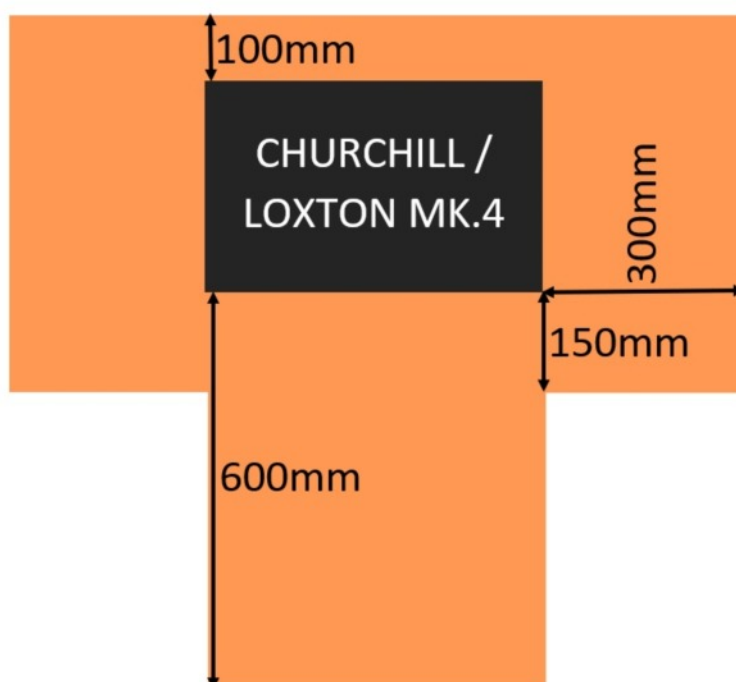
Combustible materials should not be located where the heat dissipating through the walls of fireplaces or flues could ignite it. Therefore when installing the stove in the presence of combustible materials due account must be taken of the guidance on the separation of combustible material given in Building Regulations Approved Document J and also in these stove instructions. The minimum distances to flammable materials are specified on the EN 13240 plate on the back of the stove.

When installing the stove 100mm from a combustible wall behind, use the additional, rear convection panel supplied with the stove, this slots over the rear convection panel providing additional radiant protection from the flue collar. A twin wall insulated flue should be fitted flush to flue collar for this type of installation.

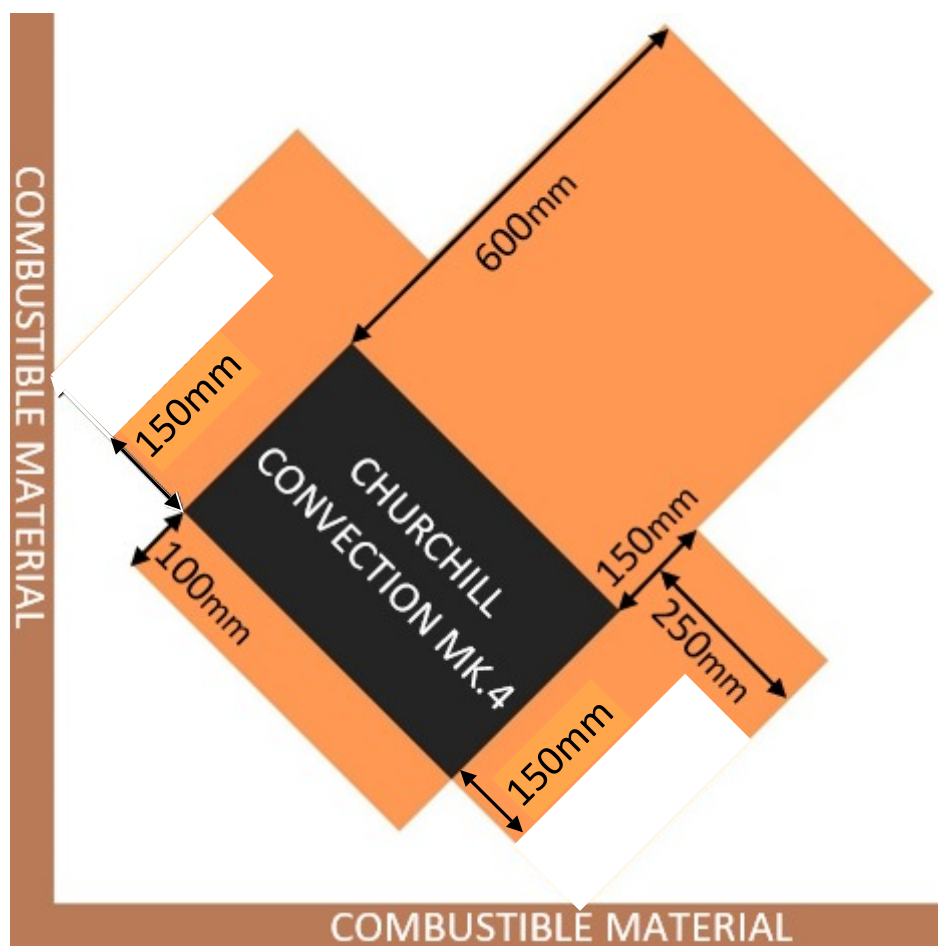
Stove Model	Minimum Distance to Combustible Materials			Suitable for 12mm non-combustible floor plate
	REAR	SIDES	FRONT	
Churchill 5	100mm	300mm	600mm	YES
Churchill 5 Convection	100mm	150mm	600mm	YES
Churchill 5 Convection Logstore	100mm	150mm	600mm	YES
Loxton 5	100mm	300mm	600mm	YES
Loxton 5 Logstore	100mm	300mm	600mm	YES

PLEASE NOTE THAT A MINIMUM DISTANCE OF 1350mm TO SOFT FURNISHINGS SHOULD ALWAYS BE MAINTAINED

A DIAGRAM TO ILLUSTRATE THE MINIMUM DISTANCE TO COMBUSTIBLE MATERIALS



INSTALLING THE CHURCHILL CONVECTION IN A CORNER POSITION



MINIMUM DISTANCE TO NON-COMBUSTIBLE MATERIALS

The stove can be recessed in a suitable sized non-combustible fireplace but a **permanent free air gap of at least 50mm** must be left around the sides, the top and the back of the stove; this is to facilitate a reasonable heat output and allows access to the stove for removal and maintenance. **A clearance of 100mm will give a better heat output.**

All non-combustible walls closer than 100mm to the stove should be at least 75mm thick. For practical reasons the back wall of the fireplace recess and the hearth should ideally be made of non-combustible material. When installing your stove in a non-combustible chamber, combustible materials should not be located where the heat dissipating through the walls of fireplaces or flues could ignite it. Therefore when installing the stove in the presence of combustible materials due account must be taken of the guidance on the separation of combustible material given in Building Regulations Approved Document J and also in these stove instructions. The minimum distances to flammable materials are specified on the EN 13240 plate on the back of the stove.

To ensure that the stove has sufficient air flow available to it during operation, please allow at least 40mm of clearance from the back of the air intake to the rear wall. This means that if you are installing your stove between 50mm and 100mm away from a non-combustible wall, it may be necessary to remove the intake spigot.

HEARTH

The hearth should be able to accommodate the weight of the stove and its chimney if the chimney is not independently supported. The Churchill and Loxton stoves have been tested and are suitable to be installed on a 12 mm non-combustible plate, such as 12 mm glass plates. Installation of all hearths should comply in size and construction so that it is in accordance with the provisions of the current Building Regulations Approved Document J.

The clearance distances to combustible material beneath, surrounding or on the hearth and walls adjacent to the hearth should comply with the guidance on the separation of combustible material given in Building Regulations Approved Document J and also in these stove instructions.

If the stove is to be installed on a wooden floor, it must be covered with a non-combustible material at least **12 mm thick**, in accordance with Building Regulations Approved Document J, to a distance of **30 cm in front of the stove** and **15 cm to each side** measuring from the door of the combustion chamber.

HOW TO FIT A LOXTON LOGSTORE



Remove the internal components of the stove and fill the chamber with material to prevent the bricks from falling. Additionally, prepare a soft elevated surface.



Tilt the stove onto its side to allow easy and safe access to the feet. Unscrew the levelling bolts at the foot of the stove leg.



Position the Logstore legs and use the levelling feet to secure them to the body of the stove. Use a spanner or a socket wrench to fully tighten.



Right the stove and see if the legs are in the correct position; they should be inline with the front legs of the Woodand / Loxton and have an even overhang where the legs meet the stove body. If not then loosen one leg at a time and adjust until satisfied.

COMBUSTION AIR

In order for the stove to perform efficiently and safely there should be an adequate air supply into the room in which the stove is installed to provide combustion air. This is particularly necessary if the room is double-glazed or a flue draught stabiliser is operating in the same room as the appliance. The provision of air supply to the stove must be in accordance with current Building Regulations Approved Document J. An opening window is not appropriate for this purpose. Air inlets must be positioned in such a way that they cannot be blocked. An air inlet may be a vent (the vent must be open and the capacity for the vent sufficient when the stove is lit) .

When the door is closed on a Churchill or Loxton stove, it will take all the necessary combustion air from a single 80mm port at the bottom, rear of the stove. It is possible to connect an 80mm pipe to this port, meaning that all the air required for combustion can be drawn in from outside, instead of from the room. Mendip Stoves still recommends the use of an air brick as laid out in Document J for when the stove is being reloaded.

SE Cleanheat- Smoke Exemption Modification

Smoke exempt (SE) models are factory fitted with an air stop on the air control slider: To adjust the smoke control settings, use an Allen key to adjust the fixing in the air intake (at the rear of the stove).

*The air control on the SE Model has a travel of 40mm
There is no additional stop fitted to these models.*

The SE fixing is designed to prevent the air supply of the stove from being completely shut off; this promotes complete combustion and therefore acts to decrease harmful pollutants as a result of incomplete combustion.

DO NOT OBSTRUCT THE AIR INTAKE

At least 40mm clearance should be left between the air intake and the wall



PERMANENT AIR VENT

The stove requires a permanent air vent to the room . This is to provide adequate air supply in order for the stove to operate safely and efficiently. In accordance with current Building Regulations the installer may have fitted a permanent air supply vent into the room in which the stove is installed to provide combustion air. This air vent should not under any circumstances be shut off or sealed.

COMBUSTION CHAMBERS

Mendip Stoves are fitted internally with vermiculite heat deflection panels and baffles, these panels are designed to ensure the maximum efficiency and are an integral part of the clean burn process of the stove. These baffles should not be removed other than for cleaning the stove. Any defective panels should be replaced, (small hairline cracks do not need replacement) however can develop during long term use to a larger crack, if this passes through the vermiculite to the stove body then the panel must be replaced. When refuelling your stove place the wood fuel into the chamber (wearing a glove), impact from logs can cause the heat deflection panel to crack.

Connection to chimney

Mendip Stoves are built with a top flue outlet as standard, this can be altered to a rear connection by removing the top collar, rear cover plate then exchanging collar and plate. Care should be taken to ensure an airtight fit when refitting collar and plate. A decorative cover plate is included in each stove to cover the hole in the convection top plate. This collar allows connection to either a masonry chimney or a prefabricated factory made insulated metal chimney.

COMMISSIONING AND HANDOVER

Ensure all loose parts (bricks and grates) are fitted in accordance with the instructions given in the instruction booklet. On completion of the installation allow a suitable period of time for any fire cement/silicon and mortar to cure, a small fire may be lit to check that smoke and fumes are taken from the stove up the chimney and emitted safely into the atmosphere.

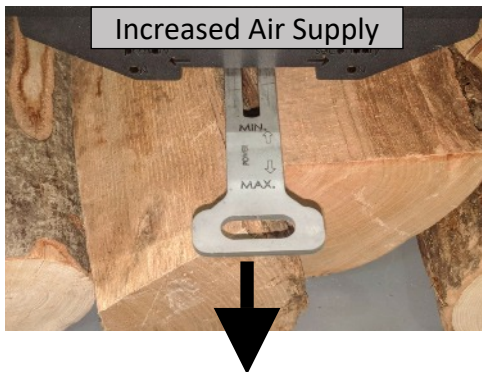
Do not run at full output for at least 24 hours after this appliance has been installed.

On completion of the installation and commissioning ensure that the operating instructions for the stove are left with the customer. Ensure to advise the customer on the correct use of the appliance with the fuels likely to be used in the stove and notify them to use only the recommended fuels for the stove. Advise the user what to do should smoke or fumes be emitted from the stove.

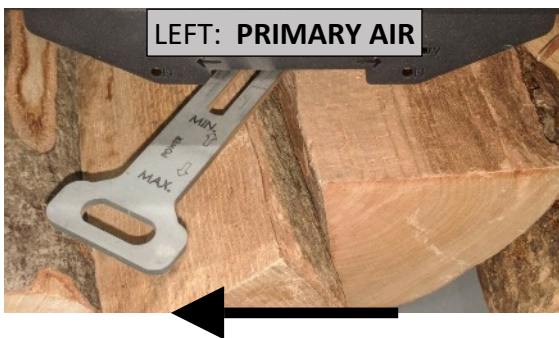
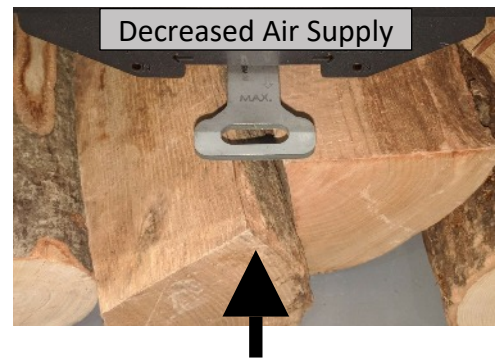
The customer should be warned to use a fireguard to BS 8423:2002 in the presence of children, aged and/or infirm persons

OPERATING YOUR STOVE - THE MK.4 AIR CONTROL LEVER

The Universal air controller provides air control for the whole stove from a single lever. The Lever has two key operations



Moving the control lever in and out
Sliding the control lever in reduces and out increases the total amount of combustion air in the stove.



Whatever position the control is set at, the lever can have either minimum combustion air or maximum combustion air.

Moving the control lever from left to right:
By moving the control lever to the left increases the primary air mix and moving to the right increases secondary air (airwash) mix.



LIGHTING YOUR STOVE FOR THE FIRST TIME

Before lighting your stove for first time make sure you have read this manual fully and acquainted yourself with the controls of this appliance.

Ensure that you have allowed sufficient time for the heat resistant sealant to cure.

The heat-resistant paint on your stove will cure and harden the first time you light your appliance.

The curing process produces a good deal of smoke and odour, it is therefore important that the first time you light your stove the room should be well ventilated.

During the process **it is important to open and close the stove door periodically** (every 30mins) during the first couple of firings therefore preventing the door seal cord around the door from sticking and coming away from the door. Once the heat-resistant paint has hardened the smell will disappear.

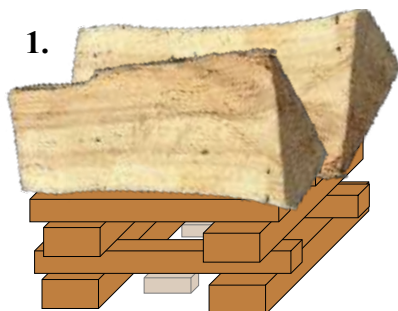
Your stove is NOT designed to be used with the door open, the stove door must be kept closed except when lighting the stove, adding firewood or removing ash in order to prevent flue gases from escaping.

Use of Fire lighters

Quality Firelighters should be used when lighting your stove. (Never use mentholated spirit, petrol or other flammable liquids). Lighting your stove with firelighters will be more reliable and easier than using paper. Lighting your fire with paper results in excess smoke, more ash and possible blackening of glass.

HOW TO LIGHT YOUR WOODBURNING STOVE

1.



Arrange your Kindling & Logs as shown

Note: If the chimney is externally fitted or the stove has been installed on a larger diameter clay chimney liner then on cold days it maybe necessary to warm the flue using firelighters prior to lighting with wood.

1. Place a few smaller pieces of dry wood (kindling) in the stove on top of the non toxic firelighters, place one or two small dry split logs ($\frac{1}{4}$ split) on top. Kindling stacked as in diagram allows combustion air flow freely and will aid ignition.

2.



Full Primary Air

2. Position the Universal Air Control (UAC) lever below the stove door so that is to the left and fully open (pulled out); this provides the stove with a mix of primary and secondary air to help establish the fire.

3. Light the firelighters and push door to closed position, latch in 1st position so the door is open 2 mm. (see picture) This provides additional combustion air for start up and reduces condensation on the door glass.

3.



Door Ajar to Aid Start-up

4. Once the flames from the logs are fully established, this can take up to 10 min's. The door can now be closed. Slide the UAC control in the middle position. If the stove flames begin to falter and generate smoke in chamber unlatch the door again until the fire is fully established.

5. Once the fire bed is established slide UAC control to the secondary position and push in slider by 50%, for the stove to burn cleanly plenty of secondary air is needed, do not be tempted to shut the fire down too early as this may cause smoke. At nominal heat output, expect to refuel your stove approximately once an hour. Check load weights for your model on the table on page 6.

Use the glove when operating air controls and door.

4.



Full Air Supply in Central Position



Reduced Air Supply in Secondary Position

The stove will get very hot during use, therefore due care must be exercised. Please use the glove when operating air controls, door and ash pan.

WOOD FUEL

Good quality wood is the most important factor in your stove working efficiently and cleanly. Always use dry split hardwood firewood (moisture content of 20% or less). The dryness of the firewood plays an important role because the use of wet wood results in poor fuel economy and may cause a tarry sooty film on the internals of the stove.

Newly cut wood contains 60–70% water, making it totally unsuitable for use as firewood; it should be stacked and air dried under cover for two years before being used as firewood.

Do not burn liquid fuels, drift wood, finished, sawn wood, pallet wood, chipboard/plywood, varnished wood or plastic coated wood, wood treated with preservatives, or house hold waste.

WARNING NOTE

Properly installed, operated and maintained this stove will not emit fumes into the dwelling. Occasional fumes from de-ashing and re-fuelling may occur. However, persistent fume emission is potentially dangerous and must not be tolerated. If fume emission does persist, then the following immediate action should be taken:-

- (a) Open doors and windows to ventilate the room and then leave the premises.
- (b) Let the fire go out.
- (c) Check for flue or chimney blockage and clean if required
- (d) Do not attempt to relight the fire until the cause of the fume emission has been identified and corrected. If necessary seek expert advice.

The most common cause of fume emission is flue way or chimney blockage. For your own safety these must be kept clean at all times.

CO Alarm

Your installer should have fitted a CO alarm in the same room as the appliance. If the alarm sounds unexpectedly, follow the instructions given under "Warning Note" above.

Aerosols

Aerosols are flammable and therefore dangerous to use around a lit stove. Do not use aerosols sprays near your lit stove. The use of any aerosol is dangerous and care must be take in handling aerosols.

OPERATING YOUR STOVE

Suitable fuels:- Your stove is tested to burn wood or registered smokeless coal. Wood briquettes can also be burnt but special account should be taken of fuel weight. For a full list of suitable fuels, check with the official solid fuels approvals body, HETAS or Solid Fuel Association. Do not overload stove as this can cause excessive heat and damage the stove (see table on page 6).

ALWAYS KEEP FUEL LOAD BELOW TERTIARY PORTS AT REAR OF STOVE. Only use fuels approved for use on heating stoves Do not burn liquid fuels, drift wood, finished wood, sawn wood, pallet wood, chipboard/plywood ,varnished wood or plastic coated wood, wood treated with preservatives, or any house hold waste.

DO NOT EXCEED SPECIFIED FUEL WEIGHTS (SEE pg.6).

DO NOT RUN AT FULL OUTPUT FOR EXTENDED PERIODS OF TIME.

DO NOT BURN HOUSE COAL. DO NOT BURN HOUSEHOLD WASTE.

THIS APPLIANCE IS NOT AN INCINERATOR.

MENDIP STOVES RECOMMEND THE USE OF A FLUE THERMOSTAT TO CHECK YOUR STOVE IS NOT OVERHEATING. PLACE FLUE THERMOSTAT DIRECTLY ABOVE COLLAR OF STOVE AND REFER TO TEMPERATURE GAUGE ON PAGE 5.

HETAS LTD APPROVAL

These appliances have been approved by HETAS Ltd as an intermittent operating appliance for burning both wood and smokeless fuels only.

HETAS recommended fuels:

Please note that HETAS Ltd Appliance Approval only covers the use of wood logs and approved smokeless fuels on this appliance. HETAS Ltd Approval does not cover the use of other fuels either alone or mixed with the recommended fuels listed above, nor does it cover instructions for the use of other fuels.

RE-FUELLING WHEN BURNING WOOD

Adding fuel to your stove when you **only have glowing embers**, and the flames have died down, is the cleanest way to refuel your stove.

1. Before refuelling, open the Universal Air Control (UAC) fully and slide to the central position.
2. Unlatch the door to equalise the pressure inside the stove with that of the room.
3. Then, open the door gently.
4. If it is necessary, use a poker to create a level bed before adding a piece of wood below the level of the tertiary air ports (please check weight table page 6).
5. Now, close the door.
6. Once the flames are fully established, slide the UAC lever to the right (secondary air / airwash) and half way in (50% air supply).

Please regard these instructions as guidelines because each installation will be slightly different. Experience will determine the settings that produce best results.

To prevent overheating your appliance we recommend that you use a flue thermostat (placed on a non insulated section of pipe directly above the collar of the stove).

The efficient operating temperature range is between 180°C and 250°C

These stoves are not designed to run overnight or for long periods unattended (see pg.14)

INCOMPLETE COMBUSTION

Incomplete combustion may lead to a build-up of hard, shiny soot on the inside of your stove and glass. It is generally the results of an insufficient air supply to the combustion chamber. If you find that this build-up is occurring to your Mendip Stove, you should:

1. Increase the amount of secondary air used when running the stove,
2. Check that the fuel you use is suitable and dry (less than 20% moisture content).
3. Check that your flue system (chimney) is producing sufficient draught.

It is important to check the draft conditions before lighting your stove. This may be done, for instance, by crumpling a piece of newspaper, placing it in the combustion chamber and lighting it. The draft conditions are good if the smoke is drawn away through the chimney.

TROUBLE SHOOTING

1. Fire Will Not Burn - check

- a) the air inlet is not obstructed in any way,
- b) that chimney and flue ways are clear,
- c) that a suitable fuel is being used,
- d) that there is an adequate air supply into the room,
- e) that an extractor fan is not fitted in the same room as the fire.

2. Fire Blazing Out Of Control - check

- a) the doors are tightly closed,
- b) the air controls are turned down to the minimum setting,
- c) the flue damper is closed (if fitted),
- d) a suitable fuel is being used,
- e) the door seals are in good condition.
- f) the chimney draft may be too strong
- g) check ash pan seal and
- h) check for ash below ash pan causing pan to seat incorrectly and clean out.

3. Soot forms on the window

- a) The firewood may be too wet
- b) the intake of secondary air may be insufficient
- c) fire not hot enough

4. The stove fails to heat fully

- a) The firewood may be too wet
- b) the intake of secondary air may be insufficient

5. Smoke or odour

- a) weak chimney draft
- b) check for blockages in the flue pipe/chimney
- c) check the height of the chimney relative to the surroundings

6. Soot in the chimney

- a) The firewood may be too wet
- b) intake of secondary air may be insufficient

LIGHTING THE STOVE - SOLID FUELS

SOLID SMOKELESS FUELS-

The Woodland model is suitable for use with good quality smokeless fuels and has been fully tested to the relevant European standard. Only use registered smokeless fuels on this stove. Take special note of load quantities (page 6).

Note: on cold days it maybe necessary to warm the flue using two firelighters.

1. Place Firelighters and a few smaller pieces of dry wood (kindling) among a small quantity of fuel in the combustion chamber.
2. Fully open (pull out) the Universal Air Control (UAC) and slide it to the left (primary) position; this means that your stove is now has total primary air for start up.
3. Using a long match to light the firelighters and securely close door.
4. Once the fire is established, open the door and add a full load of fuel (see weight table on page 3)
Do Not Overload. Do not cover the tertiary air ports.
5. Close fire door and adjust the UAC so that is still to the left (primary air) but that it is now 80% open.
6. Once the additional fuel is burning, adjust the UAC to alter the amount of primary air entering the combustion chamber to your personal preference.

Please regard these instructions as guidelines because each installation will be slightly different. Experience will determine the settings that produce best results.

To prevent overheating your appliance we recommend that you use a flue thermostat (placed on a non insulated section of pipe directly above the collar of the stove).

The efficient operating temperature range is between 180°C and 250°C

These stoves are not designed to run overnight or for long periods unattended (see "Overnight Burning")

To Re-fuel Your Stove Using Solid Fuel:

1. Your stove will need to be refueled approximately every hour (see page 6.)
2. Before refueling, open the UAC control to full primary air.
3. Then slowly open door to allow the pressure to equalize between the inside of the stove and the room.
4. Once the door has been opened, de -ash your stove with use of poker (not provided).
5. Add fuel (see weight table on page 6), ensuring the fuel is placed below the level of the tertiary air ports.
6. Finally, close the door and when then fire has re-established reduce the air supply using the UAC to your preferred settings.

PLEASE USE A HEAT RESISTANT GLOVE WHEN OPERATING THE AIR CONTROLS, DOOR AND ASH PAN, AS THE APPLIANCE WILL BECOME VERY HOT.

HOUSE COAL AND PETROLEUM COKE ARE NOT SUITABLE FOR USE ON THIS STOVE; ITS USE WILL INVALIDATE THE GUARANTEE.

OVERNIGHT BURNING

Mendip Stoves do not recommend burning registered smokeless coal in a slumbering position, Mendip stoves are designed to burn wood and quality registered smokeless fuels. Wood burns more efficiently and cleanly if it is burnt hotter. Mendip stoves do not recommend that their stoves are burnt overnight for this reason.

As a night time regime we recommend that the fire is loaded when hot and burnt for five minutes with the secondary air control fully open, until the new wood has taken and is burning, Then place the UAC to its operational position (50% Secondary Air). On returning to the stove in the morning the fire will have burn out, reload with some paper (or a firelighter) and some kindling, Fully open the UAC to the central position and relight quickly. **Beware as the ash bed will have hot embers.**

MAINTENANCE

Mendip stoves recommends that your model needs to have the ash removed from the stove at regular intervals (weekly if used daily). Allowing the ash pan to over flow can impede the function of the stove and can cause possible damage to the stove grate and ash pan. To remove ash pan use heat protecting glove provided. Lift and pull out of firebox chamber. Take care to support ash pan during movement. Make sure the stove is completely cold before cleaning out ash (embers can remain hot for over 24 hours).

Ash must be stored in a non-combustible container and must not be mixed with other combustible waste.

Annual service

The stove should be serviced by a registered dealer once a year. The stove, the flue pipe connection and the chimney should be checked regularly by a qualified engineer. The chimney should also be checked for blockages before relighting the stove if it has not been used for an extended period of time. Insulating fire bricks checked for wear and replaced if necessary door and ashpan rope seals should be changed annually, glass clamps & glass should be checked making sure glass is correctly positioned.

To clean the inside the stove, remove all ash, soot and tar residue from the combustion chamber. Remove insulated chamber panels and baffle, dirt and soot will collect behind it and this must be cleaned out. The paint/ lacquer can wear thin in exposed places due to overheating. This, and other lacquer damage, may be repaired using Senotherm paint/lacquer spray available from your Mendip dealer. To clean the outside of the stove use a dry cloth.

Your stove should be serviced annually by a registered dealer as a condition of the extended warranty of the stove, failure to maintain a service record will invalidate the extended warranty on your stove.

Prolonged non use (summer)

If the stove is to be left unused for a prolonged period of time (e.g. over the summer) then it should be given a thorough clean to remove ash and unburned fuel residues. To enable a good flow of air through the appliance to reduce condensation and subsequent damage, leave the air controls fully open.

It is important that the flue connection, any appliance baffles or throat plates and the chimney are swept prior to lighting up after a prolonged shutdown period.

Spare parts & unauthorised alterations

Only the manufacturer's own components, or replacement parts recommended and approved by Mendip stoves, shall be used for appliance servicing and repair. Any unauthorised alterations will invalidate the stove warranty and compliance with EN13240.

SWEEPING YOUR CHIMNEY & CHIMNEY FIRES

Ensure that your appliance, flue ways and chimney are swept regularly. This can be incorporated in the service regime of your appliance. Regular sweeping is essential and means at least once a year for smokeless fuels and a minimum of twice a year for wood. If a throat plate is incorporated, it is essential that the throat plate is removed and cleaned above, all ash and debris should be removed. Ensure adequate access to cleaning doors where it is not possible to sweep the chimney through the appliance.

Where a chimney has served an open fire installation previously it is possible that the higher flue gas temperature from a closed appliance may loosen deposits that were previously firmly adhered, with the consequent risk of flue blockage. It is therefore recommended that the chimney be swept a second time within a month of regular use after installation of the stove.

Chimney Fires

If the chimney is thoroughly and regularly swept, chimney fires should not occur. However, if a chimney fire does occur turn the air control setting to the minimum, and tightly close the doors of the stove. This should cause the chimney fire to go out in which case the control should be kept at the minimum setting until the fire in the stove has gone out. The chimney and flue ways should then be cleaned. If the chimney fire does not go out when the above action is taken then the fire brigade should be called immediately.

After a chimney fire the chimney should be carefully examined for any damage. Expert advice should be sought if necessary

BURNING WOOD IN A SMOKE CONTROL AREA

You must purchase a smoke exempt version of a Mendip Stove; this will be modified slightly to comply with regulations. Any alteration to this modification will invalidate the stoves compliance for smoke control areas.

The Clean Air Act 1993 and Smoke Control Areas

Under the Clean Air Act local authorities may declare the whole or part of the district of the authority to be a smoke control area. It is an offence to emit smoke from a chimney of a building, from a furnace or from any fixed boiler if located in a designated smoke control area. It is also an offence to acquire an "unauthorised fuel" for use within a smoke control area unless it is used in an "exempt" appliance ("exempted" from the controls which generally apply in the smoke control area).

In England appliances are exempted by publication on a list by the Secretary of State in accordance with changes made to sections 20 and 21 of the Clean Air Act 1993 by section 15 of the Deregulation Act 2015. Similarly in Scotland appliances are exempted by publication on a list by Scottish Ministers under section 50 of the Regulatory Reform (Scotland) Act 2014. In Wales and Northern Ireland these are authorised by regulations made by Welsh Ministers and by the Department of the Environment respectively.

Further information on the requirements of the Clean Air Act can be found here:

<https://www.gov.uk/smoke-control-area-rules>

Your local authority is responsible for implementing the Clean Air Act 1993 including designation and supervision of smoke control areas and you can contact them for details of Clean Air Act requirements.

The Churchill 5 Mk.4 SE and the Loxton 5 Mk.4 SE multifuel stoves have been recommended as suitable for use in smoke control areas when burning wood logs. The appliances can also burn authorised fuels in smoke control areas.

More information regarding authorised fuels can be found at <http://smokecontrol.defra.gov.uk/fuels.php>.

The SE appliances need no modification to the air control, **alterations should not be attempted**. Mendip Stoves smoke control stoves should not be burnt with the door left open.

The refuelling procedure :

Allow the newly charged fuel to burn with the secondary air control set at maximum for up 3 to 4 minutes. After this period, with flames from the logs fully established, close the secondary air supply to the low output setting. When operating at high output (secondary air set fully open) the new refuel charge does not require any boost air to establish combustion.

Refuelling on to a low fire bed

If there is insufficient burning material in the fire bed to light a new fuel charge, excessive smoke emission can occur. Refuelling must be carried out onto a sufficient quantity of glowing embers and ash that the new fuel charge will ignite in a reasonable period. If there are too few embers in the fire bed, add suitable kindling to prevent excessive smoke.

Fuel Overloading

The maximum amount of fuel specified in this manual should not be exceeded, overloading can cause excess smoke.

Air controls & doors left open

Operation with the air controls fully open can cause excess smoke. The appliance must not be operated with air controls, appliance dampeners or the door left open except as direct in the instructions.

STOVE PARTS, COMBUSTION CHAMBER, ASSEMBLY PIÈCES DÉTACHÉES, VUE ÉCLATÉES

"This section shows the parts contained in your stove, each stove has over 80 spare-parts and, each part is detailed. When new parts are required the section will allow spares to be recognised and ordered. As a further source of reference please visit www.eurostove.co.uk for latest spare-part information.

Cette section montre les pièces contenues dans votre poêle, chaque poêle a plus de 80 pièces de rechange et, chaque élément est détaillée. Lorsque de nouvelles pièces doivent la section permettra aux pièces de rechange d'être reconnus et ordonné. Comme autre source de refernece s'il vous plaît visiter pour www.eurostove.co.uk dernières informations pièce de rechange.

LOOSE PARTS / PIÈCES DÉTACHÉES

Always use the operating tools provided when handling parts likely to be hot when the stove is in use. Your stove has the following parts in the stove.

1) Cast Iron grate & log retainer . 2) Ashpan 3) Stove Glove 4) Top plate decorative cover plate. 5) Instruction manual & warranty card 6)Vermiculite brick linings (these are integral to the stoves performance-Do not throw away) 7)Moisture absorbency bag

1. Grille en fonte et arrêt de bûches . 3. Bac à cendre 4. Gant
5. Plaque de décor 6. Guide d'utilisation et bon de garantie.
7. Briques réfractaires, elles font partie intégrante du poêle, ne pas jeter. 8. Sac absorbant d'humidité

Toujours utiliser les outils prévus pour manipuler les pièces susceptibles d'être chaudes lorsque le poêle est en cours d'utilisation. Votre poêle comprend les éléments suivants dans le poêle.



COMBUSTION CHAMBER CHAMBRE DE COMBUSTION INTÉRIEUR



Secondary air /air wash
Aire secondaire

Tertiary Air
Alimentation de l'air tertiaire

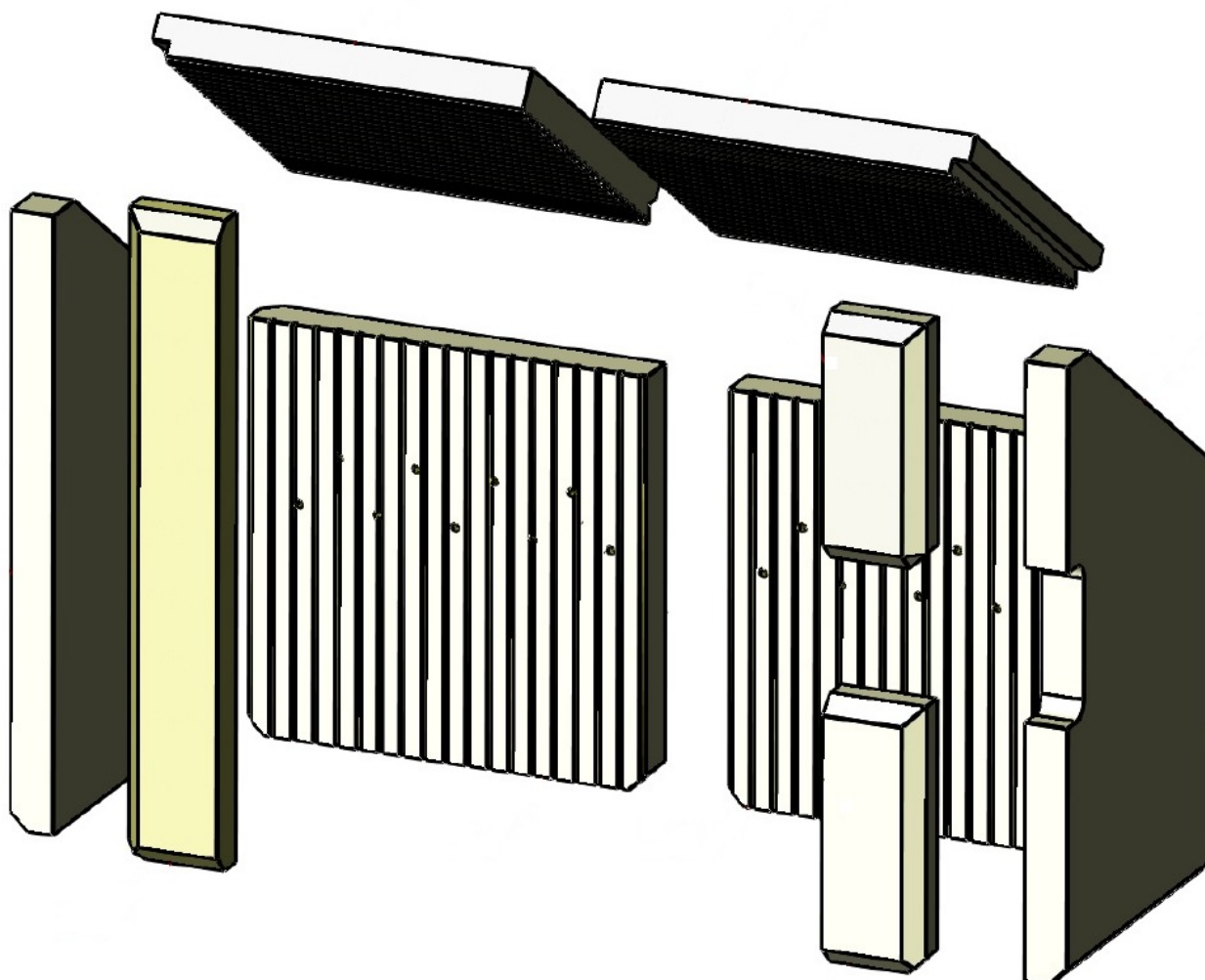
Vermiculite brick set
Jeu de plaques vermiculites

Cast iron grate
Grille en fonte

Log retainer
Arrêt de bûches

Ash pan with handle
Bac à cendre avec jointe

CHURCHILL / LOXTON 5 MK.4 COMBUSTION CHAMBER
CHURCHILL / LOXTON 5 MK.4 CHAMBRE DE COMBUSTION



VERMICULITE BRICKS REFERENCE TABLE
TABLE DE REFERENCE DES BRICKS DE VERMICULITE

CODE	DESCRIPTION	PARTS / LES PIÈCES
M90028-02-00-99-03	Full Brick Set - CHU/LOX 5 Mk.4	9
M90028-02-23-99-03	Rear Brick Pair	2
M90028-02-24-99-03	Side Brick Set (Inc. 3 x front bricks)	5
M90028-02-26-99-01	Baffle Brick Pair	2

To find out more details, as well as to get prices and availability of these parts, please visit:
www.eurostove.co.uk/mp-lox-chu-5-mk4-spare-bricks

HOW TO REMOVE THE WOODBURNERS INTERNAL PARTS MONTAGE ET DÉMONTAGE DE L'INTÉRIEUR



To remove the vermiculite brick set take the following steps:

Remove both of the vermiculite baffle bricks by lifting and tilting each brick in turn.



To create more room to remove the first brick, lift up the adjacent baffle and rest a larger amount on the side brick.



It is now possible to remove both side bricks;

You may find it easier to remove the cast iron grate before removing the side bricks.

Finally, remove both rear bricks.



To remove upper steel baffles/ turbulence plates

Firstly lift the upper, ribbed, turbulence plate, slide forwards towards the front of the stove.

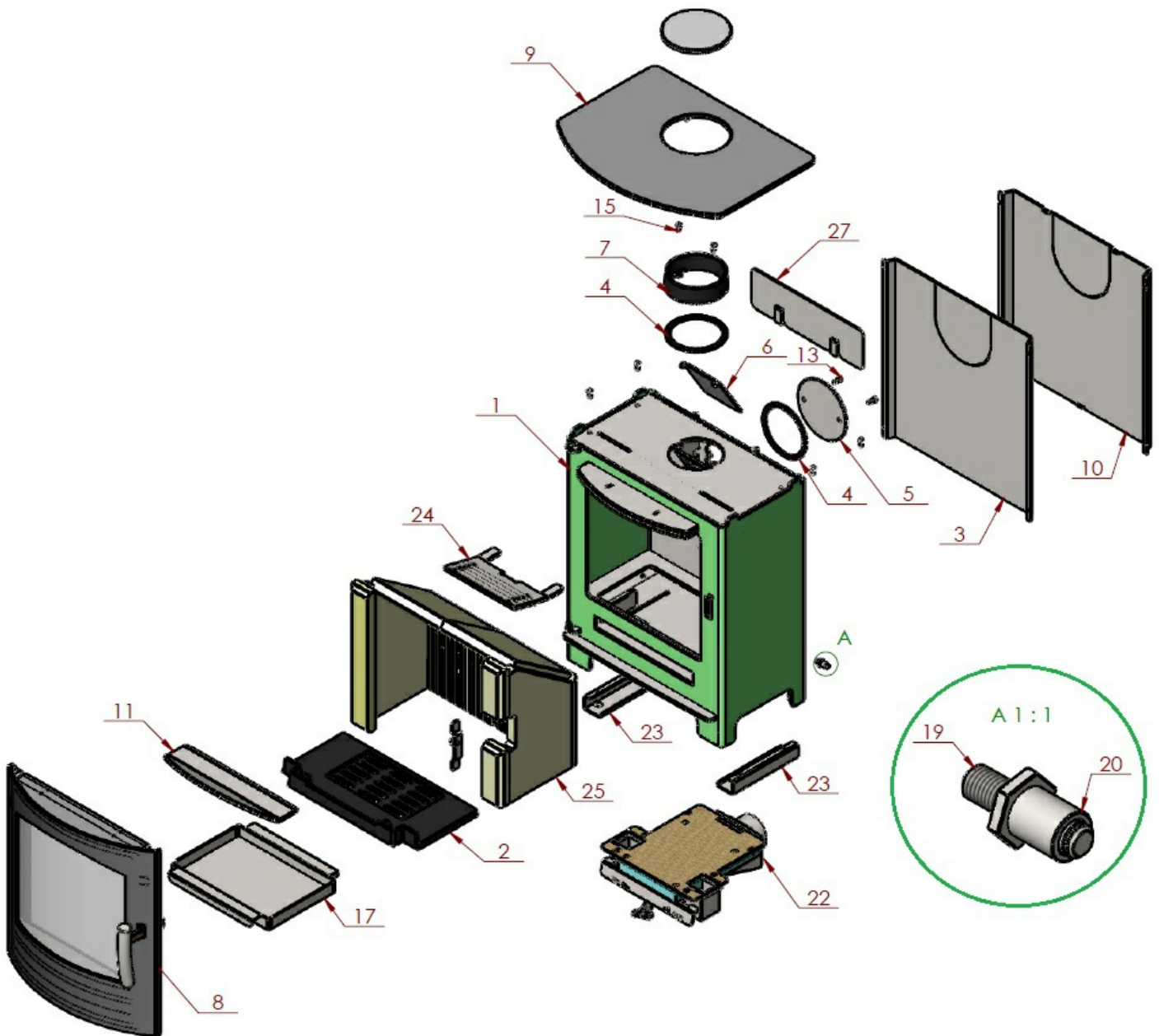
This will create enough space to allow the plate drop down so that the baffle can be removed.



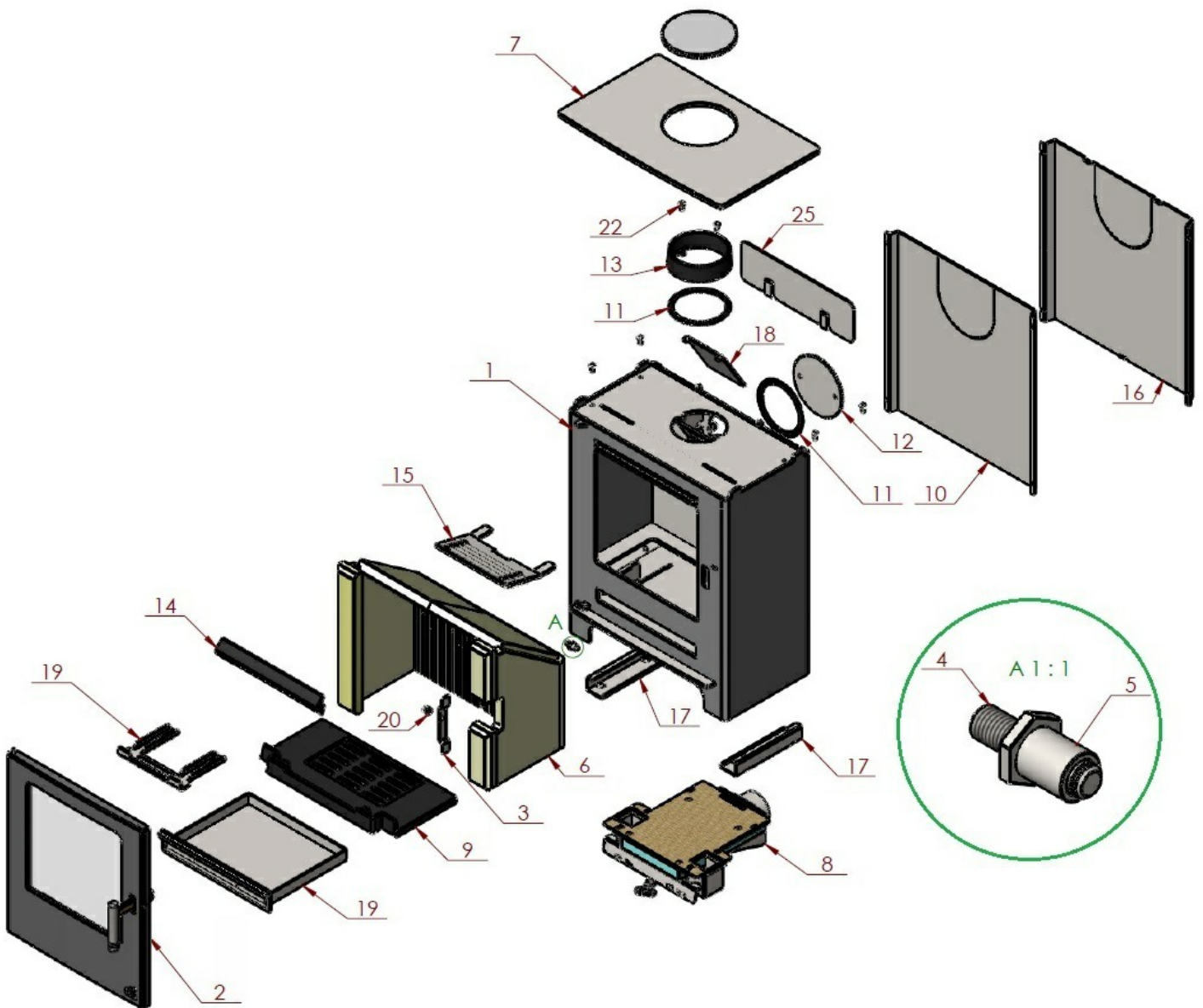
To remove rear steel baffle is Simply push this away from the holding frame, which it rests on, and twist it to fit through the opening.

You now have access to the flue system, whether the collar is situated on the top or to the rear of your stove.



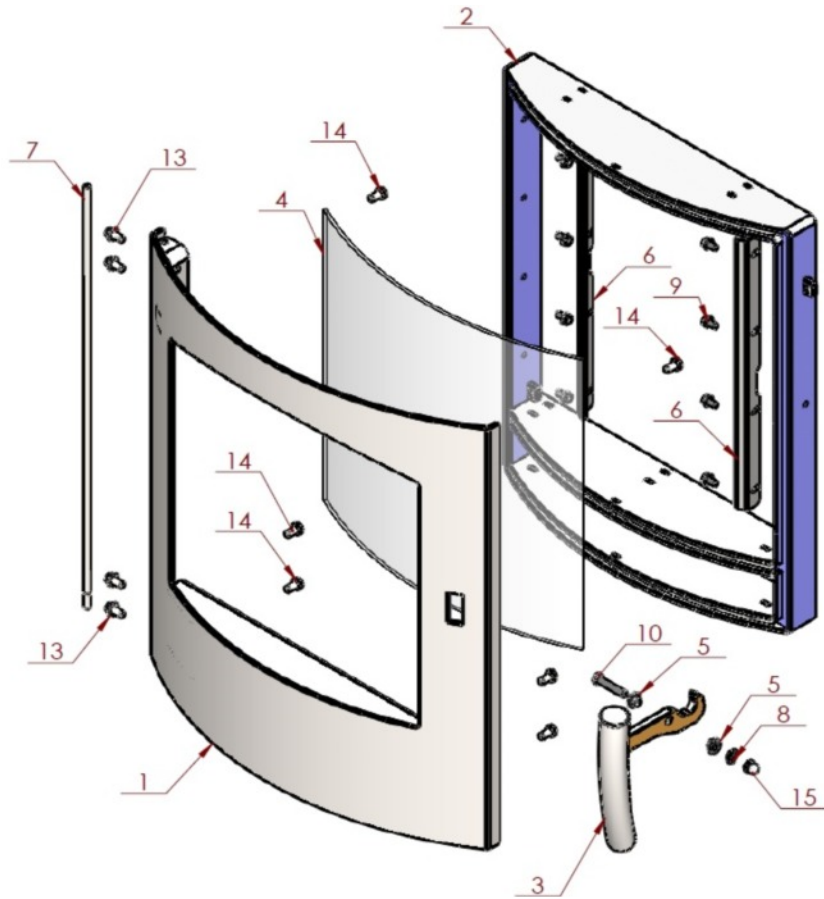


To find out more details, as well as to get prices and availability of these parts, please visit:
www.eurostove.co.uk/mp-chu-5-mk4-spare-parts

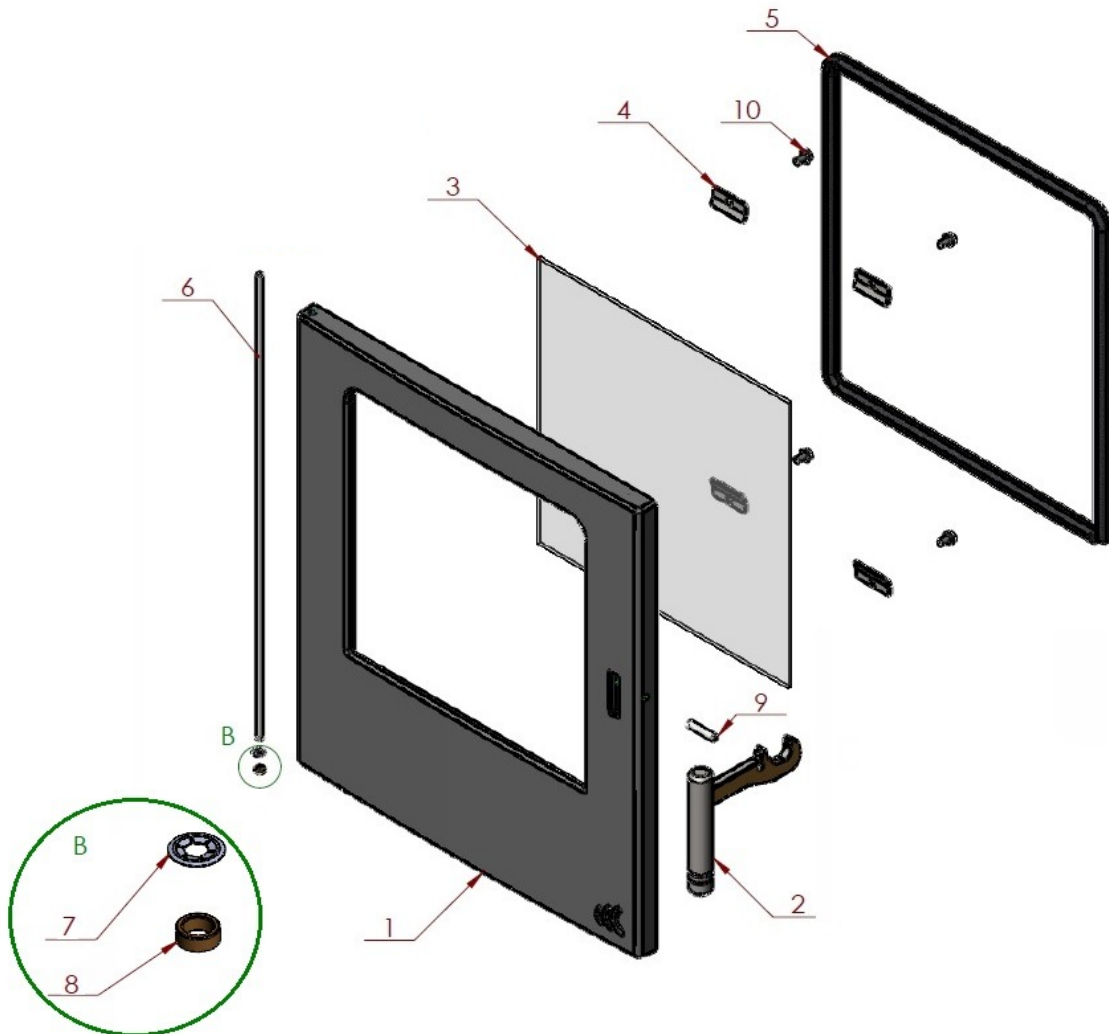


To find out more details, as well as to get prices and availability of these parts, please visit:
www.eurostove.co.uk/mp-lox-5-mk4-spare-parts

CHURCHILL 5 MK.4 DOOR ASSEMBLY / ECLATE DE PORTE



LOXTON 5 MK.4 DOOR ASSEMBLY / ECLATE DE PORTE





Guide d'utilisation et Mode d'Emploi



Churchill 5 Mk.4

Loxton 5 Mk.4

Ce manuel se réfère aux poêles énumérés ci-dessus. Ils ont été testés conformément à la norme EN 13240.

Nous vous remercions d'avoir choisi un nouveau poêle de Mendip Stoves et nous sommes certains que vous en serez enchantés.

Lisez ces instructions, elles relatent les principes de base pour assurer l'installation satisfaisante de votre poêle, même si pour répondre à des conditions particulières locales, de légères modifications peuvent intervenir

Modèle de Poêle	Hauteur (mm)	Largueur (mm)	Profondeur (mm)	Poids (kg)
Churchill 5 Mk.4	632	510	399	71
Churchill Convection 5 Mk.4	632	554	399	82
Churchill 5 Range-bûche de Convection Mk.4	821	554	399	87
Loxton 5 Mk.4	632	510	327	71
Loxton 5 Range-bûche Mk.4	790	510	327	82

CONSIGNES GENERALES DE SANTE ET DE SECURITE

INFORMATIONS DESTINEES A L'UTILISATEUR, A L'INSTALLATEUR ET A L'INGENIEUR DE SERVICE

Lors de l'installation du poêle, vous devez vous assurer de la conformité aux lois sur la santé et la sécurité au travail.

Manutention

Des installations et équipements adéquats doivent être disponibles pour les chargements, déchargements et manœuvres sur le site.

TRAVAIL PREPARATOIRE ET CONTROLES DE SECURITE

Pièces en métal

Prenez toutes les précautions nécessaires lors de l'installation ou de l'entretien de ce poêle pour éviter les blessures.

AVERTISSEMENT IMPORTANT

Ce poêle ne doit pas être installé dans une cheminée servant à d'autres appareils de chauffage. La pièce où est placé le poêle ne doit pas être équipée d'un dispositif d'extraction (VMC par exemple) car ceci pourrait provoquer des fumées en provenance du poêle.

Poêle peinture aérosols

Aérosols de peinture sont inflammables et donc dangereux lors de l'utilisation autour d'un poêle en fonctionnement. Il faut permettre au peinture de sécher et aérer la pièce avant l'allumage de l'appareil

Ciment réfractaire

Certains types de ciments réfractaires sont caustiques et ne doivent pas entrer en contact avec la peau. Après tout contact avec les yeux, laver immédiatement et abondamment à l'eau.

Amiante

Ce poêle ne contient pas d'amiante. Si l'installation exige une manipulation d'amiante, contactez un spécialiste et utilisez l'équipement de protection adapté.

Ces instructions concernent les principes fondamentaux de bonne installation des poêles multi combustibles Mendip Stove.

Toutefois, l'installation doit répondre à la législation en vigueur et aux autres spécifications ou réglementations affectant l'installation du poêle.

CHEMINÉE ET RACCORDEMENT AU POÊLE À BOIS

La sortie de la cheminée doit être au-dessus du toit de l'habitation en conformité avec les dispositions du Règlement local en France. Si l'installation est dans une cheminée existante, alors le conduit existant doit être solide et ne pas avoir de fissure ou autres défaut qui pourraient faciliter la diffusion des fumées dans l'habitat. Les habitations très anciennes peuvent présenter des défauts de conduit ou des sections transversales trop importantes, c'est à-dire, plus de 160 mm x 160 mm.

La société Mendip Stoves conseille l'utilisation d'un système de conduit de fumée de combustibles solides pour l'installation dans des cheminées existantes. Tous les systèmes de cheminée doivent être utilisés conformément au Règlement de construction approuvé. Si une cheminée existante est utilisée, la cheminée doit être exempte de toute obstruction et doit être nettoyée immédiatement avant l'installation du poêle. La cheminée doit être testée pour vérifier la dépression nécessaire au bon fonctionnement du poêle. Si le poêle est installé à la place d'un feu ouvert, la cheminée doit être ramonée un mois après l'installation afin d'éliminer toute suie existante liée à une combustion différente poêle-cheminée.

S'il n'y a pas de cheminée existante, soit une cheminée de blocs préfabriqués en conformité avec des règles de construction ou un jumeau murée isolée conduit inox BS 1856-1 alors ces cheminées doivent être installées conformément aux instructions du fabricant et des règles de construction. Un tubage de cheminée métallique à paroi simple est adapté pour le raccordement du poêle à la cheminée mais ne convient pas pour l'utilisation de la cheminée complète. La cheminée et le conduit de fumée de liaison doivent avoir un diamètre minimal de 125 mm et sa dimension ne doit pas être inférieure à la taille de la buse de sortie du poêle à bois. Tout coude dans la cheminée ou le tuyau de raccordement du conduit de fumée ne doit pas dépasser 45°.

Les coudes de 90° ne doivent pas être utilisés autrement que dans les 150 mm de sortie de la cheminée de l'arrière du poêle.

Cheminée & Tirage

Pour faire fonctionner le poêle de façon satisfaisante la hauteur de la cheminée doit être suffisante pour assurer un tirage adéquat pour effacer les produits de combustion et de prévenir les problèmes de fumée dans la pièce.

Les résultats des tests pour des débits et des températures d'émission	Combustion taux – bois/charbon	Température de fumée bois/charbon	@ Aspirartion Pa
Churchill 5	5.4/7.1 g/sec	242/270deg C	12 pa
Loxton 5	5.4/7.1 g/sec	242/270deg C	12 pa

Une cheminée de 4 m 50, mesurée verticalement à partir de la sortie de la buse du poêle à la partie supérieure de la cheminée doit être satisfaisante. Sinon la procédure de calcul donnée dans la norme BS 5854: 1980 peut être utilisée comme base pour décider si la conception de cheminée fournira suffisamment de tirage.

Si l'on constate qu'il y a un tirage excessif dans la cheminée alors on peut effectuer un réglage de fumée manuel ou installer un stabilisateur de tirage. Le réglage de la cheminée ajustable ne doit pas fermer la fumée entièrement mais devrait dans sa position fermée quitter une zone continue minimale d'ouverture libre d'au moins 20% de la superficie totale de la section transversale du conduit de cheminée ou ventouse. Une trappe de ramonage doit être prévue et accessible pour faciliter le ramonage de la cheminée et du conduit de raccordement. Votre appareil doit être entretenu régulièrement, le déflecteur doit être nettoyé régulièrement (tous les mois). Le conduit de fumée peut être nettoyé avec une brosse souple. Utilisez uniquement un chiffon sec sur les surfaces externes. Au fil du temps le verre peut devenir sale, nettoyez avec un chiffon humide et polir avec un chiffon humide. Si le poêle n'a pas été utilisé pendant un certain temps le conduit de fumée doit être vérifié pour éviter tout blocage avant utilisation. Ne pas modifier l'appareil ; utilisez uniquement des pièces de rechange autorisées par le fabricant.

INDICES DE PERFORMANCE ET RÉSULTAT DES TESTS

Poêles à bois sont conforme au standard EN 13240.

	Puissance bois	Rendement	CO@13% O ₂	Puissance charbon	Rendement	CO@13% O ₂
Churchill 5	5.0kW	81.1%	0.06	5.0kw	70%	0.17
Loxton 5	5.0kW	81.1%	0.06	5.0kw	70%	0.17

Max longueur de bûche, Quantité et la fréquence de recharge.

	Bûches	Temps de Recharge bois %/hr	Recharge de bois	Temps de Recharge charbon %/hr	Recharge de charbon
Churchill 5	35cm	1hr	1.2kg	2hr	1.5kg
Loxton 5	35cm	1hr	1.2kg	2hr	1.5kg

DISTANCE MINIMUM AUX MATIÈRES INFLAMMABLES

Les matériaux combustibles ne doivent pas être situés à proximité de la diffusion de la chaleur à travers les parois des poêles ou cheminées ; ils pourraient s'enflammer. Par conséquent lors de l'installation du poêle, il faut respecter les distances de sécurité données dans le Règlement de construction local mais aussi dans les instructions du poêle établies à la suite de tests. Les distances minimum des matériaux inflammables sont indiquées sur la plaque EN 13240 au dos du poêle à bois.

MODELE POELE	DISTANCE MINIMUM AU MATÉRIEL COMBUSTIBLE			Convenable plaque de plancher
	ARRIÈRE	CÔTÉS	DE FACE	
Churchill 5 Mk.4	100mm	300mm	600mm	OUI
Churchill Convection 5 Mk.4	100mm	150mm	600mm	OUI
Churchill 5 Range-bûche de Convection Mk.4	100mm	150mm	600mm	OUI
Loxton 5 Mk.4	100mm	300mm	600mm	OUI
Loxton 5 Range-bûche Mk.4	100mm	300mm	600mm	OUI

VEUILLEZ NOTER QU'IL FAUT TOUJOURS MAINTENIR UNE DISTANCE MINIMALE DE 1350mm POUR LES AMEUBLEMENT DOUX

FOYER

Le foyer doit être capable de supporter le poids du poêle et de sa cheminée.

Modèles , Churchill and Loxton 5, sont testés et adaptés pour être installés sur une plaque non combustible de 12 mm comme une plaque de sol verre de 12 mm ou une plaque d'ardoise de 20mm.

L'Installation de tous les foyers doit se conformer à la taille et la construction de sorte qu'il est en conformité avec les dispositions de Règlement locale.

Les distances de sécurité aux matériaux inflammables autour, à l'arrière du foyer doivent se conformer aux normes fixées dans le Règlement de construction locales et aussi dans ce guide d'utilisation. Si le poêle doit être installé sur un plancher en bois, il doit être recouvert d'un matériau non-combustible et conformément aux règles de construction locales à une distance de 30 cm devant le poêle et 15 cm du côté latérale du poêles.

AIR DIRECT ET POELE ETANCHE

Il est nécessaire de prévoir avec le poêle des entrées d'air suffisantes pour un fonctionnement efficace, pour assurer la sécurité des habitants et parer à toute éventualité. Cela est particulièrement nécessaire si la pièce dispose un double vitrage, si un stabilisateur de tirage de fumée est monté sur l'appareil, ou encore si des systèmes d'échangeur de chaleur de l'air à pression négative sont utilisés. La fourniture de l'alimentation en air du poêle doit être conforme aux règles de construction locales actuelles. Une fenêtre ouverture ne convient pas à cet effet. Les entrées d'air doivent être positionnées de telle sorte qu'elles ne peuvent pas être bloquées. Une entrée d'air peut être une ouverture (cette sortie doit être ouverte et assurer sa fonctionnalité lorsque le poêle est allumé).

Il n'y a pas de règles européennes concernant la distance minimale des murs non-inflammables, Mendip Poêles recommande de laisser une distance d'au moins 100 mm à l'arrière et sur les côtés du poêle. Les Modèles Woodland, , prennent l'air de combustion à partir d'une seule ouverture de 80mm sous le poêle, une fois la porte fermée l'amenée d'air fournit tout l'air de combustion de l'appareil. Celui-ci peut être relié à l'extérieur par un tuyau de 80 mm de sorte que le dispositif ne prenne pas d'air de la pièce. Cependant, Mendip Poêles recommande toujours l'utilisation d'une arrivée d'air dans la pièce suffisante pour permettre la reconstitution rapide de l'air ambiant pour les habitants en cas de problème.

CHAMBRES DE COMBUSTION

La chambre de combustion Mendip, les panneaux de vermiculite sont conçus pour assurer le maximum d'efficacité et sont une partie intégrante du processus de combustion propre au poêle. La vermiculite ne doit pas être enlevée autrement que pour nettoyer le poêle. Tous les panneaux brisés défectueux doivent être remplacés, mais la présence de petites fissures ne nécessite pas de remplacement immédiat. Pour éviter les dommages accidentels potentiels de briques, placez le bois dans le foyer tout en portant un gant lors du ravitaillement, éviter de jeter les bûches ; l'impact à partir des bûches peut causer des fissures prématurées au niveau des panneaux de vermiculite.

Raccordement pour cheminée

Les poêles Mendip sont construits avec une sortie par le haut en standard, ce qui peut être modifié pour une connexion arrière en retirant le collier supérieur, et en le positionnant sur le couvercle à l'arrière. Des précautions doivent être prises pour assurer un ajustement étanche à l'air lors du montage du collier et de la plaque. Une plaque de couvercle décorative est incluse dans chaque poêle pour couvrir le trou dans la plaque supérieure de convection. Ce collier permet la connexion soit à une cheminée de maçonnerie, à une pièce d'usine préfabriquée isolée, ou à une cheminée en métal. Il faut s'assurer que les pièces détachées (en briques et grilles) soient montés conformément aux instructions données dans le guide d'utilisation. À l'issue de l'installation, prévoir une période de temps convenable pour que tous les mastics d'incendie sèchent, un petit feu peut être allumé pour vérifier que la fumée et les vapeurs sont prises du poêle vers la cheminée et émises en toute sécurité dans l'atmosphère. Ne pas faire fonctionner l'appareil à pleine puissance pendant au moins 24 heures.

MIS EN SERVICE

Au terme de l'installation, les instructions d'utilisation sont laissées au client. Assurez-vous de conseiller le client sur l'utilisation correcte de l'appareil avec les combustibles susceptibles d'être utilisés dans le poêle et notifier leurs l'utilisation de combustibles recommandés pour le poêle. Transmettez les recommandations nécessaires à l'utilisateur en cas d'émanations de fumées par le poêle. Le client doit être averti de l'utilisation d'un pare-feu à la norme BS 8423: 2002, en présence des enfants, ou de personnes âgés ou infirmes.

FONCTIONNEMENT DU POÊLE

Combustibles appropriés

Votre poêle est testé pour brûler du bois. Les briquettes de bois peuvent également être brûlées, mais il faut prendre en compte leur fort pouvoir calorifique en comparaison au bois. Ne surchargez pas le poêle car cela peut causer une chaleur excessive et endommager le poêle (voir le tableau à la page 28).

GARDEZ TOUJOURS la charge de bois en dessous de l'ouverture de l'air TERTIAIRE à l'arrière du poêle. Utilisez uniquement des combustibles approuvés pour utilisation sur les poêles à bois. Ne pas brûler les combustibles liquides, dérivés du bois, bois fini, bois scié, palettes en bois, bois aggloméré, contreplaqué en bois ou en plastique recouvert de bois verni, le bois traité avec des conservateurs, ou de tout types de déchet domestique.

NE PAS DEPASSER POIDS carburant spécifié.

NE PAS BRÛLER DU CHARBON BRUN. NE PAS BRÛLER DES DÉCHETS DOMESTIQUES, CET APPAREIL N'EST PAS UN INCINERATEUR

MENDIP STOVES conseille l'utilisation d'un THERMOSTAT de cheminée pour vérifier que votre poêle ne surchauffe pas. Mettez le THERMOSTAT DIRECTEMENT AU-DESSUS DU POELE sur le conduit et comparer aux TEMPERATURES de références déclarées dans les tests (page 27).

PREMIER ALLUMAGE DE VOTRE POÊLE

Avant d'allumer le premier feu dans le poêle Assurez-vous que vous avez lu ce manuel entièrement et vous familiariser avec les contrôles de votre poêle.

La peinture du poêle résistante à la chaleur, "cuira" et durcira la première fois que vous allumerez votre poêle. Le procédé de durcissement produit beaucoup de fumée et une forte odeur. Il est donc important que la pièce soit bien aérée pendant ce premier allumage.

Au cours de cette période, lors des deux ou trois premiers allumages, il est important d'ouvrir et de fermer périodiquement la porte du poêle (toutes les 30 minutes), ce qui évitera à la corde d'étanchéité autour de la porte de coller et de se détacher. Une fois la peinture résistante à la chaleur "cuite", l'odeur disparaîtra. Ce poêle n'est pas prévu pour être utilisé avec la porte ouverte, elle doit rester fermée, sauf pendant l'allumage, le chargement des bûches ou le nettoyage des cendres, ceci pour empêcher les gaz brûlés de s'échapper. **Allumage ultérieur du poêle**

Utilisez des allume-feux de bonne qualité pour allumer le poêle (N'utilisez jamais d'alcool pour allumer le poêle, de pétrole ou autres liquides inflammables). Il sera plus fiable et plus facile d'allumer le poêle avec des allume-feux qu'avec du papier.

Votre poêle n'est pas conçu pour être utilisé avec la porte ouverte ; la porte du poêle doit être maintenu fermée sauf pour allumer le poêle, ajouter du bois de chauffage ou enlever des cendres et ceci afin d'empêcher les gaz de combustion de fuir.

CONTROL D'AIR DU POÊLE A BOIS - Woodland ,

Le control Air universelle (UAC) permet un contrôle de l'air pour l'ensemble d'un poêle avec un seul levier de commande. Deux opérations importantes :

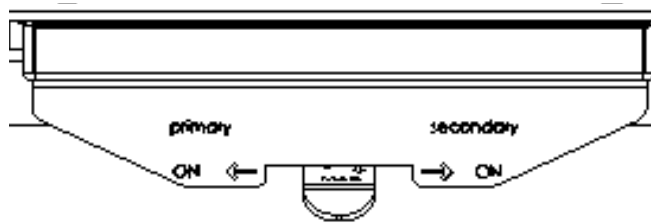
Le déplacement du levier de commande avant et arrière

Glisser le levier de commande vers l'arrière, vous réduisez la quantité totale d'air de combustion dans le poêle.
Glisser le levier vers l'avant, vous augmentez la quantité totale d'air de combustion dans le poêle.

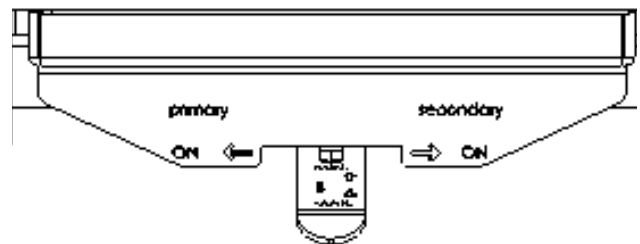
Déplacer le levier de commande de gauche à droite

En déplaçant le levier de commande vers la gauche, vous augmentez le mélange d'air primaire et en déplaçant vers la droite, vous augmentez l'air secondaire (lavage à l'air) mélange.

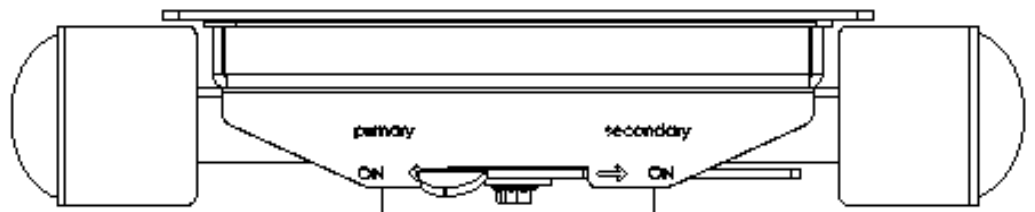
Quelle que soit la position du levier, le poêle peut avoir soit de l'air minimum ou maximum de combustion.



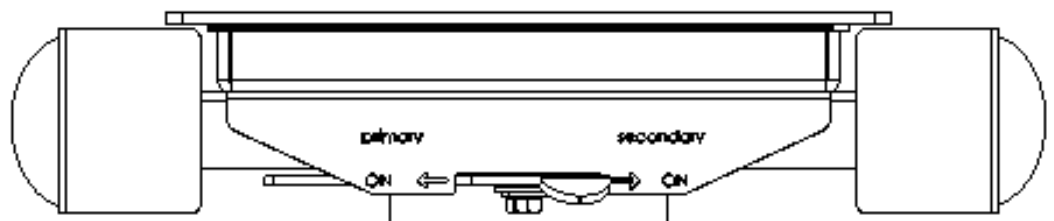
Plus d'air avant



Moins d'air arrière



A gauche air primaire

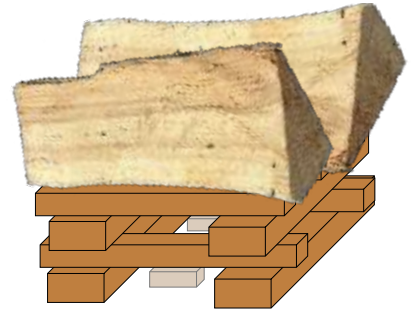


A droit air secondaire

COMMENT ALLUMEZ VOTRE POÊLE À BOIS MENDIP

Remarque : Si la conduit est à l'extérieure et en période de grand froid, il peut être nécessaire de réchauffer la cheminée en utilisant les allume-feux préalable à l'allumage avec du bois

1. Placez des petits bouts de bois sec (petit bois) dans le foyer par-dessus les allume-feux non toxiques. Posez un ou deux bouts de bois sec fendu au quart par-dessus. L'embranchement des bûches empilées sur le schéma permet la diffusion libre de l'air de combustion ; ce qui facilite l'allumage.



2. Avancez entièrement vers l'avant la tirette d'air universelle (UAC) en dessous de la porte du poêle. Faites glisser pleinement à la position médiane. Le poêle dispose désormais d'un mélange d'air primaire air et secondaire pour le démarrage.

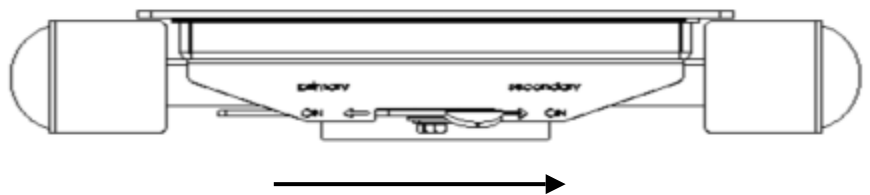
3. Allumez les allume-feux et poussez la porte en position fermée, le verrou en 1ère position de sorte que la porte est ouverte de 2 mm (voir la photo). Cela fournit de l'air de combustion en plus pour le démarrage et réduit la condensation sur la vitre de la porte. Il peut être nécessaire d'ouvrir un petit peu le cendrier (1-2 mm) pour bénéficier de plus d'air si la cheminée est lente.



4. Une fois les flammes du bois bien établies, ce qui peut prendre jusqu'à 10 minutes, la porte et ou le bac à cendre peut être fermé.

5. Laissez le contrôle d'air UAC dans la position centrale (si la tirette est au milieu du contrôleur aérien, UAC fournit à la fois de l'air primaire et de l'air secondaire). Si les flammes du poêle commencent à faiblir et générer de la fumée dans la chambre de combustion, déverrouillez la porte à nouveau jusqu'à ce que le feu soit rétabli.

6. Une fois le lit du feu établi, faites glisser le contrôle UAC sur la position secondaire et appuyez sur le levier de 25%. Pour que le poêle brûle proprement beaucoup d'air secondaire, il ne faut pas fermer le feu vers le bas, car cela peut provoquer de la fumée. Une fois la puissance calorifique nominale atteinte, faites le plein de votre poêle environ une fois par heure. Vérifiez le poids des charges de votre modèle sur le tableau de la page 68.



Utilisez le gant lorsque vous utilisez les commandes d'air et de la porte.

Le poêle devient très chaud lors de l'utilisation il faut être vigilant. Il est nécessaire d'utiliser le gant lorsque vous utilisez les commandes d'air, portes et cendrier.

BOIS DE CHAUFFAGE

Pour une utilisation optimale de votre poêle, il est nécessaire d'utiliser du bois de chauffage de bonne qualité. Il faut brûler un bois de chauffage sec issu de bois de feuillus (la teneur en humidité doit être inférieure ou égale à 20%). Le taux d'humidité du bois joue un rôle important car l'utilisation de bois humide diminue le rendement de l'appareil et peut provoquer un film de suie goudronneuse sur le fonctionnement interne de du poêle. Les bois récemment coupés contiennent 60-70% d'eau, ce qui rend totalement impropre à l'utilisation du bois de chauffage.

Tout bois récemment coupé, devrait être empilé et séché à l'air sous abri pendant deux ans avant d'être utilisé comme bois de chauffage.

CHARGEMENT DE BOIS

Ne pas brûler des combustibles liquides, dérivés du bois, bois fini, bois scié, des palettes en bois, aggloméré contreplaqué en bois ou en plastique recouvert de bois verni, bois traité avec des conservateurs, ou déchets domestique. Pour alimenter votre poêle de la manière la plus propre ne placez pas de combustible dans votre poêle lorsque les flammes se sont apaisées ou que vous avez des braises.

Avant de faire le plein, ouvrez l'air pleinement et placez le levier à la position centrale. Déverrouillez la porte pour égaliser la pression de la chambre. Ouvrez la porte doucement, ajoutez un morceau de bois (pour les 4,6 et 6 kW) ajoutez deux morceaux de bois (pour les modèles 8 & 10kW), vérifiez le poids (tableau page 28) et fermez la porte. Une fois les flammes pleinement établies, placez la tirette UAC à la bonne position et poussez la tirette de contrôle d'air 75% fermé.

L'utilisation du poêle déterminera les paramètres qui vont générer les meilleurs résultats. Utilisez un thermostat de fumée pour vérifier que le poêle ne surchauffe pas. Les thermostats de fumée doivent être placés directement au-dessus du poêle sur une section non isolée du tuyau (la zone efficace de température de fonctionnement est comprise entre 200°C et 400°C).

ENCRASSEMENT ET COMBUSTION INCOMPLÈTE

Si les contrôles d'air sur votre poêle sont fermés, une combustion incomplète peut conduire à une accumulation de suie, une suie dure et brillante à l'intérieur de votre poêle et sur la vitre.

Pour éviter la prise de suie dans votre poêle et l'encrassement de la vitre :

- 1) Utilisez plus d'air secondaire
- 2) Vérifiez que votre bois est adapté et sec.
- 3) Vérifiez que vous avez un tirage suffisant dans votre cheminée. Il est important de vérifier les conditions de tirage avant d'allumer votre poêle. Ceci peut être réalisé, par exemple, en plaçant d'un morceau de papier journal froissé et allumé. Les conditions de tirage sont bonnes si la fumée est attirée par la cheminée.

FONCTIONNEMENT PENDANT LA NUIT

Mendip Stoves sont conçus pour brûler du bois et du Charbon sans fumée de qualité

Comme un régime de temps de nuit, nous recommandons que la chambre de combustion est chargée quand il est chaud et brûlé pendant cinq minutes avec le contrôle d'air secondaire complètement ouvert jusqu'à ce que le nouveau bois a pris et est en train de brûler, puis fermer le tirette UAC d'air secondaire à sa position opérationnelle.

De retour au poêle dans la matinée, le feu aura éteint, recharger avec du papier ou allume-feu et du petit bois et ouvrir le contrôle d'air entièrement pour rallumer rapidement. Méfiez-vous que le lit de cendres aura braises chaudes.

ATTENTION

Correctement installé, exploité et entretenu, votre poêle n'émettra pas de fumées dans l'habitation. Des Fumées occasionnelles lors du décentrage et du ravitaillement en bois peuvent se produire. Cependant, les émissions de fumées persistantes sont potentiellement dangereuses et ne peuvent pas être tolérées.

Si les émissions de fumée persistent, suivez ces instructions:

- a) Ouvrez les portes et les fenêtres pour ventiler la pièce, puis quittez les lieux.
- b) Sortir les bûches.
- c) Vérifier qu'il n'y ait pas d'obstruction dans la cheminée et procéder au nettoyage.
- d) Ne pas rallumer le feu jusqu'à la cause des fumées soit identifiée et traitée. Si nécessaire consulter un expert. La cause la plus fréquente des émissions des fumées de combustion est liée à une obstruction dans la cheminée. Pour votre propre sécurité, les conduits doivent être maintenus propres en permanence.

Alarme CO

Votre installateur doit être muni d'un avertisseur de CO dans la même pièce que l'appareil. Si l'alarme s'active de façon inattendue, suivez les instructions données sous "Attention Remarque" ci-dessus.

Aérosols

Les aérosols sont inflammables et donc dangereux, ne pas les utiliser près d'un poêle en fonctionnement.

DIAGNOSTIC DES PROBLÈMES

1. **Le feu ne prend pas - vérifiez**
 - a) que l'entrée d'air ne soit pas obstruée d'aucune manière
 - b) que le conduit des fumées et de la cheminée soient dégagés
 - c) l'utilisation d'un combustible adapté.
 - d) l'alimentation suffisante en air de la pièce
 - e) que la pièce où est placé le poêle ne soit pas équipée d'un dispositif d'extraction (comme une VMC).
2. **Flammes incontrôlables – vérifiez**
 - a) que la porte soit bien fermée
 - b) que le contrôle d'air soit réglé au minimum
 - c) que le registre d'entrée d'air soit fermé et qu'il ne soit pas obstrué par la cendre ou un bout de tison
 - d) qu'un combustible adapté soit utilisé
 - e) que les joints de la porte soient en bon état
 - f) que le tirage de la cheminée ne soit pas trop fort.
 - g) que le joint du bac à cendres soit en bon état,
 - h) qu'aucune cendre ne bloque le bac à cendres, si nécessaire et nettoyer.
3. **De la suie se forme sur la vitre – vérifiez**
 - a) que le bois ne soit pas trop humide
 - b) que l'arrivée d'air secondaire soit suffisante
 - c) que le feu soit assez chaud.
4. **Le poêle ne chauffe pas bien – vérifiez**
 - a) que le bois ne soit pas trop humide
 - b) que l'arrivée d'air secondaire soit suffisante.
5. **Fumée ou odeur – vérifiez**
 - a) que le tirage de la cheminée ne soit pas trop faible
 - b) que la cheminée ou le tubage ne soient pas partiellement ou totalement bloqués
 - c) que la hauteur de la cheminée soit adéquate par rapport à l'environnement
6. **Suie dans la cheminée – vérifiez**
 - a) que le bois ne soit pas trop humide
 - b) que l'arrivée d'air secondaire soit suffisante.

MAINTENANCE

Mendip Stoves recommande de nettoyer régulièrement votre poêle, retirez la cendre (hebdomadaire si l'utilisation est quotidiennement). Utiliser un cendrier rempli par trop de cendre peut entraver le fonctionnement du poêle et peut causer des dommages sur la grille du poêle et sur le cendrier. Pour enlever le bac à cendre, utiliser l'outil et l'accrocher sur le devant du cendrier. Soulevez et sortez de sa position en dessous de la chambre de combustion. Prenez soin de soutenir le cendrier pendant le mouvement, toujours porter un gant résistant à la chaleur. Assurez-vous que le poêle soit complètement froid avant de retirer les cendres (les braises peuvent rester chaudes pendant plus de 24 heures). Les cendres doivent être stockées dans un récipient incombustible et ne doivent pas être mélangées avec d'autres déchets combustibles.

L'ENTRETIEN ANNUEL

L'intérieur du poêle doit être nettoyé une fois par an. Pour nettoyer l'intérieur, enlevez toutes les cendres, la suie et les résidus de goudron de la chambre de combustion. Retirer les panneaux de chambre isolée et le déflecteur, la saleté et la suie s'infiltrer derrière ces éléments et cela doit être nettoyé. Vérifiez la qualité de tous les panneaux isolés et remplacez les éléments endommagés ou fissurés, remplacez le joint de la porte du poêle. Vérifiez que le verre de la vitre soit correctement positionné. La connexion du conduit de fumée et la cheminée devraient être régulièrement vérifiées par un professionnel qualifié. Si pendant une période prolongée, le poêle n'est pas utilisé, il faut vérifier la cheminée, et écarter toute obstruction. La peinture, la laque peut devenir mince avec la chaleur dans des endroits exposés suite à une surchauffe. Les dommages de la peinture et de la laque, peuvent être réparés à l'aide de la Senotherm peinture ; une laque de pulvérisation disponible chez votre revendeur Mendip. Pour nettoyer l'extérieur de la poêle, utiliser un chiffon sec.

Non utilisation prolongée (d'été)

Si le poêle n'est pas utilisé pendant une période de temps prolongée (par exemple pendant l'été), alors, un nettoyage en profondeur pour éliminer les résidus de cendres et de carburant non brûlé devrait être effectué. Pour permettre une bonne circulation de l'air à travers l'appareil, pour réduire la condensation et les dommages ultérieurs, laissez les contrôles d'air complètement ouverts. Il est important que la liaison du conduit de fumée, des déflecteurs ou des plaques de l'appareil de la gorge et la cheminée soit nettoyée avant l'allumage après une période d'arrêt prolongée.

Pièces de rechange et des modifications non autorisées

Seul les composants propres du fabricant, ou pièces de rechange recommandées et approuvées par des poêles Mendip doivent être utilisés pour l'entretien de l'appareil et la réparation. Toute modification non autorisée annulera la garantie du poêle et la conformité à la norme EN 13240.

Balayer vos cheminées et feux de cheminée

Assurez-vous que votre appareil, conduits de fumée et la cheminée sont balayés régulièrement. Cela peut être entamé le fonctionnement de votre appareil.

Le ramonage régulier est essentiel et cela implique d'en effectuer un au moins une fois par an pour les carburants sans fumée et un minimum de deux fois par an pour le bois. Si une plaque d'étranglement est incorporée, il est essentiel que la plaque à aiguille soit retirée et nettoyée ci-dessus, toutes les cendres et les débris doivent être enlevés. Assurer un accès adéquat aux portes de nettoyage là où il n'est pas possible de ramoner la cheminée à travers l'appareil. Si une cheminée a été utilisée pour une installation de feu ouvert, il est possible que la température des gaz de combustion plus élevée à partir d'un appareil fermé puisse desserrer les dépôts qui ont été précédemment formés, avec le risque de blocage des fumées. Il est donc recommandé que la cheminée soit nettoyée une deuxième fois en un mois d'utilisation régulière après l'installation du poêle.

Incendies de cheminée

Il ne devrait pas y avoir d'incendies de cheminée si elle est bien ramonée régulièrement. Toutefois, si cet incident se produit, tournez le réglage du contrôle d'air au minimum et fermez soigneusement la porte du poêle. Ces mesures devraient éteindre l'incendie, auquel cas le contrôle doit rester au minimum jusqu'à ce que les flammes soient éteintes dans le poêle. Il faut ensuite nettoyer la cheminée et le conduit de fumée. Si l'incendie ne s'éteint pas une fois les mesures ci-dessus prises, appeler immédiatement les sapeurs-pompiers. La cheminée doit être examinée en détail pour vérifier qu'elle ne soit pas endommagée. Consulter un spécialiste si nécessaire.

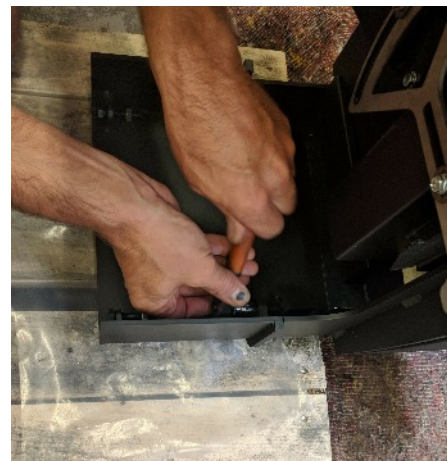
COMMENT INSTALLER LES PATTES D'UN RANGE-BÛCHES D'UN LOXTON



Retirez les composants internes du poêle et remplissez la chambre avec un matériau empêchant les briques de tomber. De plus, préparez une surface surélevée douce.



Inclinez le poêle sur son côté pour permettre un accès facile et sûr aux pieds. Dévissez les boulons de mise à niveau situés au pied du poêle.



Positionnez les pieds du magasin et utilisez les pieds réglables pour les fixer au corps du poêle. Utilisez une clé ou une clé à douille pour bien serrer.



Redressez le poêle et voyez si les jambes sont dans la bonne position; ils doivent être alignés avec les pieds avant du Woodand / Loxton et avoir un surplomb égal où les pieds rencontrent le corps du poêle. Sinon, desserrez une jambe à la fois et ajustez jusqu'à ce que vous soyez satisfait.



Mendip 
Stoves
Woodburning & Multi Fuels

Mendip Stoves Ltd.

Unit H1
Mendip Industrial Estate
Mendip Road
Rooksbridge
Somerset
BS26 2UG

Website

www.mendipstoves.co.uk

Email

info@eurostove.co.uk

Telephone

01934 750 500



Part of the Eurostove Group

Distribué en France par la société / Distributed in France and Benelux by:

Eurostove SAS

Centre d'Affaires

Rue de L'horlogerie BP 60011

62401 Bethune Cedex

Contact@eurostove.fr

www.eurostove.fr



0691046762054

CODE: M90500-49-00-99-01



Check out our full range of Heating Products

Central Heating Controls

Honeywell Heating Controls

Danfoss Heating Controls

Radiator Valves

Fernox

Sentinel

Magnaclean

Warmup underfloor heating

Water Heaters

Hand Dryers

plumbworld
Big brands, small prices.