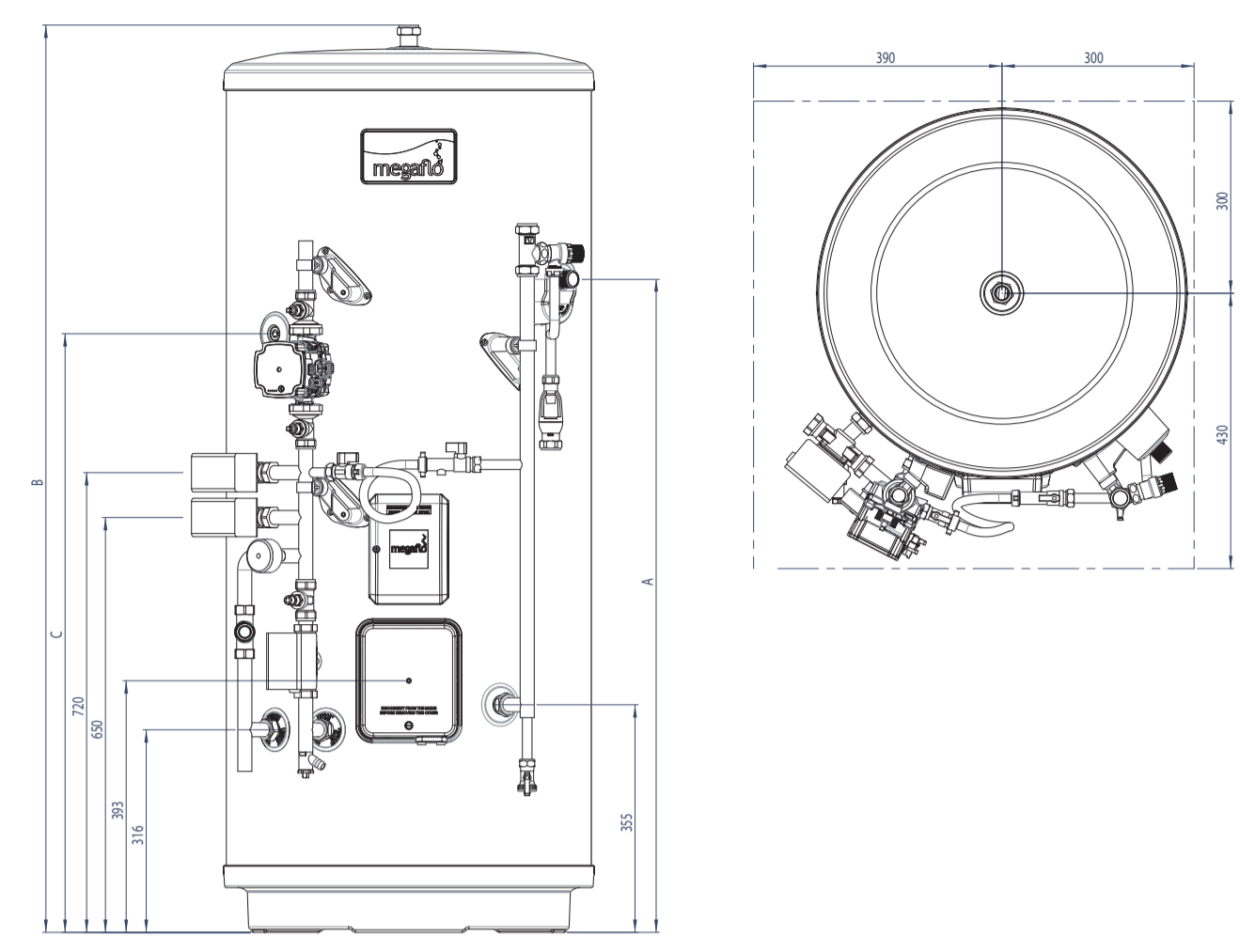


PRIMARY FLOW
(CH ZONE 1 & 2)

Hatched area shows recommended
1st fix pipework locations.

Dashed line shows recommended
minimum space requirement for
installation.

NOTE: Minimum distance from centre
line of unit to rear wall is 300mm.



Item	125l	145l	170l	210l	250l	300l
A	794	895	1020	1095	1323	1574
B	1102	1229	1384	1486	1738	2053
C	709	810	934	1011	1238	1526

DISCHARGE

EXPANSION VESSEL
CONNECTION

PRIMARY
RETURN

COLD INLET

FRONT

Check out our full range of Heating Products

Central Heating Controls

Honeywell Heating Controls

Danfoss Heating Controls

Radiator Valves

Fernox

Sentinel

Magnaclean

Warmup underfloor heating

Water Heaters

Hand Dryers

plumbworld
Big brands, small prices.