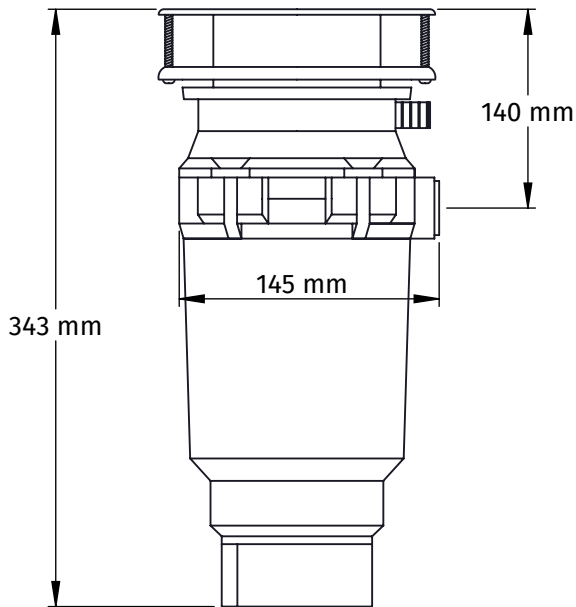


WDU-1ASUK

PERFECT GRIND®

CONTINUOUS FEED 1/2 HP
FOOD WASTE DISPOSER WITH
BUILT-IN AIR SWITCH

M'ALPINE
Plumbing Products



This model offers the following features:

- Permanent Magnet High RPM Means High Torque and Less Jams
- Bio-guard Antimicrobial Protection
- Removable Splash Guard
- Stainless Steel Turntable and Grind Rings (Compared to Competitor's Cold-Rolled or Galvanized Steel)
- Factory Installed Power Cord with Plug
- Safe for Properly Sized Septic Tanks
- 3-Bolt Mounting System
- Built-In Air Switch Mounts to Countertop for Safe and Easy Push Button Operation

WARRANTY

THE 1/2 HP PERFECT GRIND WASTE DISPOSER COMES WITH A 3 YEAR LIMITED REPLACEMENT WARRANTY.

SPECIFICATIONS

HP	1/2
Motor Type	Permanent Magnet
Feed	Continuous
Volts	220-240V
Frequency	50/60 Hz
Motor Speed	2500 RPM
Hopper Capacity	857 ml
Balance Level	G 0.4
Turntable	Stainless Steel
Grind Rings	Stainless Steel
Sink Flange	Stainless Steel
Basket Strainer	Stainless Steel
Drain Elbow	ABS
Bearings	Permanently Lubricated, Sleeve Type
Manual Reset Protector	Protection for Overload and Temp.
Shipping Weight	4.81 kg
Pallet Quantity	144 pcs

Check out our full range of Kitchen Products

Kitchen Sinks

Stainless Steel Kitchen Sinks

Granite Composite Kitchen Sinks

Glass Kitchen Sinks

Ceramic Kitchen Sinks

Franke Kitchen Sinks

Kitchen Taps

Contemporary Kitchen Taps

Traditional Kitchen Taps

Franke Kitchen Taps

Pull out Rinser Kitchen Taps

Instant Boiling Water Taps

Insinkerator Waste Disposal Units

plumbworld
Big brands, small prices.