

SHOWER PL8™

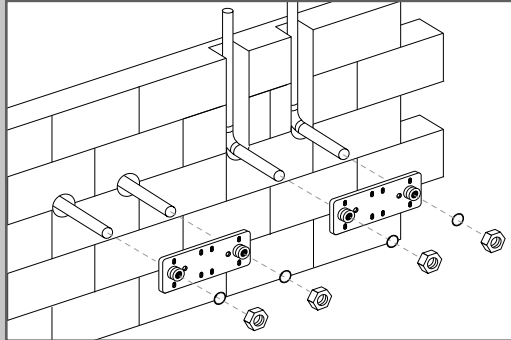
The Perfect Shower Fixing-On A PLATE

Marflow®

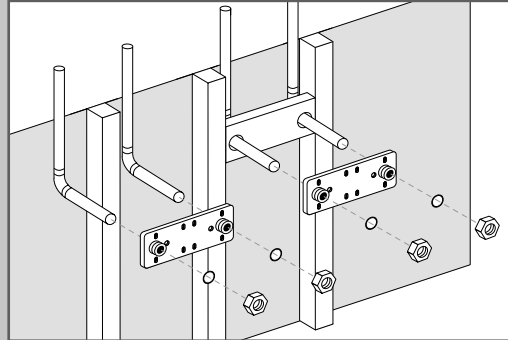
BRITANNIA HOUSE • AUSTIN WAY • HAMSTEAD INDUSTRIAL ESTATE • BIRMINGHAM • ENGLAND • B42 1DU
T: +44 (0)121 358 1555 F: +44 (0)121 358 1444 www.marflow.co.uk

FITTING INSTRUCTIONS

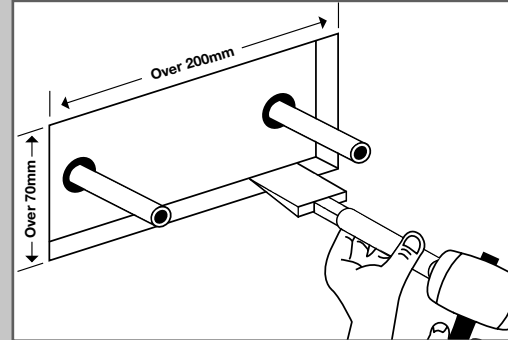
First Fix for Supply Pipes at 150mm Centres



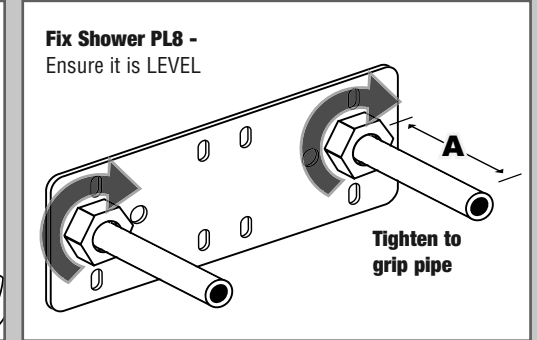
Block or brick wall -
Chase or drill through



Stud wall -
Fix to noggin or stud



Rendered Wall -
Chase out recess
at least 200mm x 70mm x 15mm deep

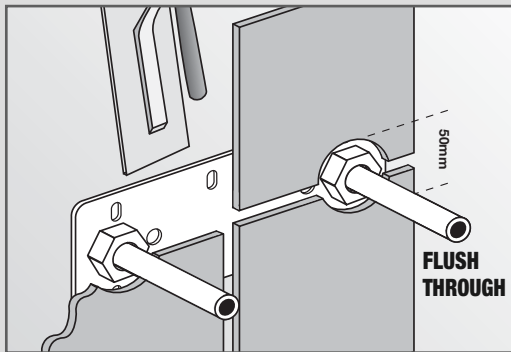


Fix Shower PL8 -
Ensure it is LEVEL

Tighten to grip pipe

Use correct fixing screws (and wall plugs) for the wall structure (not supplied). **A** must be finished wall thickness + 60mm minimum

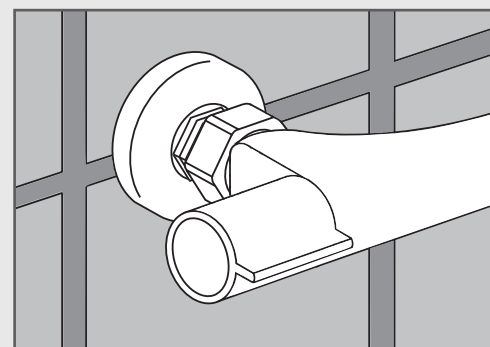
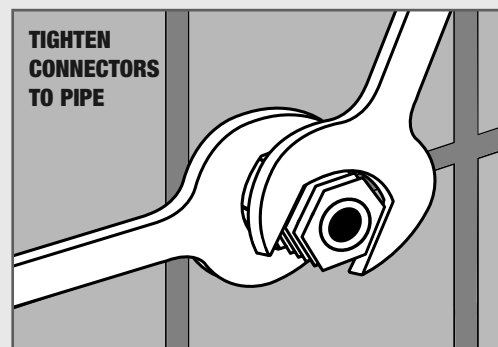
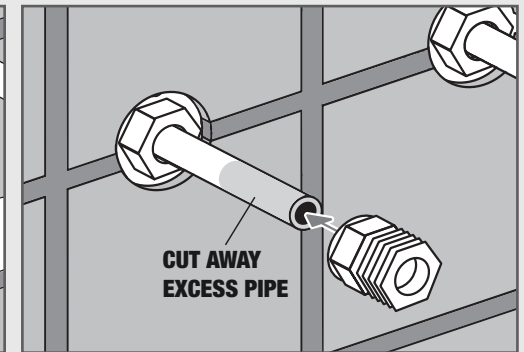
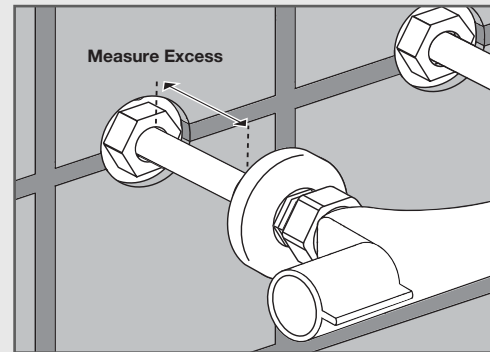
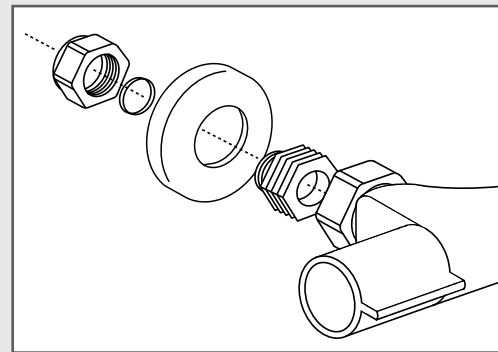
Decorate



Apply plaster and/or decorative finishes such as ceramic tiles.

Before fitting the shower mixer valve ensure pipe work is flushed through thoroughly.

Fit the Shower Mixer



Offer up the shower mixer and determine the finished pipe length to ensure the cover flanges will meet the wall.

Using a pipe slice cut away excess pipe and fit the shower mixer with the fittings supplied.

Always use 2 spanners to tighten the compression fittings on to the pipe.

Check out our full range of Showers

Electric Showers

Digital Showers

Mixer Showers

Power Showers

Smart Showers

Shower Towers

From Top Shower Brands

Mira Showers

Aqualisa Showers

Triton Showers

Gainsborough Showers

Shower Pumps can upgrade your showering experience even more

Stuart Turner Shower Pumps

Salamander Shower Pumps

Grundfos Shower Pumps

plumbworld
Big brands, small prices.