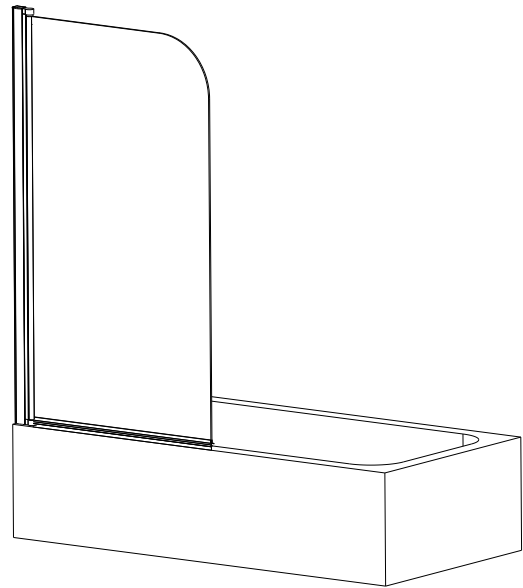
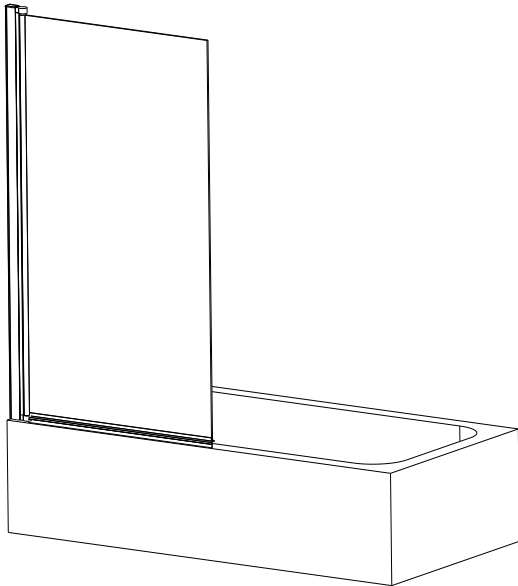


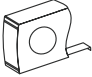


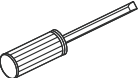
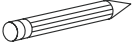
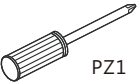
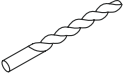

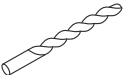
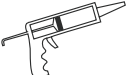
6mm SQUARE/CURVED BATH SCREEN GUIDE




General Information

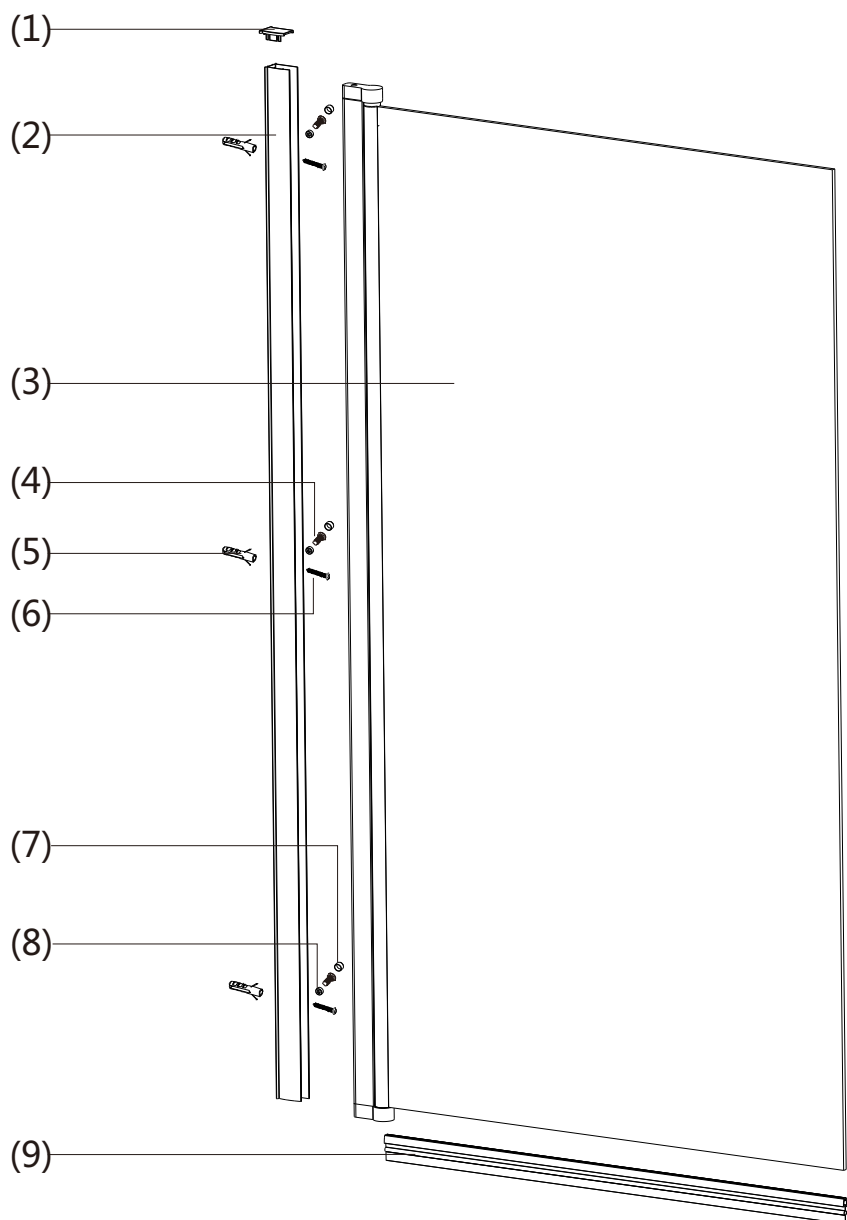
Please inspect this product upon delivery. Any missing parts or manufacturing defects must be reported immediately to the supplier. Damage or defects reported later will not be accepted. TAKE CARE WHEN HANDLING GLASS PARTS-AVOID HEAVY CONTACT BETWEEN THE GLASS EDGES AND ANY HARD SURFACE. Glass breakage claims will not be accepted after the product has been unpacked.

TOOLS REQUIRED

DESCRIPTION	PART IMAGE	DESCRIPTION	PART IMAGE
Tape measure		Drill	
Spirit level		Flat-head Screwdriver	
Pencil		Cross head Screwdriver	 PZ1
Ø6mm Drill bit		Mallet	
Ø3mm Drill bit		Silicone Sealant	

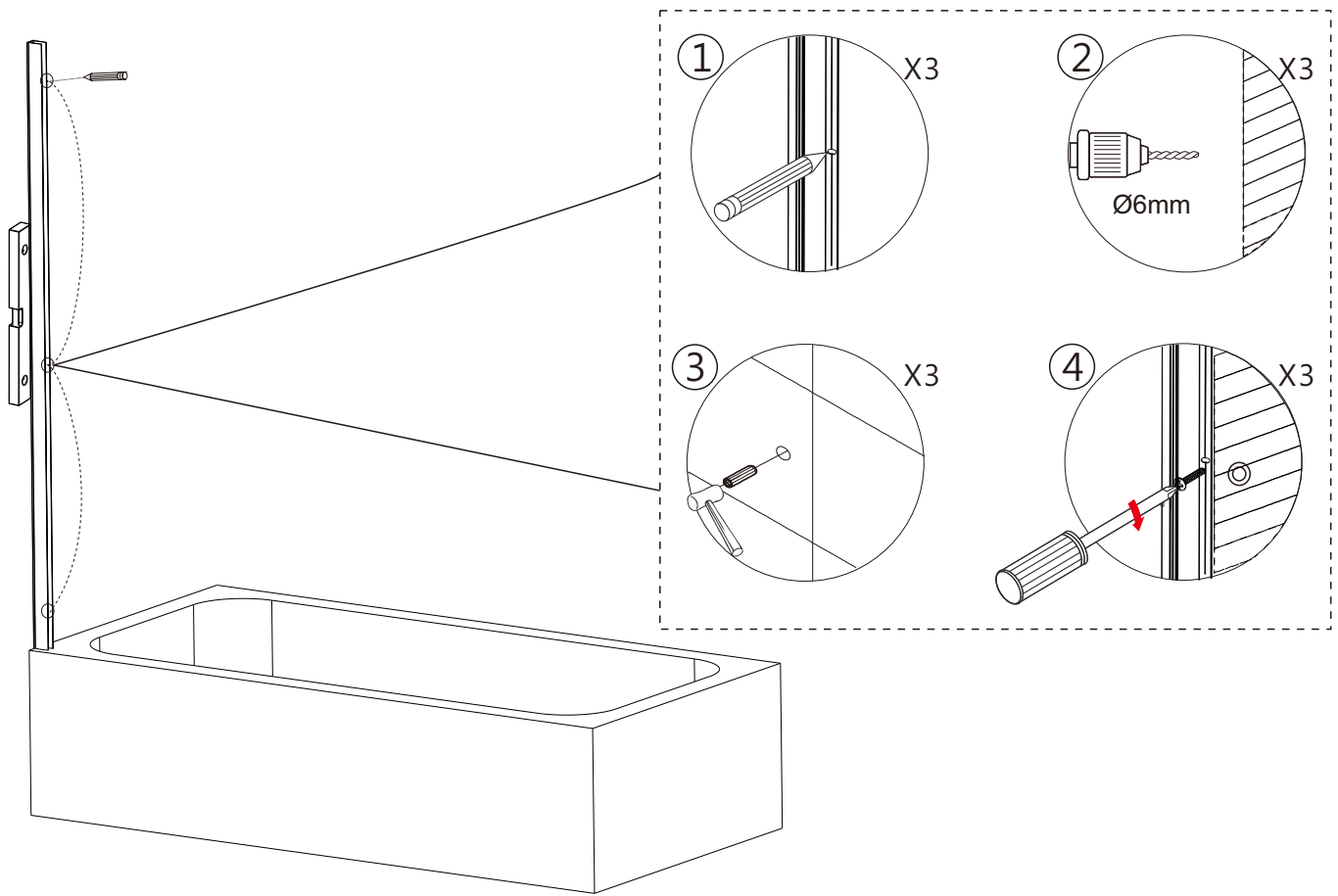
 This product is heavy and may require two people to install.

ASSEMBLY INSTRUCTIONS - DRAWING



- (1) 2x Cover caps for wall profile L/R
- (2) 1x Wall profile
- (3) 1x Moving panel
- (4) 3x Screws ST4x12
- (5) 3x $\varnothing 6 \times 30$ wall plugs
- (6) 3x Flat head screws ST4x30
- (7) 3x Screw Clips
- (8) 3x Screw Cover Caps
- (9) 1x Bottom seal

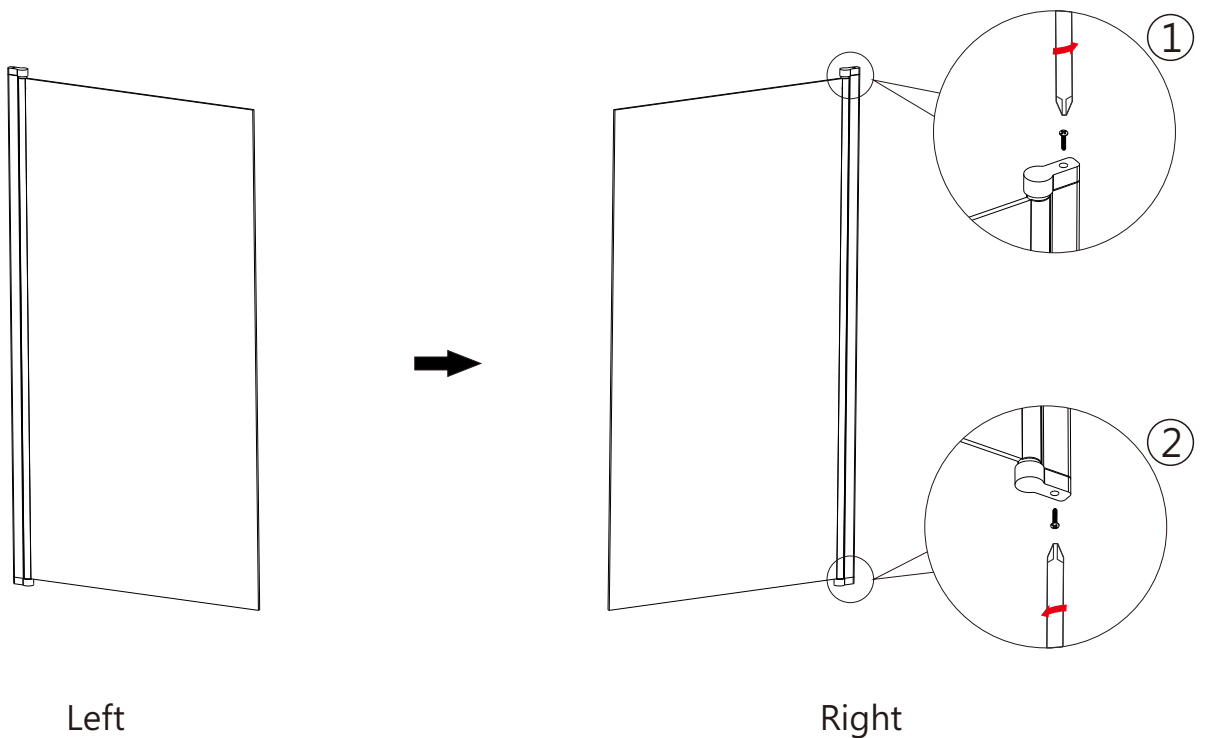
Step 1 DRILLING WALL PROFILE TO THE WALL



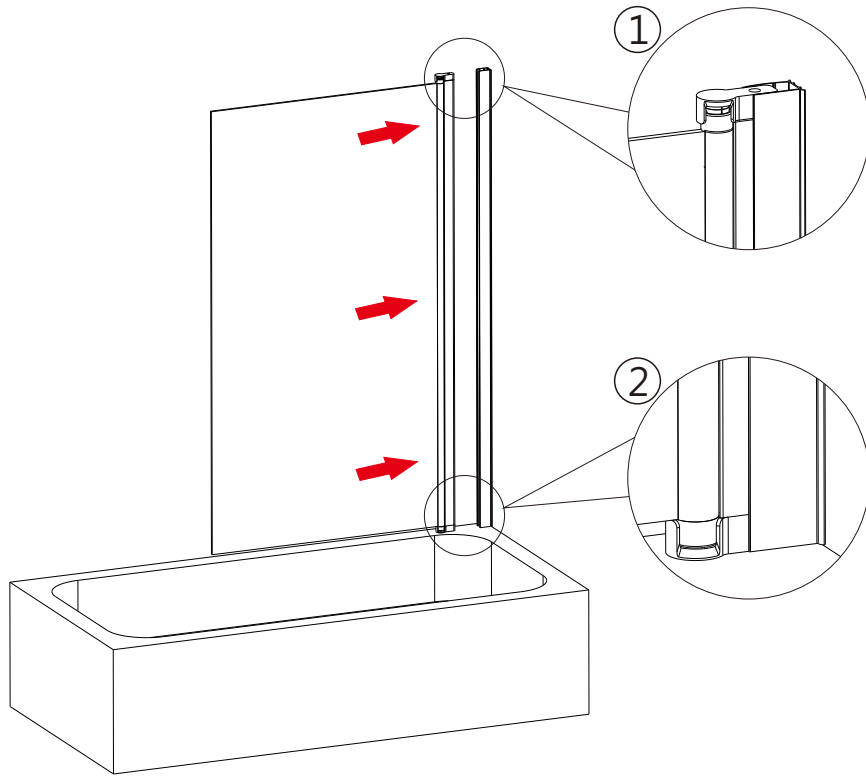
Step 2

Before you assemble the product, please check the handing you require.

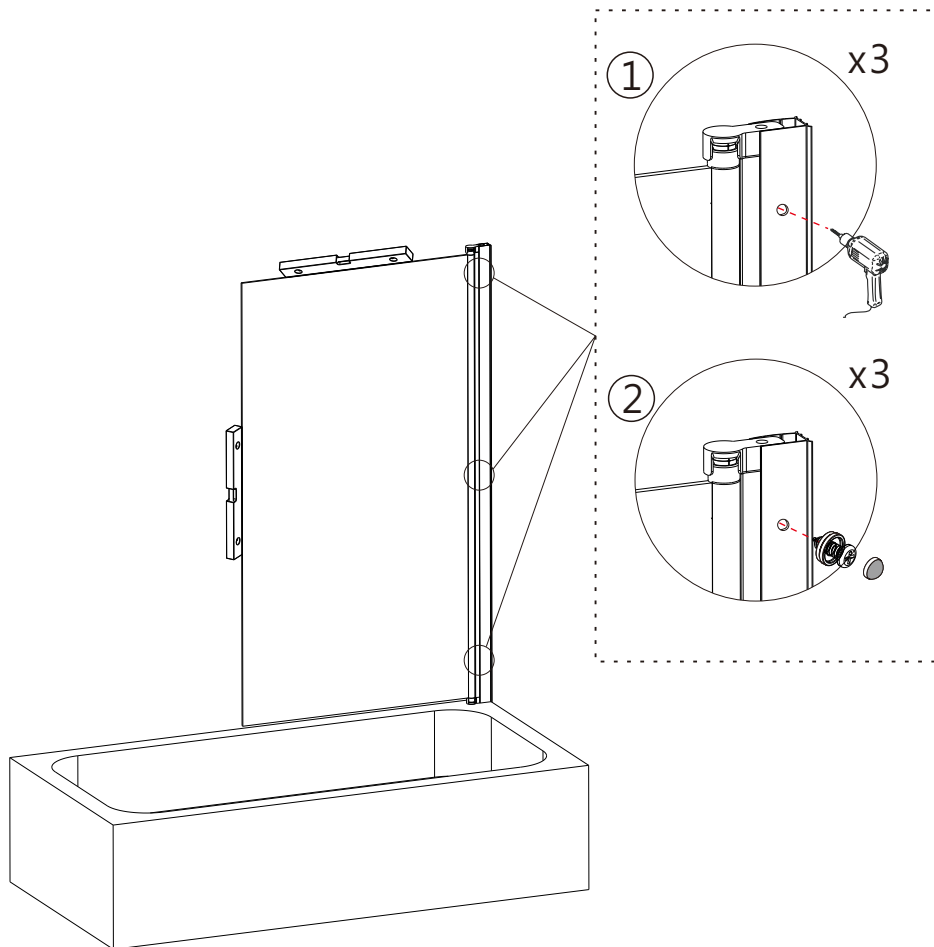
For right hand installation, you will need to remove the top and bottom brackets and turn the glass upside down, then attach the brackets to the top and bottom.



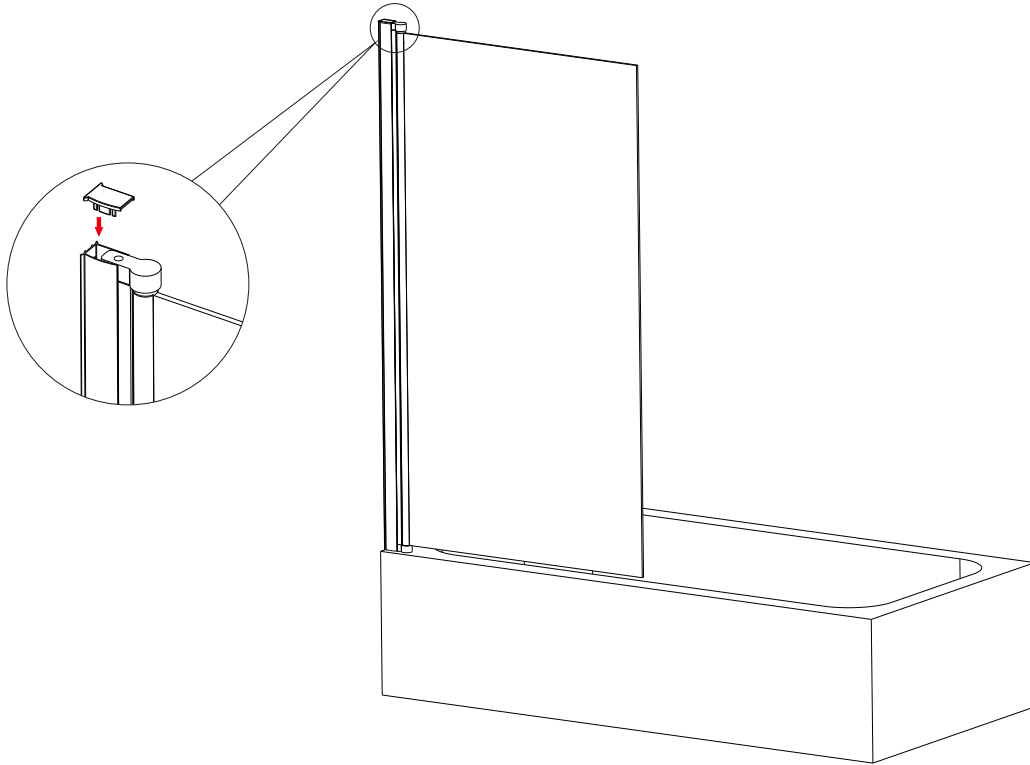
Step 3



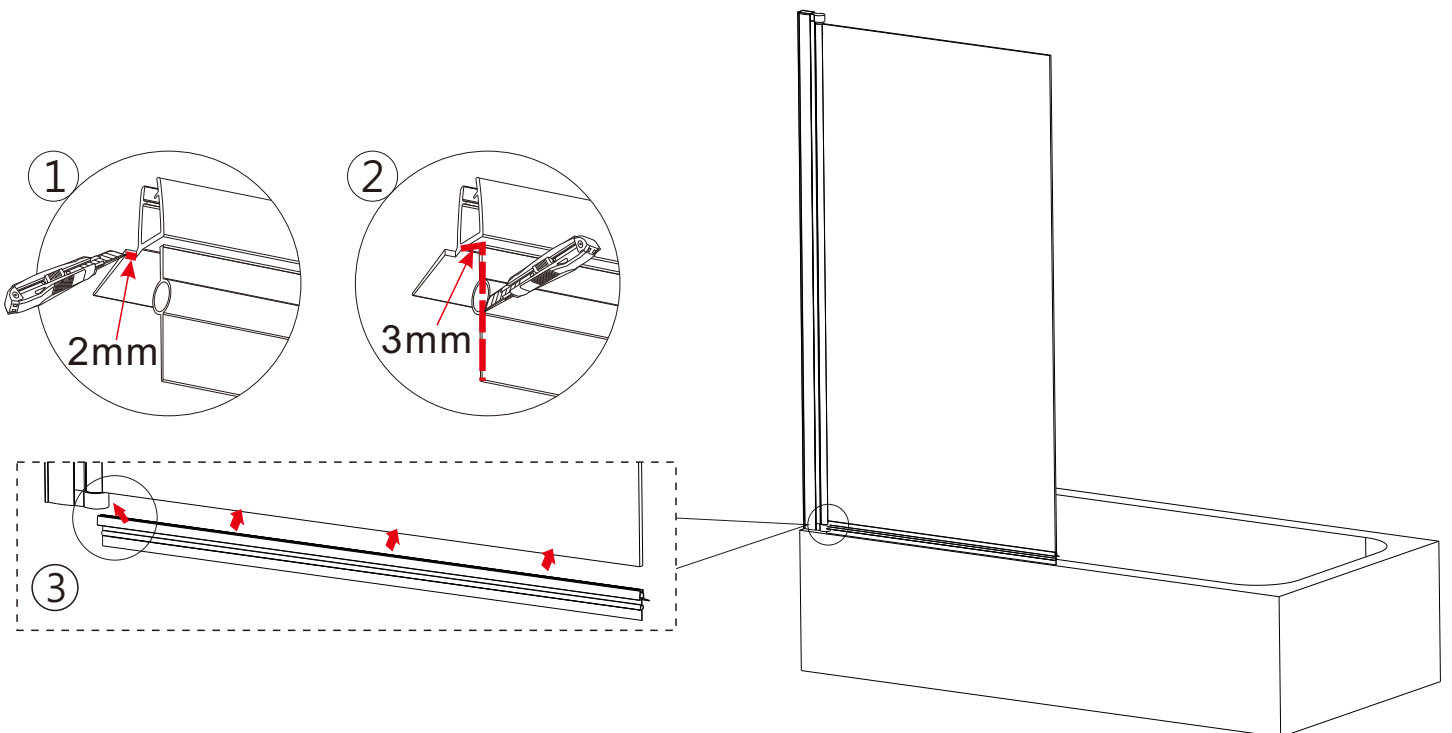
Step 4



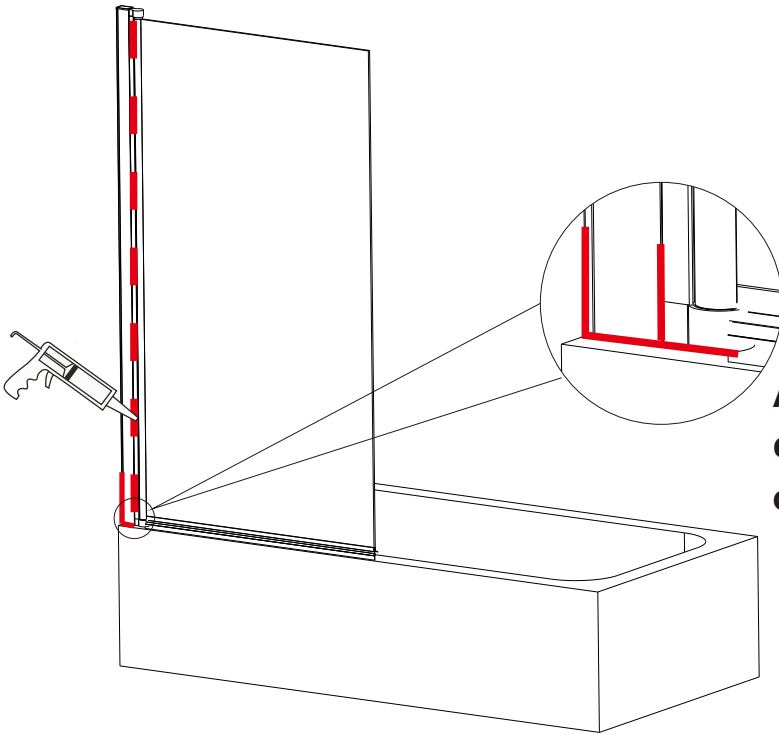
Step 5



Step 6



Step 7



Allow 24 hours for silicone to dry before use. Silicone on the outside edge only, NOT THE INSIDE

Aftercare instructions

Regularly clean your shower product with warm soapy water to prevent lime scale build up. **DO NOT** use abrasive cleaning fluids or materials, or strong chemical cleaners as this will damage the product surface.