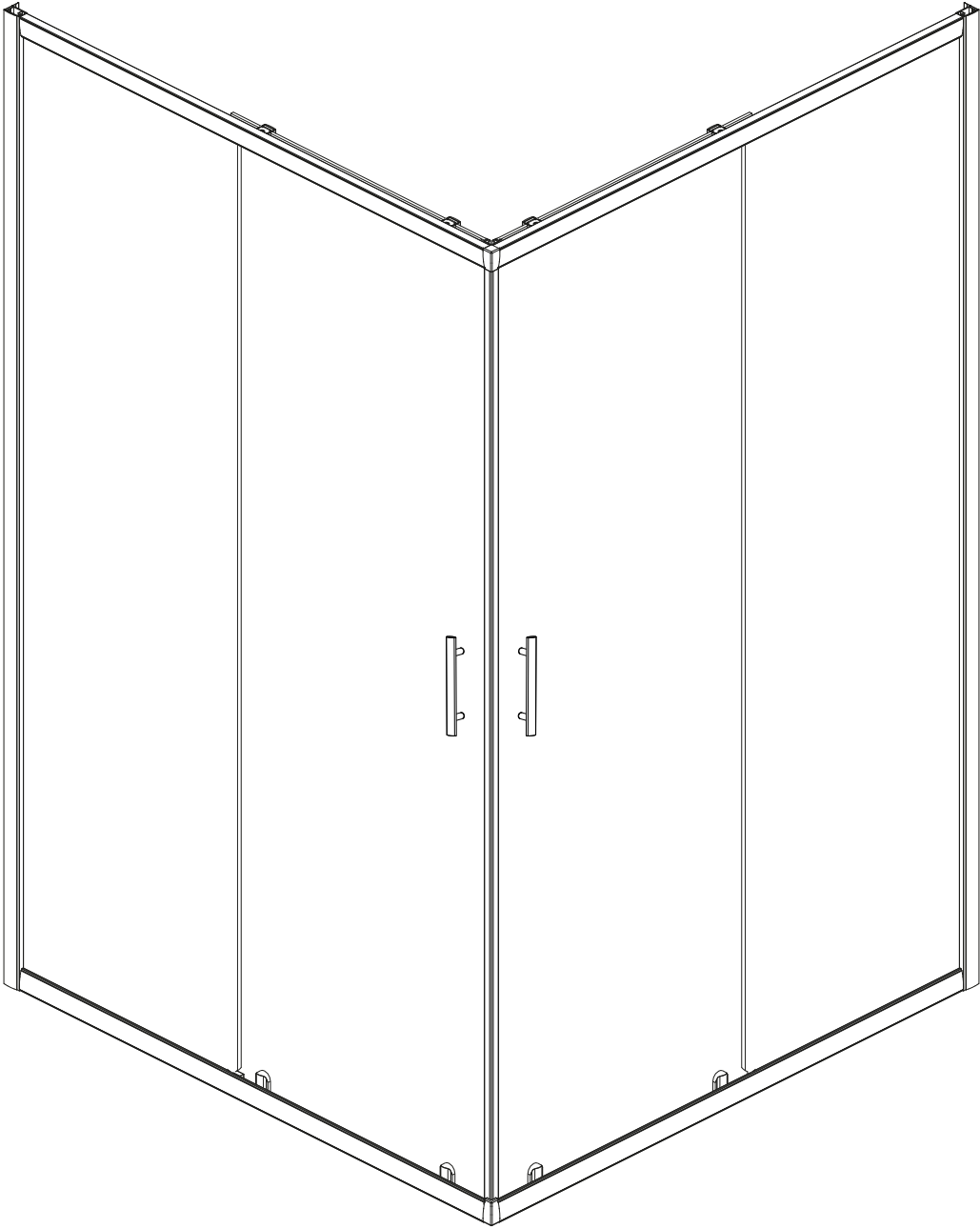


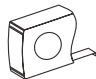


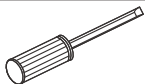

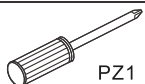

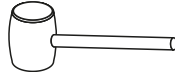


6mm CORNER DOOR GUIDE




General Information

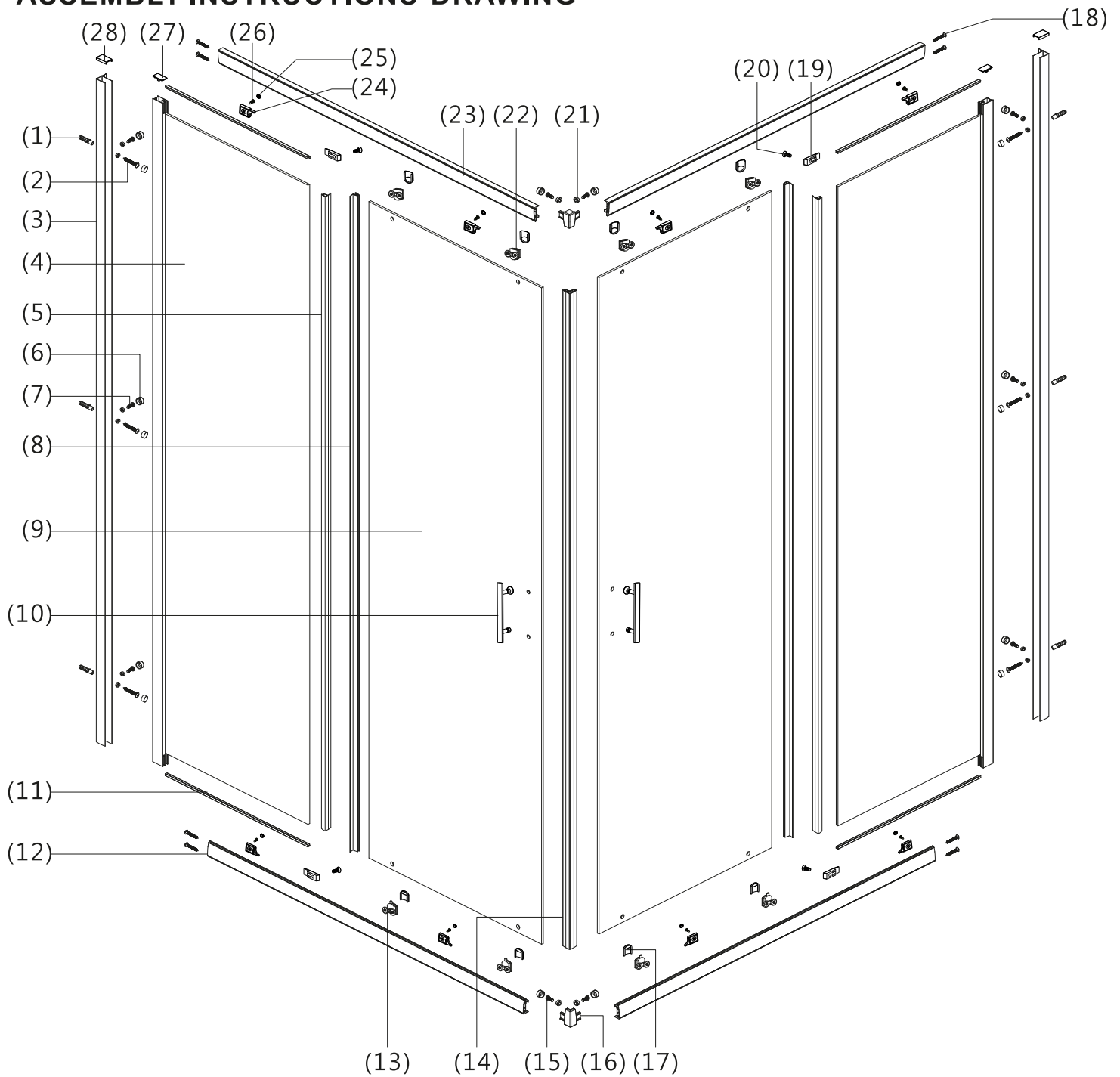
Please inspect this product upon delivery. Any missing parts or manufacturing defects must be reported immediately to the supplier. Damage or defects reported later will not be accepted. **TAKE CARE WHEN HANDLING GLASS PARTS-AVOID HEAVY CONTACT BETWEEN THE GLASS EDGES AND ANY HARD SURFACE.** Glass breakage claims will not be accepted after the product has been unpacked.

TOOLS REQUIRED

DESCRIPTION	PART IMAGE	DESCRIPTION	PART IMAGE
Tape measure		Drill	
Spirit level		Flat-head Screwdriver	
Pencil		Cross head Screwdriver	 PZ1
Ø6mm Drill bit		Mallet	
Ø3mm Drill bit		Silicone Sealant	

 This product is heavy and may require two people to install.

ASSEMBLY INSTRUCTIONS-DRAWING



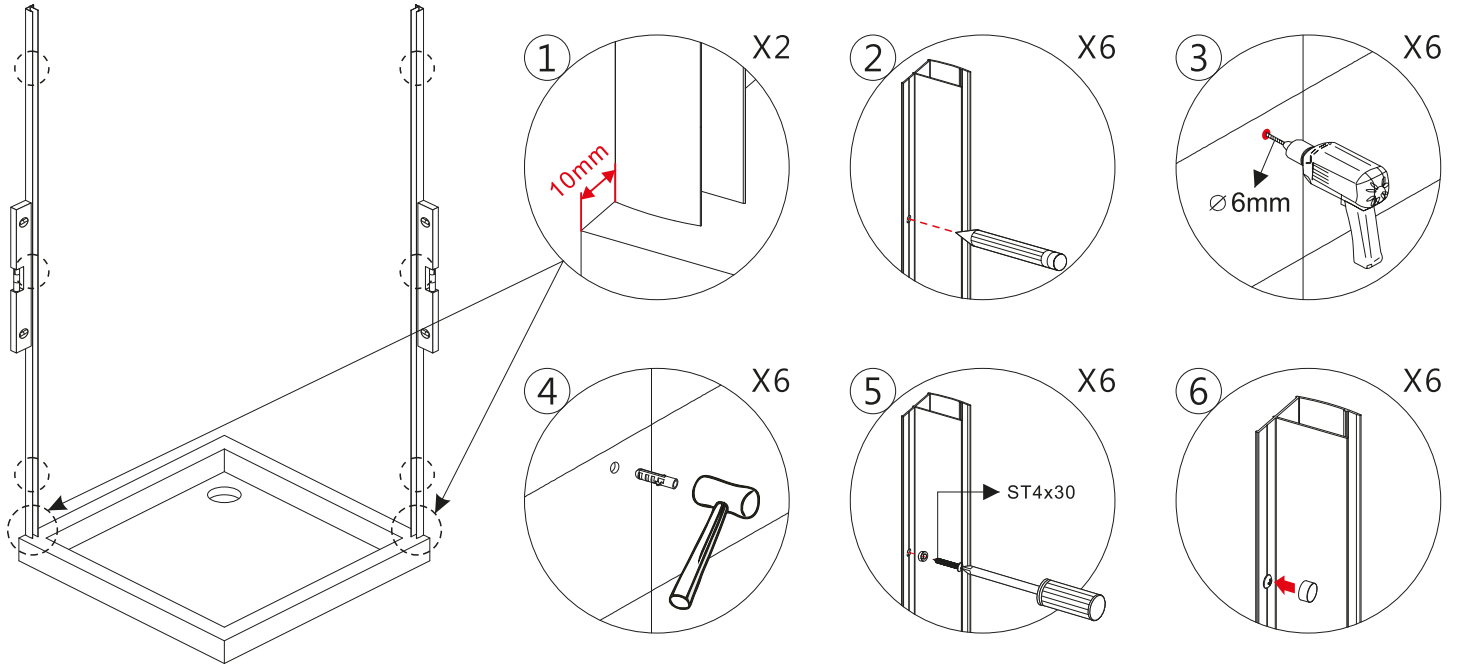
- (1) 6x Ø6x30 Wall Plugs
- (2) 6x Screws ST4x30
- (3) 2x Wall Profiles
- (4) 2x Flat Fixed Panels
- (5) 2x Upright Water Seals For Fixed Panel
- (6) 16x Screw Cover Caps
- (7) 6x Screw ST4x16
- (8) 2x Upright Water Seals For Moving Panel
- (9) 2x Moving Panels
- (10) 2x Handles
- (11) 4x Top And Bottom Seals
- (12) 2x Bottom Rails
- (13) 4x Bottom Rollers
- (14) 2x Magnet Seals

- (15) 4x Screws ST4x8
- (16) 2x Corner Brackets
- (17) 8x Roller Cover Caps
- (18) 8x Screws ST3.5x30
- (19) 4x Glass Clips
- (20) 4x Screws ST4x13
- (21) 16x Screw Cover Clips
- (22) 4x Top Rollers
- (23) 2x Top Profiles
- (24) 8x Bumper Blocks
- (25) 8x Bumper Block Cover Caps
- (26) 8x Screws ST4x10
- (27) 2x Cover Caps For Upright Profile
- (28) 2x Cover Caps For Wall Profile L/R

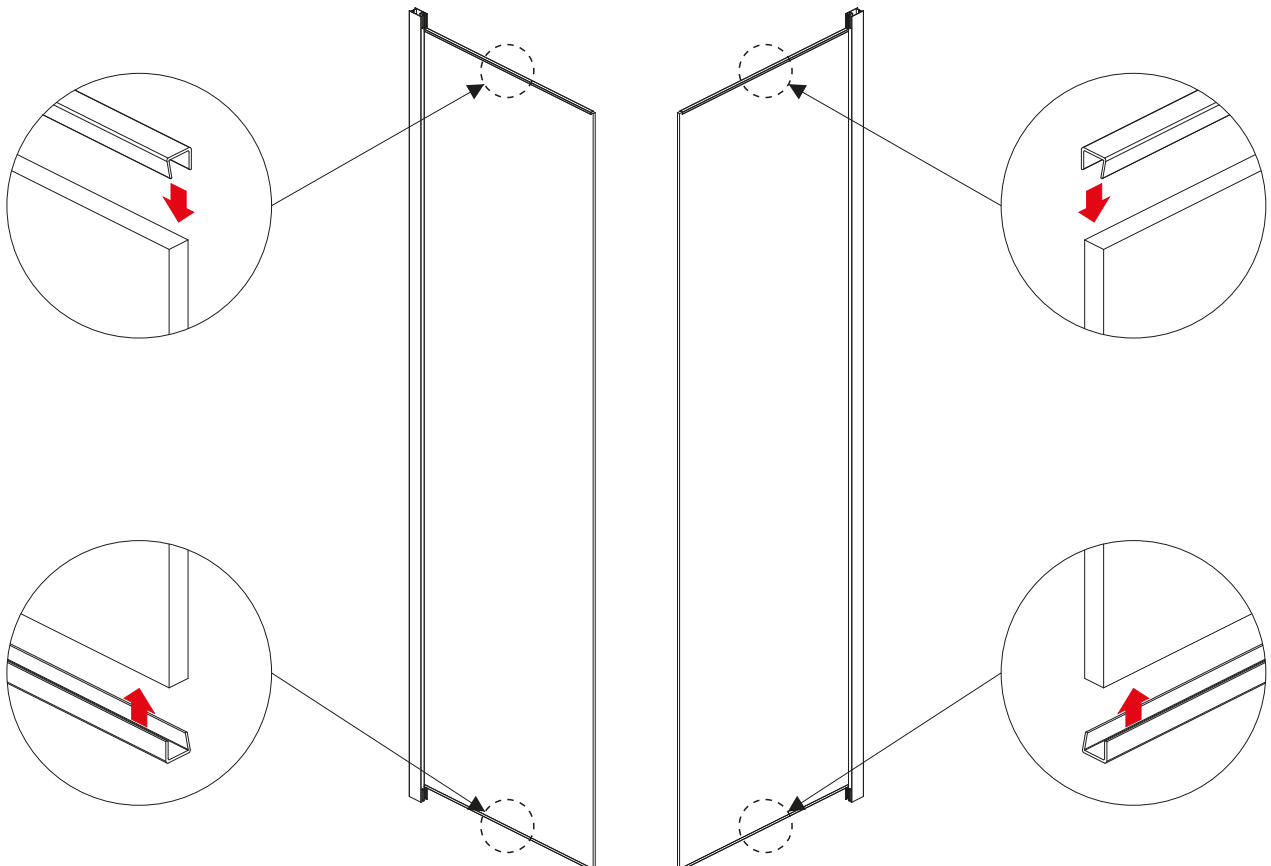
Before Installation

Please ensure that the shower tray is level and checked with a spirit level. The tray should be installed first. Tiles should then be tiled down to the tray. The enclosure can then be installed.

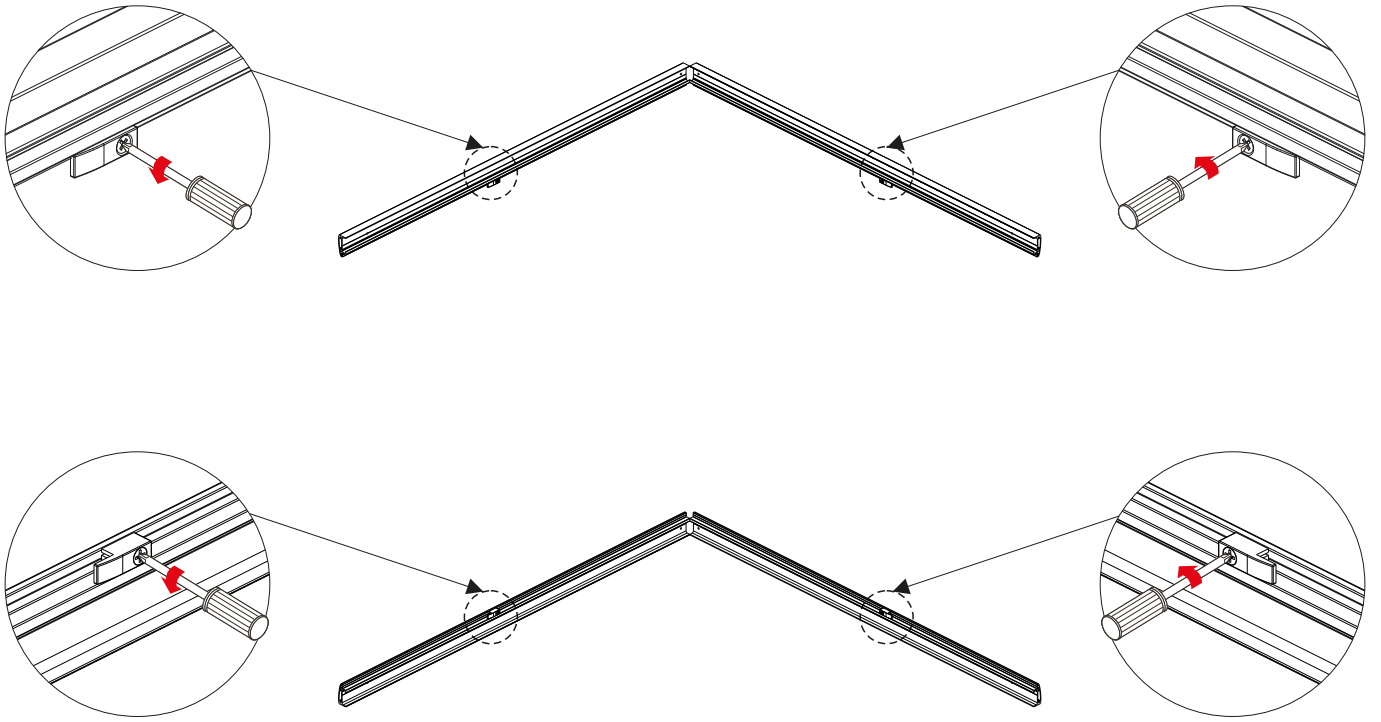
Step 1



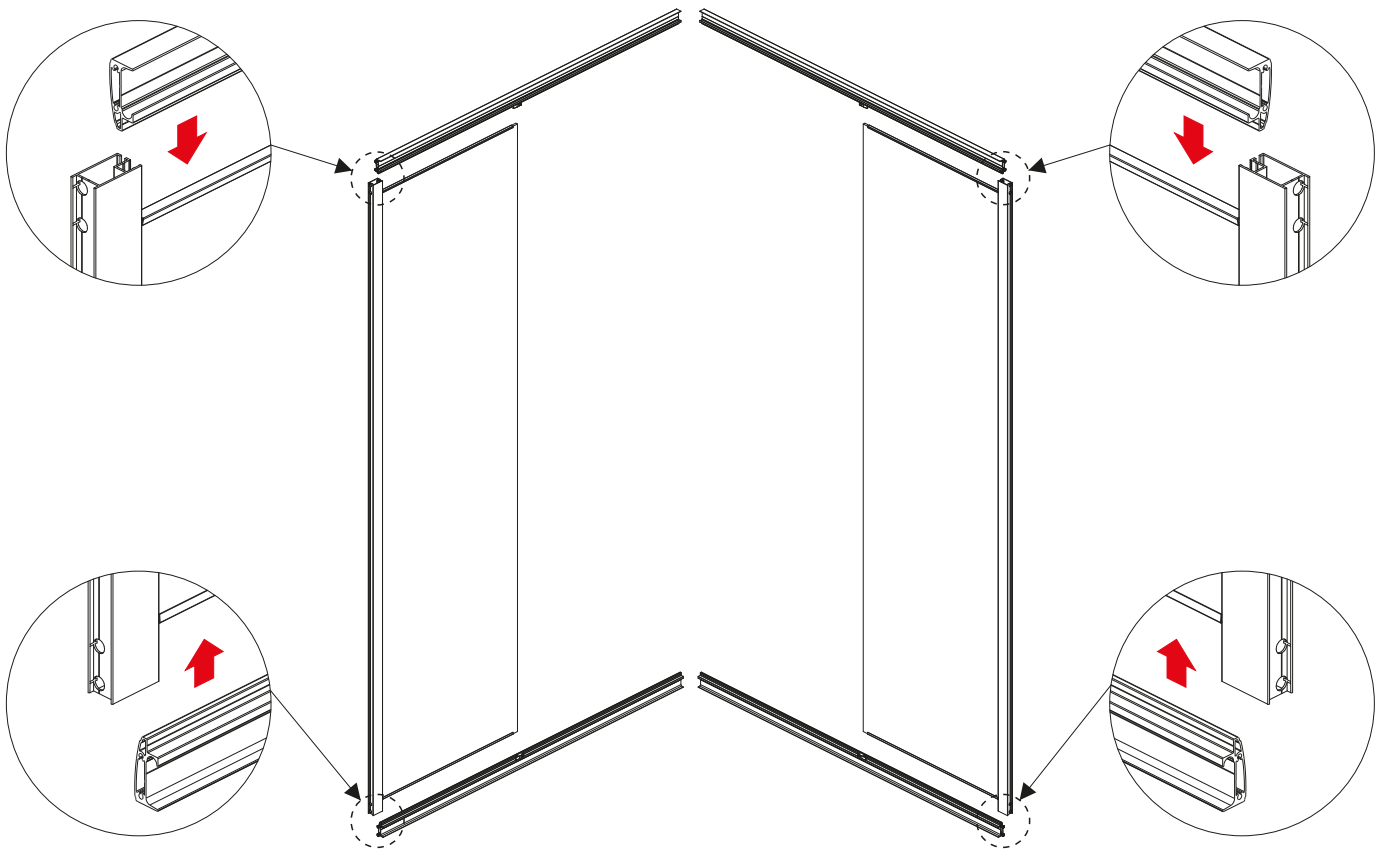
Step 2



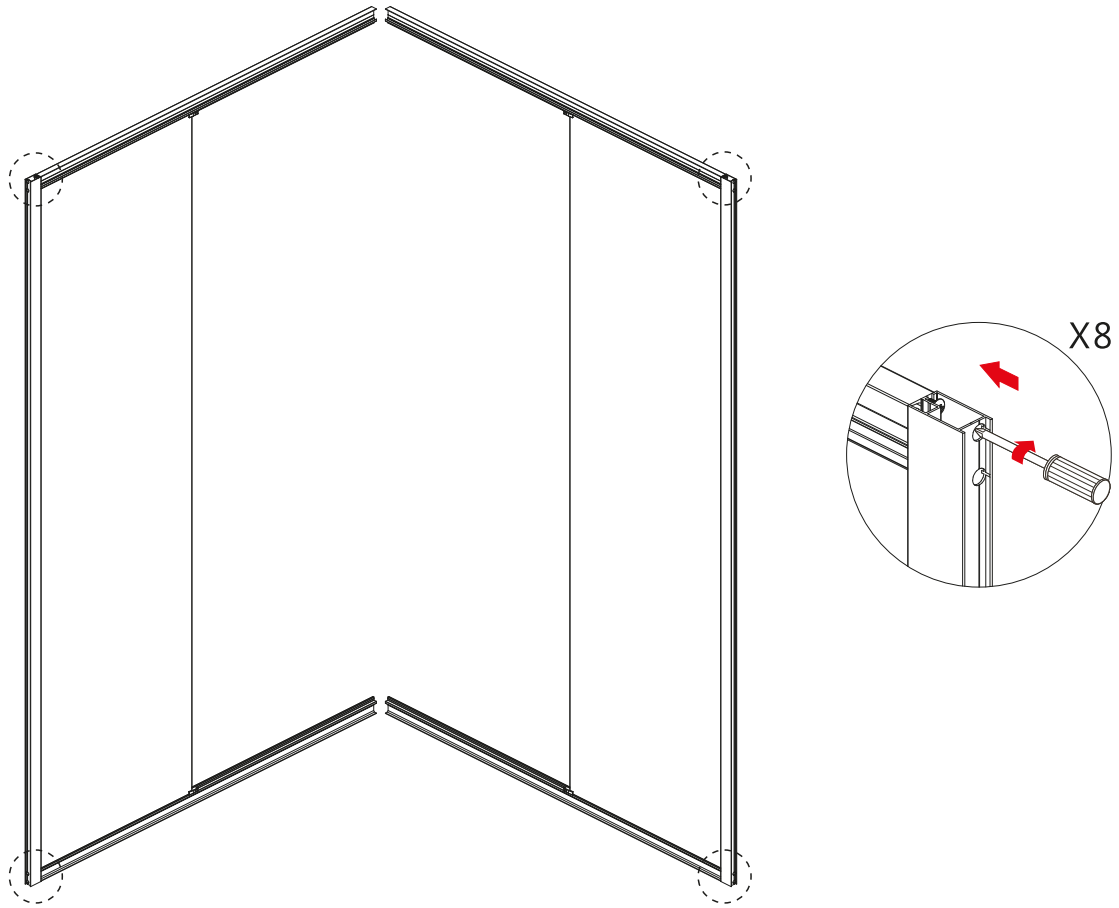
Step 3



Step 4

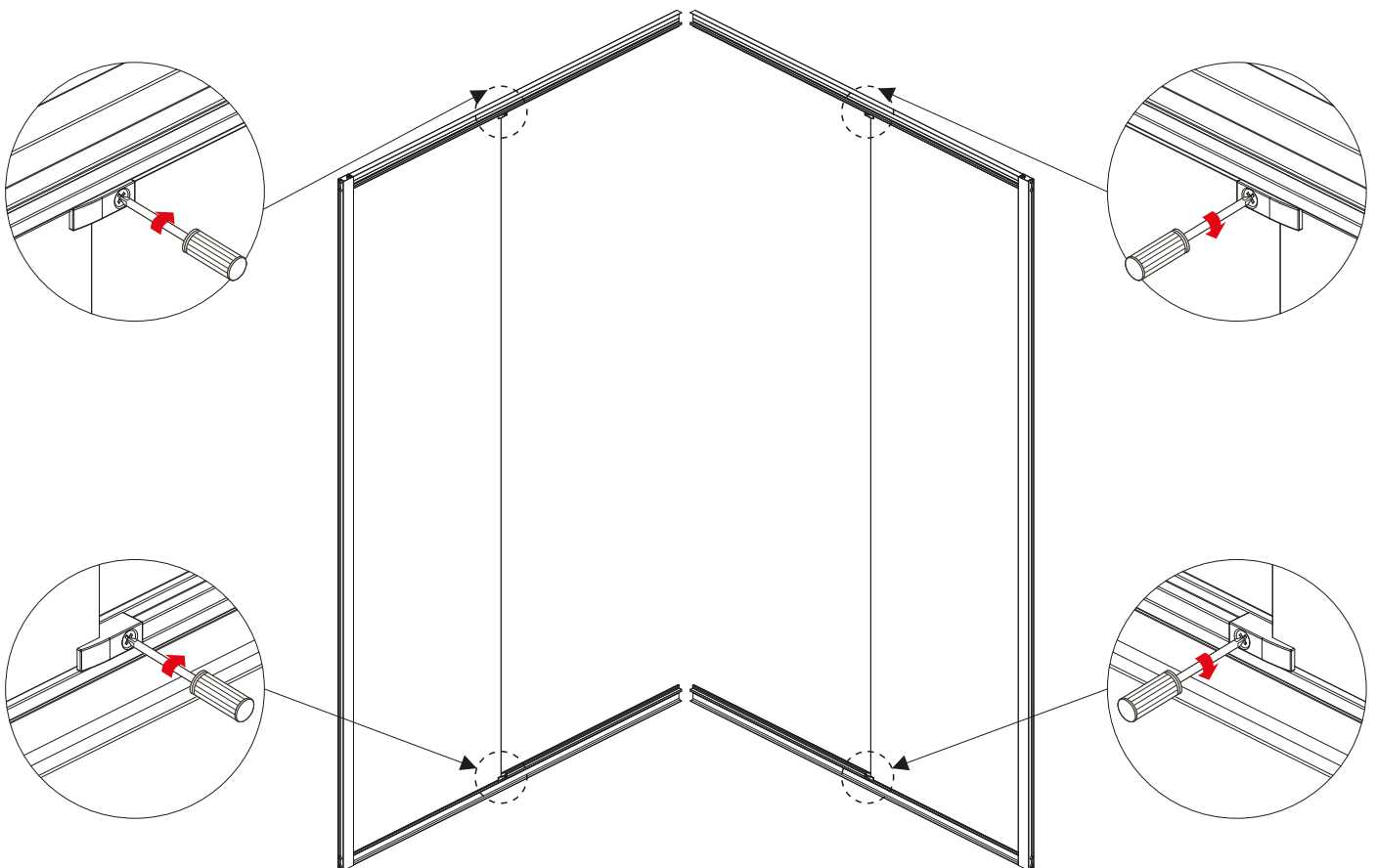


Step 5

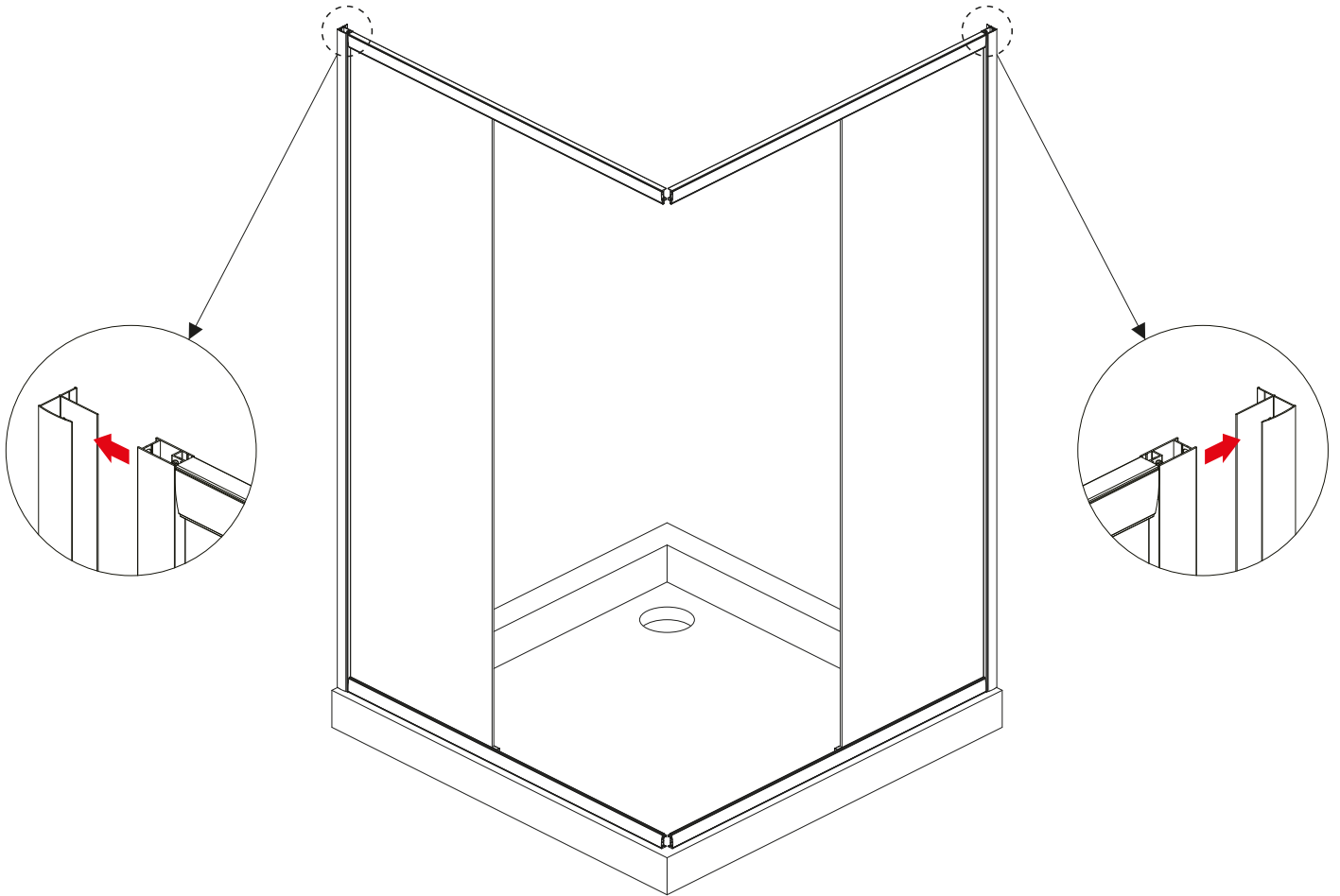


Note: Do not over tighten the screws

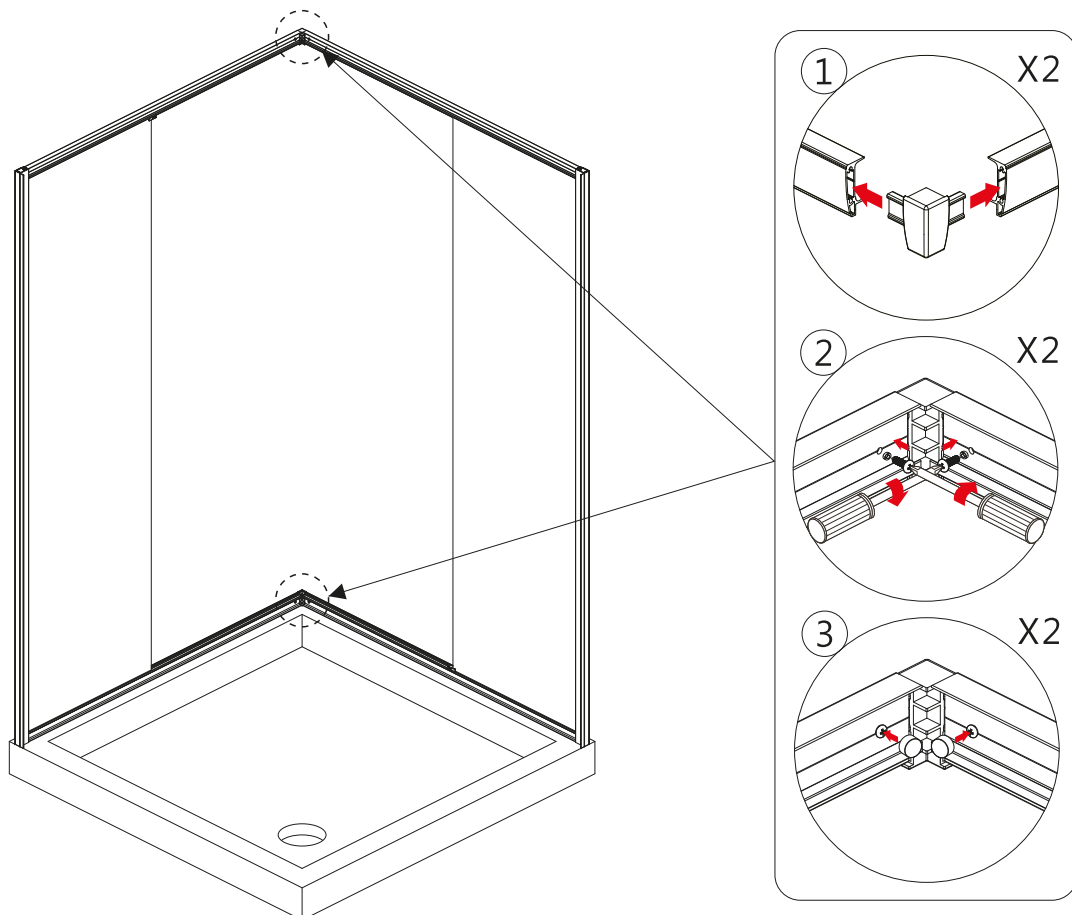
Step 6



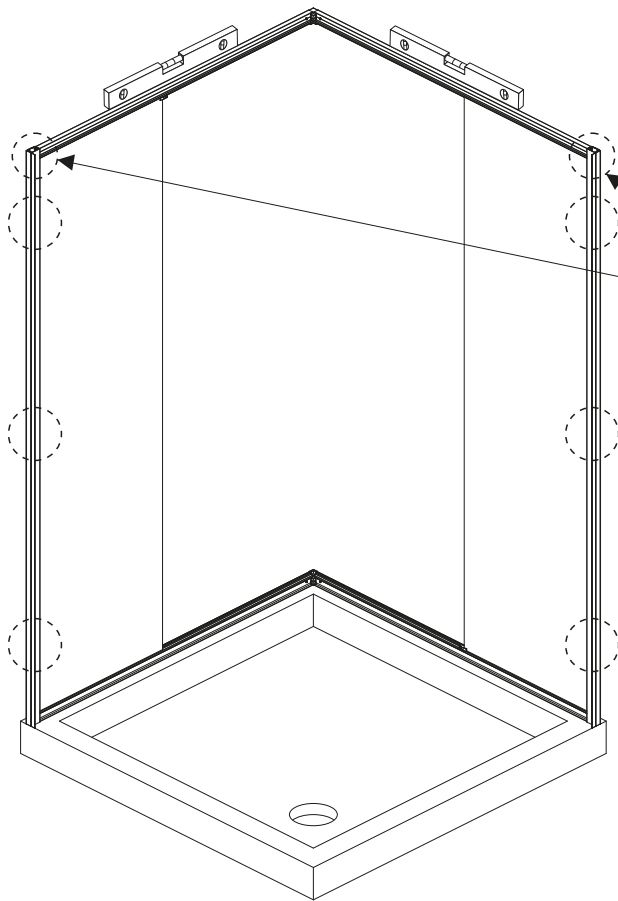
Step 7



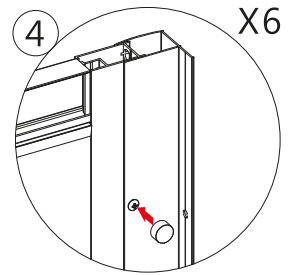
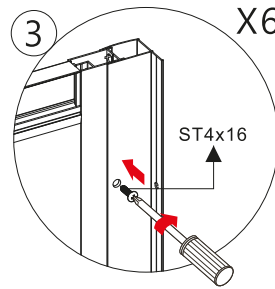
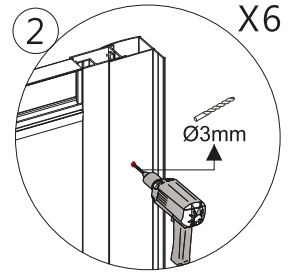
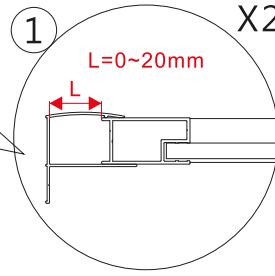
Step 8



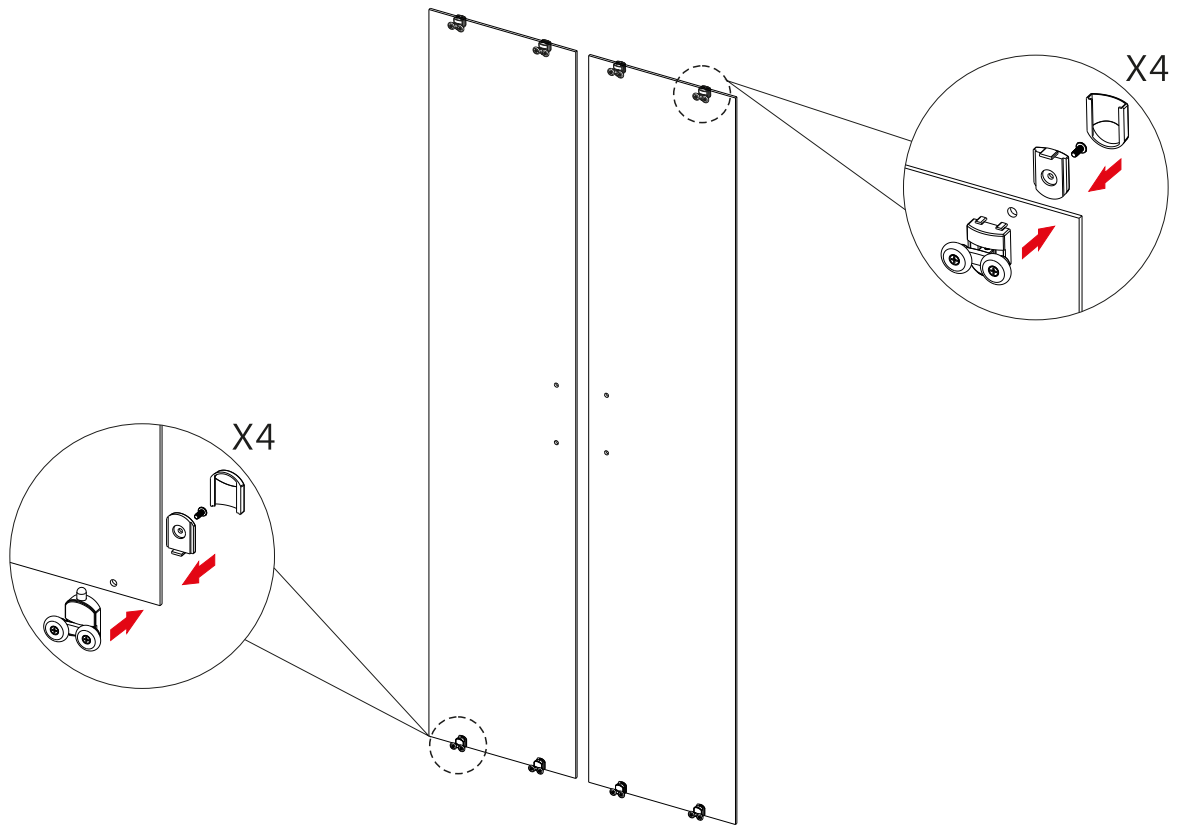
Step 9



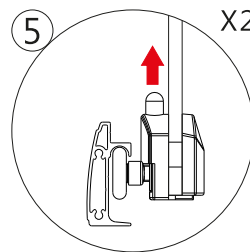
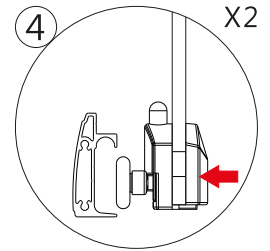
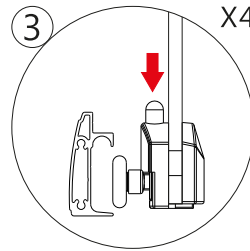
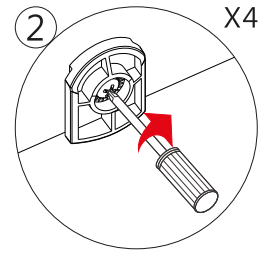
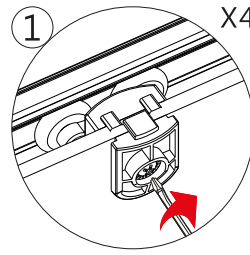
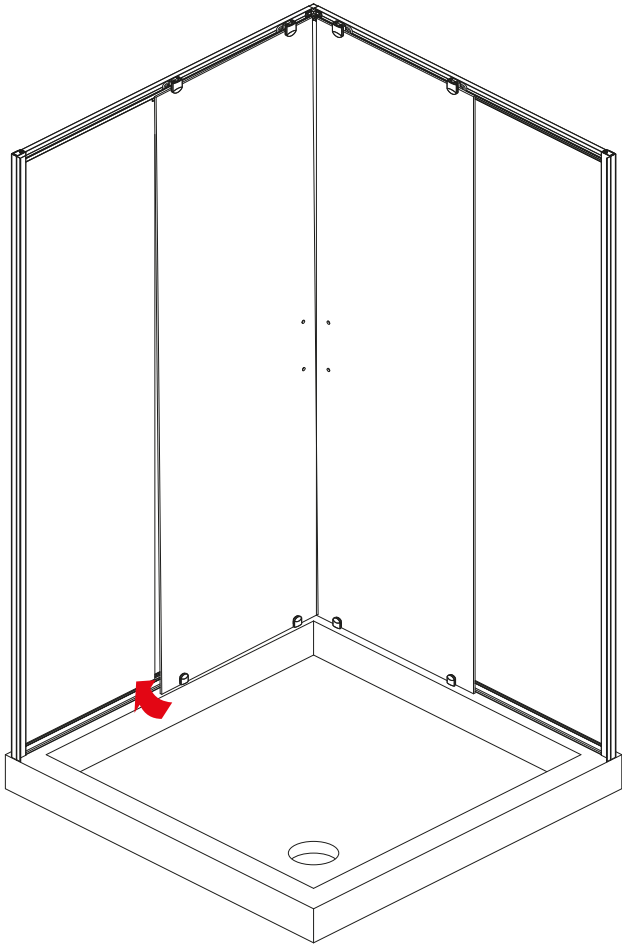
⚠ Take care when drilling to avoid damaging the glass



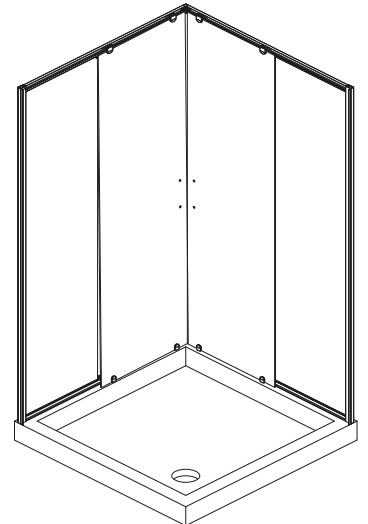
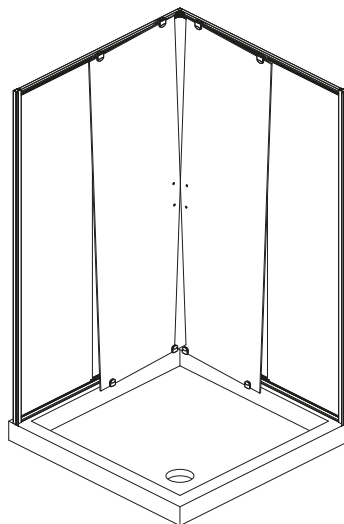
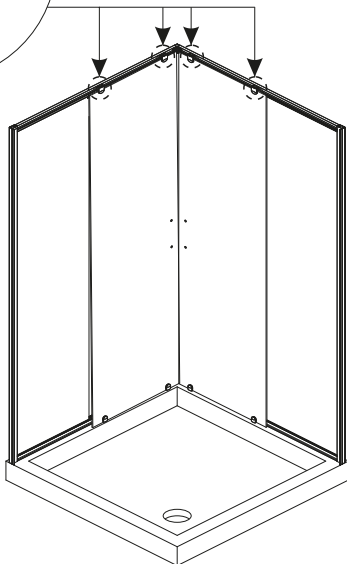
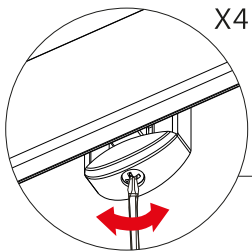
Step 10



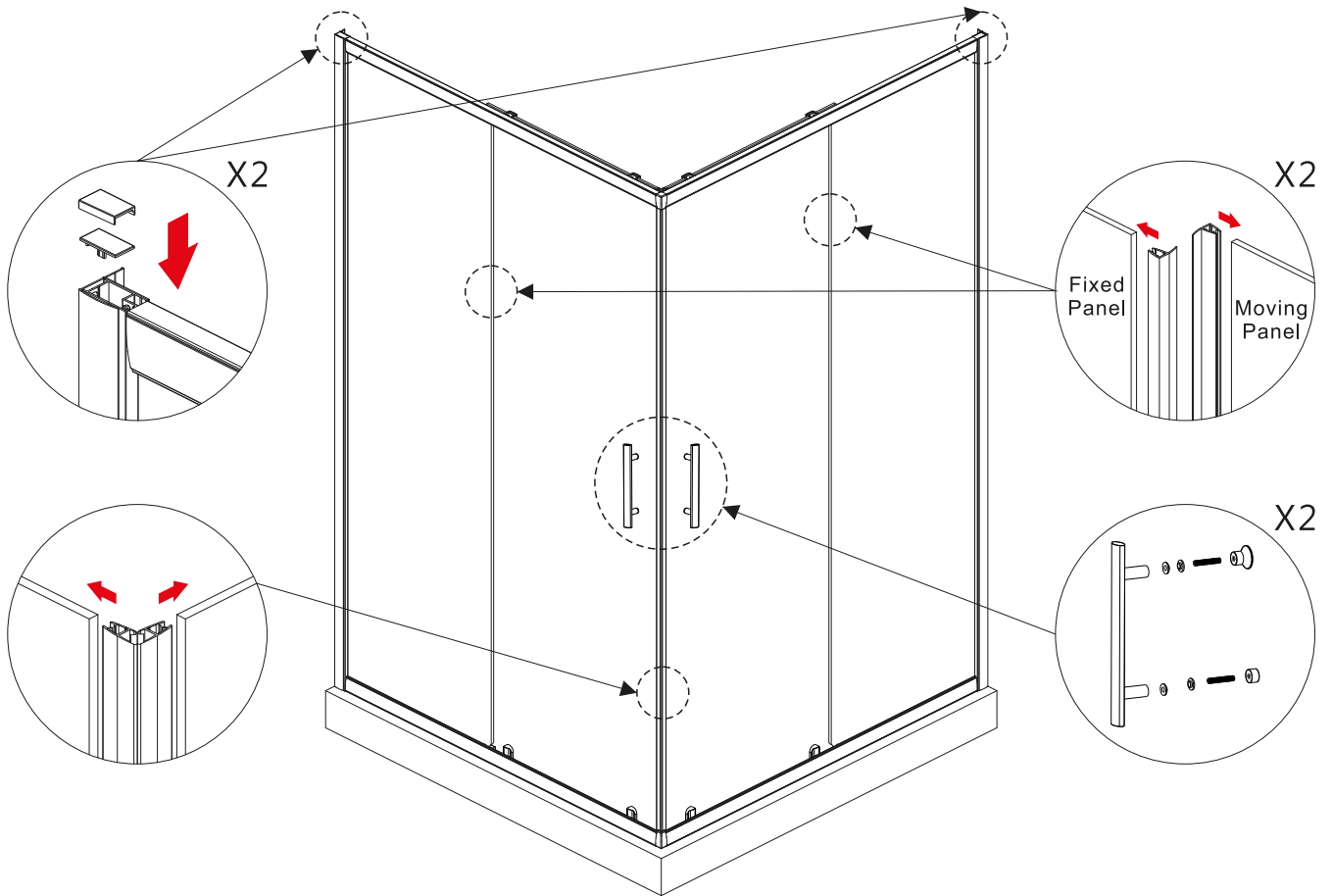
Step 11



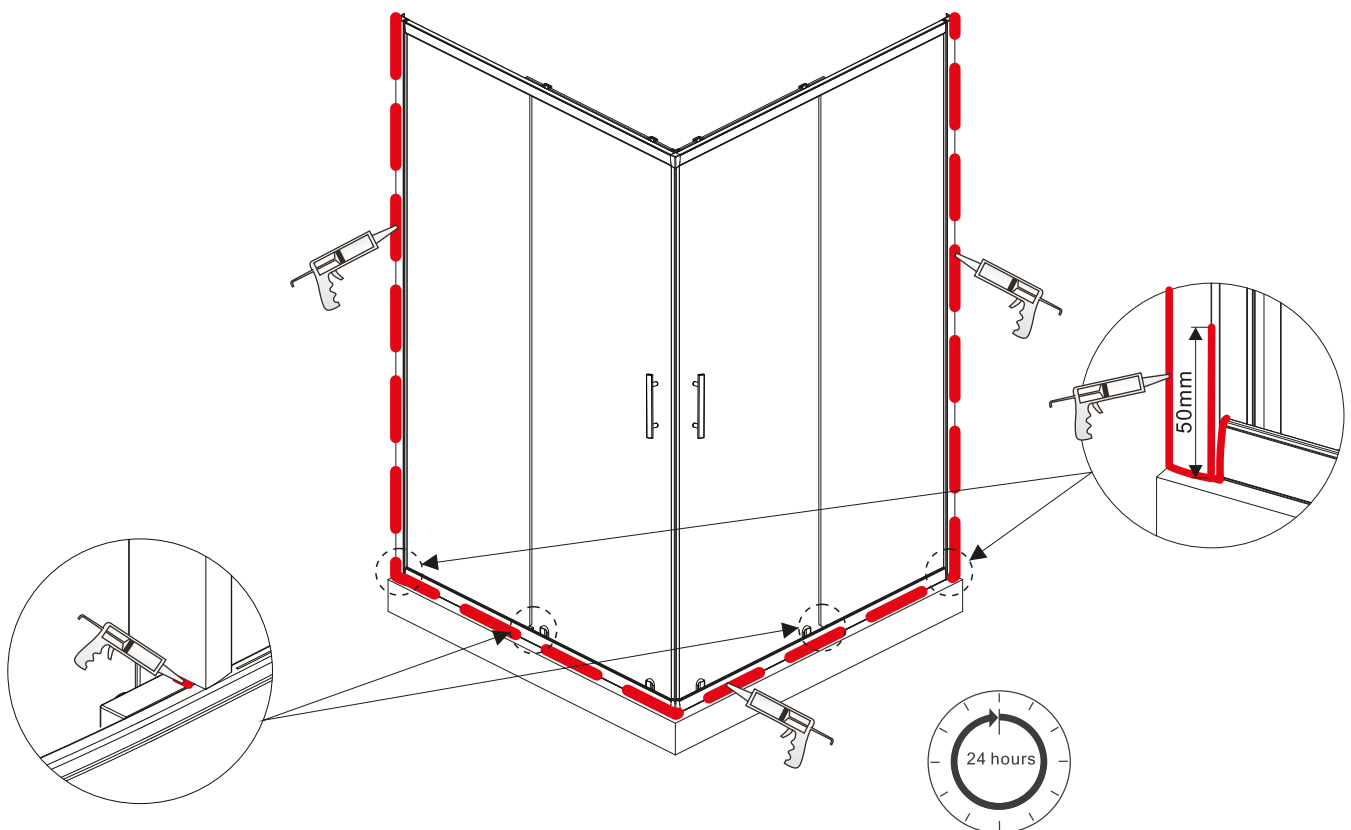
Step 12



Step 13



Step 14



Allow 24 hours for silicone to dry before use. Silicone on the outside edge only, NOT THE INSIDE