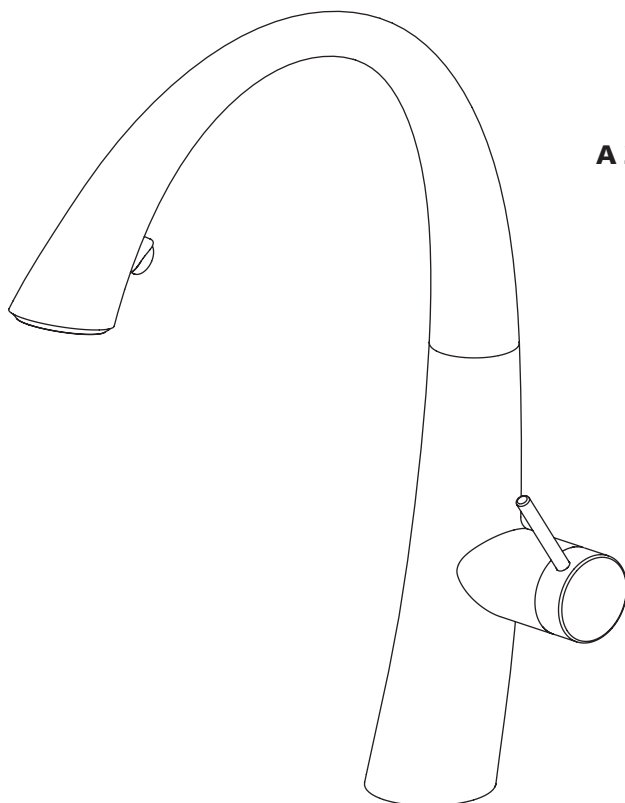



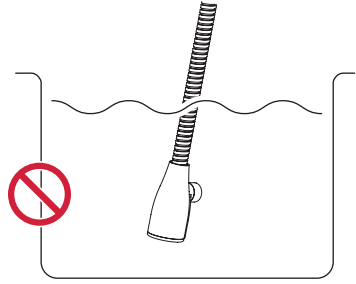
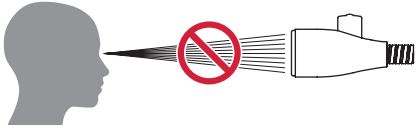
802294

Installation and Service Manual

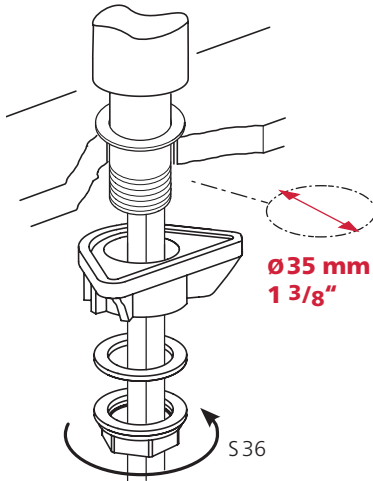


**A 215 LED**  **10.201.122.000**  
**10.201.122.000FL**  
**10.201.122.106**  
**10.201.122.106FL**  
**10.201.122.127**  
**10.201.122.127FL**  
**10.201.122.150**  
**10.201.122.150FL**  
**10.201.122.176**  
**10.201.122.176FL**

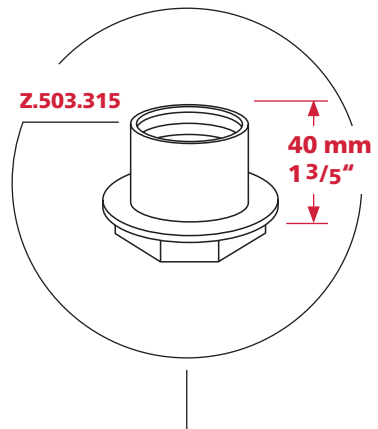
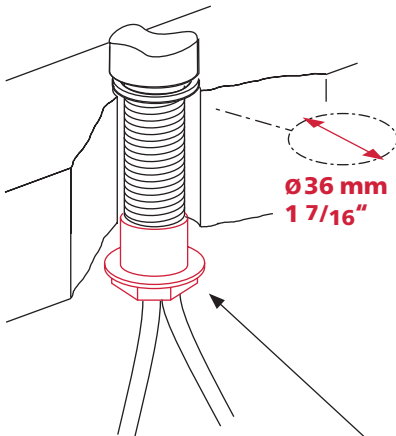
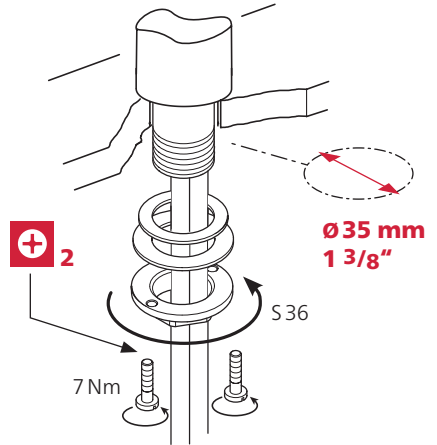
**A 215** **10.201.102.000**  
**10.201.102.000FL**  
**10.201.102.106**  
**10.201.102.106FL**  
**10.201.102.127**  
**10.201.102.127FL**  
**10.201.102.150**  
**10.201.102.150FL**  
**10.201.102.176**  
**10.201.102.176FL**



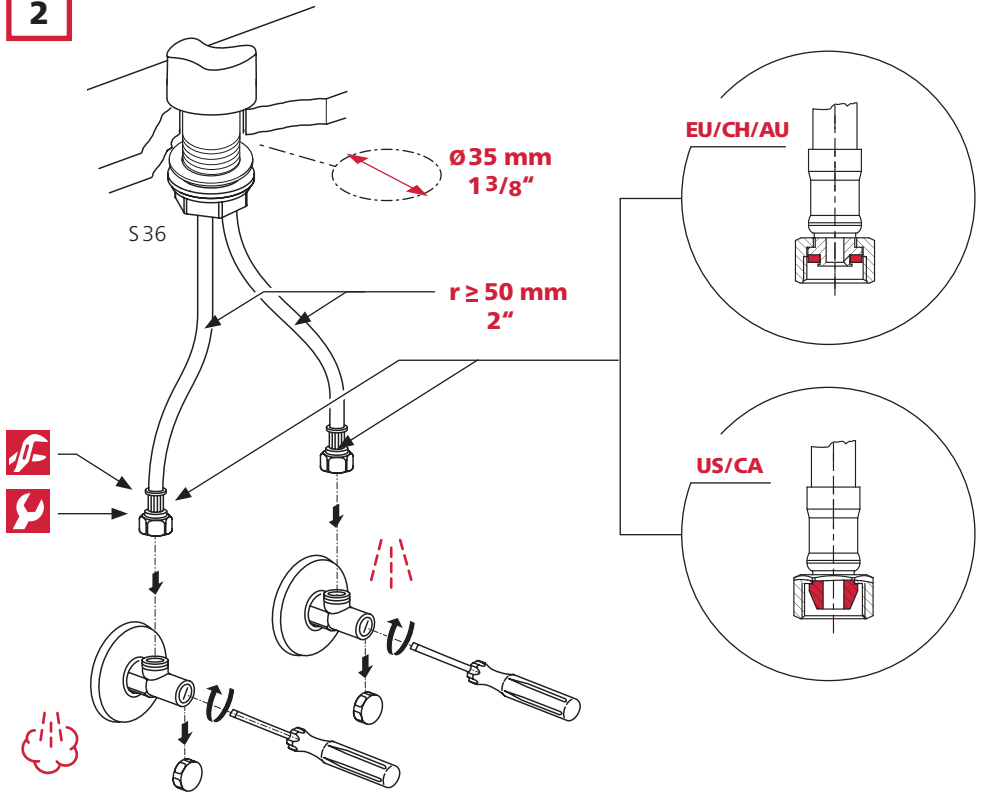
**1**



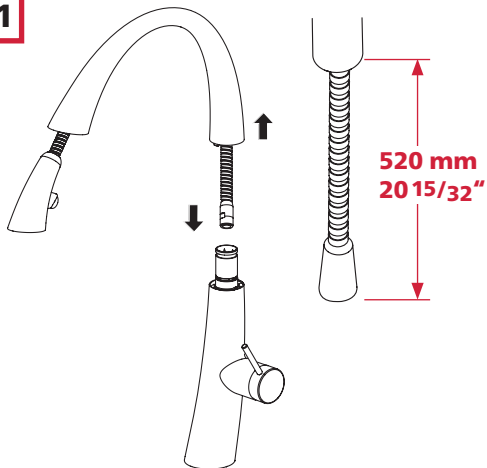
**US/CA:**



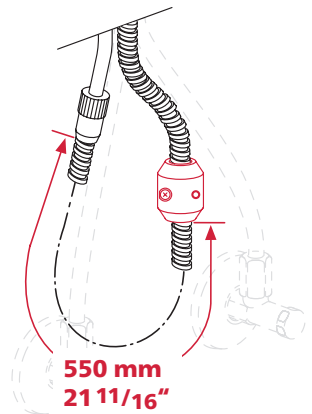
2



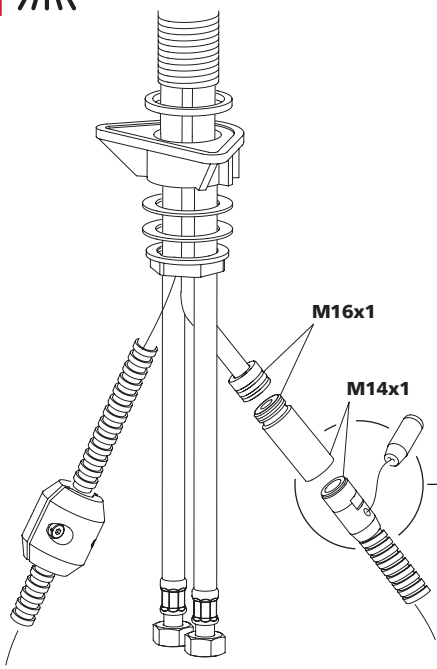
3.1



3.2



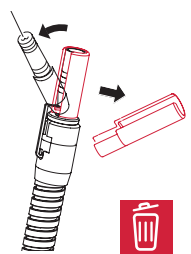
**4.1 LED**



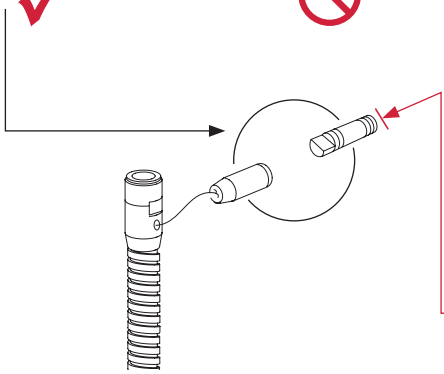
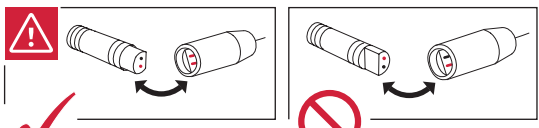
**4.2 LED**



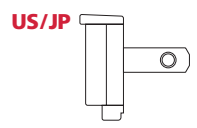
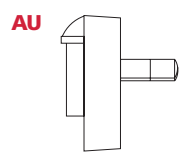
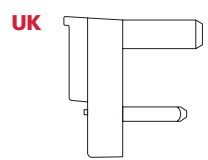
**4.3 LED**



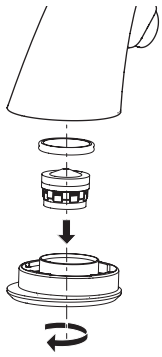
**4.4 LED**



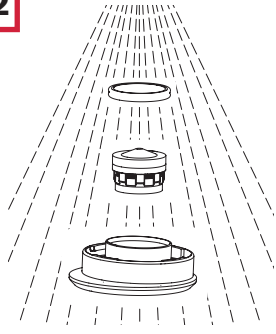
**1100 mm**  
**435/16"**



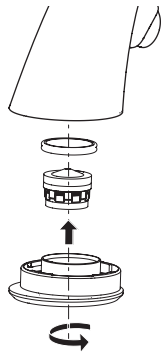
**5.1**



**5.2**



**5.3**





### Installation

The product may only be installed by a qualified plumber.

Observe the local installation regulations and any country specific standards at all time.

### Operating Data

|                               |       |
|-------------------------------|-------|
| Ideal operating pressure      | 3 bar |
| Maximum operating pressure    | 5 bar |
| Minimum operating pressure    | 1 bar |
| Equal pressure is recommended |       |

|                           |      |
|---------------------------|------|
| Ideal water temperature   | 60°C |
| Maximum water temperature | 70°C |

### Environmental conditions

No cleaning agents or chemicals should be stored in the immediate vicinity of faucets and connection hoses.

Leaking vapors can damage the faucet and connection hoses.

### Spare Parts

Only original spare parts may be used.



### Flush Pipes

Flush the pipes according to the applicable standards before mounting the faucet.



### General Cleaning Instructions

Faucet surface must be of room temperature before cleaning. Evaluated temperature increases damage of the surface. Cleaning instructions of the detergent manufacturer must be followed.

#### - Maintenance

Rub the faucet daily dry with a soft cloth. Never use corrosive cleaners or cleaning pads.

#### - Cleaning

Dirt or calcium deposits on the faucet surface must be removed with soft detergent or with soap water. Rinse well with water immediately after cleaning, until all detergent is removed from the surface. Dry with soft cloth.



### Periodic Checks

For safety reasons, the connection and shower hoses must be checked periodically for the following:

#### - Watertightness

Damp or dripping hoses must be replaced.

#### - Corrosion

Hoses with rusty or oxidized surfaces must be replaced.

#### - Mechanical damage

Hoses that show signs of mechanical damage must be replaced.