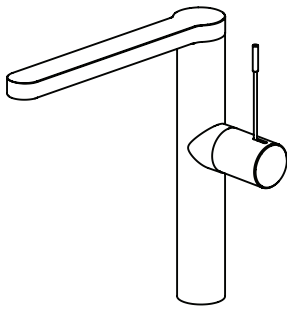




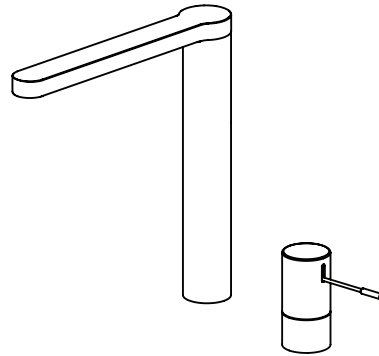
802353

09/12

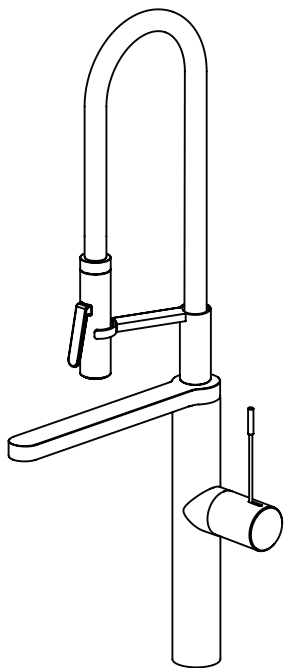
KWC ONO highflex®



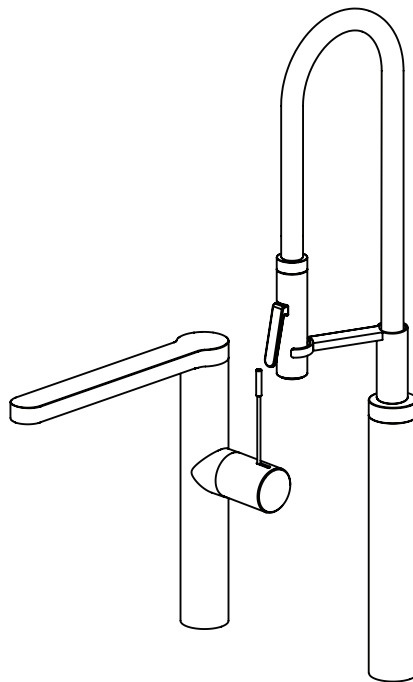
10.151.413.000
10.151.413.700



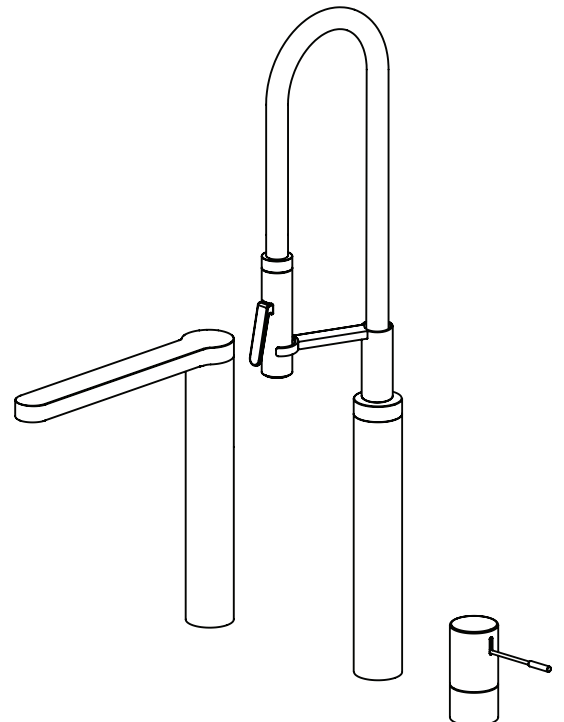
10.152.413.000



10.151.423.000
10.151.423.700



10.152.423.000



10.153.423.000

Operating data

Ideal operating pressure : 3 bar / 45 PSI / 300 kPa
Max. operating pressure : 5 bar / 70 PSI / 500 kPa
Min. operating pressure : 1 bar / 14.5 PSI / 100 kPa
Equal pressures are recommended.
Ideal water temperature : 60 °C (140°F)
Max. water temperature : 80 °C (180°F)

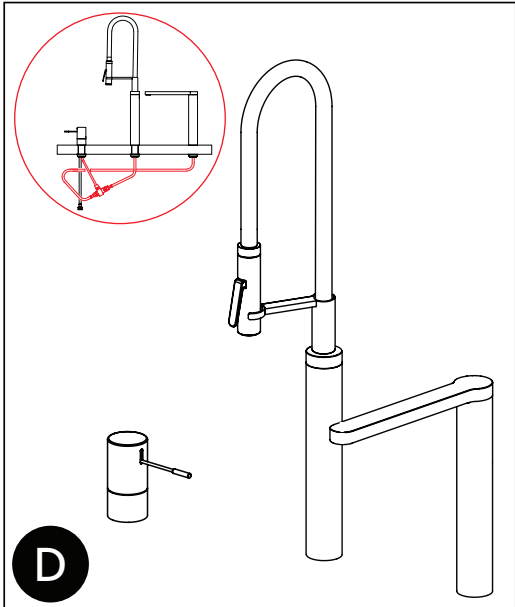
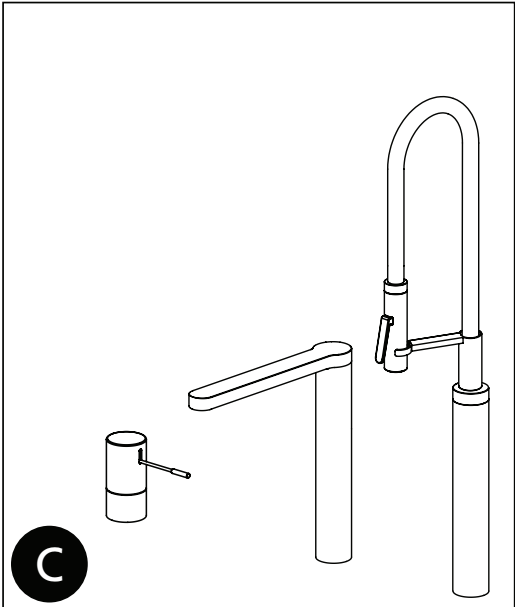
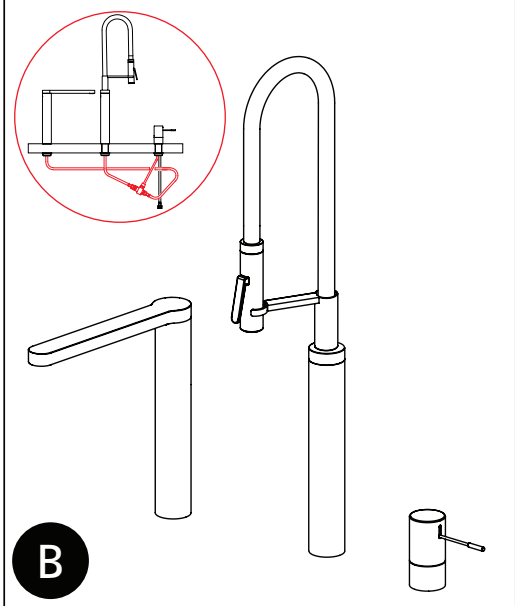
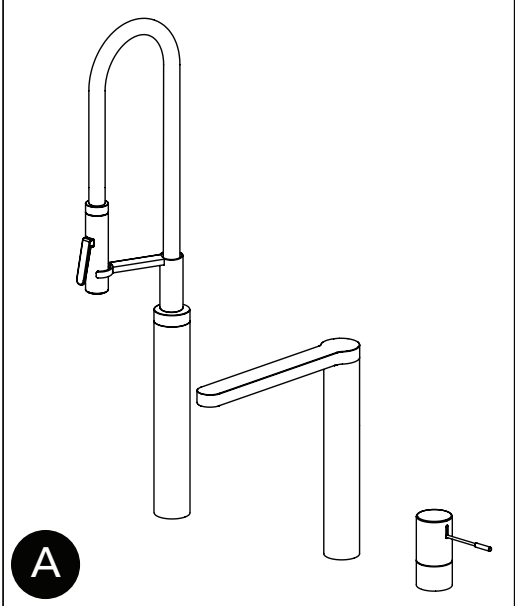
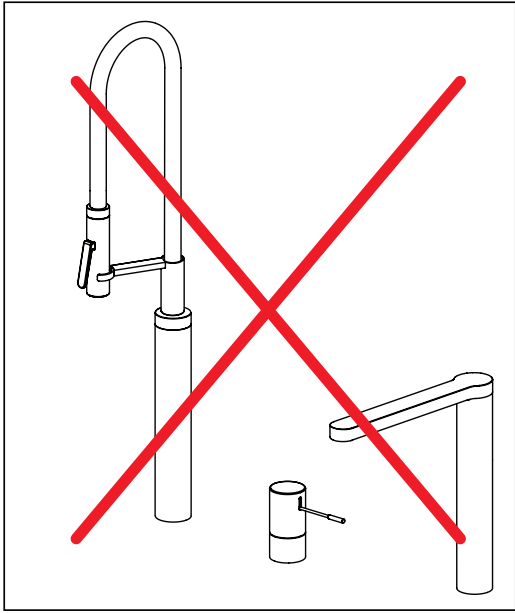
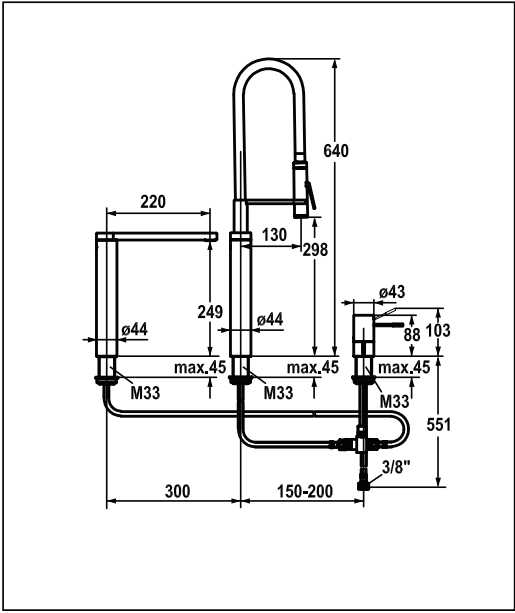


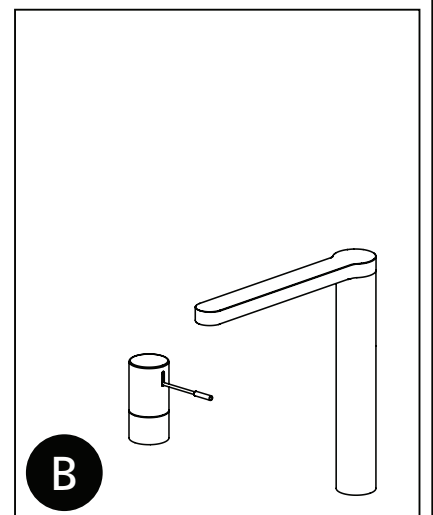
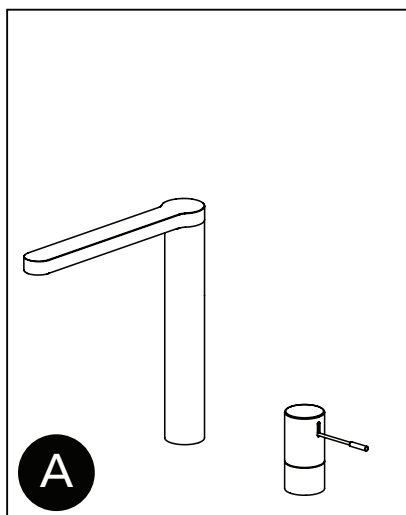
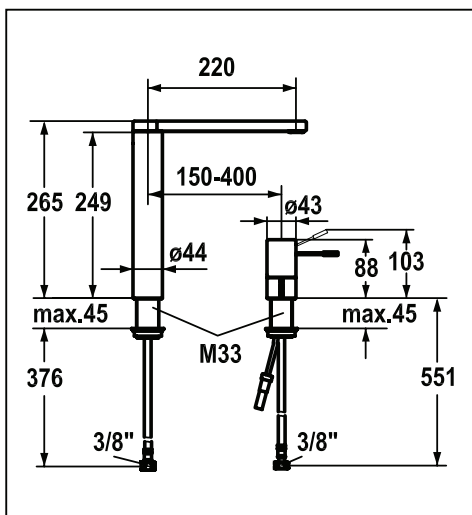
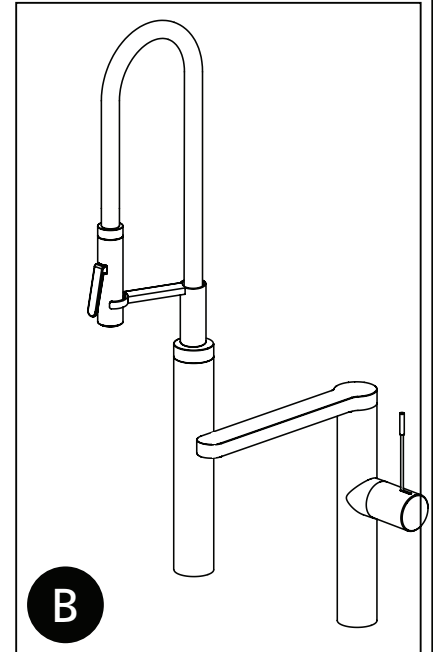
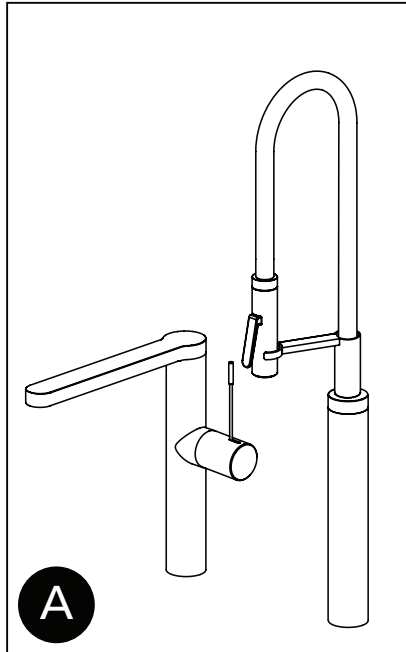
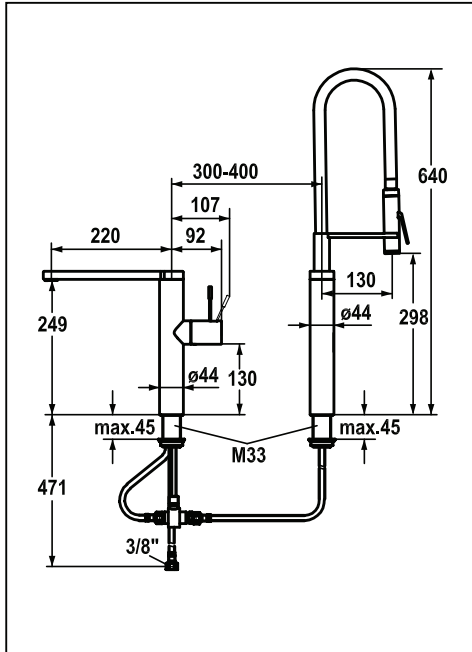
Attention:
Flush pipes thoroughly before
installation!

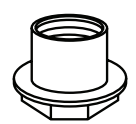
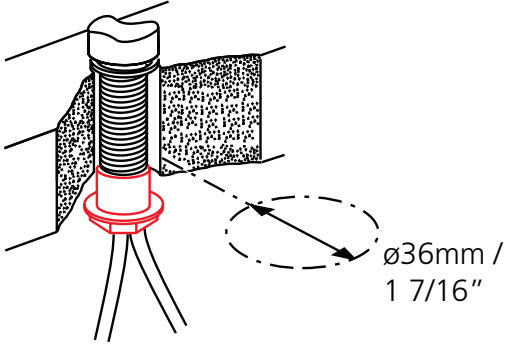
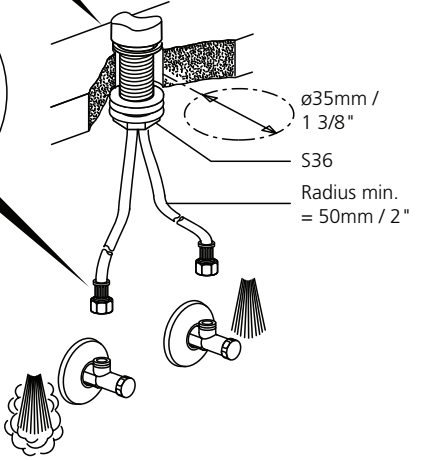
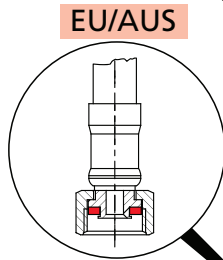
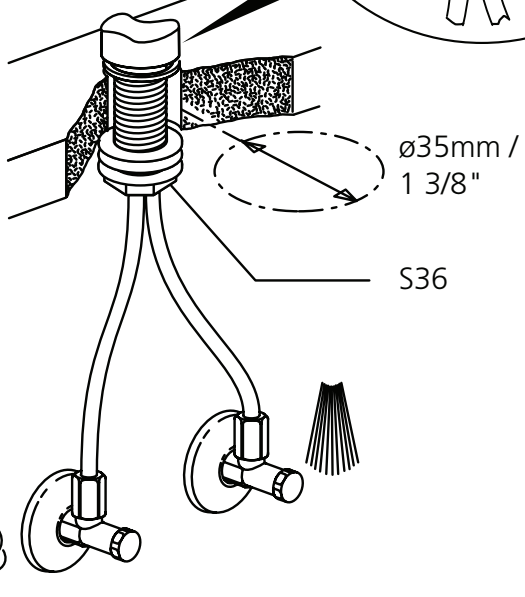
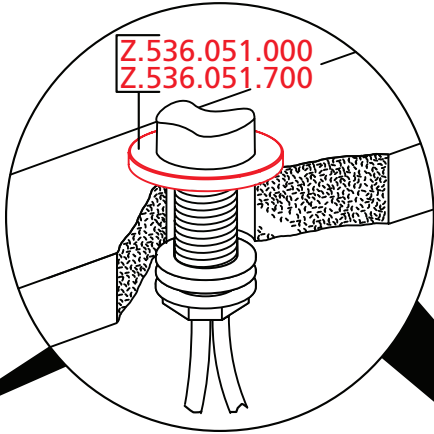
For further information refer to our detailed sales literature.

E Damages on the faucet resulting from incorrect handling are excluded from the manufacturers warranty!





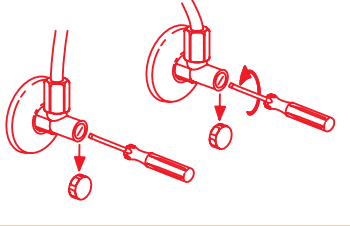




Extension nut L= 40mm / 1 1/2"

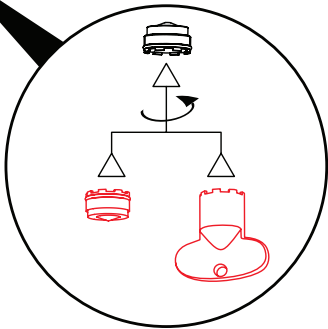
Z.503.315

1

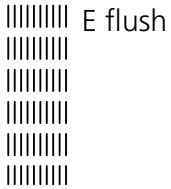


Open cold and hot water.

2

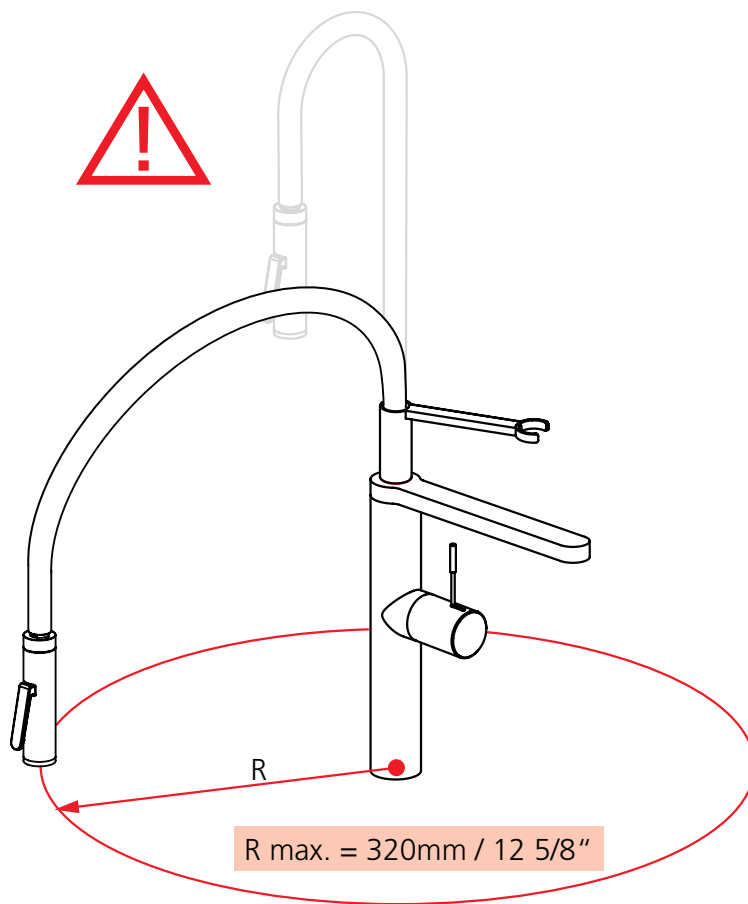
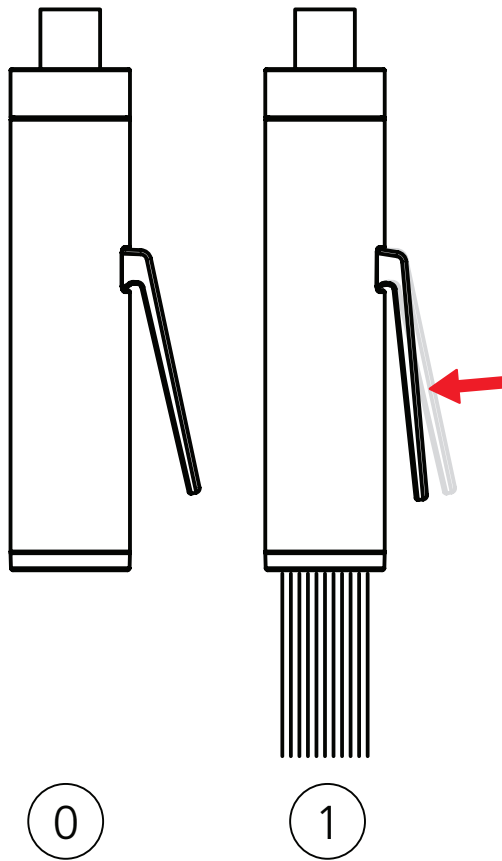


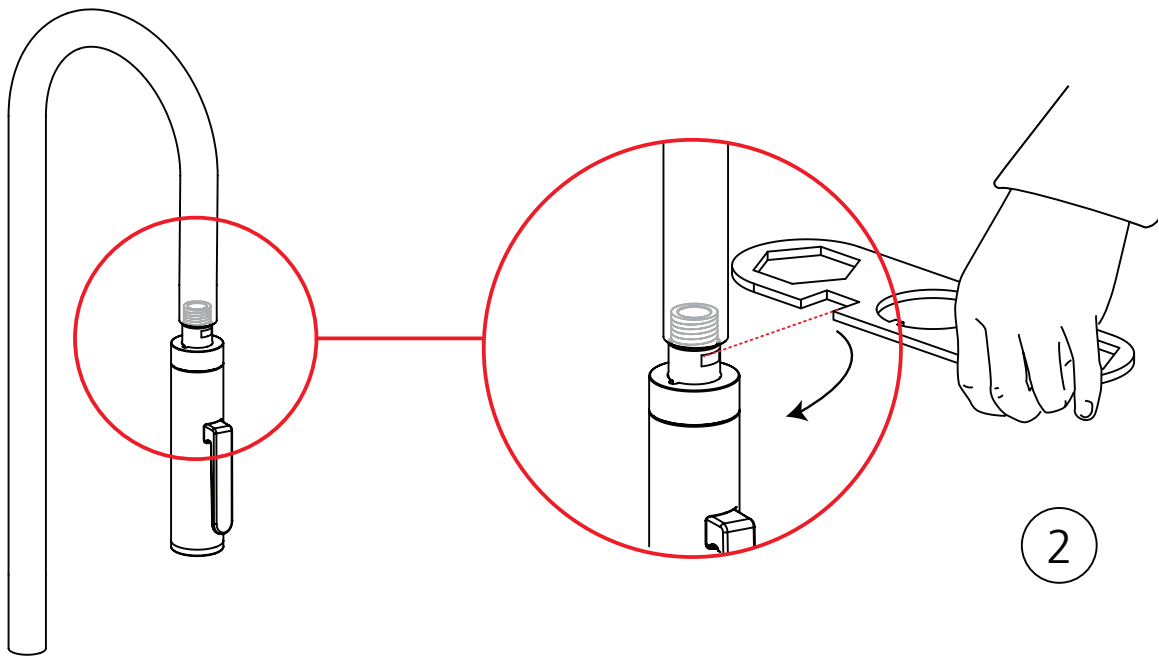
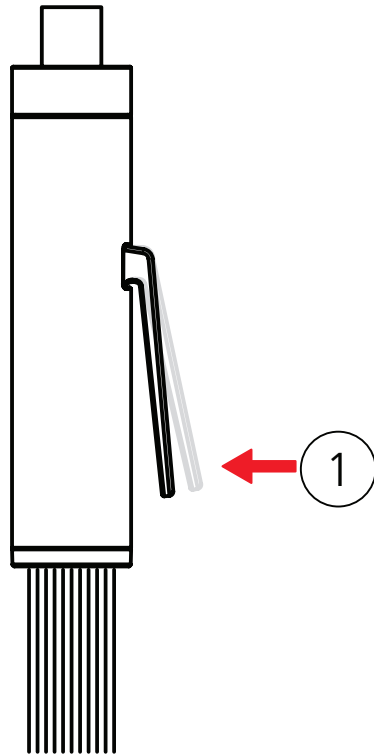
3

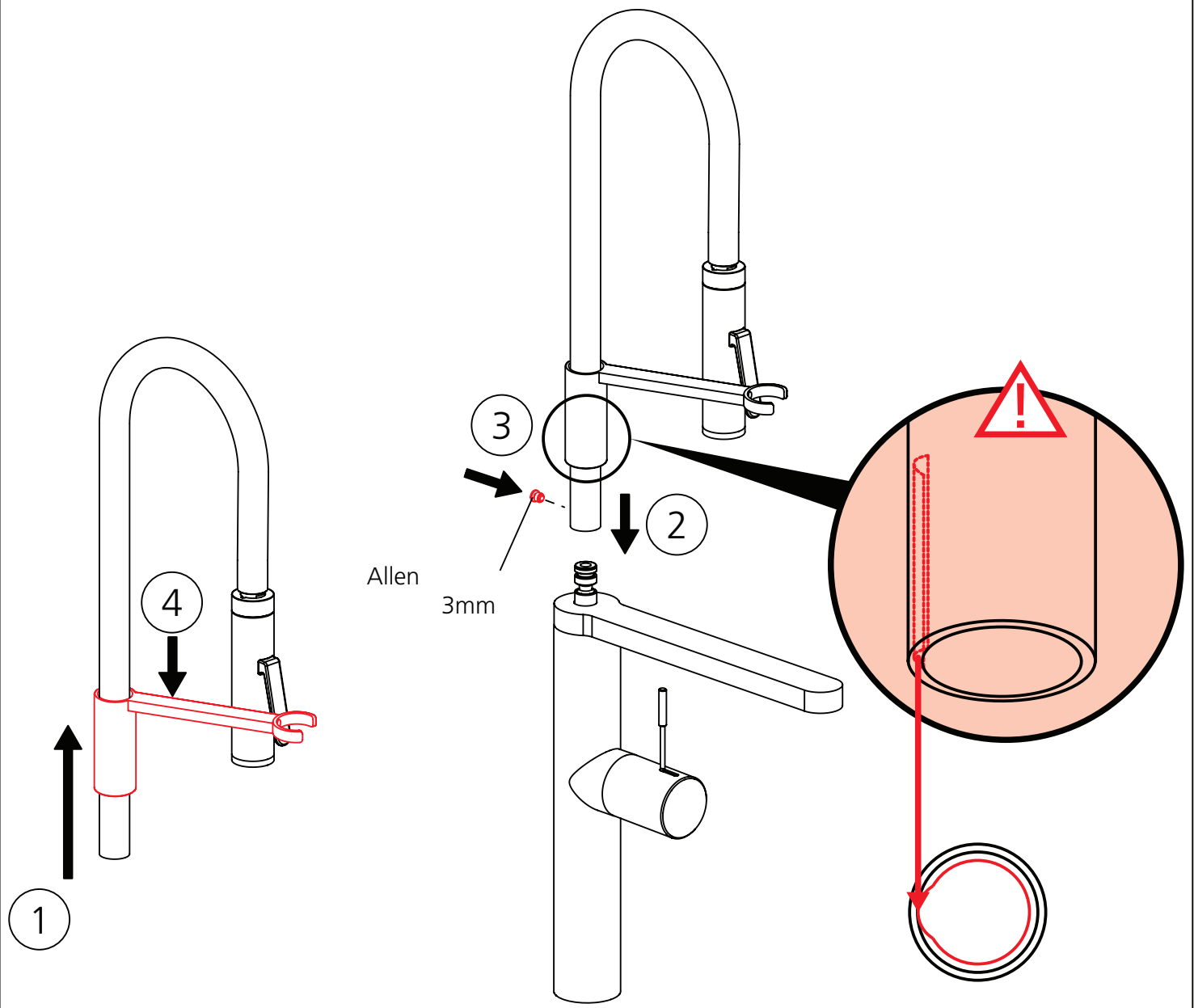
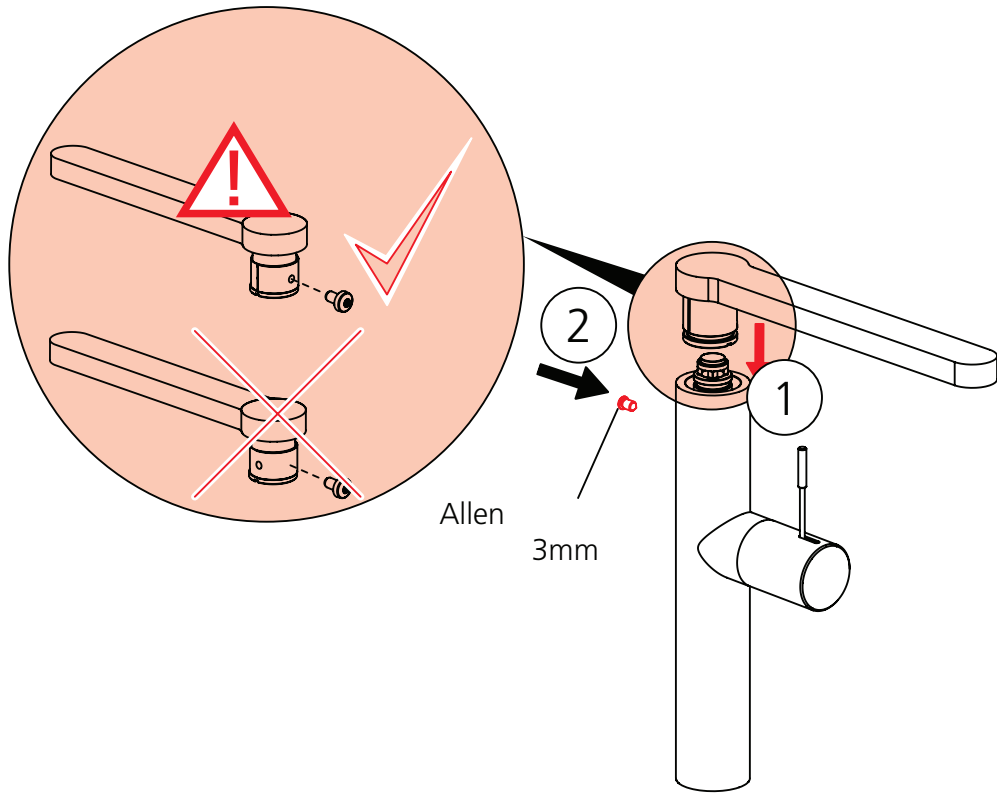


4



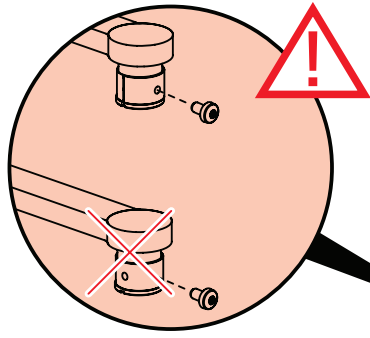






Spare parts

10.151.413.000
10.151.413.700



Z.535.965

Z.535.966

Z.536.042
M24x1

Z.635.276

Z.534.836 10 Nm +/- 1 Nm

Z.635.276.700

Z.536.051.000
Z.536.051.700

Z.634.912
SW 32

Z.536.288

Z.634.938.700

Z.535.991.000
Z.535.995.700

Z.535.664.000
Z.535.664.700

Z.532.241

Z.535.967

ø 10 mm

Z.535.967

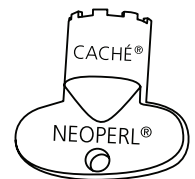
Z.532.241

M10

Z.535.651
L 550 mm

3/8"

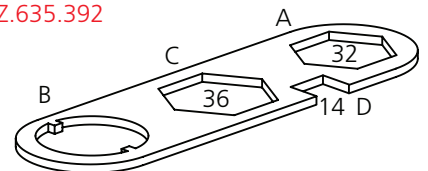
M24x1
Z.635.231



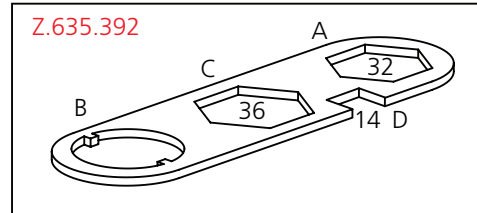
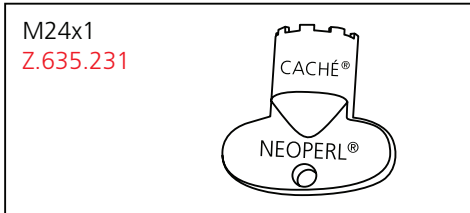
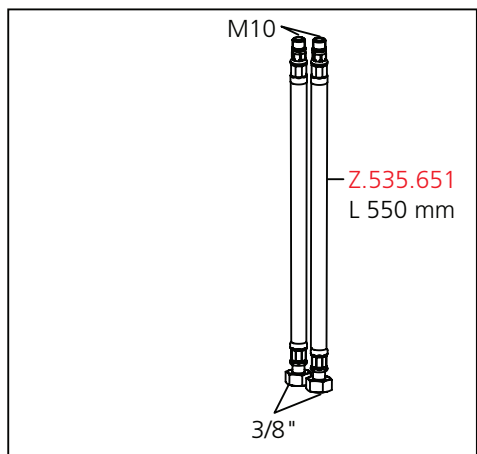
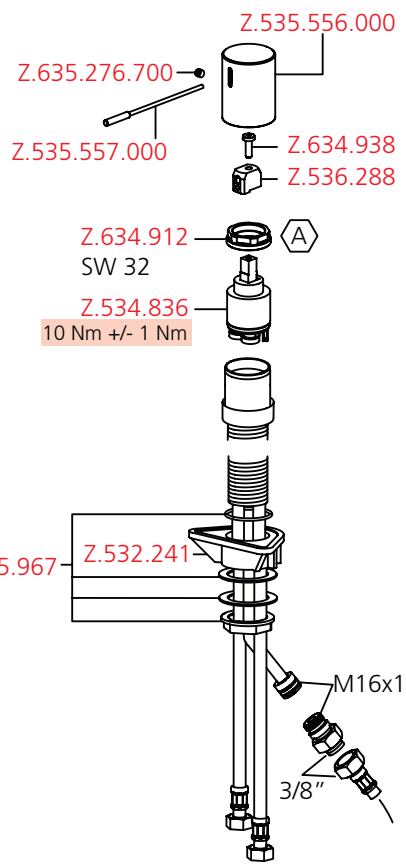
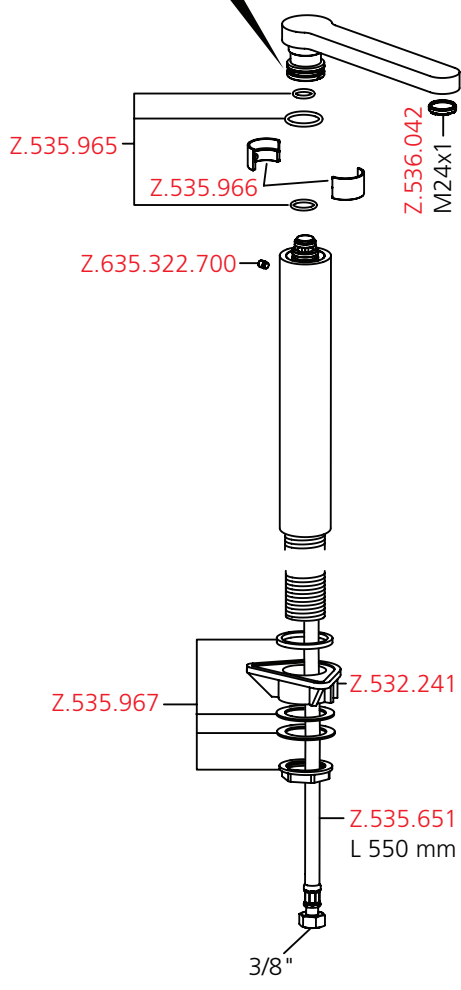
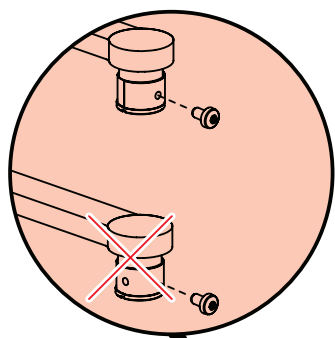
Adapter 3/8" x 1/2"

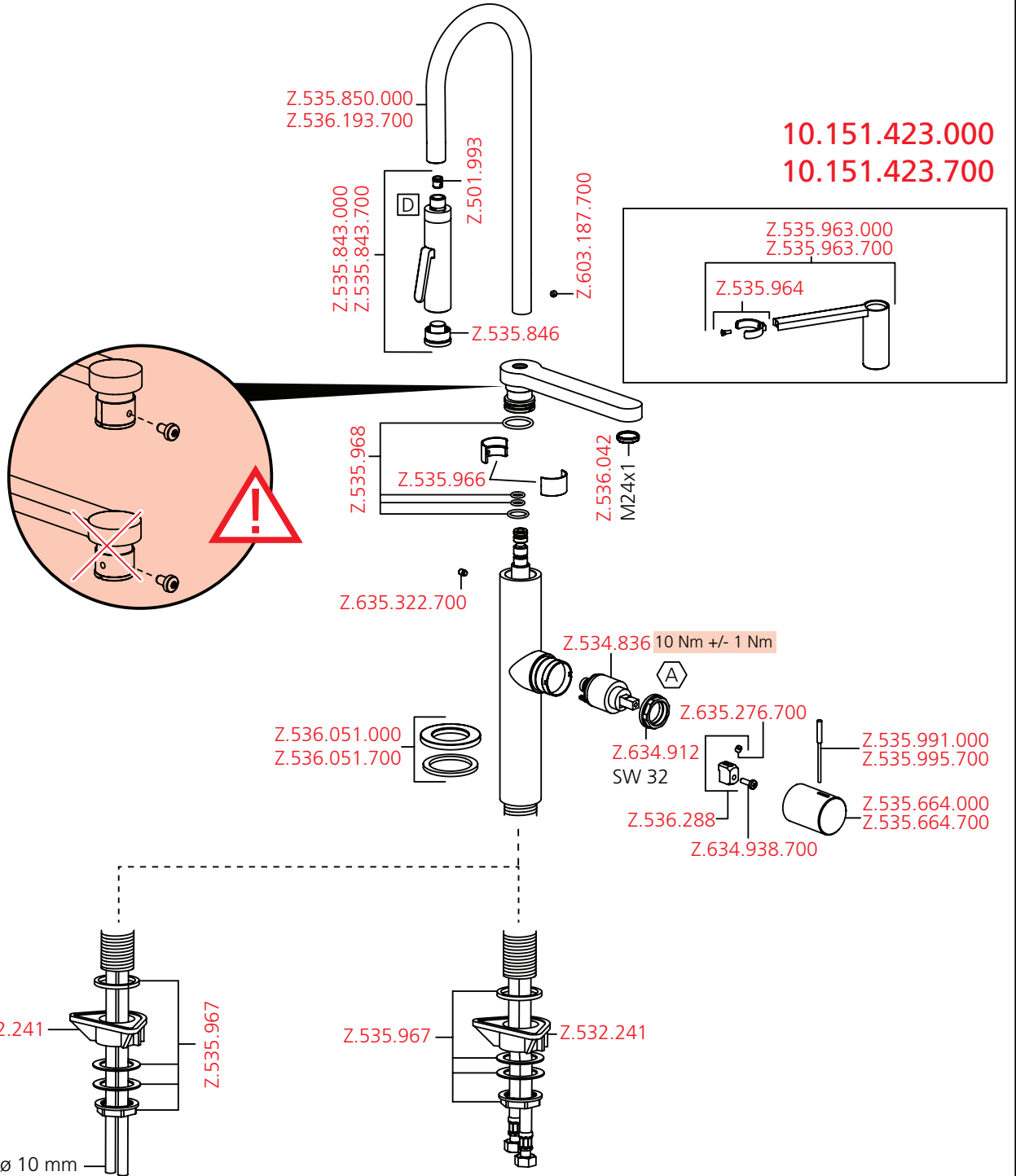
Z.535.739 3/8"
1/2"

Z.635.392

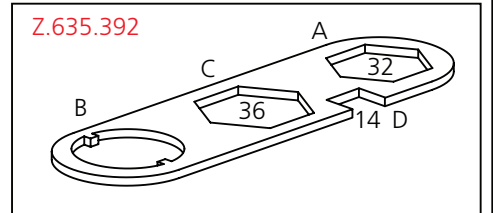
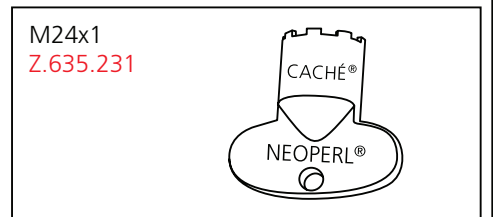
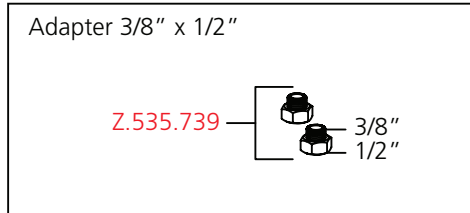
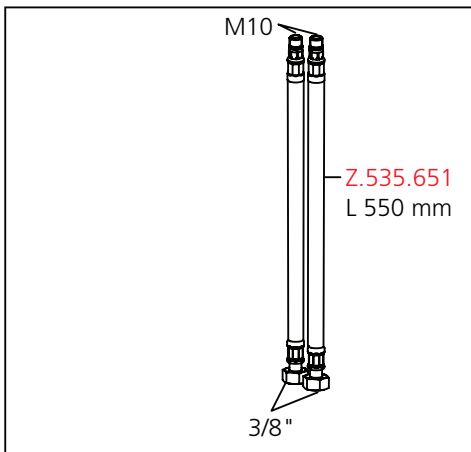
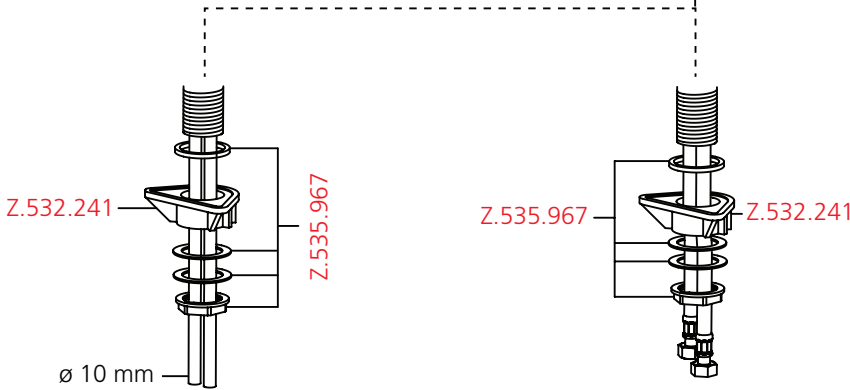
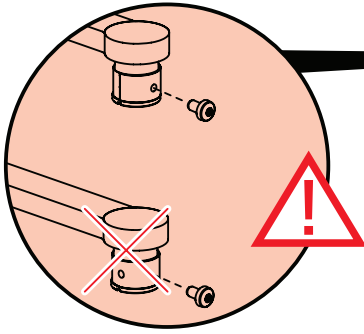
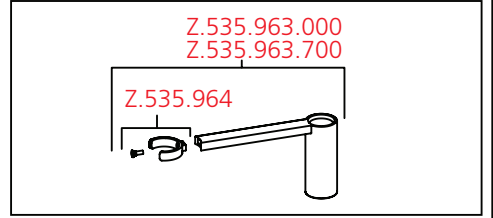


10.152.413.000

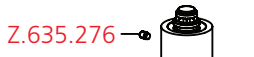
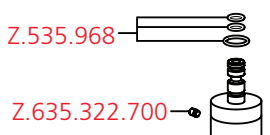
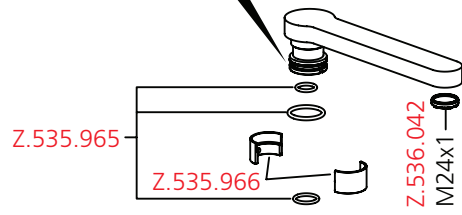
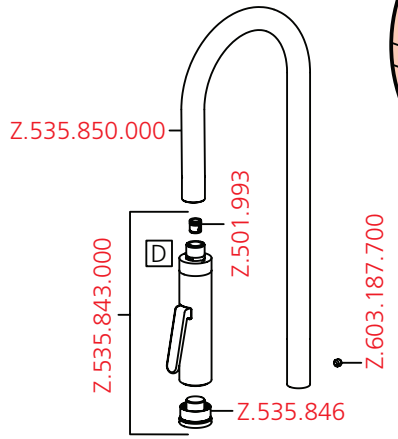
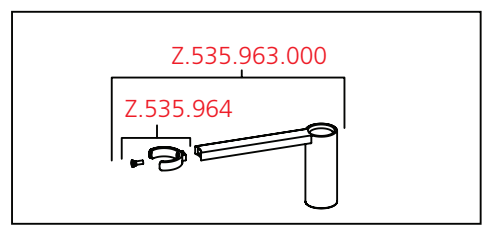
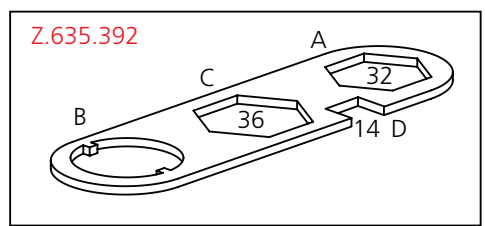
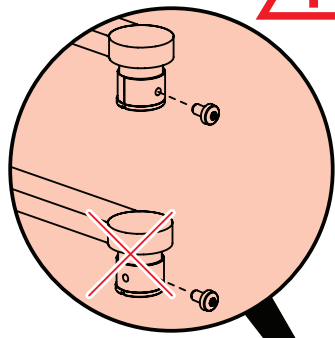




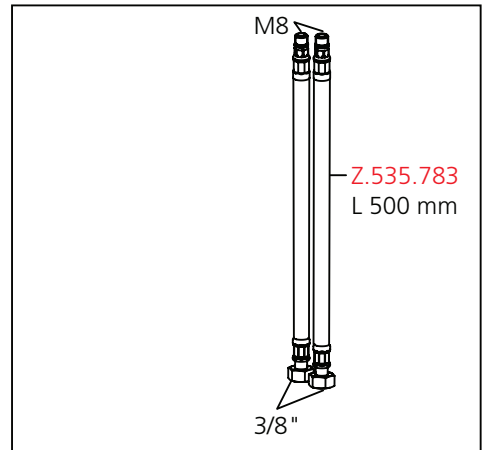
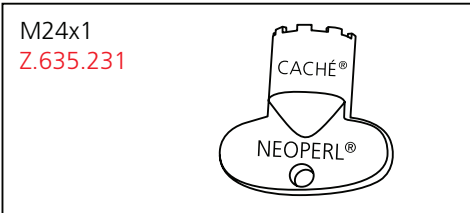
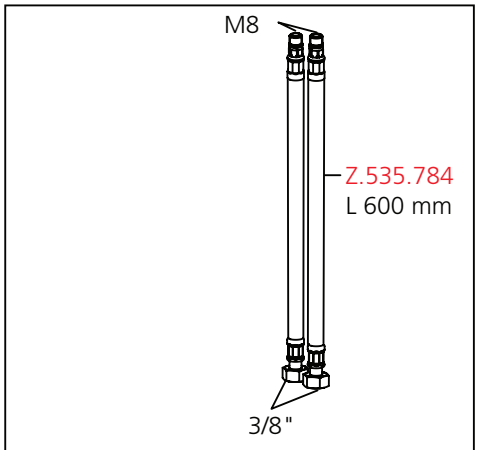
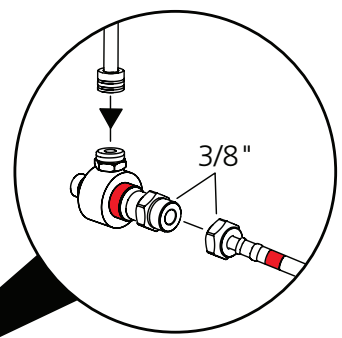
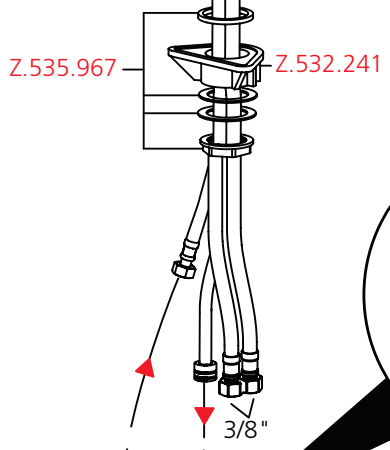
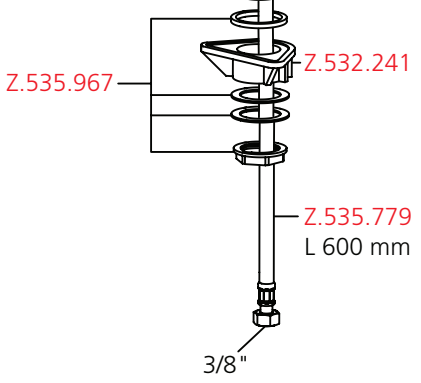
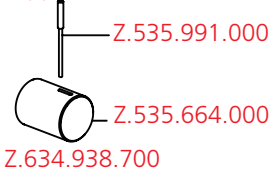
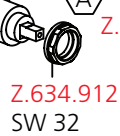
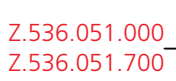
10.151.423.000
10.151.423.700



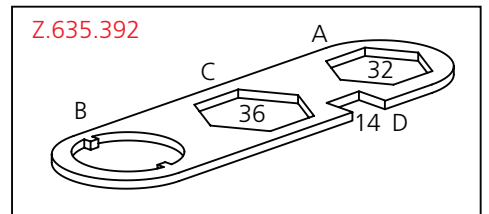
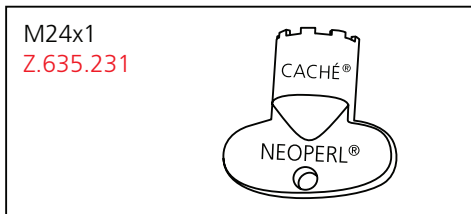
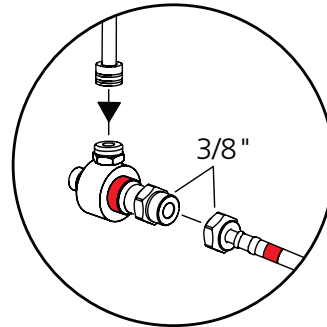
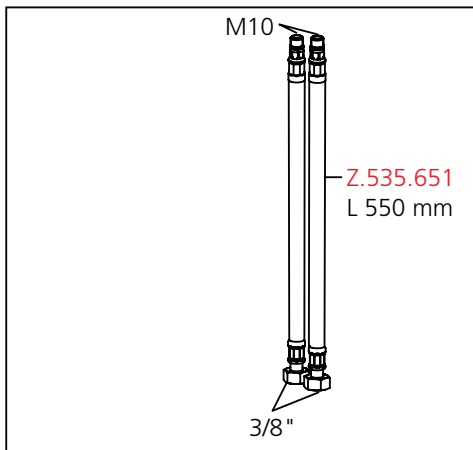
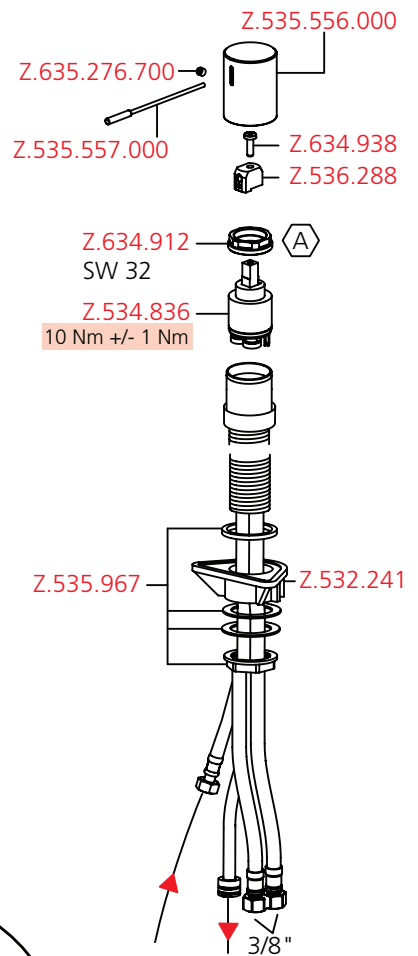
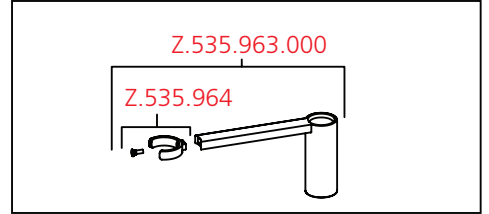
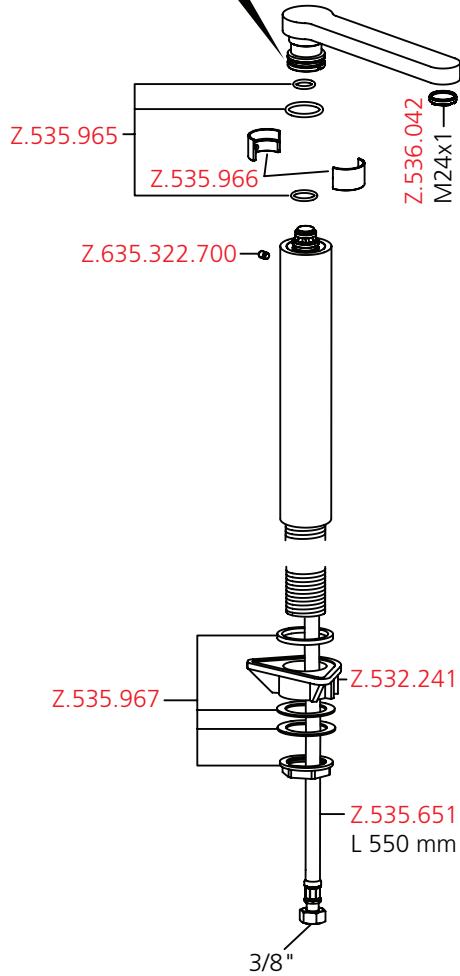
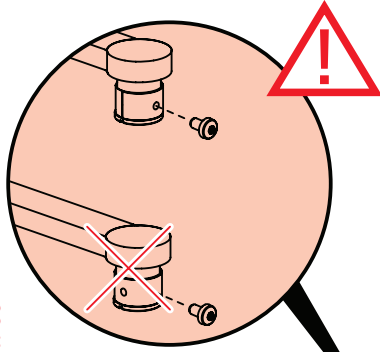
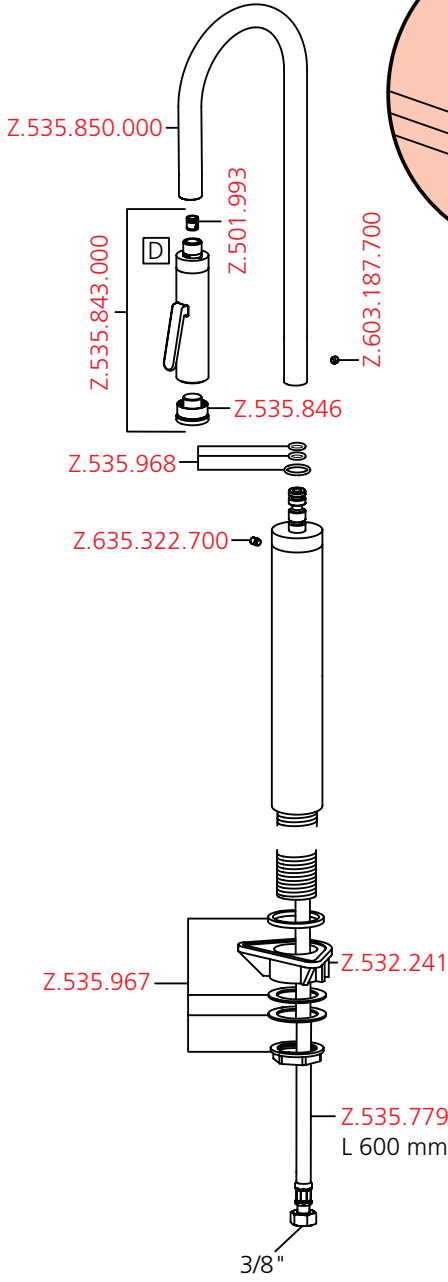
10.152.423.000



Z.534.836 10 Nm +/- 1 Nm



10.153.423.000



General Cleaning Instructions:

- Faucet surface must be of room temperature before cleaning (elevated temperature increases damage of the surface).
- Cleaning instructions of the detergent manufacturer must be followed.

Maintenance:

- Rub the faucet daily dry with a soft cloth.
- Never use corrosive cleaners or cleaning pads.

Cleaning:

- Dirt or calcium deposits on the faucet surface must be removed with soft detergent or with soap water!
- Rinse well with water immediately after cleaning, until all detergent is removed from the surface.
- Dry with soft cloth.

E Damages on the faucet resulting from incorrect handling are excluded from the manufacturer's warranty!

