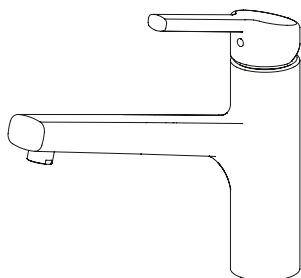


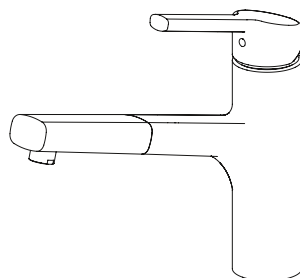
## KWC LUNA E

802470

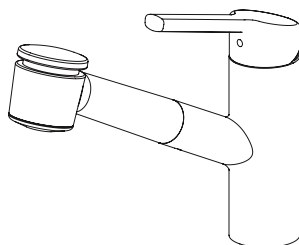
Installation and Service Manual



**10.441.023.\*\*\***  
**10.441.023.\*\*\*FL**  
**10.441.023.127FL**



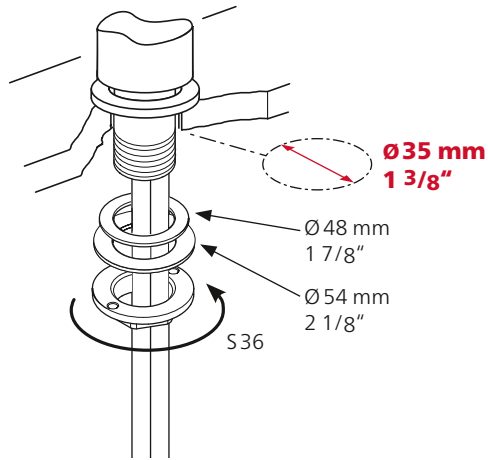
**10.441.113.000**  
**10.441.113.000FL**  
**10.441.113.127**  
**10.441.113.127FL**



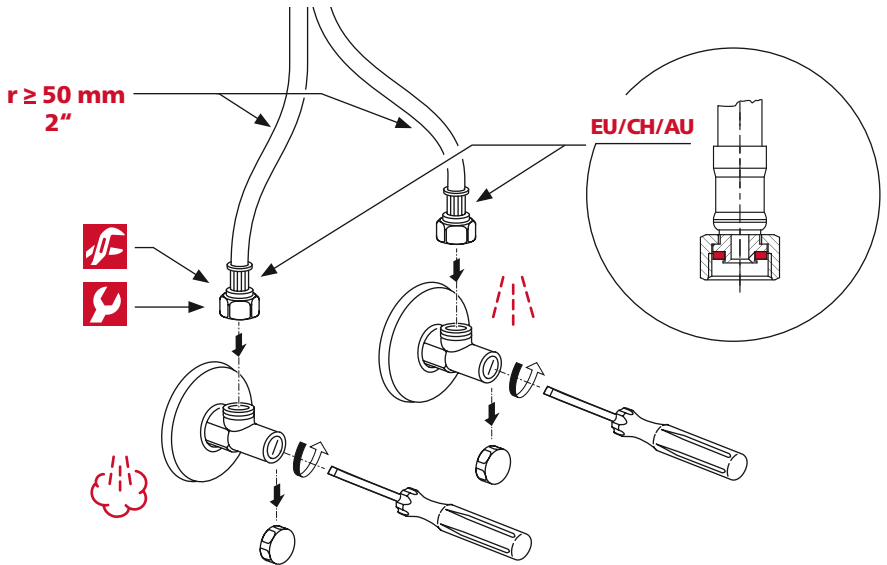
**10.441.033.\*\*\***  
**10.441.033.\*\*\*FL**  
**10.441.033.127**  
**10.441.033.127FL**



1



2



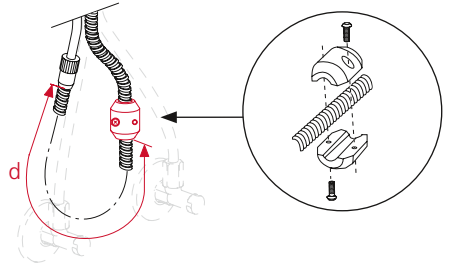
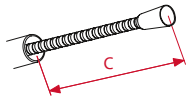


10.441.113.000  
 10.441.113.000FL  
 10.441.113.127  
 10.441.113.127FL

**1**

**c = 490 mm / 19 5/16"**

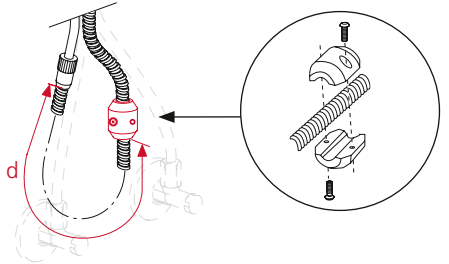
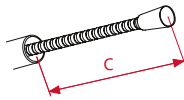
**d = 960 mm / 37 7/8"**



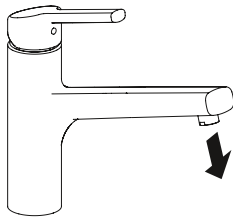
10.441.033.\*\*\*  
 10.441.033.\*\*\*FL  
 10.441.033.127  
 10.441.033.127FL

**c = 460 mm / 18 1/8"**

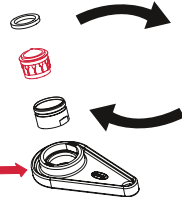
**d = 820 mm / 32 1/4"**



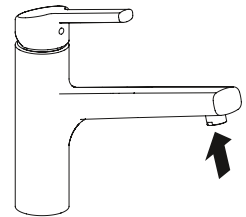
**2.1**



**2.2**



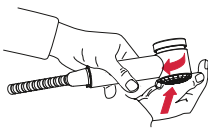
**2.3**



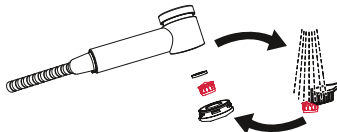
176 matt black



**3.1**



**3.2**



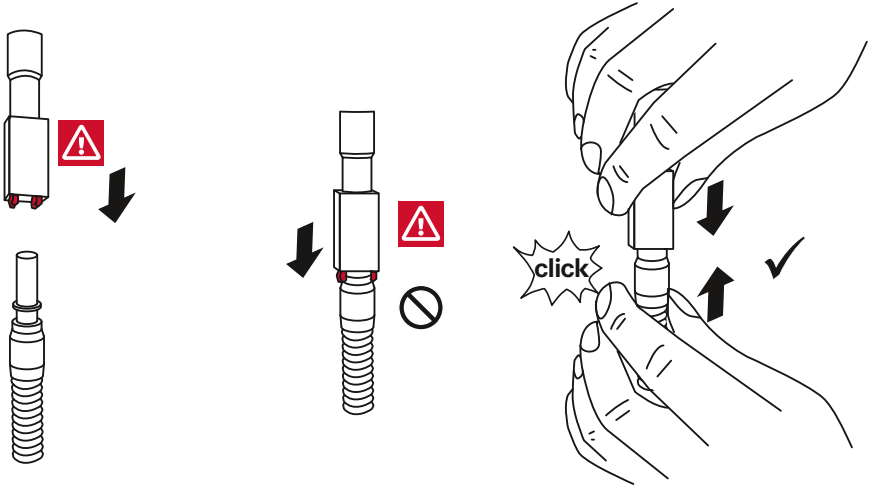
**3.3**



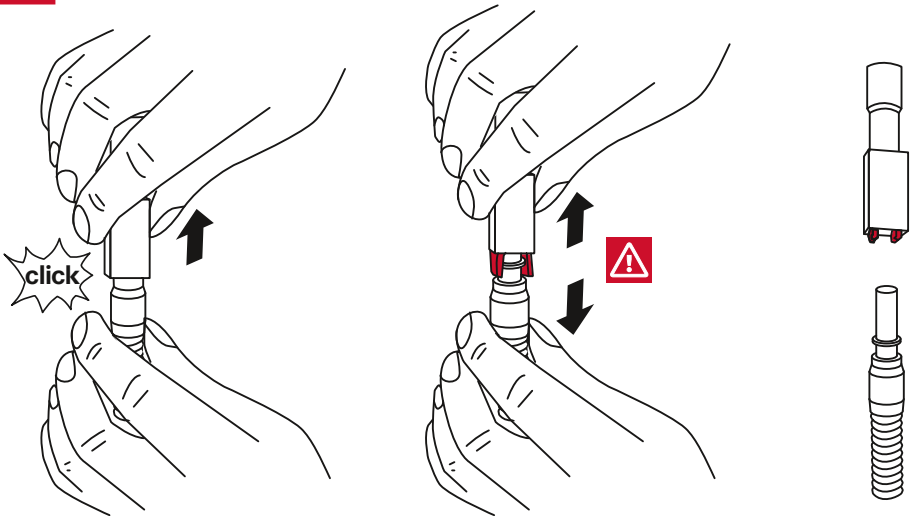


10.441.033.\*\*\*FL

1



2





### Installation

The product may only be installed by a qualified plumber.

Observe the local installation regulations and any country specific standards at all time.

### Operating Data

Ideal operating pressure	3 bar
Maximum operating pressure	5 bar
Minimum operating pressure	1 bar
Equal pressure is recommended	

Ideal water temperature	60 °C
Maximum water temperature	70 °C

### Environmental conditions

No cleaning agents or chemicals should be stored in the immediate vicinity of faucets and connection hoses.

Leaking vapors can damage the faucet and connection hoses.

### Spare Parts

Only original spare parts may be used.



### Flush Pipes

Flush the pipes according to the applicable standards before mounting the faucet.



### General Cleaning Instructions

Faucet surface must be of room temperature before cleaning. Evaluated temperature increases damage of the surface. Cleaning instructions of the detergent manufacturer must be followed.

#### - Maintenance

Rub the faucet daily drey with a soft cloth. Never use corrosive cleaners or cleaning pads.

#### - Cleaning

Dirt or calcium deposits on the faucet surface must be removed with soft detergent or with soap water. Rinse well with water immediately after cleaning, until all detergent is removed from the surface. Dry with soft cloth.



### Periodic Checks

For safety reasons, the connection and shower hoses must be checked periodically for the following:

#### - Watertightness

Damp or dripping hoses must be replaced.

#### - Corrosion

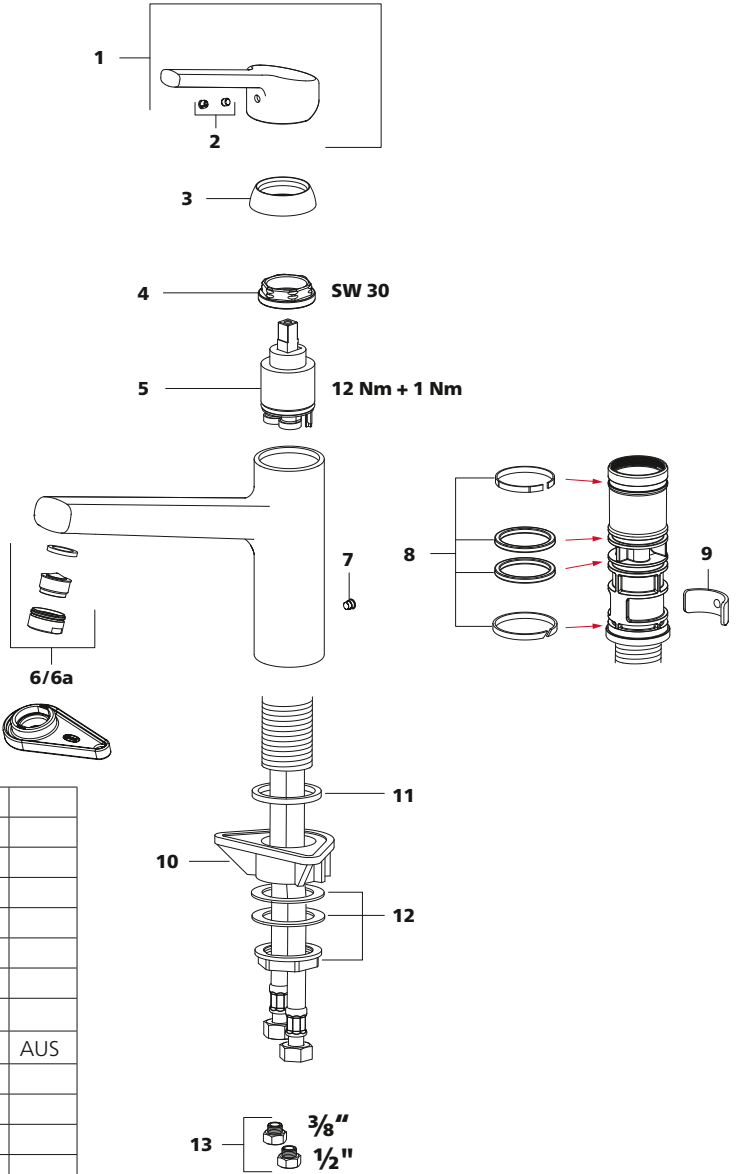
Hoses with rusty or oxidized surfaces must be replaced.

#### - Mechanical damage

Hoses that show signs of mechanical damage must be replaced.



10.441.023.\*\*\*  
 10.441.023.\*\*\*FL  
 10.441.023.127FL

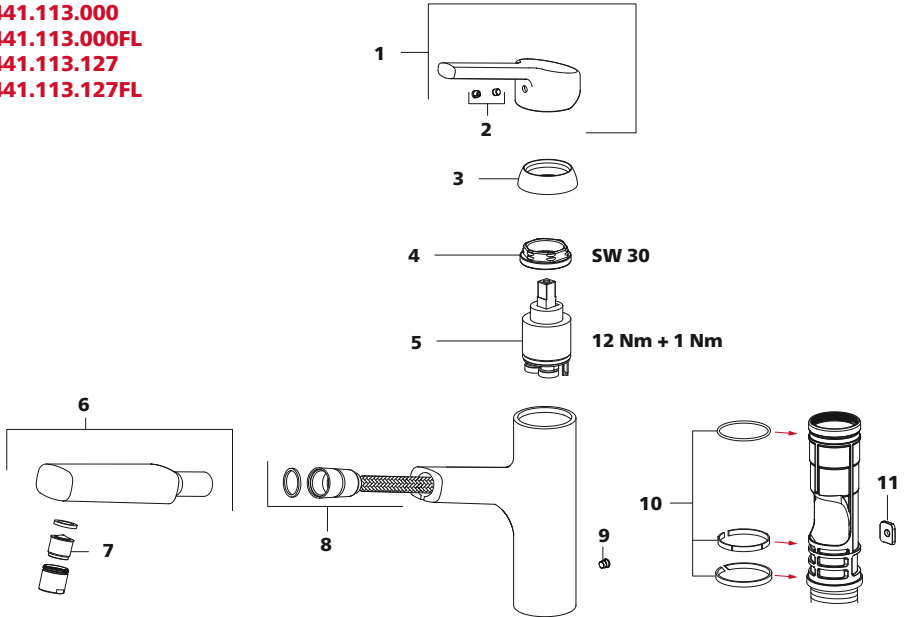


1	Z.537.550.***	
1	Z.537.550.127	
2	Z.535.853	
3	Z.637.405.***	
3	Z.637.405.127	
4	Z.635.599	
5	Z.537.582	
6	K.31.90.01.000A31	
6a	Z.534.720.700	AUS
7	Z.635.220	
8	Z.535.894	
9	Z.635.717	
10	Z.532.241	
11	Z.638.911	
12	Z.538.336	
13	Z.535.739	AUS
14	Z.639.382	

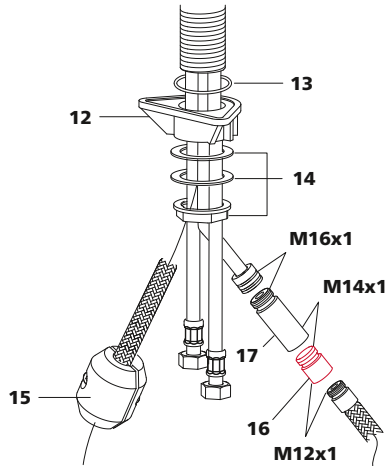
\*\*\* Surface: 000 chrome, 176 matt black



**10.441.113.000**  
**10.441.113.000FL**  
**10.441.113.127**  
**10.441.113.127FL**

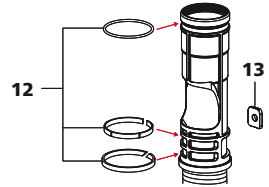
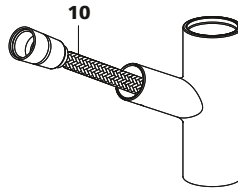
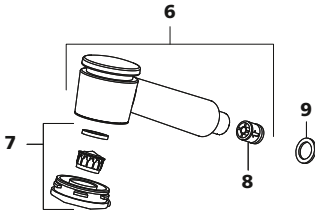
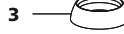
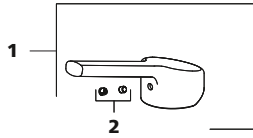


1	Z.537.550.000
1	Z.537.550.127
2	Z.535.853
3	Z.637.405.000
3	Z.637.405.127
4	Z.635.599
5	Z.537.582
6	Z.537.379.000
6	Z.537.379.127
7	Z.634.026
8	Z.537.381
9	Z.635.220
10	Z.535.950
11	Z.635.225
12	Z.532.241
13	Z.638.911
14	Z.538.336
15	Z.538.039
16	Z.536.228
17	Z.535.331

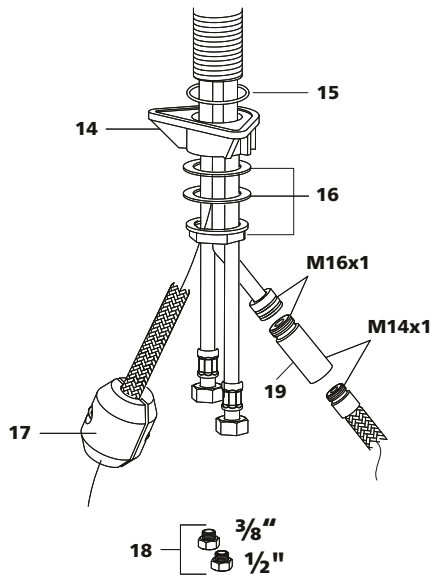




10.441.033.\*\*\*  
 10.441.033.127  
 10.441.033.127FL



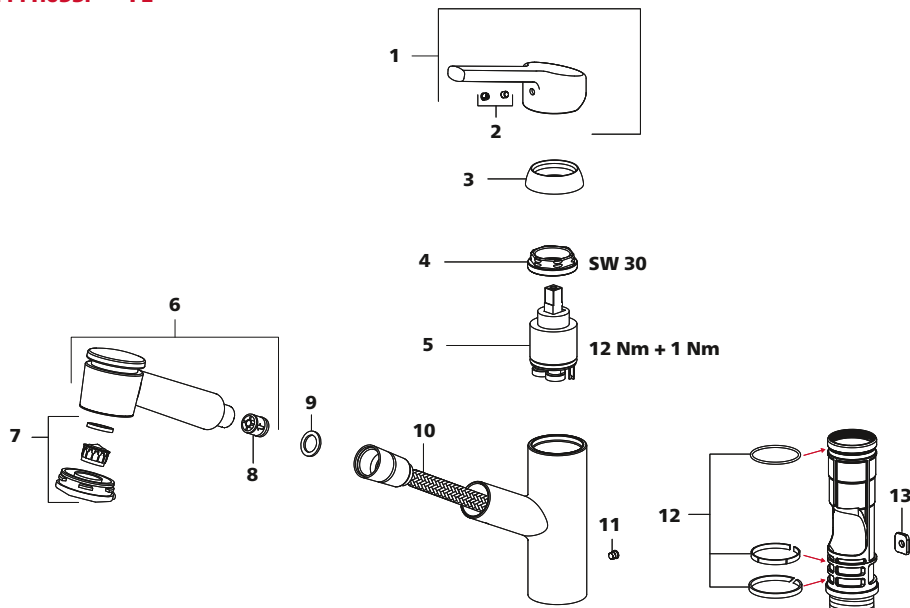
1	Z.537.550.***	
1	Z.537.550.127	
2	Z.535.853	
3	Z.637.405.***	
3	Z.637.405.127	
4	Z.635.599	
5	Z.537.582	
6	Z.535.844.000	
6	Z.534.852.136	
6	Z.535.844.127	
7	Z.535.092	
8	Z.532.255	
9	Z.638.156	
10	Z.537.382	
11	Z.635.220	
12	Z.535.950	
13	Z.635.225	
14	Z.532.241	
15	Z.638.911	
16	Z.538.336	
17	Z.538.039	
18	Z.535.739	AUS
19	Z.535.331	



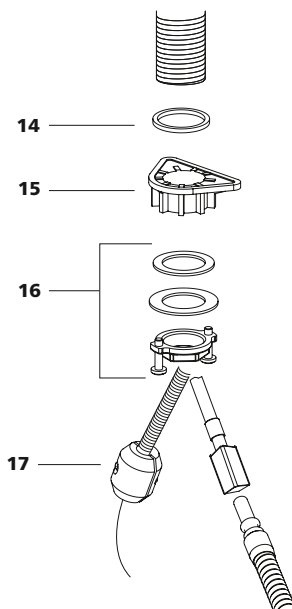
\*\*\* Surface: 000 chrome, 176 matt black



10.441.033.\*\*\*FL



1	Z.537.550.***
1	Z.537.550.127
2	Z.535.853
3	Z.637.405.***
3	Z.637.405.127
4	Z.635.599
5	Z.537.582
6	Z.535.844.000
6	Z.534.852.136
6	Z.535.844.127
7	Z.535.092
8	Z.532.255
9	Z.638.156
10	Z.538.669
11	Z.635.220
12	Z.535.950
13	Z.635.225
14	Z.532.241
15	Z.638.911
16	Z.538.336
17	Z.538.039



\*\*\* Surface: 000 chrome, 176 matt black