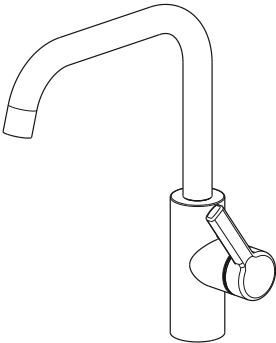


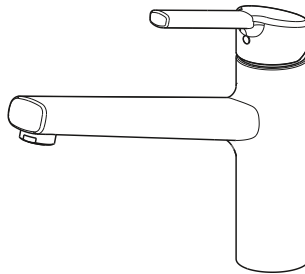
KWC LUNA E

802549

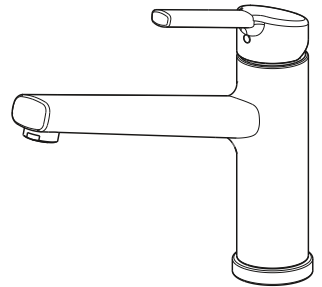
Installation and Service Manual



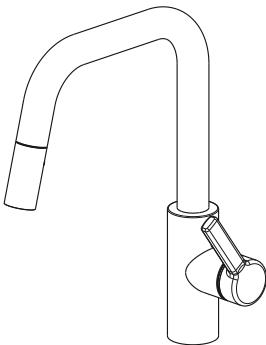
10.441.013.000FL
10.441.013.176FL



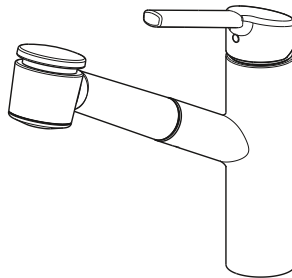
10.445.023.000FL



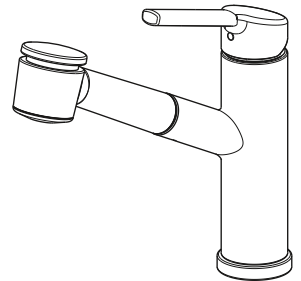
10.441.043.000FL



10.441.004.000FL
10.441.004.176FL



10.445.033.000FL

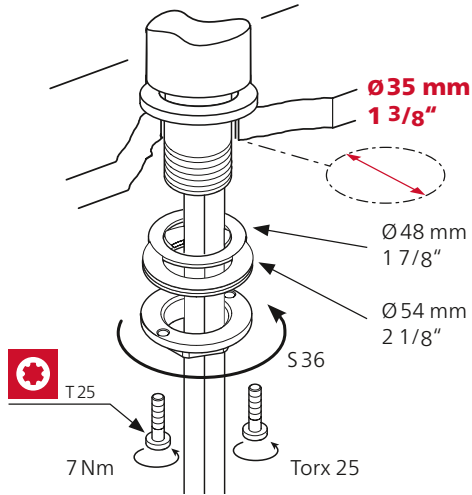


10.441.053.000FL

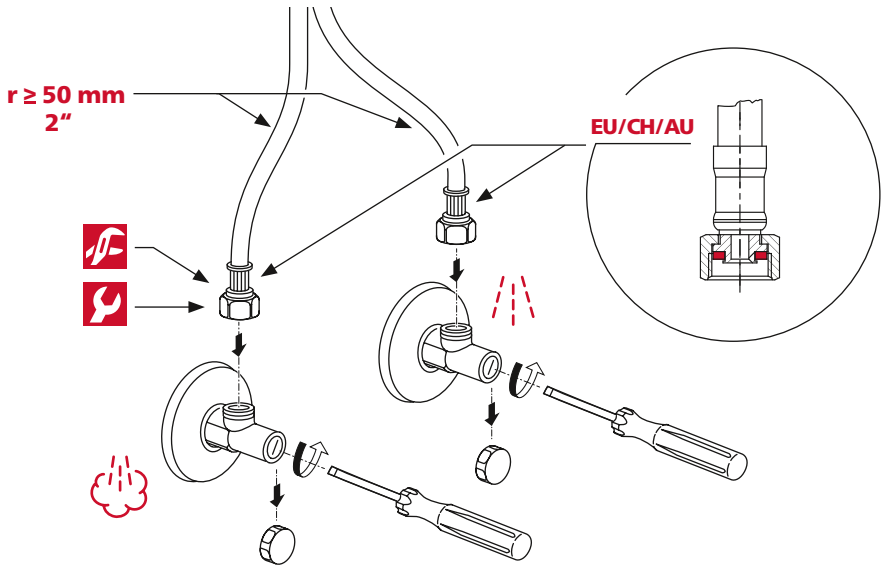
Surface: 000 chrome, 176 matt black



1



2



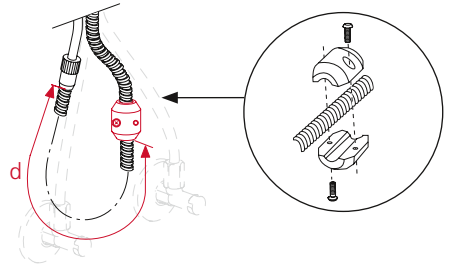
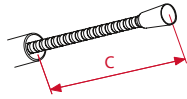


10.441.004.000FL
10.441.004.176FL

1

$c = 300 \text{ mm} / 11 \text{ } 10/12''$

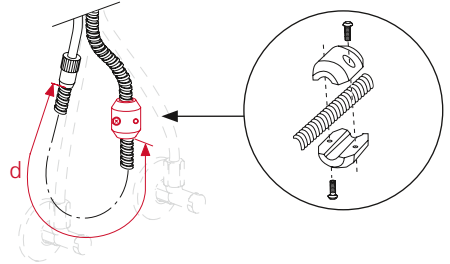
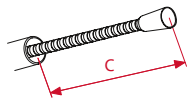
$d = 960 \text{ mm} / 37 \text{ } 7/8''$
 $d = 670 \text{ mm} / 26 \text{ } 3/8'' \text{ AUS}$



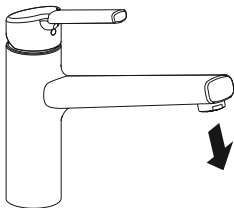
10.445.033.000FL
10.441.053.000FL

$c = 460 \text{ mm} / 18 \text{ } 1/8''$

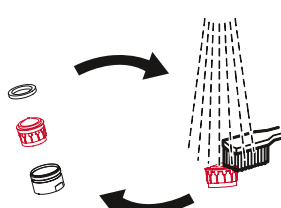
$d = 820 \text{ mm} / 32 \text{ } 1/4''$



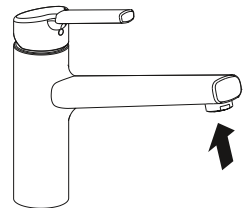
2.1



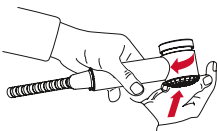
2.2



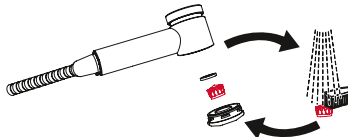
2.3



3.1



3.2

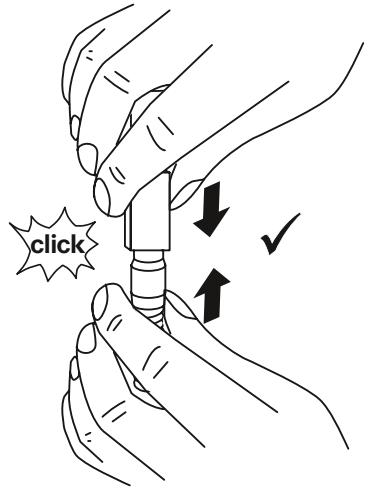
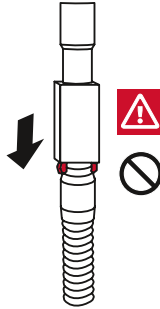
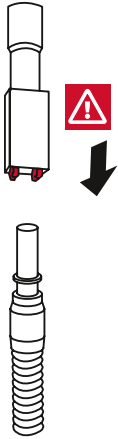


3.3

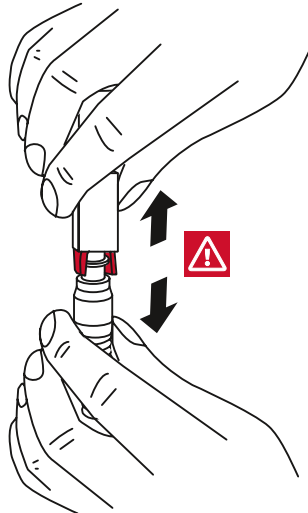
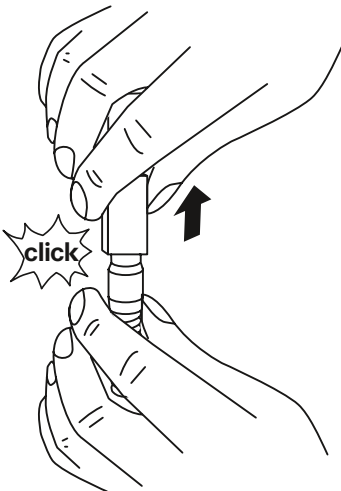




1



2





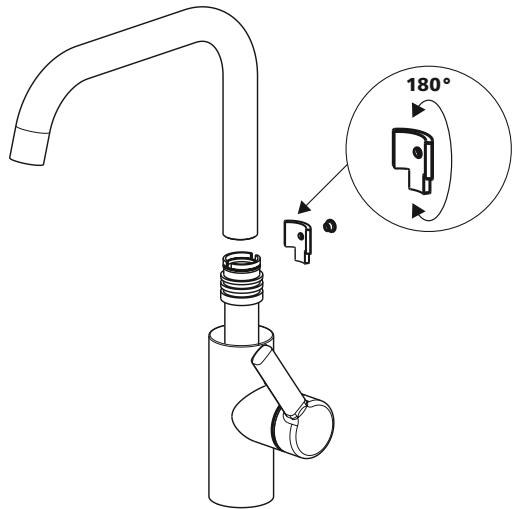
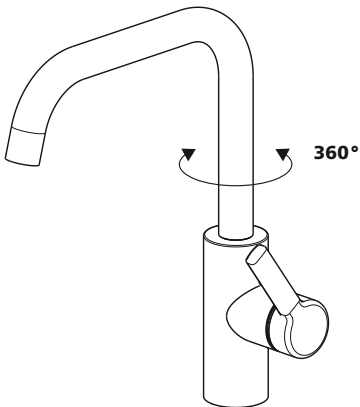
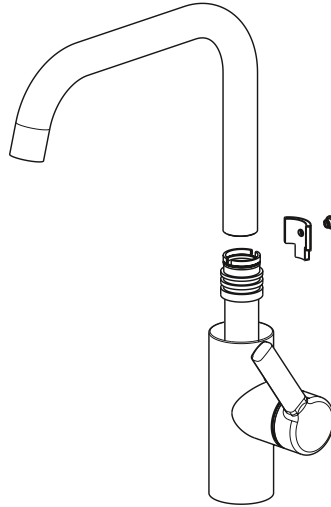
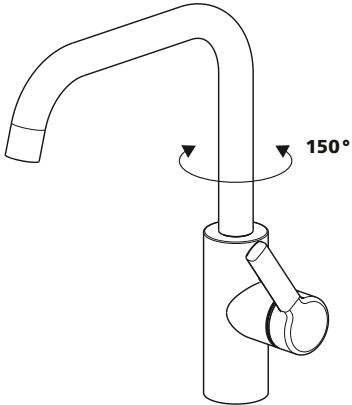
1

10.441.013.000FL

10.441.013.176FL

10.441.004.000FL

10.441.004.176FL





Installation

The product may only be installed by a qualified plumber.

Observe the local installation regulations and any country specific standards at all time.

Operating Data

Ideal operating pressure	3 bar
Maximum operating pressure	5 bar
Minimum operating pressure	1 bar
Equal pressure is recommended	

Ideal water temperature	60°C
Maximum water temperature	70°C

Environmental conditions

No cleaning agents or chemicals should be stored in the immediate vicinity of faucets and connection hoses.

Leaking vapors can damage the faucet and connection hoses.

Spare Parts

Only original spare parts may be used.



Flush Pipes

Flush the pipes according to the applicable standards before mounting the faucet.



General Cleaning Instructions

Faucet surface must be of room temperature before cleaning. Evaluated temperature increases damage of the surface. Cleaning instructions of the detergent manufacturer must be followed.

- Maintenance

Rub the faucet daily dry with a soft cloth. Never use corrosive cleaners or cleaning pads.

- Cleaning

Dirt or calcium deposits on the faucet surface must be removed with soft detergent or with soap water. Rinse well with water immediately after cleaning, until all detergent is removed from the surface. Dry with soft cloth.



Periodic Checks

For safety reasons, the connection and shower hoses must be checked periodically for the following:

- Watertightness

Damp or dripping hoses must be replaced.

- Corrosion

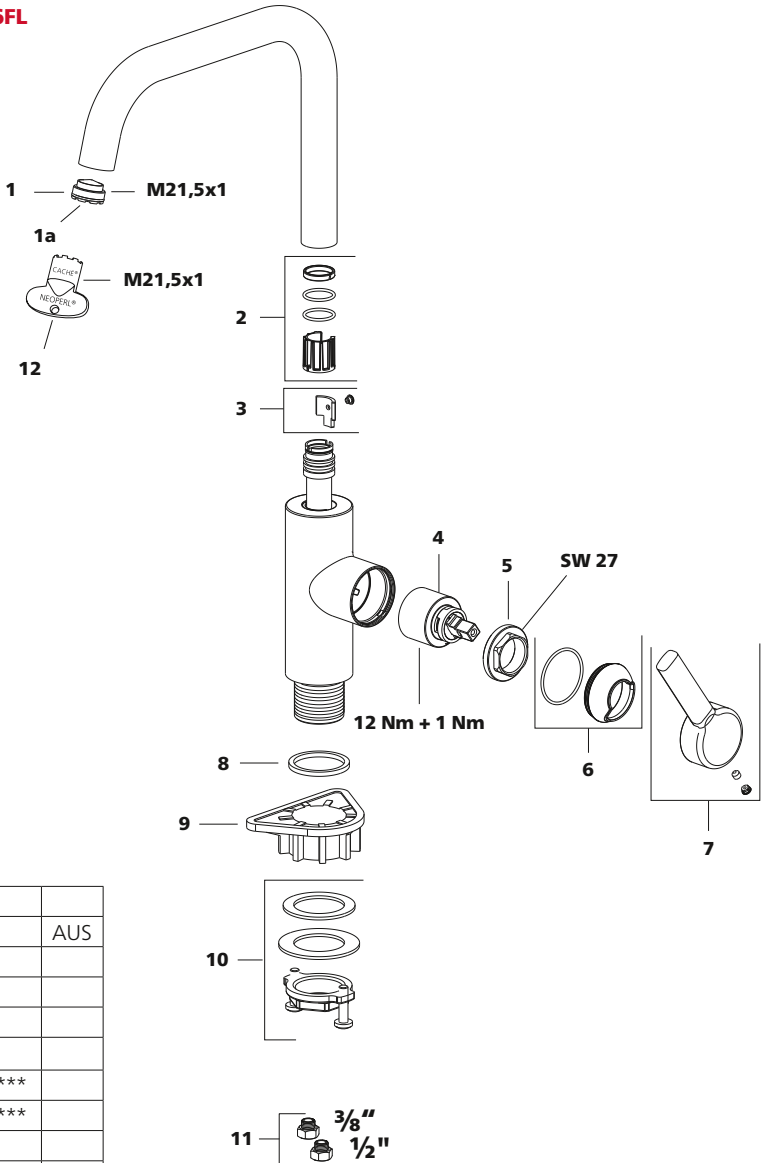
Hoses with rusty or oxidized surfaces must be replaced.

- Mechanical damage

Hoses that show signs of mechanical damage must be replaced.



10.441.013.000FL
10.441.013.176FL

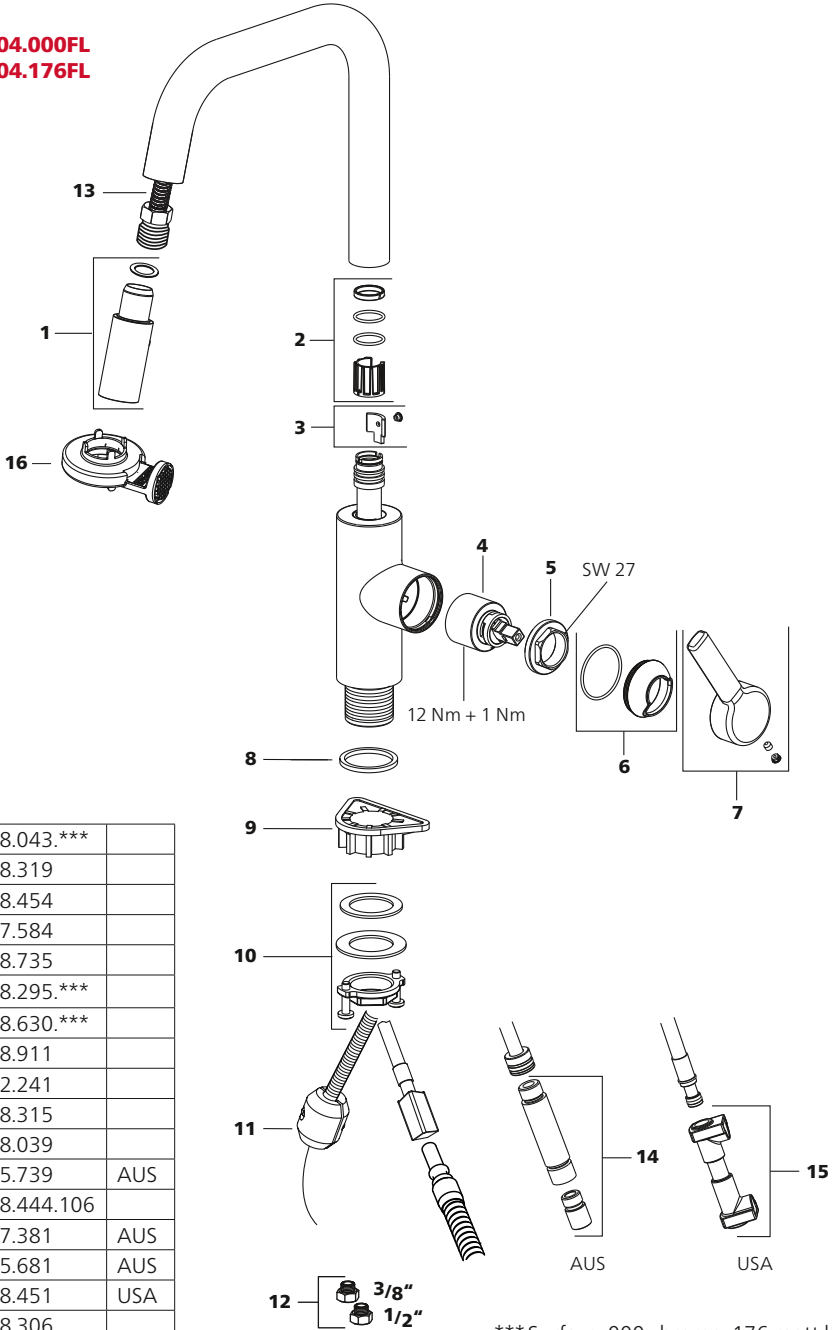


1	Z.639.308	
1a	Z.638.506	AUS
2	Z.538.319	
3	Z.538.454	
4	Z.537.584	
5	Z.638.735	
6	Z.538.295.***	
7	Z.538.630.***	
8	Z.638.911	
9	Z.532.241	
10	Z.538.315	
11	Z.535.739	AUS
12	Z.635.215	

*** Surface: 000 chrome, 176 matt black



10.441.004.000FL
10.441.004.176FL

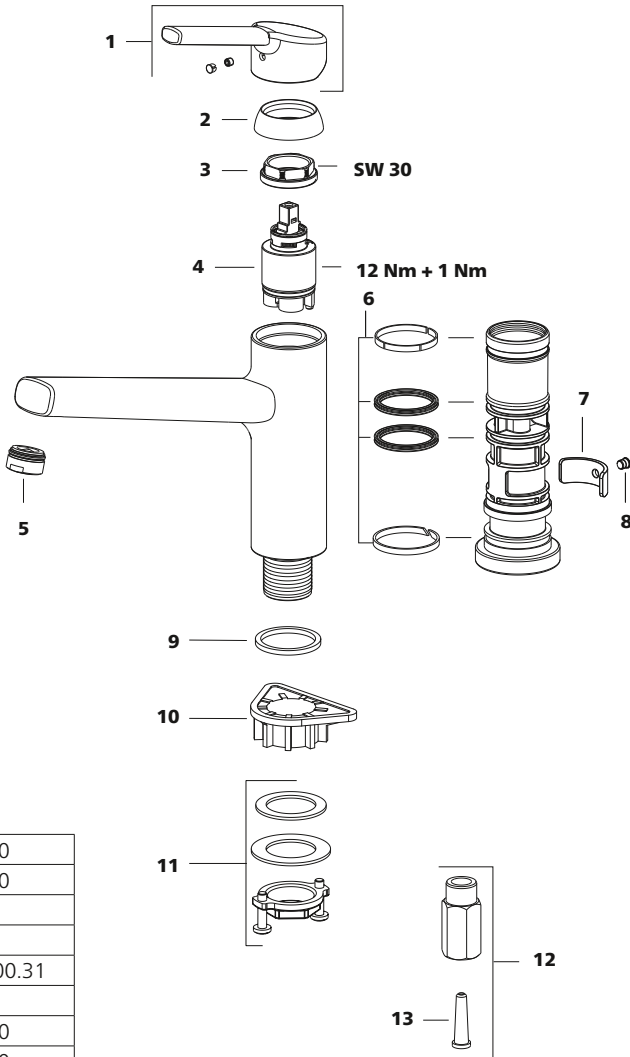


1	Z.538.043.***	
2	Z.538.319	
3	Z.538.454	
4	Z.537.584	
5	Z.638.735	
6	Z.538.295 ***	
7	Z.538.630.***	
8	Z.638.911	
9	Z.532.241	
10	Z.538.315	
11	Z.538.039	
12	Z.535.739	AUS
13	Z.538.444.106	
13	Z.537.381	AUS
14	Z.535.681	AUS
15	Z.538.451	USA
16	Z.638.306	

*** Surface: 000 chrome, 176 matt black



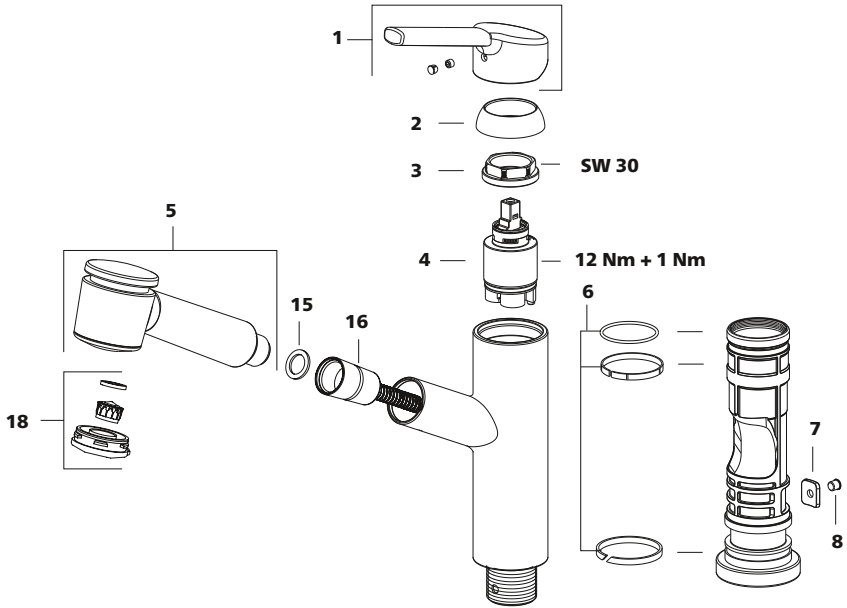
10.445.023.000FL



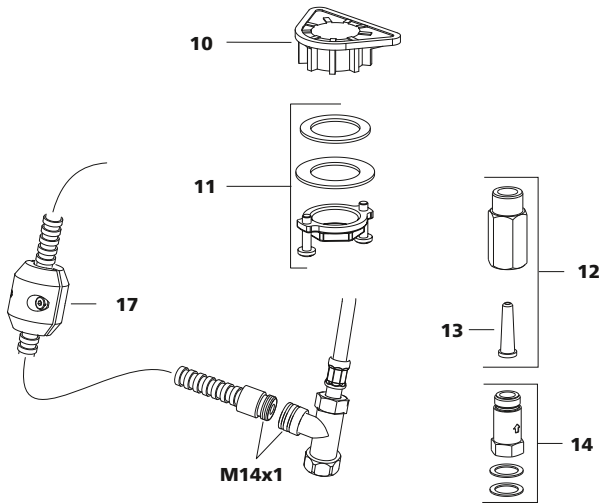
1	Z.537.550.000
2	Z.637.405.000
3	Z.635.599
4	Z.537.582
5	K.31.99.01.000.31
6	Z.535.894
7	Z.635.717.700
8	Z.635.220.700
9	Z.638.911
10	Z.532.241
11	Z.538.315
12	Z.538.367.000
13	Z.636.715



10.445.033.000FL

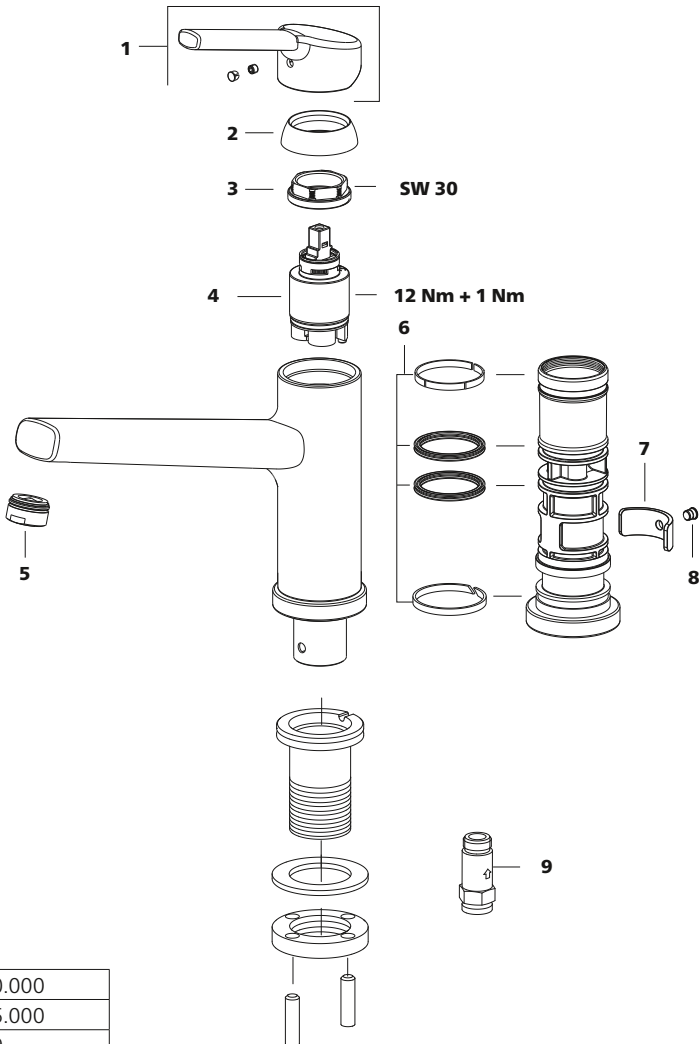


1	Z.537.550.000
2	Z.637.405.000
3	Z.635.599
4	Z.537.582
5	Z.535.845.000
6	Z.535.950
7	Z.635.225.700
8	Z.635.220.700
9	Z.638.911
10	Z.532.241
11	Z.538.315
12	Z.538.367.000
13	Z.636.715
14	Z.536.223
15	Z.638.156
16	Z.534.830.000
17	Z.535.773
18	Z.535.137.106





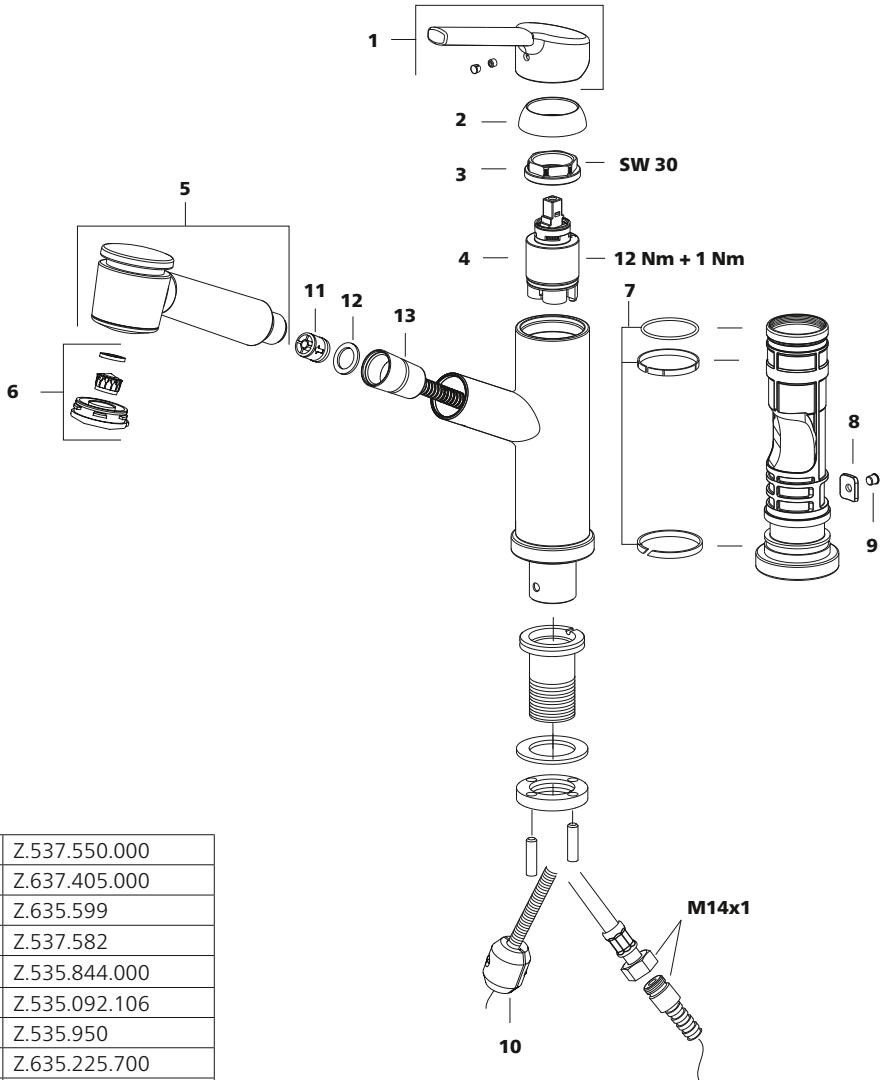
10.441.043.000FL



1	Z.537.550.000
2	Z.637.405.000
3	Z.635.599
4	Z.537.582
5	K.31.90.01.000 A31
6	Z.535.894
7	Z.635.717.700
8	Z.635.220.700
9	Z.536.223



10.441.053.000FL



1	Z.537.550.000
2	Z.637.405.000
3	Z.635.599
4	Z.537.582
5	Z.535.844.000
6	Z.535.092.106
7	Z.535.950
8	Z.635.225.700
9	Z.635.220.700
10	Z.538.039
11	Z.532.255
12	Z.638.156
13	Z.537.382

