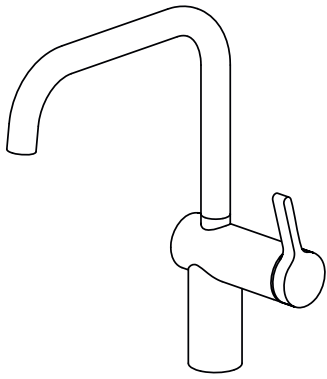


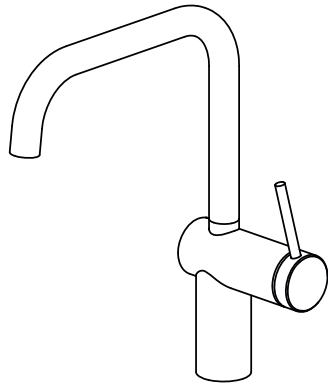
KWC

802238

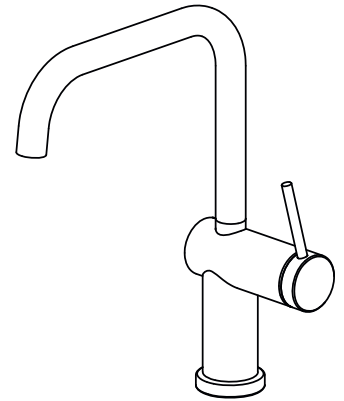
KWC LIVELLO



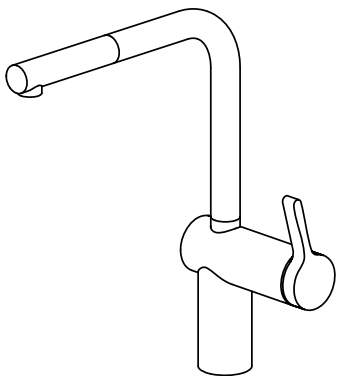
10.231.013.000FL



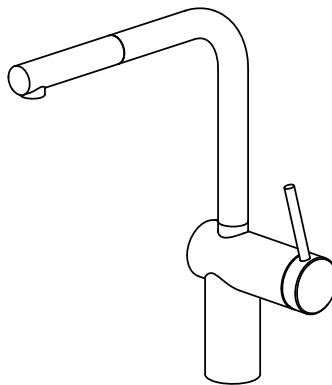
10.231.013.700FL



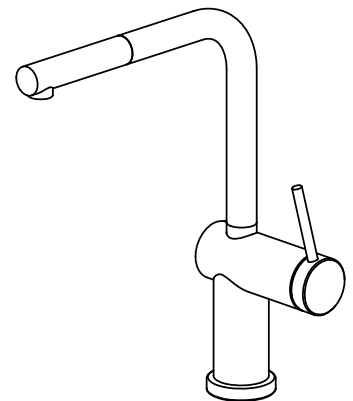
10.231.043.700FL



10.231.103.000FL



10.231.103.700FL



10.231.053.700FL

Operating data

Ideal operating pressure : 3 bar / 45 PSI / 300 kPa
Max. operating pressure : 5 bar / 70 PSI / 500 kPa
Min. operating pressure : 1 bar / 14.5 PSI / 100 kPa
Equal pressures are recommended.
Ideal water temperature : 60°C (140°F)
Max. water temperature : 80°C (180°F)



Attention:
Flush pipes thoroughly before
installation!

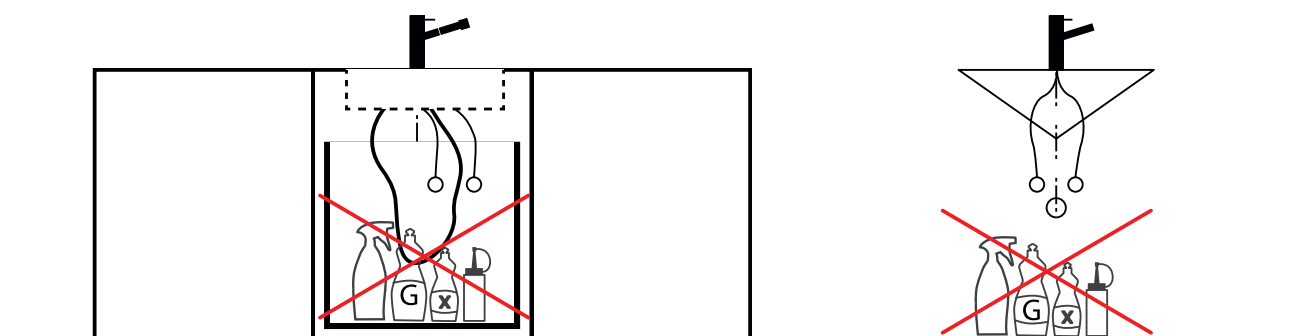
For further information refer to our detailed sales literature.

Franke KS
Franke UK Limited
West Park, MIOC, Styal Road
GB-Manchester M22 5WB
+44 161 436 62 80
+44 161 437 13 79

Environmental conditions

No cleaning agents or chemicals should be stored in the immediate vicinity of faucets and connection hoses.

Any vapour emitted may damage the faucet and connection hoses.

**Periodic checks**

For safety reasons, the connection and shower hoses must be checked periodically for the following:

Watertightness

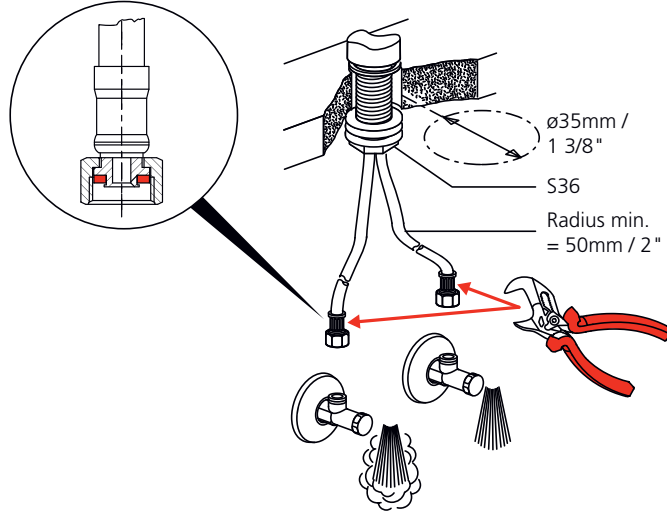
Damp or dripping hoses must be replaced.

Corrosion

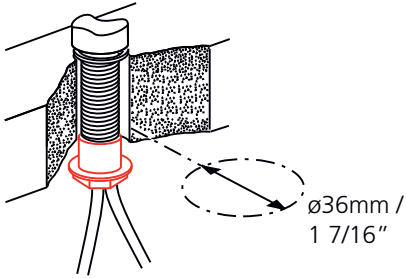
Hoses with rusty or oxidized surfaces must be replaced.

Mechanical damage

Hoses that show signs of mechanical damage must be replaced.



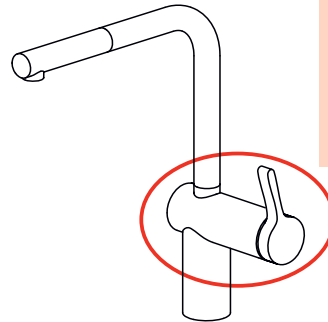
Hold above the nut during installation as shown in the illustration.



Extension nut L= 40mm / 1 1/2"

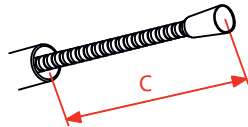


Z.503.315



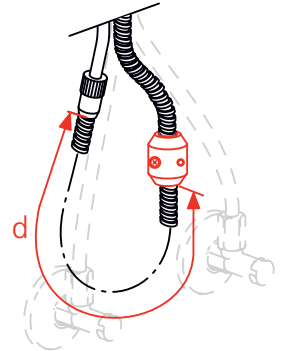
Lever installation only possible on the right side

Installation of limit stop



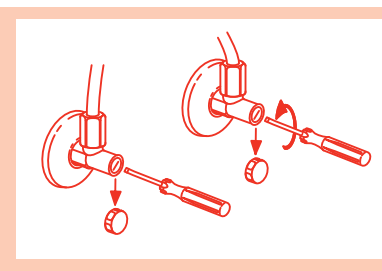
c = 480 mm / 18 15/16"

d = 360 mm / 14 3/16"



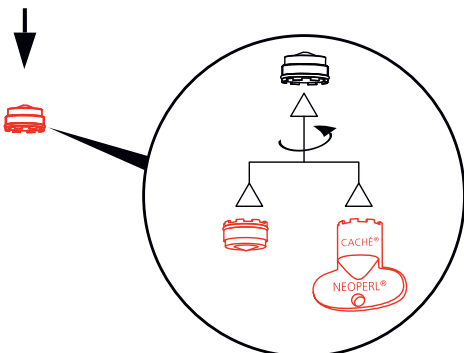
Initial operation

1

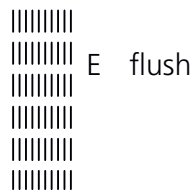


Open cold and hot water.

2



3

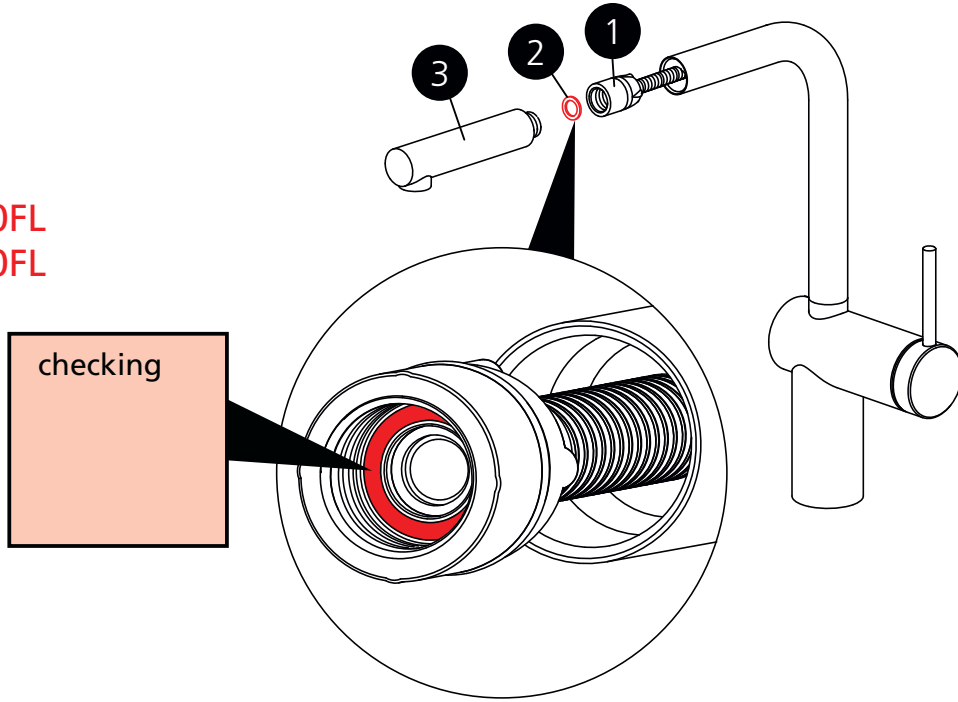


E flush

4

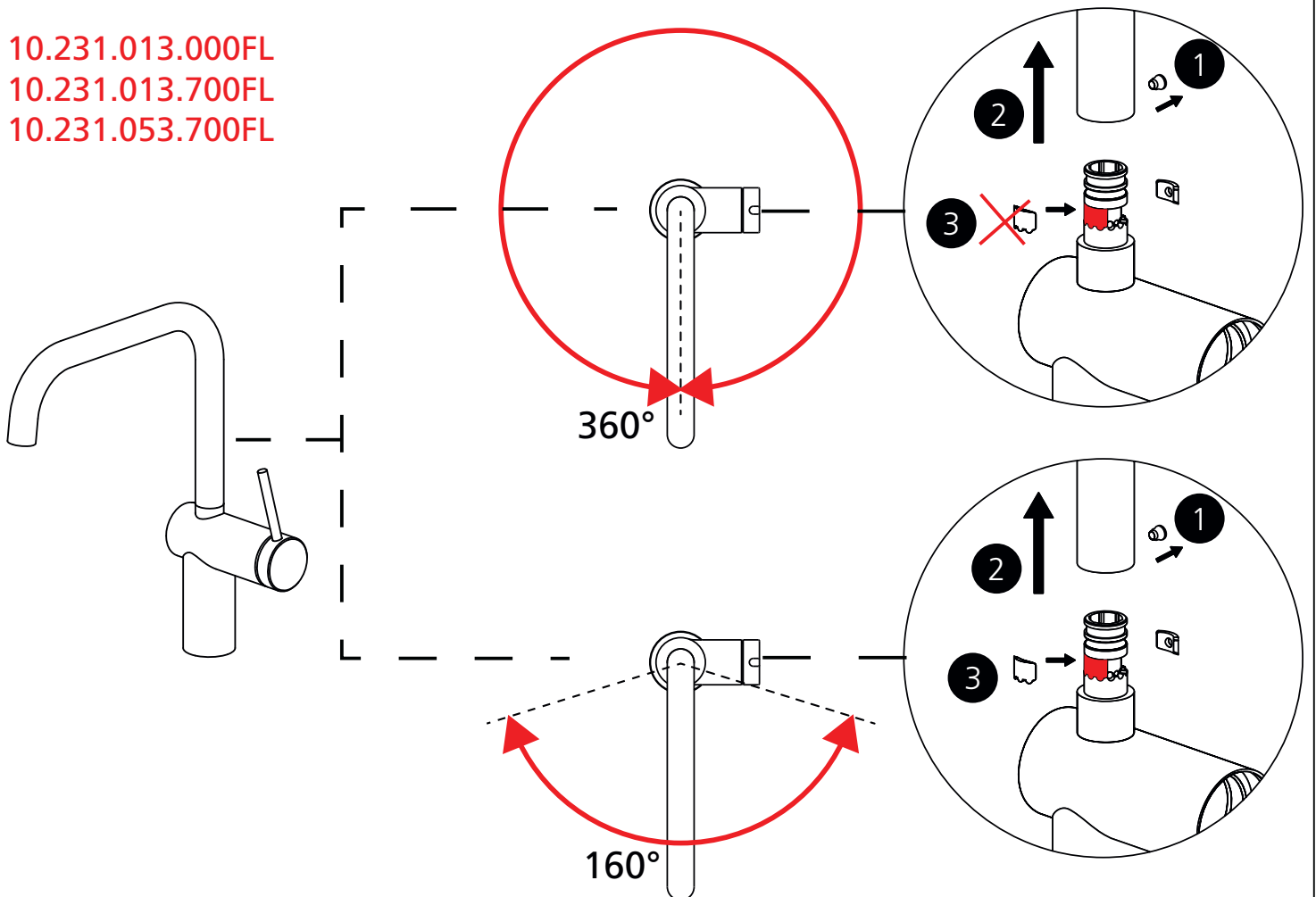


10.231.103.000FL
10.231.103.700FL



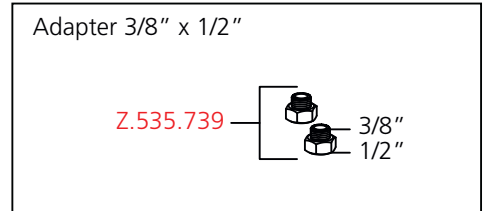
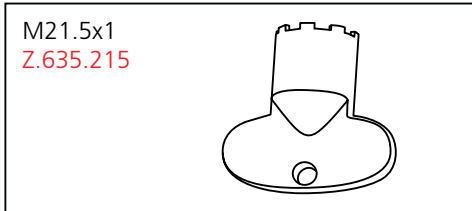
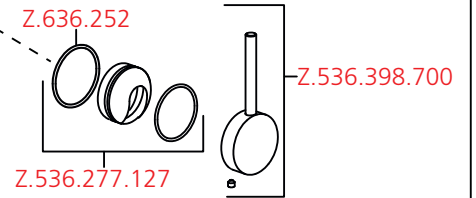
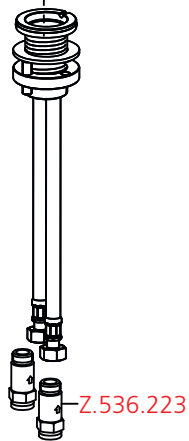
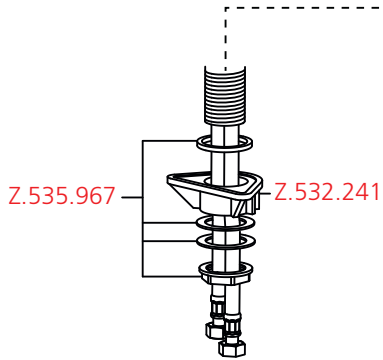
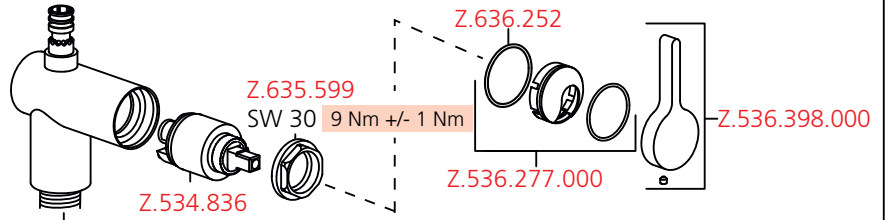
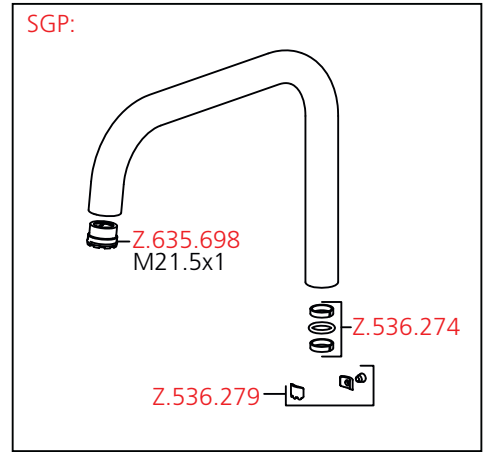
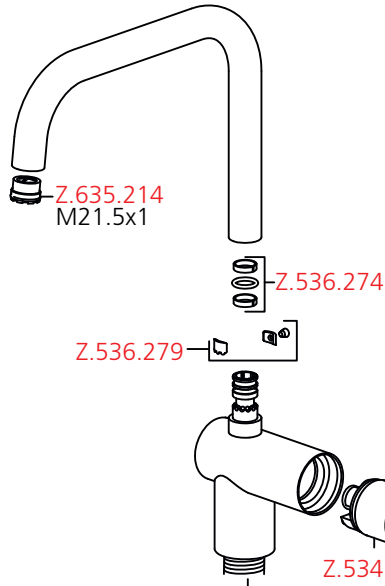
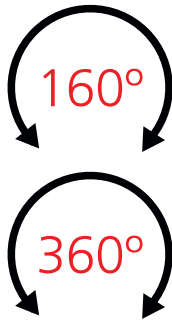
Examples of assembly

10.231.013.000FL
10.231.013.700FL
10.231.053.700FL

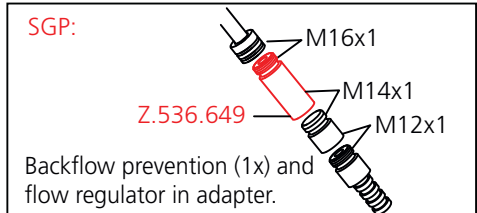
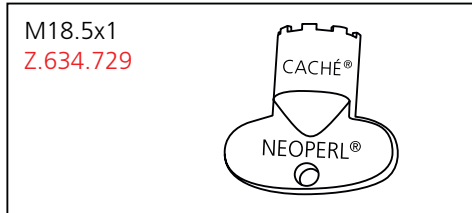
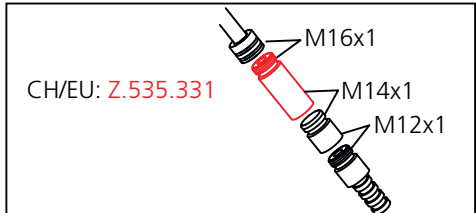
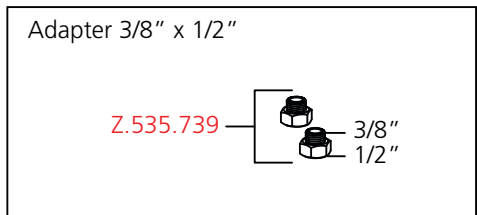
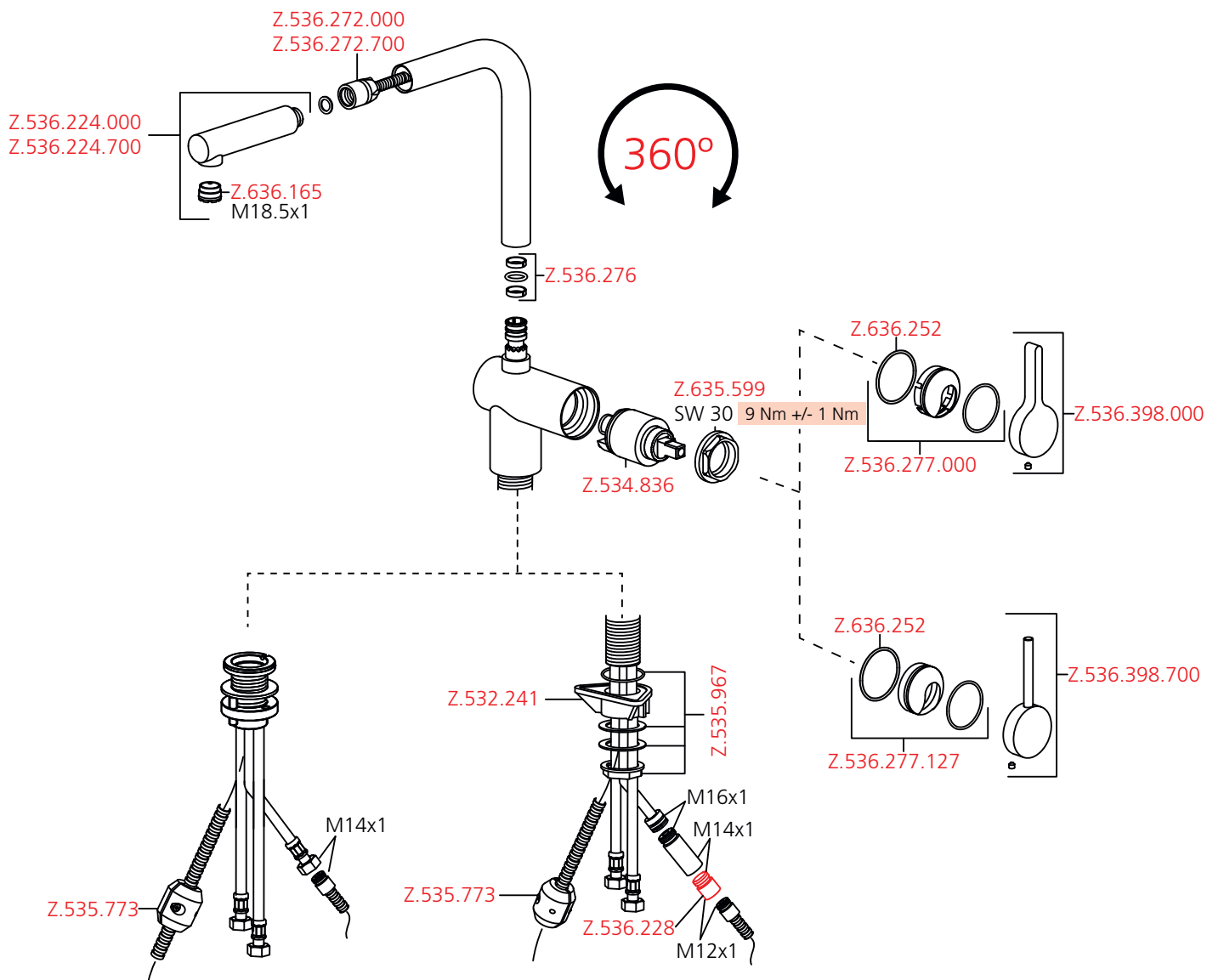


Spare parts

10.231.043.700FL
10.231.013.000FL
10.231.013.700FL



10.231.053.700FL
 10.231.103.000FL
 10.231.103.700FL



General Cleaning Instructions:

- Faucet surface must be of room temperature before cleaning (elevated temperature increases damage of the surface).
- Cleaning instructions of the detergent manufacturer must be followed.

Maintenance:

- Rub the faucet daily dry with a soft cloth.
- Never use corrosive cleaners or cleaning pads.

Cleaning:

- Dirt or calcium deposits on the faucet surface must be removed with soft detergent or with soap water!
- Rinse well with water immediately after cleaning, until all detergent is removed from the surface.
- Dry with soft cloth.

E Damages on the faucet resulting from incorrect handling are excluded from the manufacturers warranty!

