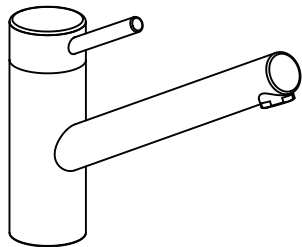




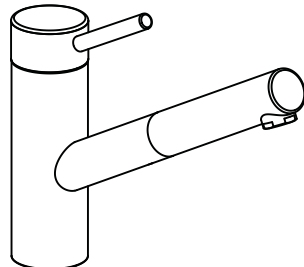
802158

04/11

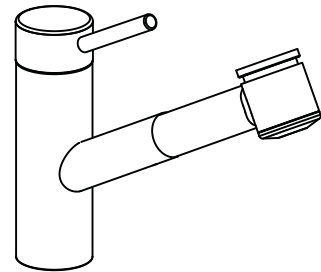
KWC INOX
KWC SUPRIMO



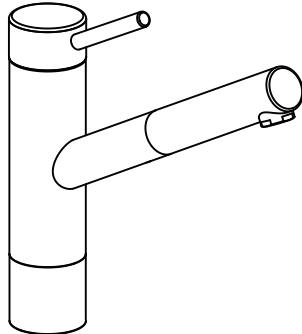
10.271.023.700



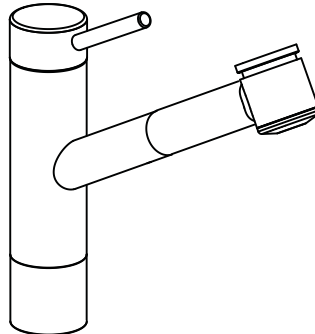
10.271.103.700



10.271.033.700
10.271.033.736



10.271.303.700



10.271.333.700
(USA only)

Ideal operating pressure : 3 bar (45 PSI)
Max. operating pressure : 5 bar (70 PSI)
Min. operating pressure : 1 bar (14.5 PSI)
Equal pressures are recommended.
Ideal water temperature : 60 °C (140°F)
Max. water temperature : 80 °C (180°F)

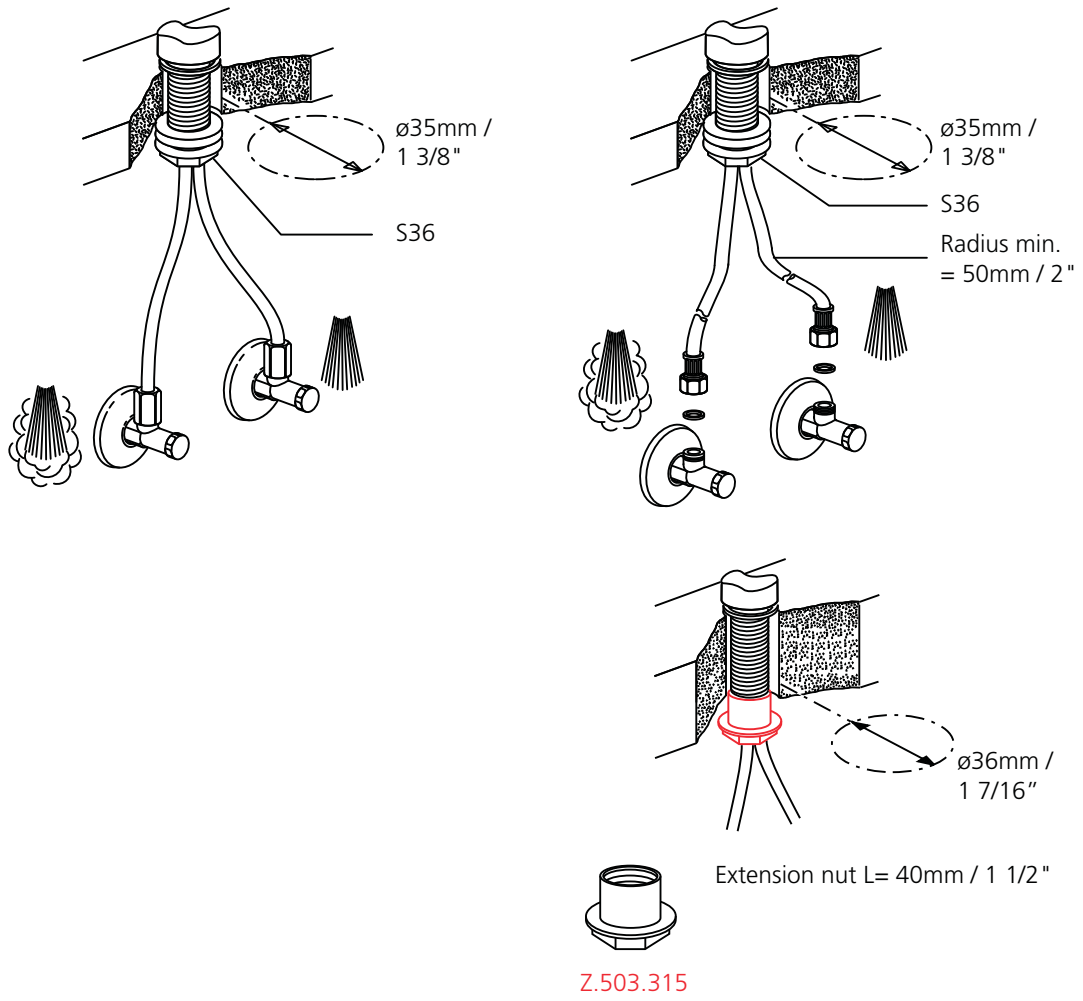


Attention:
Flush pipes thoroughly before
installation!

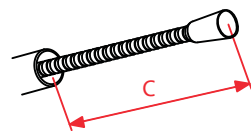
For further information refer to our detailed sales literature.

E Damages on the faucet resulting from incorrect handling are excluded from the manufacturers warranty!



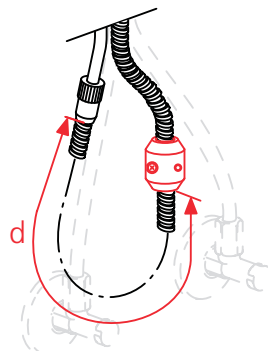


Installation of limit stop

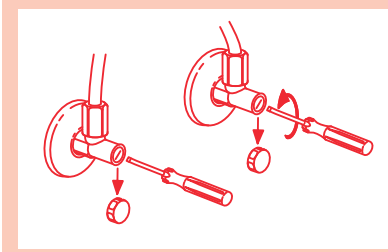


$c = 700\text{ mm}, 27\ 9/16''$

$d = 500\text{ mm}, 19\ 11/16''$

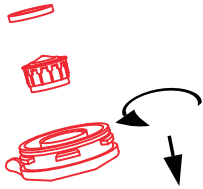


1

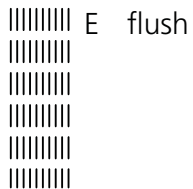


Open cold and hot water.

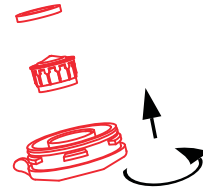
2



3



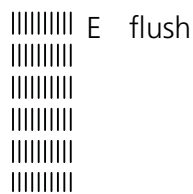
4



2



3



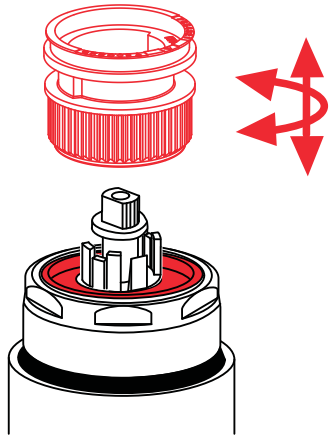
4



Maximum temperature limitation

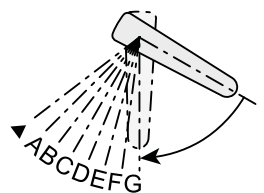
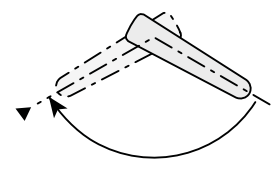
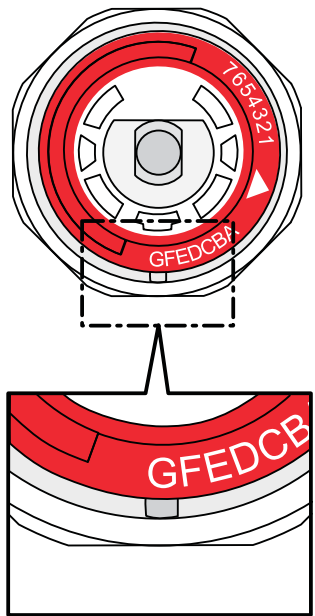
Flow rate limitation

Temperature ring



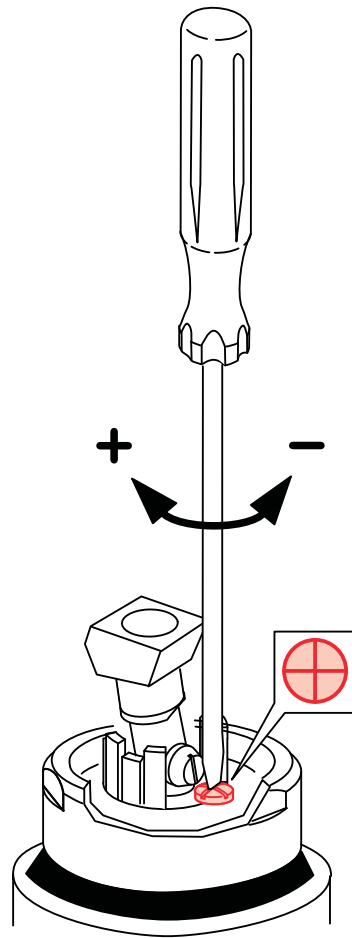
Max. temperature range :

Reduced temperature range :

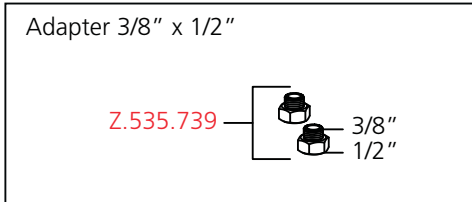
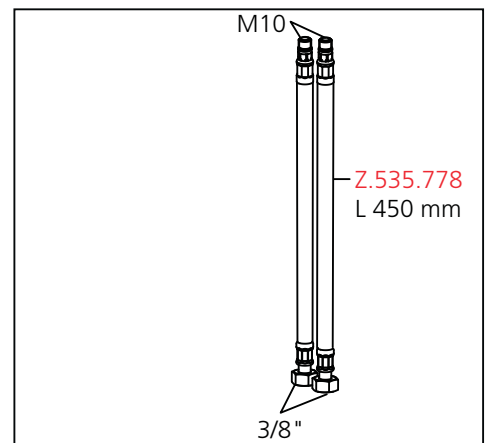
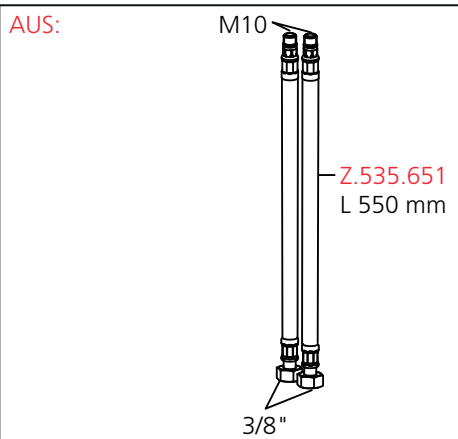
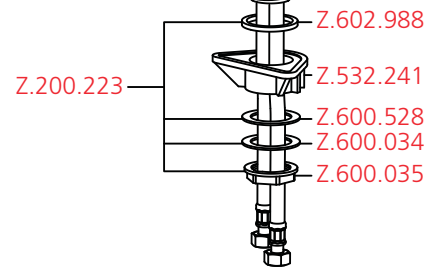
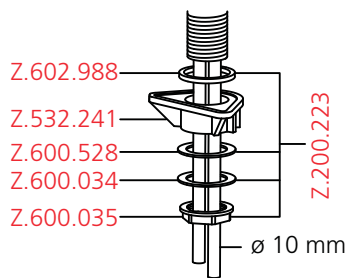
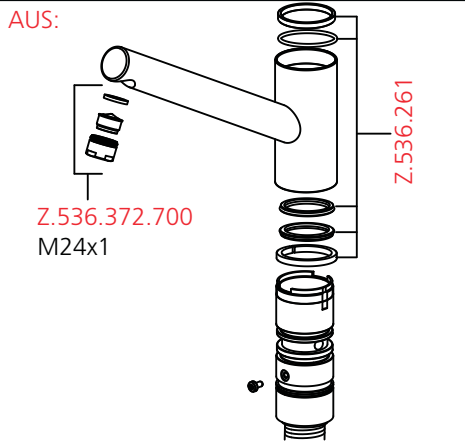
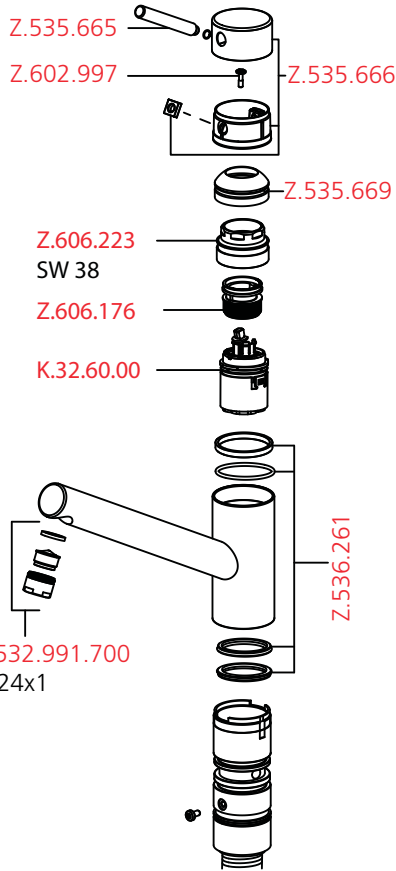


Arrow on groove.

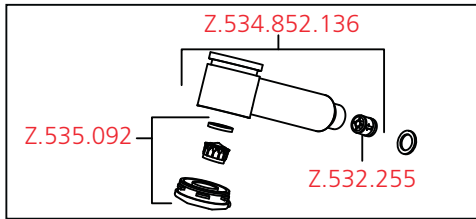
- Position A - G
- Position A - G
- Position A - G
- Posición A - G
- Positions A - G



10.271.023.700

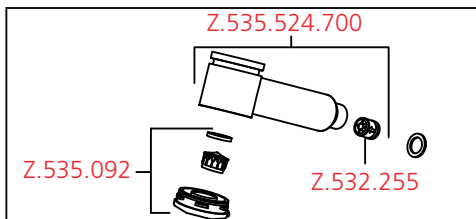


10.271.033.736



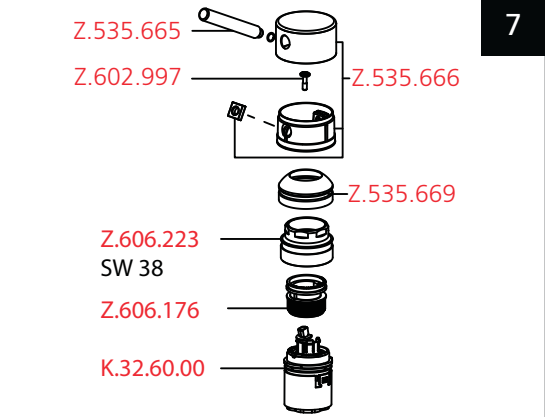
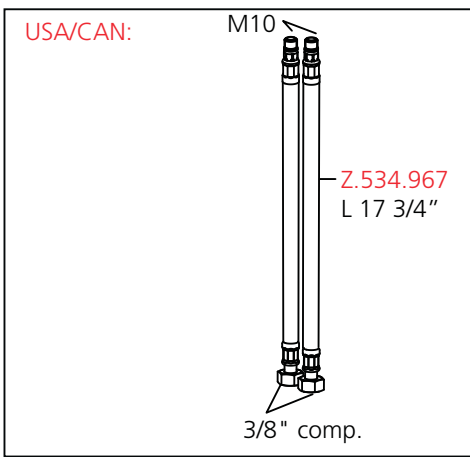
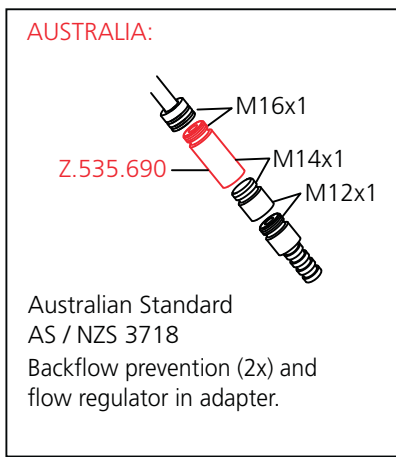
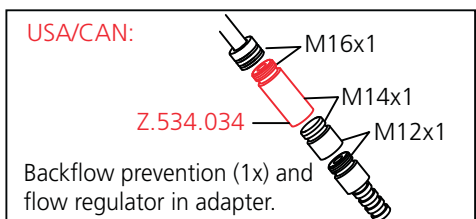
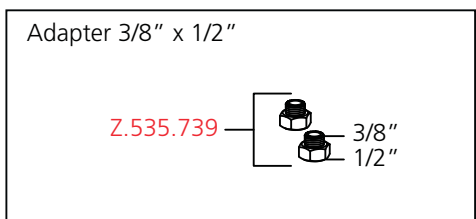
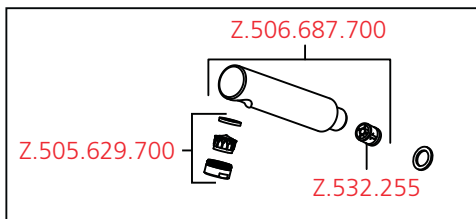
10.271.033.700

10.271.333.700



10.271.103.700

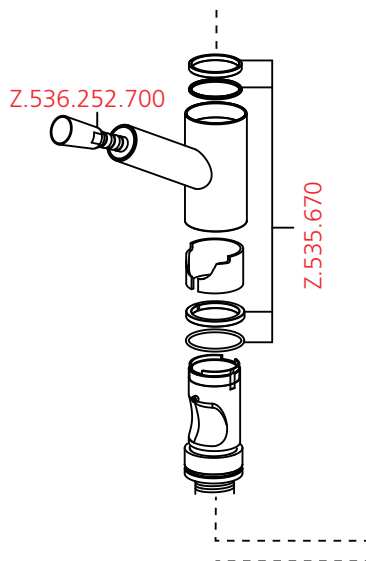
10.271.303.700



10.271.033.700

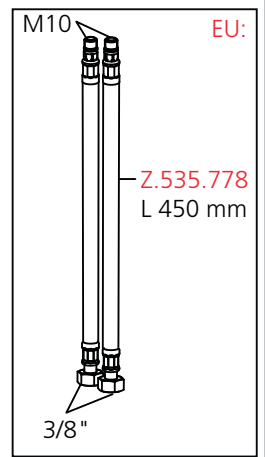
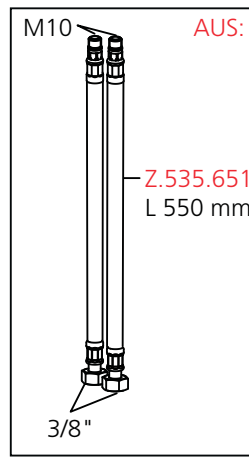
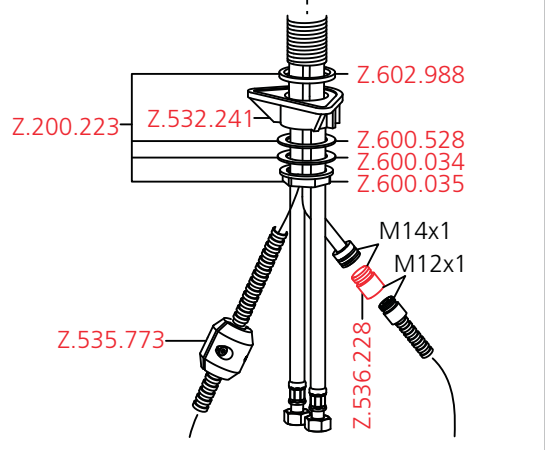
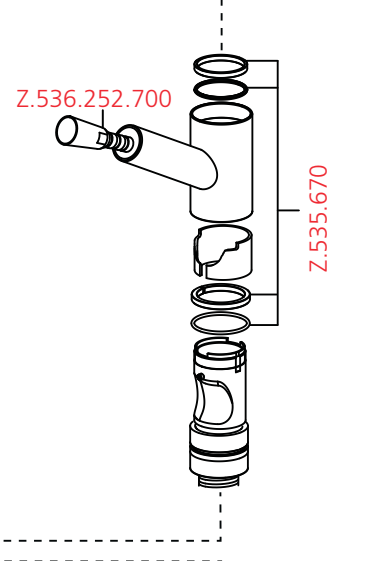
10.271.033.700

10.271.103.700



10.271.303.700

10.271.333.700 (USA only)



General Cleaning Instructions:

- Faucet surface must be of room temperature before cleaning (elevated temperature increases damage of the surface)
- Cleaning instructions of the detergent manufacturer must be followed.

Maintenance:

- Rub the faucet daily dry with a soft cloth.
- Never use corrosive cleaners or cleaning pads.

Cleaning:

- Dirt or calcareous deposits on the faucet surface must be removed with soft detergent or with soap water!
- Rinse well with water immediately after cleaning (make sure that no detergent remains on the surface)
- Dry with soft cloth.

E Damages on the faucet resulting from incorrect handling are excluded from the manufacturers warranty!

