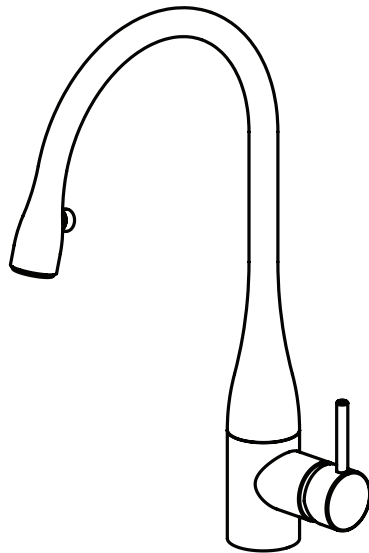




802285

01/13

KWC EVE



A 190

10.111.102.000

10.111.102.700

10.121.102.000

10.121.102.700



LED

A 225

10.111.103.000

10.111.103.700

10.121.103.000

10.121.103.700

10.121.103.150

10.121.103.151



LED

Ideal operating pressure : 3 bar / 45 PSI / 300 kPa
Max. operating pressure : 5 bar / 70 PSI / 500 kPa
Min. operating pressure : 1 bar / 14.5 PSI / 100 kPa
Equal pressures are recommended.
Ideal water temperature : 60 °C (140°F)
Max. water temperature : 80 °C (180°F)

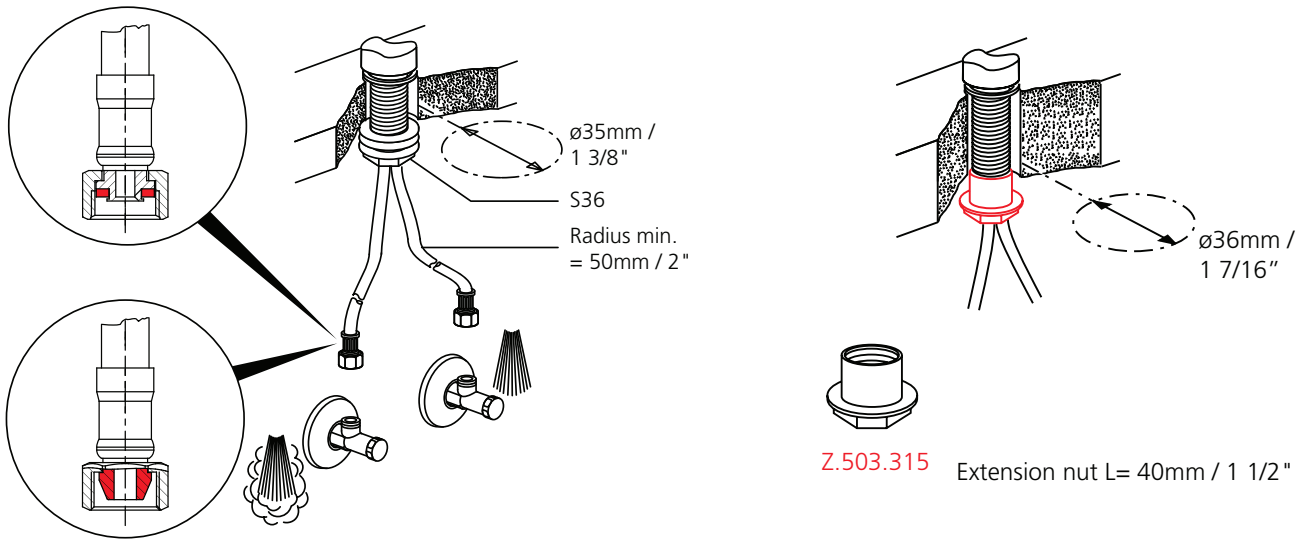


Attention:
Flush pipes thoroughly before
installation!

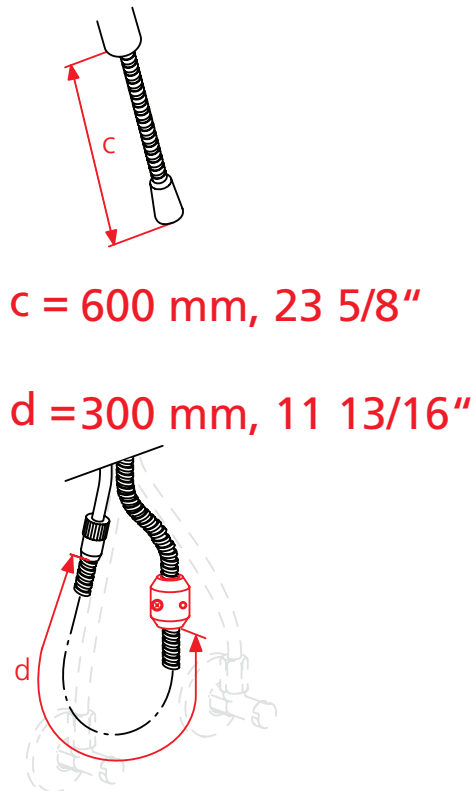
For further information refer to our detailed sales literature.



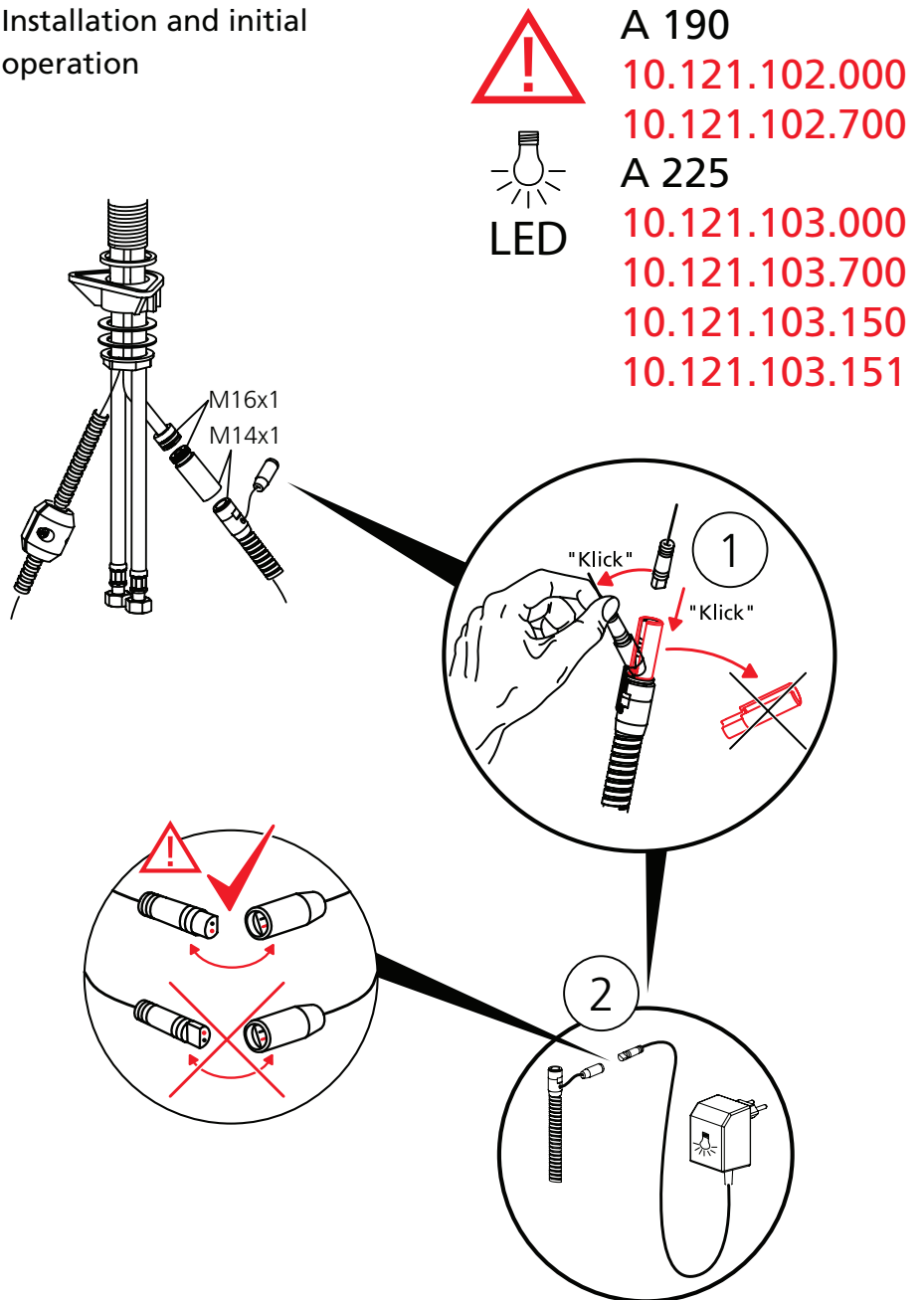
E Damages on the faucet resulting from incorrect handling are excluded from the manufacturers warranty!



Installation of limits stop weight



Installation and initial operation

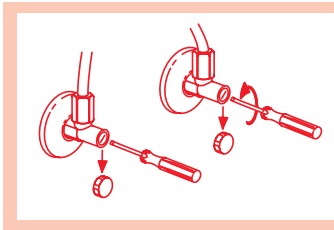


Technical information:

- Replacing cables is not permitted. In case of damage, complete components (cable and power supply connection) must be replaced.
- The version without a power supply connector is for use in fixed installations only. Connection with a power supply connector is not permitted.
- The national/local installation regulations must be observed. (In case of conflicting instructions, KWC must be consulted.)
- Only original KWC power supply connections may be used.
- When replacing the version with a power supply connector, the cables must not be shortened.
- Input 110 – 230 V / ~ 50/60 Hz

Open cold and hot water.

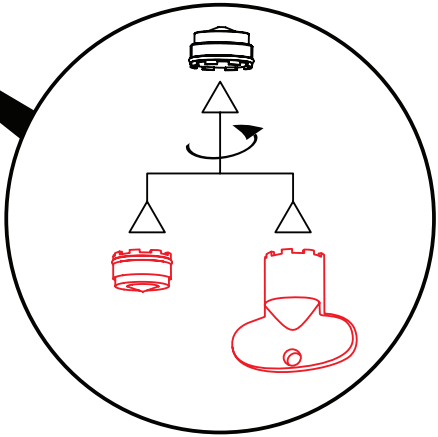
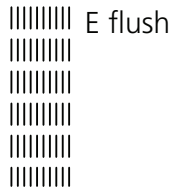
1



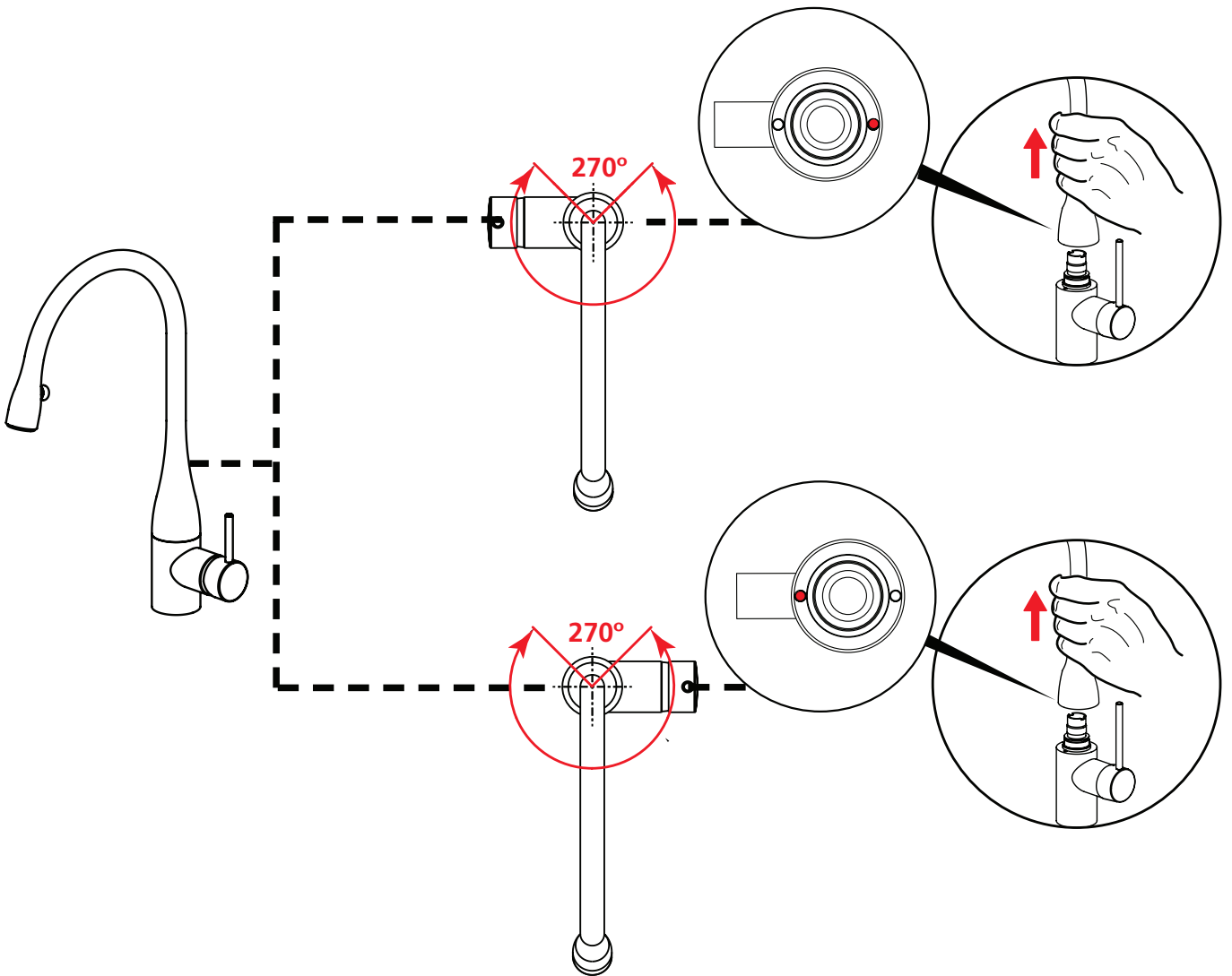
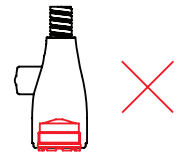
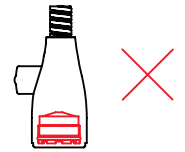
2



3



4

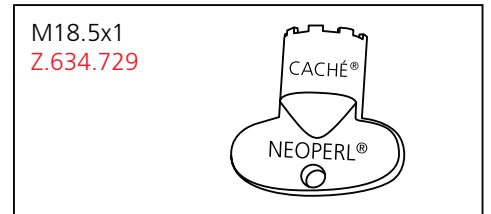
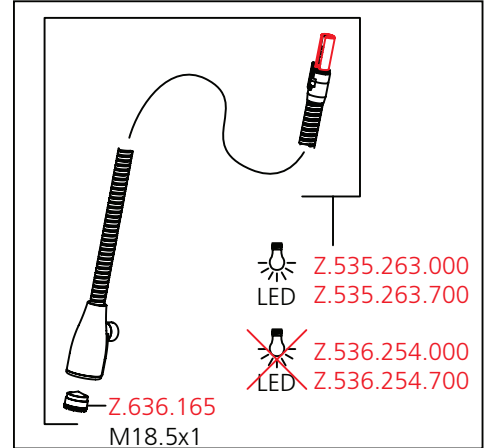
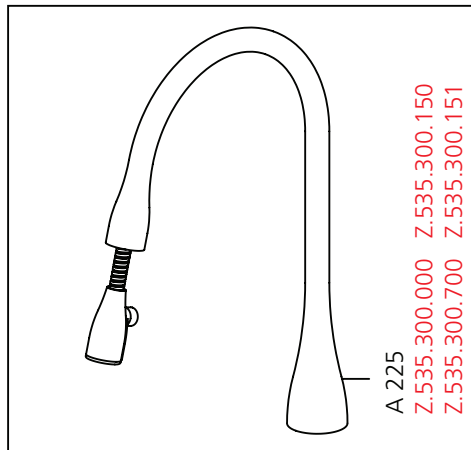
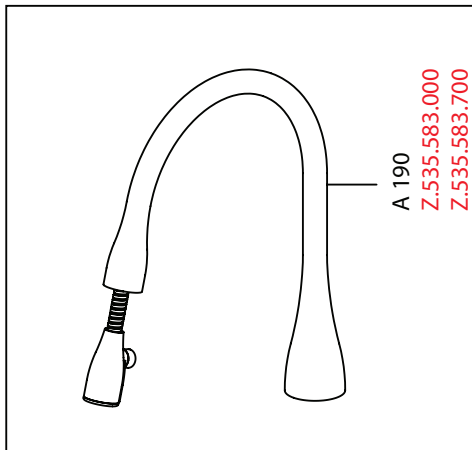


A=190

- 10.111.102.000
- 10.111.102.700
- 10.121.102.000
- 10.121.102.700

A=225

- 10.111.103.000
- 10.111.103.700
- 10.121.103.000
- 10.121.103.700
- 10.121.103.150
- 10.121.103.151



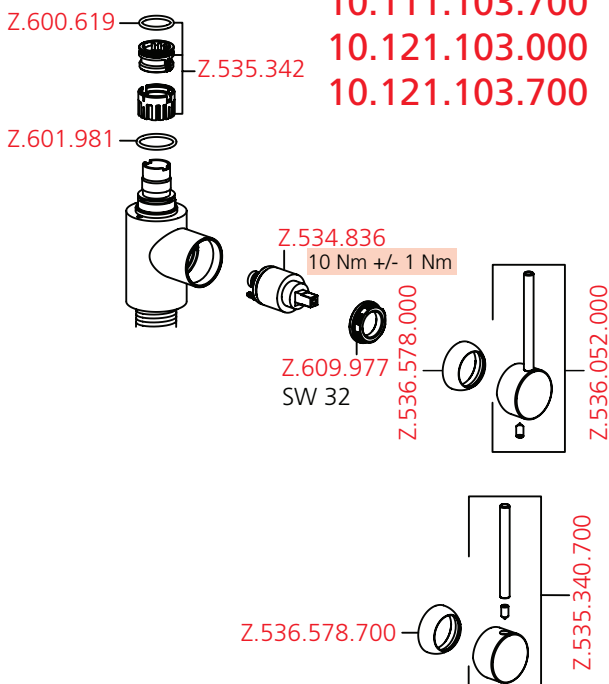
-2007

A=190

- 10.111.102.000
- 10.111.102.700
- 10.121.102.000
- 10.121.102.700

A=225

- 10.111.103.000
- 10.111.103.700
- 10.121.103.000
- 10.121.103.700



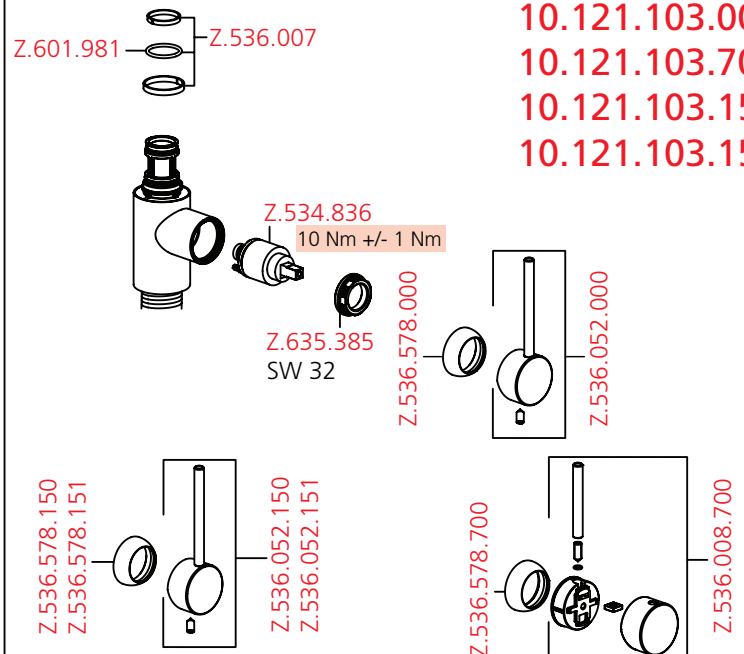
2008-

A=190

- 10.111.102.000
- 10.111.102.700
- 10.121.102.000
- 10.121.102.700

A=225

- 10.111.103.000
- 10.111.103.700
- 10.121.103.000
- 10.121.103.700
- 10.121.103.150
- 10.121.103.151



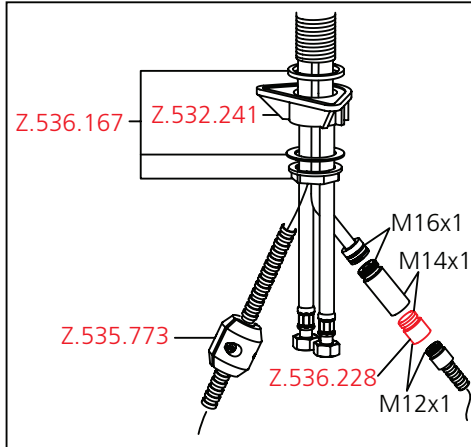
A=190

10.111.102.000
10.111.102.700



A=225

10.111.103.000
10.111.103.700
10.111.103.150
10.111.103.151



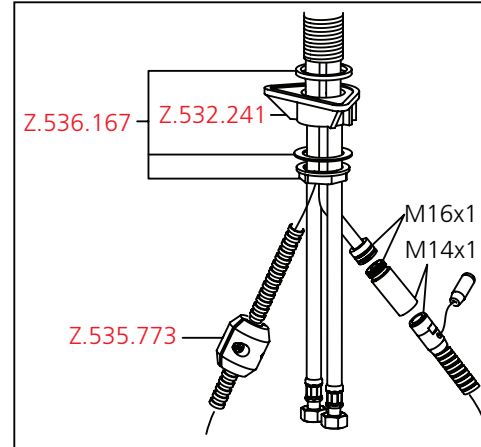
A=190

10.121.102.000
10.121.102.700

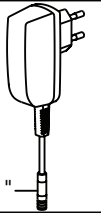


A=225

10.121.103.000
10.121.103.700
10.121.103.150
10.121.103.151



CH/EU: Z.635.582



L= 1100 mm / 31 1/2"

USA/CAN:

M10

Z.534.967
L 17 3/4"

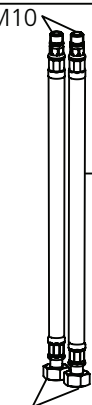


3/8" comp.

EU/AUSTRALIA:

M10

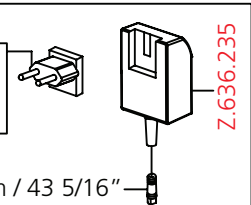
Z.535.778
L 450 mm



3/8"

GB:

Z.636.238



Z.636.235

L= 1100 mm / 43 5/16"

(optional)

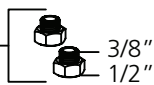
Z.535.364

L= 1200 mm / 47 1/4"



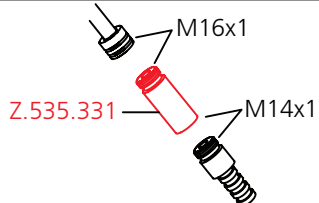
Adapter 3/8" x 1/2"

Z.535.739



3/8"
1/2"

EU:



In General:

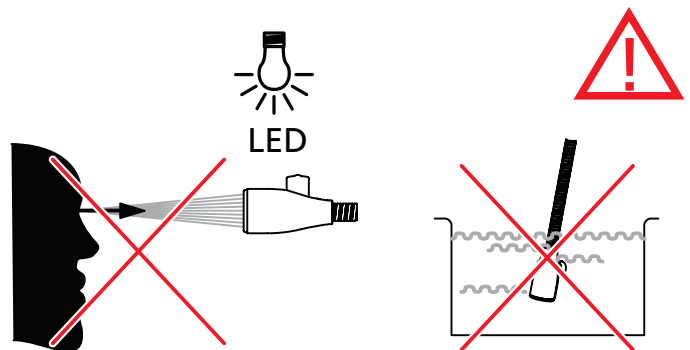
- Faucet surface must be of room temperature before cleaning (elevated temperature increases damage of the surface).
- Cleaning instructions of the detergent manufacturer must be followed.

Maintenance:

- Rub the faucet daily dry with a soft cloth.
- Never use corrosive cleaners or cleaning pads.
- For a long-lasting shine, we recommend occasionally car wax to the black chrome KWC EVE for a mirror finish (plastic surfaces must be cleaned afterwards)

Cleaning:

- Dirt or calcareous deposits on the faucet surface must be removed with soft detergent or with soap water!
- Rinse well with water immediately after cleaning (make sure that no detergent remains on the surface)
- Dry with soft cloth.



E Damages on the faucet resulting from incorrect handling are excluded from the manufacturers warranty!