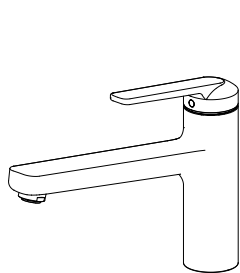


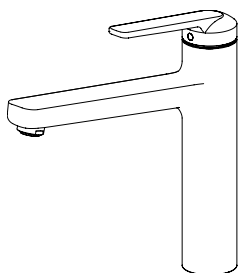
KWC DOMO | 6.0

802495

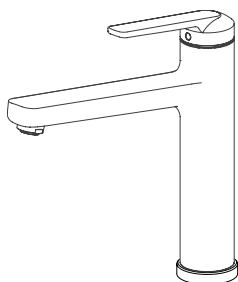
Installation and Service Manual



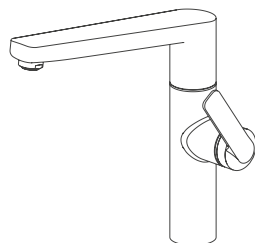
10.661.523.000FL



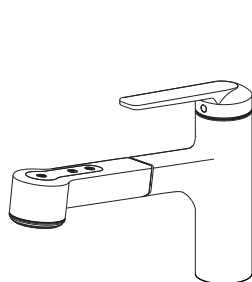
**10.661.023.000FL
10.665.023.000FL**



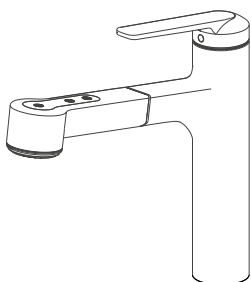
10.661.043.000FL



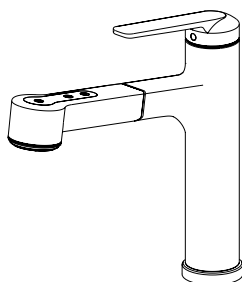
10.661.013.000FL



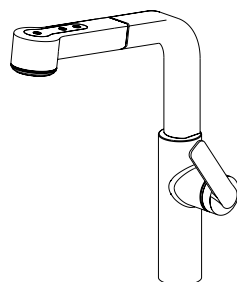
10.661.533.000FL



**10.661.033.000FL
10.665.033.000FL**



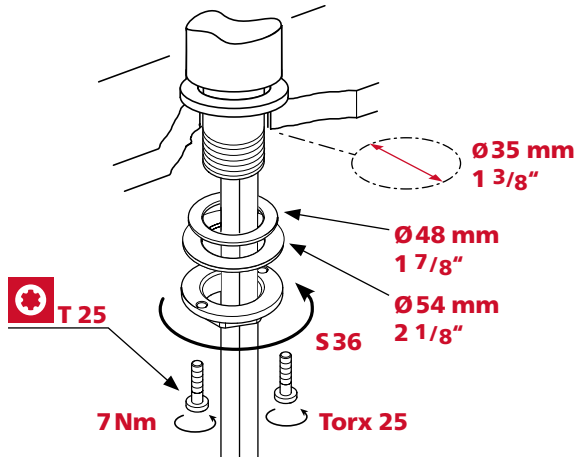
10.661.053.000FL



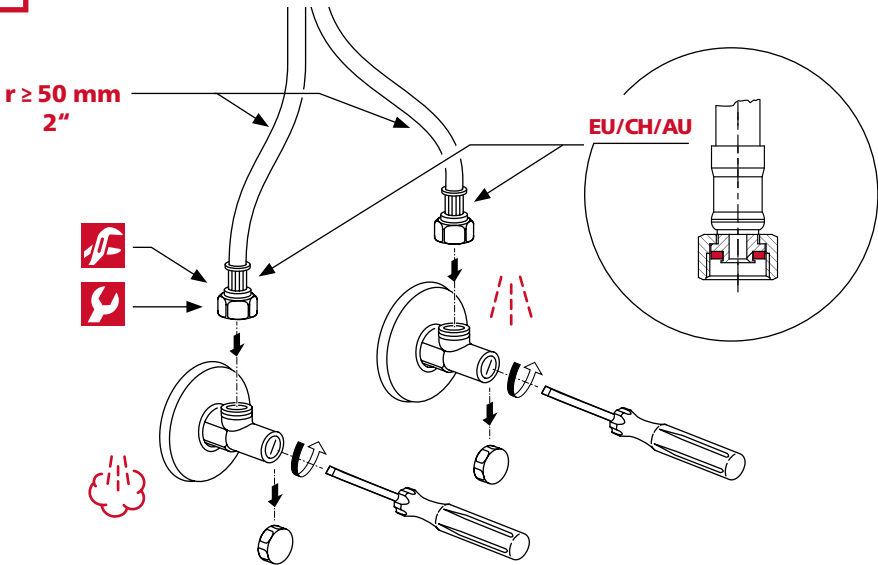
10.661.003.000FL



1

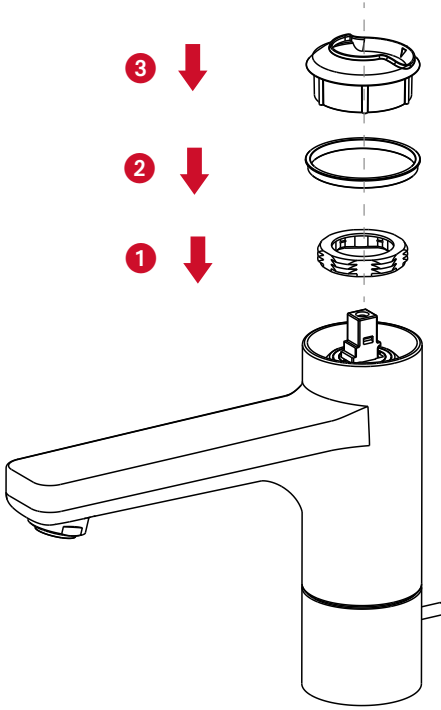


2

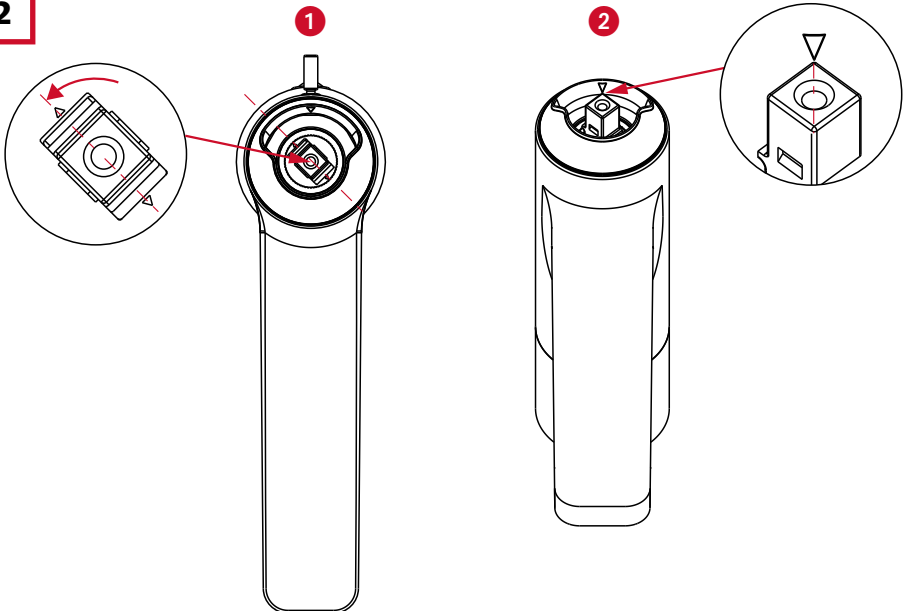




1



2

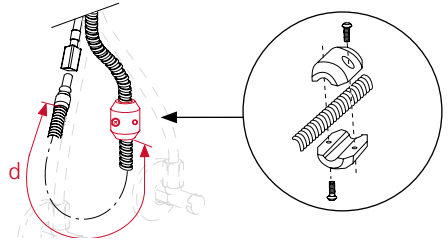
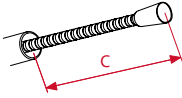




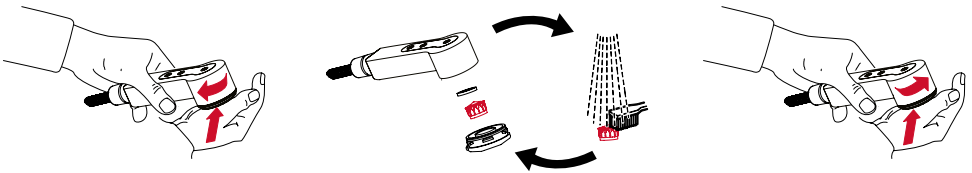
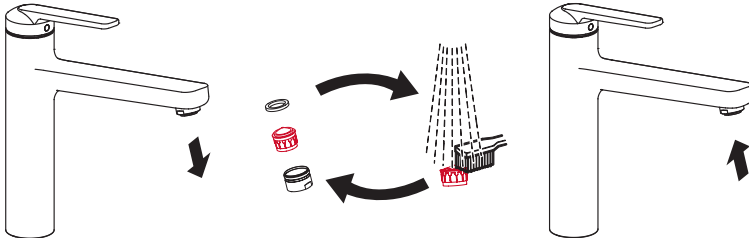
3

c = 500 mm / 19 11/16"

d = 700 mm / 27 1/2"

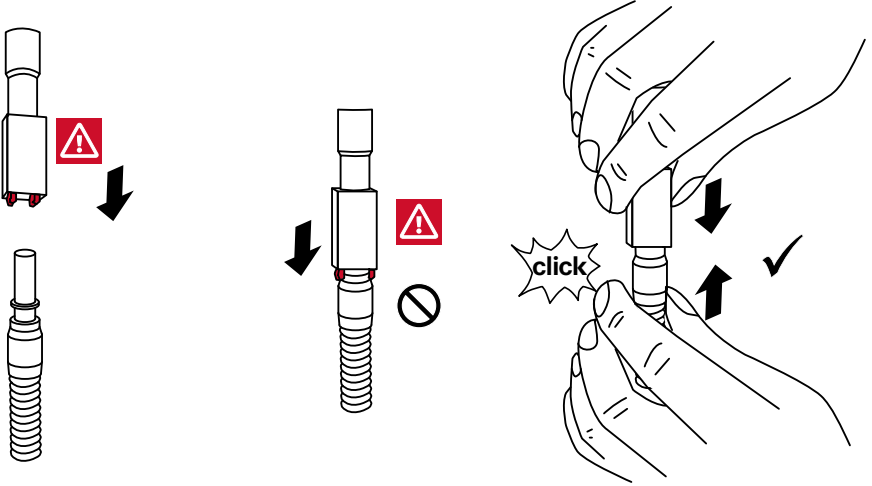


4

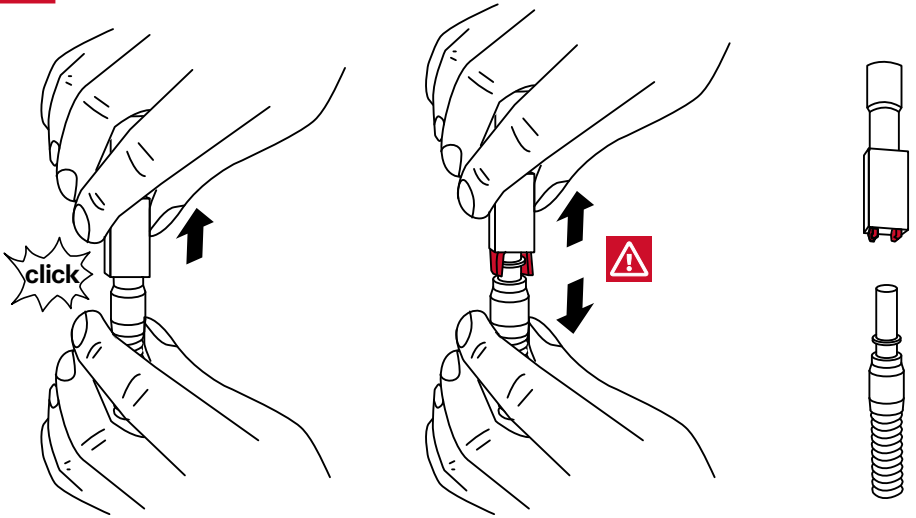


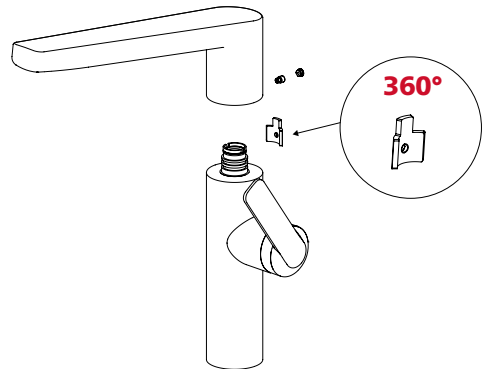
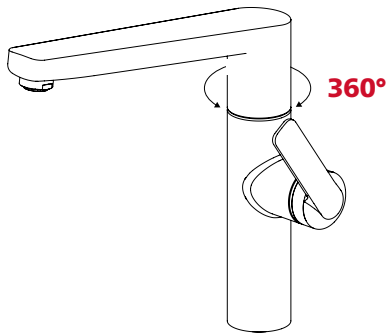
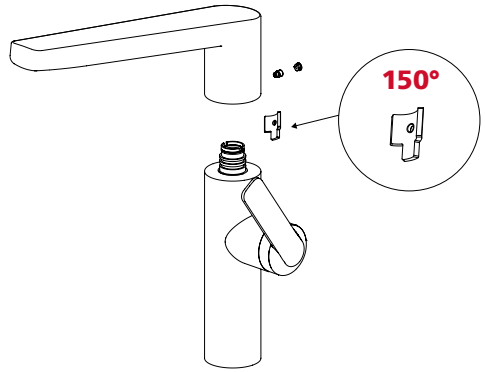
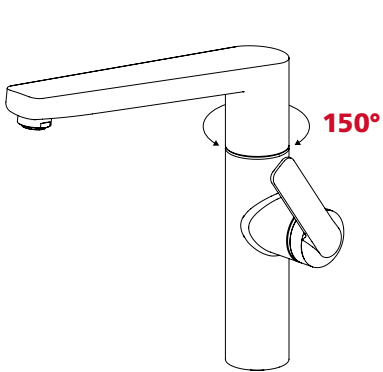


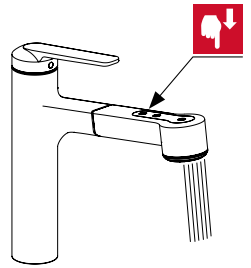
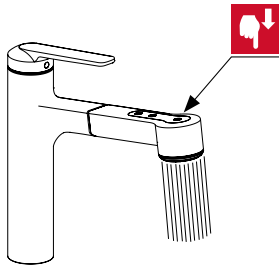
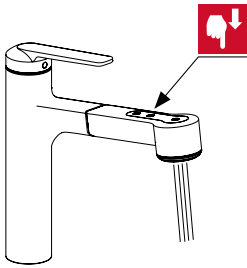
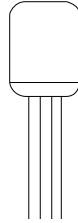
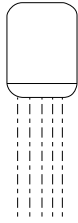
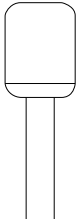
1



2









Installation

The product may only be installed by a qualified plumber.

Observe the local installation regulations and any country specific standards at all time.

Operating Data

Ideal operating pressure	3 bar
Maximum operating pressure	5 bar
Minimum operating pressure	1 bar
Equal pressure is recommended	

Ideal water temperature	60°C
Maximum water temperature	70°C

Environmental conditions

No cleaning agents or chemicals should be stored in the immediate vicinity of faucets and connection hoses.

Leaking vapors can damage the faucet and connection hoses.

Spare Parts

Only original spare parts may be used.



Flush Pipes

Flush the pipes according to the applicable standards before mounting the faucet.



General Cleaning Instructions

Faucet surface must be of room temperature before cleaning. Evaluated temperature increases damage of the surface. Cleaning instructions of the detergent manufacturer must be followed.

- Maintenance

Rub the faucet daily dry with a soft cloth. Never use corrosive cleaners or cleaning pads.

- Cleaning

Dirt or calcium deposits on the faucet surface must be removed with soft detergent or with soap water. Rinse well with water immediately after cleaning, until all detergent is removed from the surface. Dry with soft cloth.



Periodic Checks

For safety reasons, the connection and shower hoses must be checked periodically for the following:

- Watertightness

Damp or dripping hoses must be replaced.

- Corrosion

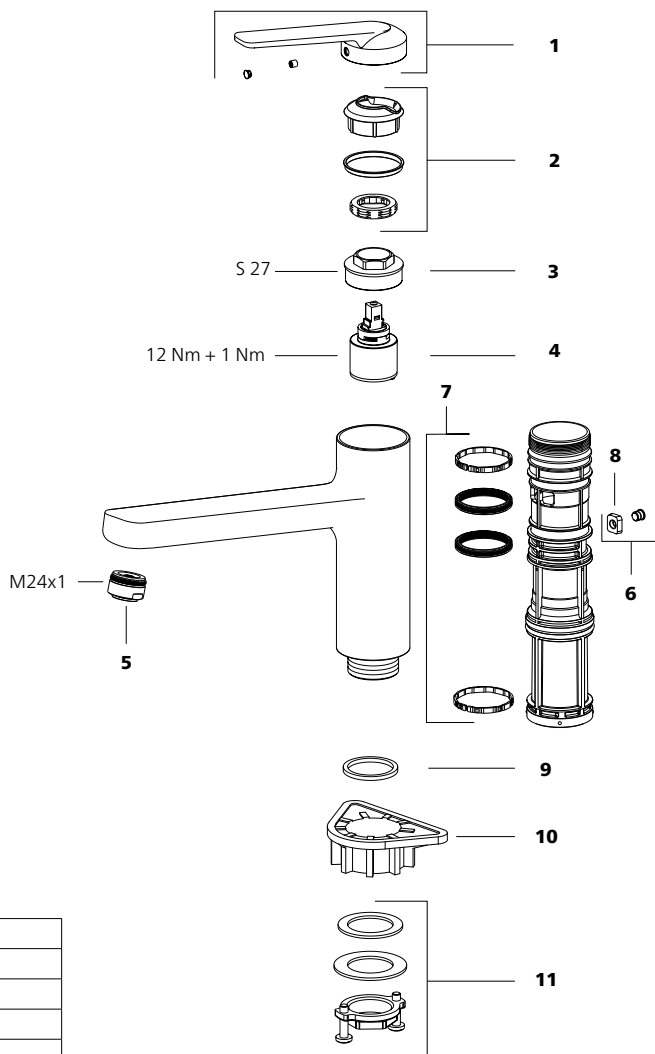
Hoses with rusty or oxidized surfaces must be replaced.

- Mechanical damage

Hoses that show signs of mechanical damage must be replaced.



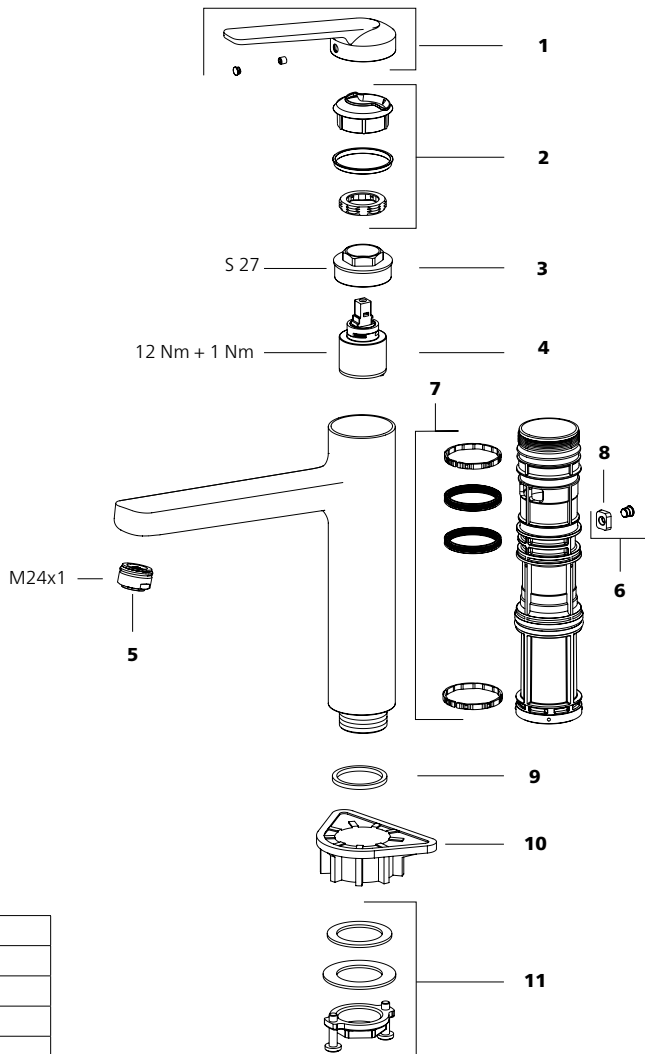
10.661.523.000FL



1	Z.538.299.000
2	Z.538.300.000
3	Z.638.844
4	Z.537.584
5	Z.537.103.000
6	Z.538.449
7	Z.538.958
8	Z.638.845.700
9	Z.638.911
10	Z.532.241
11	Z.538.315



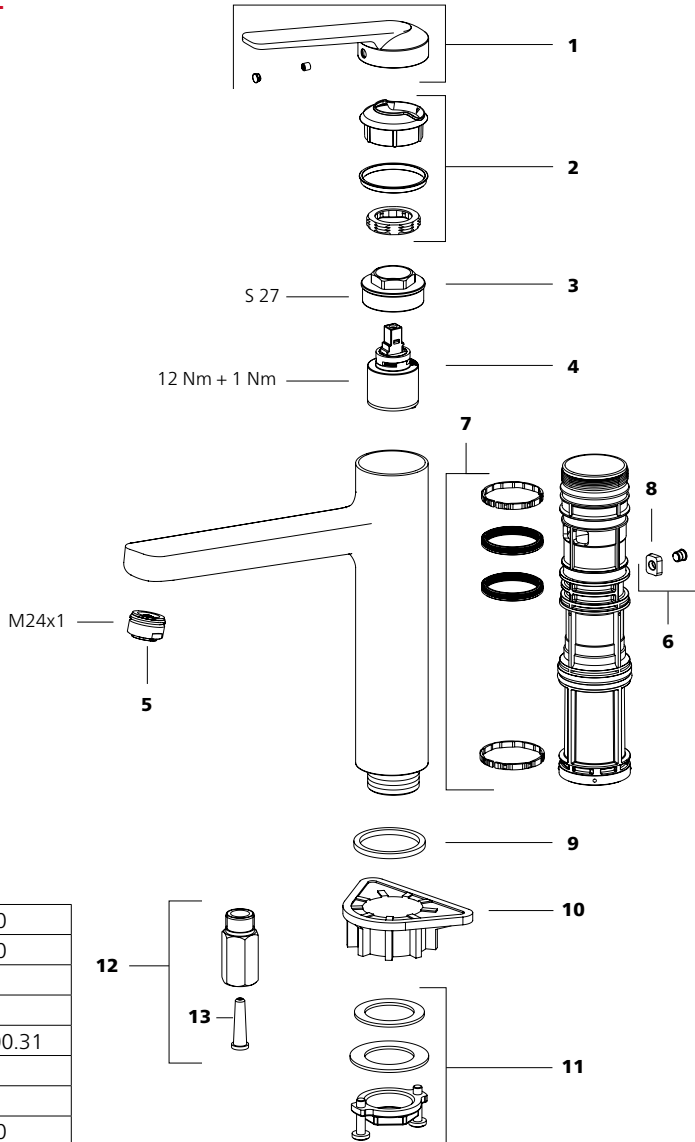
10.661.023.000FL



1	Z.538.299.000
2	Z.538.300.000
3	Z.638.844
4	Z.537.584
5	Z.537.103.000
6	Z.538.449
7	Z.538.440
8	Z.638.845.700
9	Z.638.911
10	Z.532.241
11	Z.538.315



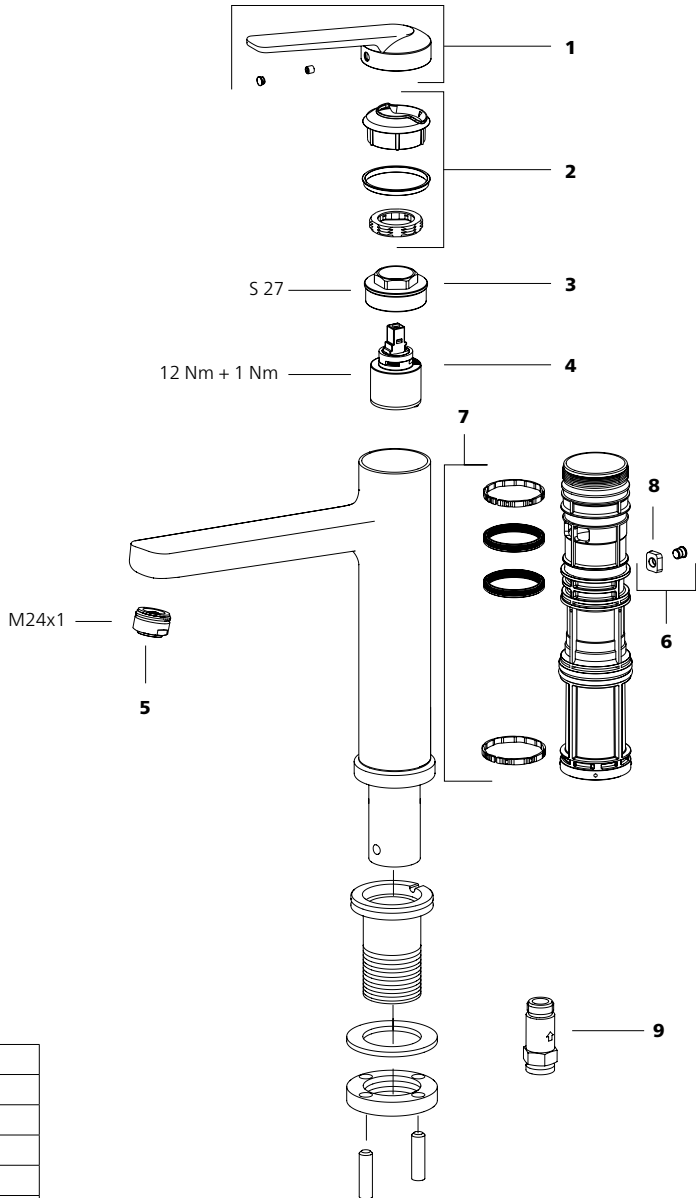
10.665.023.000FL



1	Z.538.299.000
2	Z.538.300.000
3	Z.638.844
4	Z.537.584
5	K.31.99.01.000.31
6	Z.538.449
7	Z.538.440
8	Z.638.845.700
9	Z.638.911
10	Z.532.241
11	Z.538.315
12	Z.538.367
13	Z.636.715



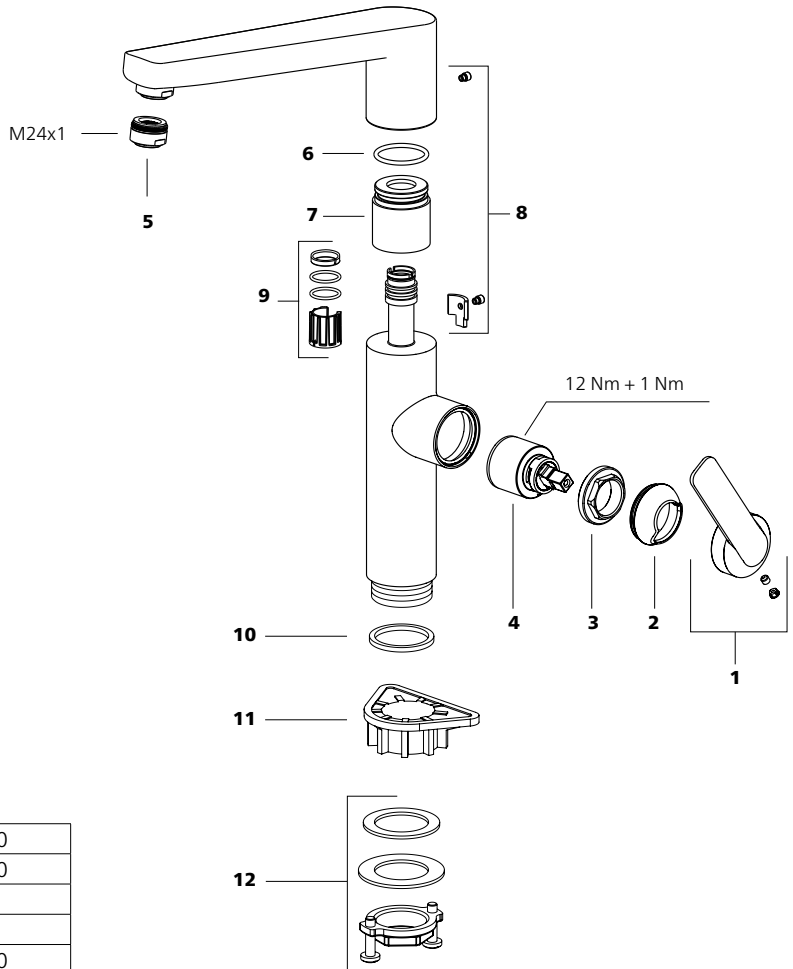
10.661.043.000FL



1	Z.538.299.000
2	Z.538.300.000
3	Z.638.844
4	Z.537.584
5	Z.537.103.000
6	Z.538.449
7	Z.538.440
8	Z.638.845.700
9	Z.536.223



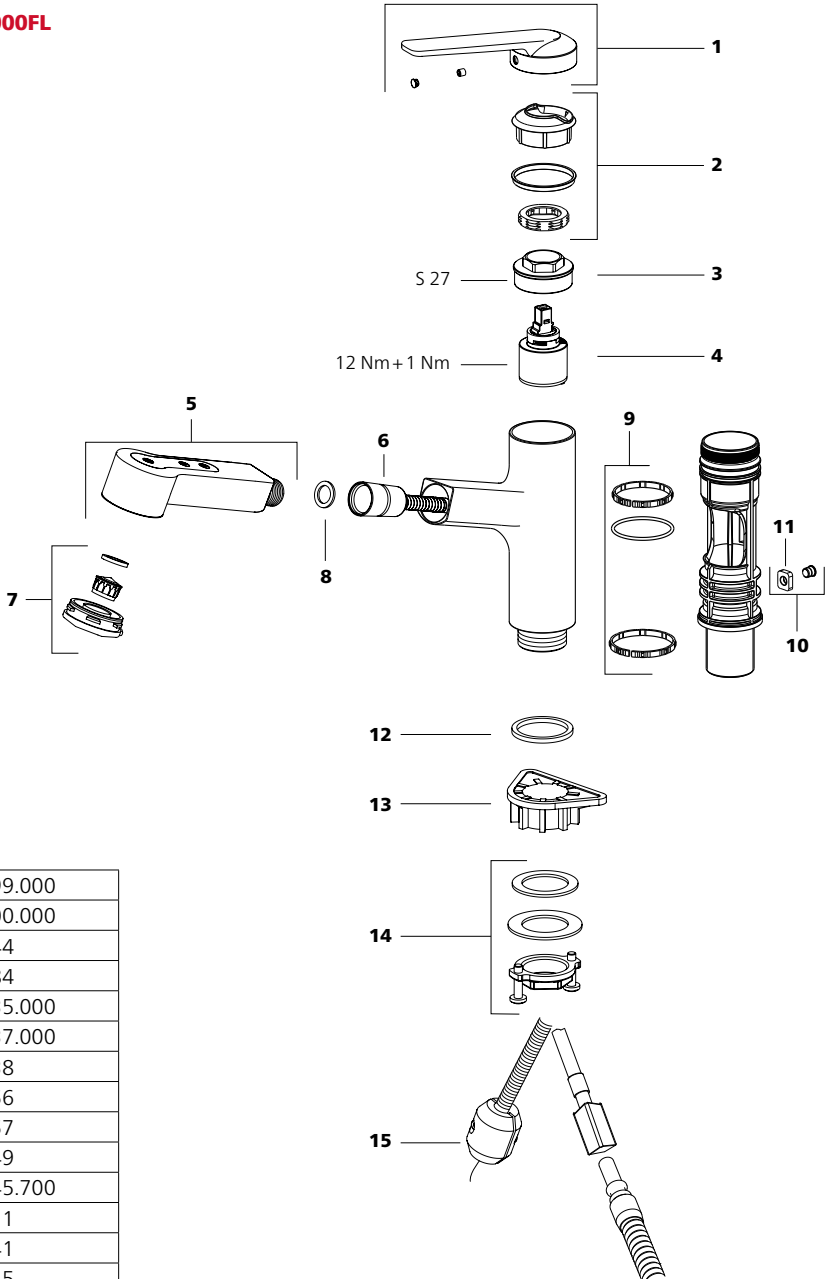
10.661.013.000FL



1	Z.538.442.000
2	Z.538.295.000
3	Z.638.844
4	Z.537.584
5	Z.537.103.000
6	Z.601.523
7	Z.639.340
8	Z.538.450
9	Z.538.578
10	Z.638.911
11	Z.532.241
12	Z.538.315



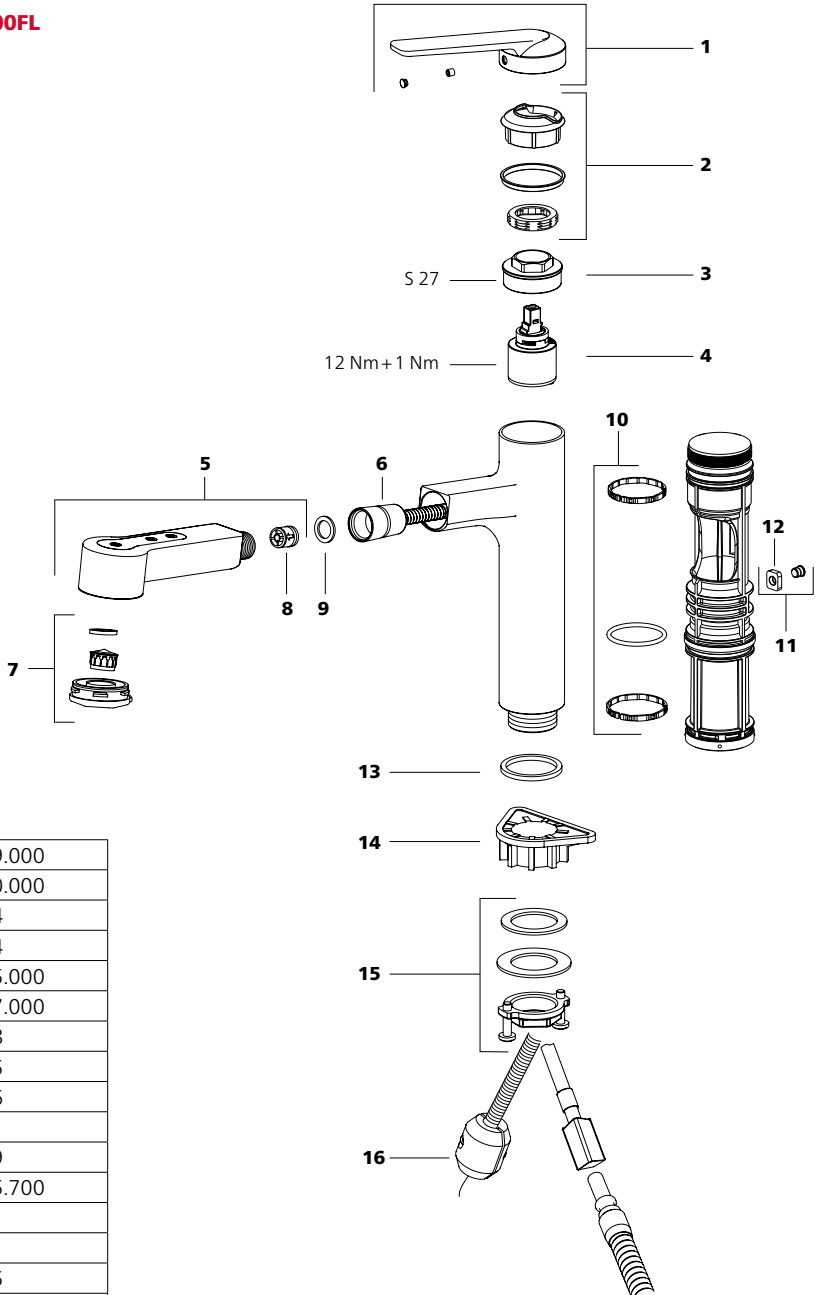
10.661.533.000FL



1	Z.538.299.000
2	Z.538.300.000
3	Z.638.844
4	Z.537.584
5	Z.538.435.000
6	Z.538.437.000
7	Z.538.438
8	Z.638.156
9	Z.538.957
10	Z.538.449
11	Z.638.845.700
12	Z.638.911
13	Z.532.241
14	Z.538.315
15	Z.535.773



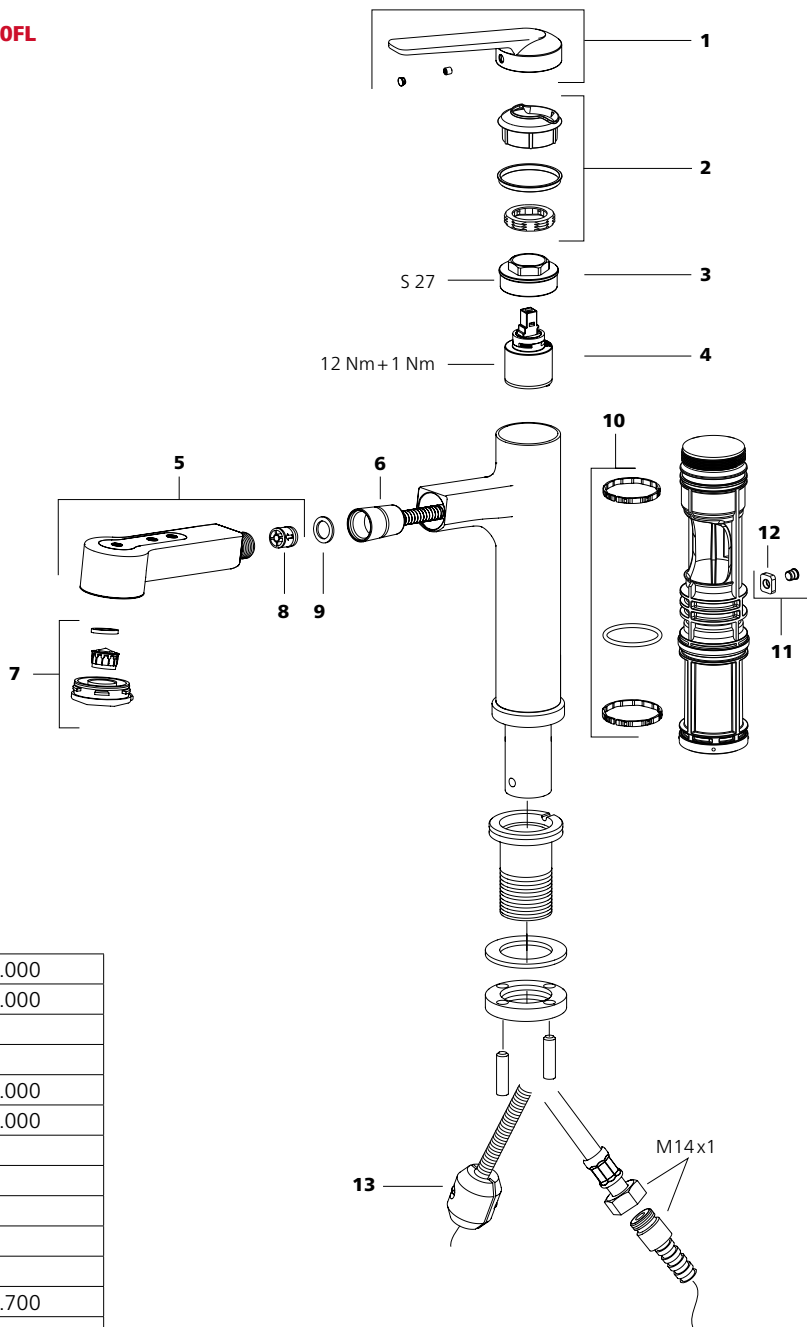
10.661.033.000FL



1	Z.538.299.000
2	Z.538.300.000
3	Z.638.844
4	Z.537.584
5	Z.538.435.000
6	Z.538.437.000
7	Z.538.438
8	Z.532.255
9	Z.638.156
10	Z.538.441
11	Z.538.449
12	Z.638.845.700
13	Z.638.911
14	Z.532.241
15	Z.538.315
16	Z.535.773



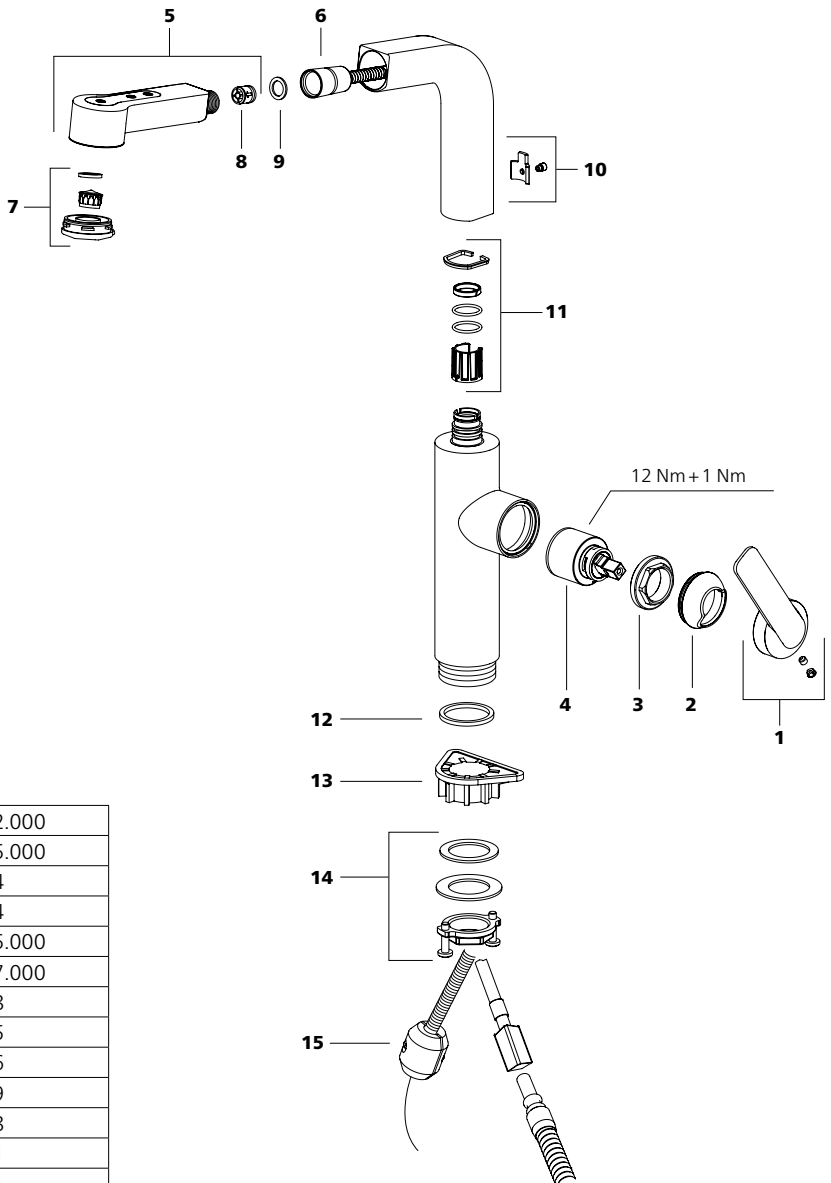
10.661.053.000FL



1	Z.538.299.000
2	Z.538.300.000
3	Z.638.844
4	Z.537.584
5	Z.538.435.000
6	Z.534.830.000
7	Z.538.438
8	Z.532.255
9	Z.638.156
10	Z.538.441
11	Z.538.449
12	Z.638.845.700
13	Z.535.773



10.661.003.000FL



1	Z.538.442.000
2	Z.538.295.000
3	Z.638.844
4	Z.537.584
5	Z.538.435.000
6	Z.538.437.000
7	Z.538.438
8	Z.532.255
9	Z.638.156
10	Z.538.579
11	Z.538.448
12	Z.638.911
13	Z.532.241
14	Z.538.315
15	Z.535.773