

K-20675 TRUE

1.5 BOWL DRAINER SINK RH 1000mm
CUT-OUT TEMPLATE / INSTALLATION INSTRUCTIONS

BEFORE YOU BEGIN

- ⚠ WARNING: Risk of personal injury. Metal surfaces are sharp and can cause severe cuts. Use gloves and handle sink edges carefully.**
- Observe all local plumbing and building codes.
 - Shut off the hot and cold water supplies.
 - Prior to installation, unpack the new sink and inspect it for damage. Return the sink to its protective carton until you are ready to install it.
 - Inspect the drain and supply tubing. Replace if necessary.
 - All information in these instructions is based on the latest product information available at the time of publication. Kohler china, reserves the right to make changes at any time without notice.
 - This product complies with ISO9001 and 2004/1033/EU.

RECOMMENDED TOOLS AND MATERIALS

- Safety Glasses
- Measuring Tape
- Pencil
- Drill
- Putty Knife
- Silicone Sealant
- Pipe Wrench
- Plumbers Putty

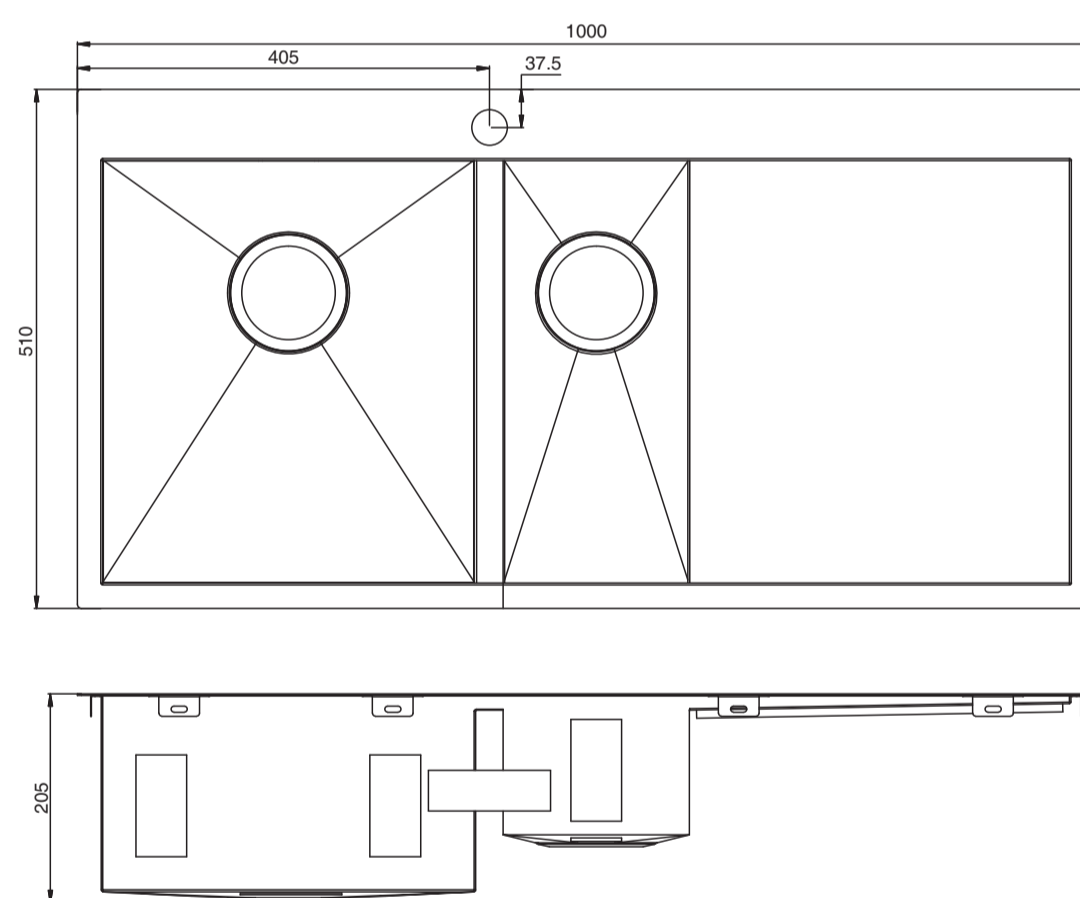
Plus:

- Level
- Cross Screwdriver
- Keyhole/Jigsaw
- Gloves

ROUGHING-IN

Reference Value

Unit: mm



Kohler reserves the right to change marked dimensions without prior notice.

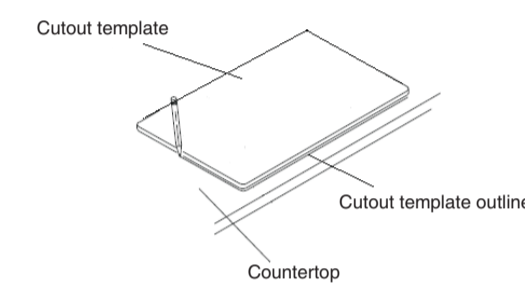
INSTALL THE NEW SINK

1. Preparation

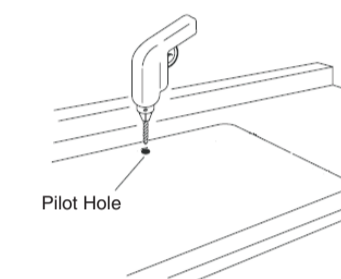
- ⚠ WARNING: Risk of personal injury. Metal surfaces are sharp and can cause severe cuts. Use gloves and handle sink edges carefully.**

For new installations:

- Cut along the line dedicated to the installation type as you desire.
- Carefully place the cutout template on the countertop in the desired position.
- Make sure the sink will not interfere with the cabinet.
- Trace the cutout template outline onto the countertop.
- Drill a pilot hole inside the cutting line. Using a jig or keyhole saw, cut along the outline to cut out the opening in the Countertop.



Trace the outline of the cutout template on the countertop with a pencil at the desired installation location.



Cut along the outline to cut out the opening in the countertop.

For existing installations:

- Carefully lift the old sink out of the countertop.
- Compare the existing cut-out to the required cut-out size.
- If needed, enlarge the cut-out hole according to the directions for new installations.

2. Install the Faucet Fitting and Drain

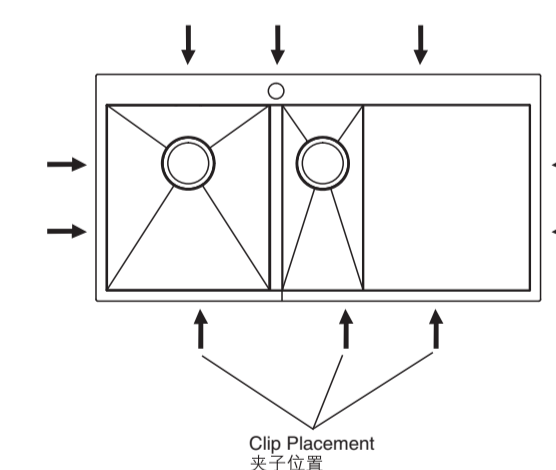
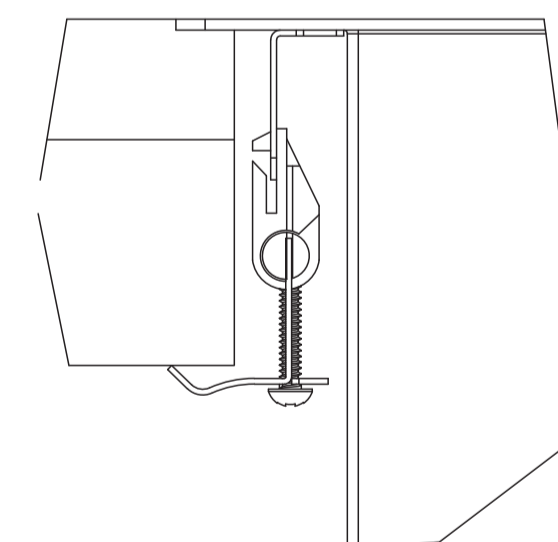
- Install the faucet overflow pipe and strainer according to the manufacturer's instructions.

NOTE: If you are reusing fittings from an old sink, use plumbers putty under the faucet base and top flange of the strainer.

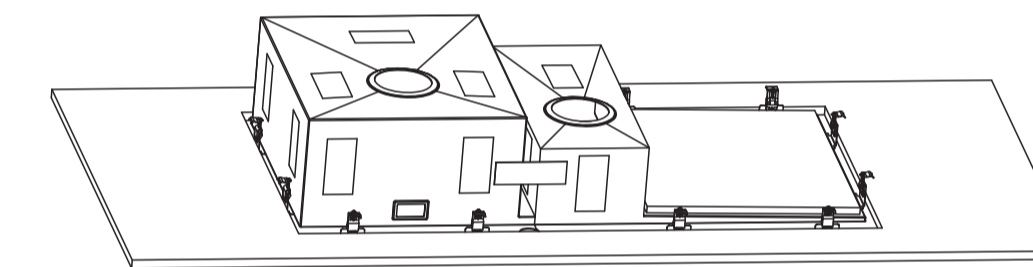
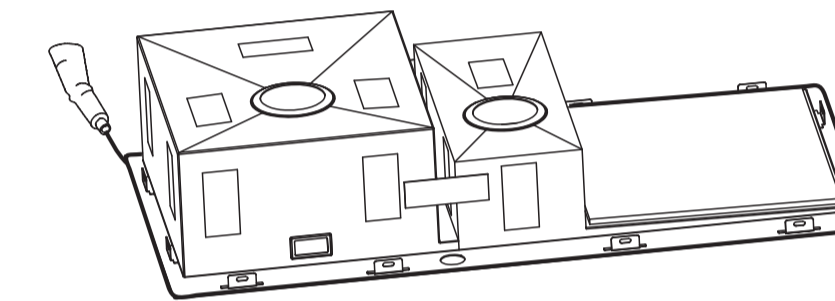
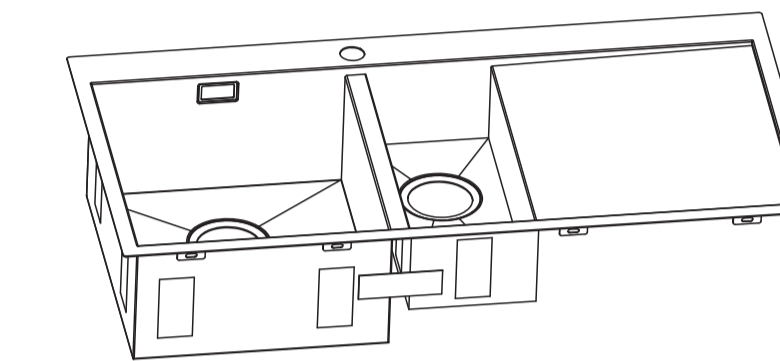
3. Install the Sink

Self-rimming Installation

- Place the sink into the cut-out hole, and adjust it to a proper position.
- Trace the outside outline of the sink onto the countertop.
- Polish the inner side of the outside outline until the inner side is about 2.5mm lower than the countertop.
- Apply a bead of quality sealant on the back rim of the sink.
- Position the sink onto the cut-out area. Please notice do not scratch the product surface.
- Install the clips into hole of the hook.
- Tighten the screws to lower the sink rim down onto the countertop. Do not overlighten.
- Reverse the countertop back and fix into the cabinet.
- Use a dry cloth to wipe away any excess sealant.
- Verify that there are no gaps.
- Allow the sealant to cure for at least 30 minutes.



Clip Placement
夹子位置



4. Connect Water Supply and Test

- Install the garbage disposal, if used, according to the manufacturer's instructions.
- Connect and tighten the trap to the strainer, and complete the water supply connections to the faucet according to the instructions packed with the faucet.
- Run water into the sink and check for leaks.

CARE AND CLEANING

Stainless Steel

Rinse your stainless steel sink thoroughly after each use, and use a dabbing action to dry with a clean, soft cloth. Clean stainless steel once a week.

Always apply stainless steel cleaner/polish with a nonabrasive cloth or sponge, working with, not across the grain. Do not use steel wool, wire brushes or abrasive pads to clean your sink.

If you use cleaners containing chlorides, be sure to rinse the surface immediately after you clean it to avoid corrosion. Do not allow cleaners to remain in contact with the sink surface for long periods of time.

Kohler kitchen sink accessories, including bottom basin racks, wire rinse baskets, cutting boards and colanders will help protect the surface of your sink.

If the surface becomes excessively dirty, consider using baking soda, or a general purpose cleaner.



Kohler Mira Limited
Cromwell Road, Cheltenham, Gloucestershire, GL52 5EP, United Kingdom

EN 13310:2015
Kitchen sink made of stainless steel
Cleanability Pass
Load resistance NPD/NA
Durability Pass

WHEN PLOTTING TEMPLATE FULL SIZE:
Make sure horizontal and vertical dimensions
match the dimensions labeled on the template.

492mm

982mm

RIM OF SINK