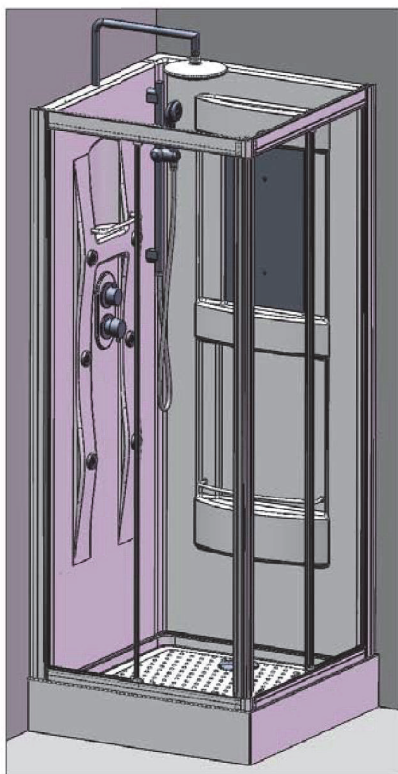


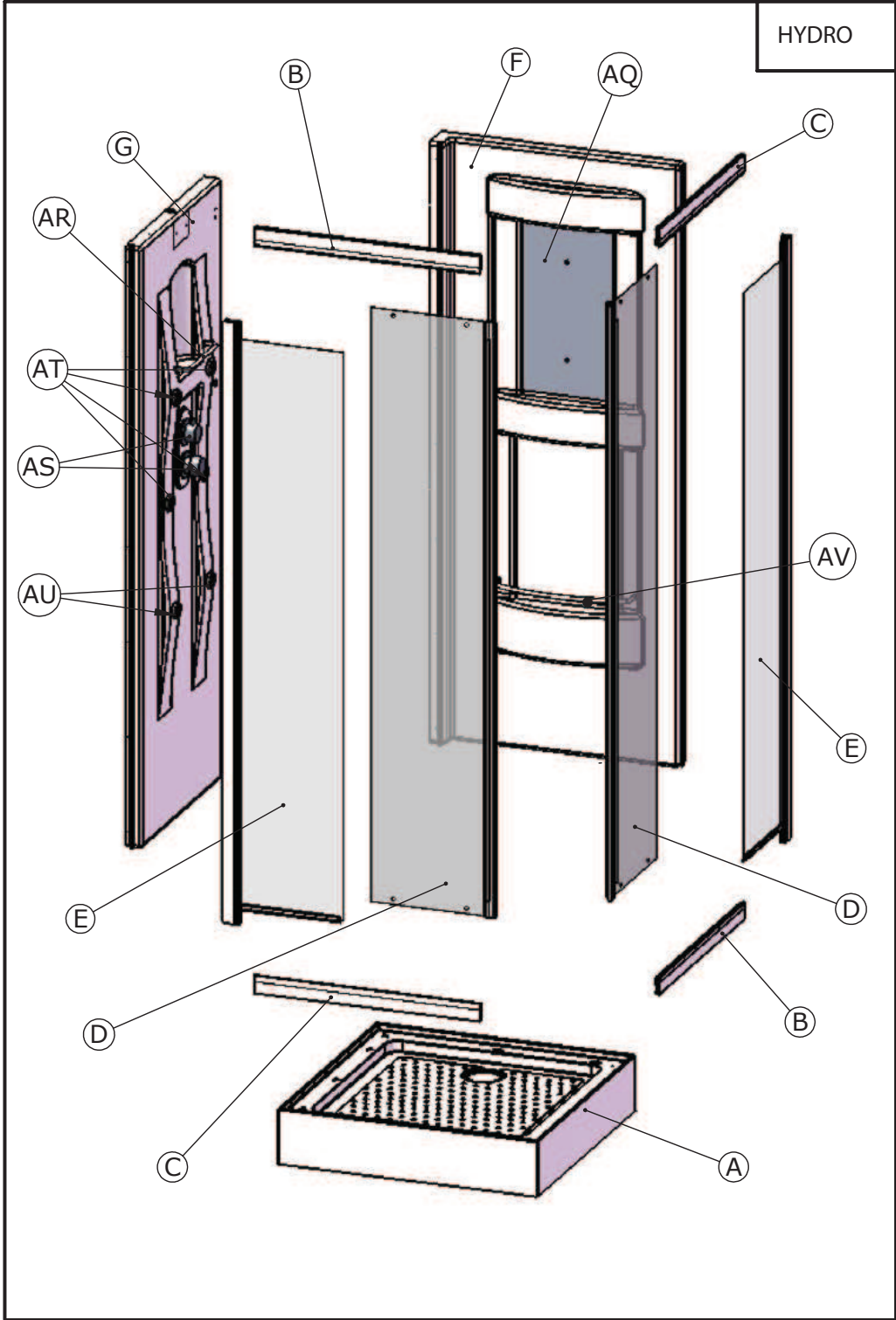
# NOTICE DE MONTAGE *INSTALLATION INSTRUCTIONS*



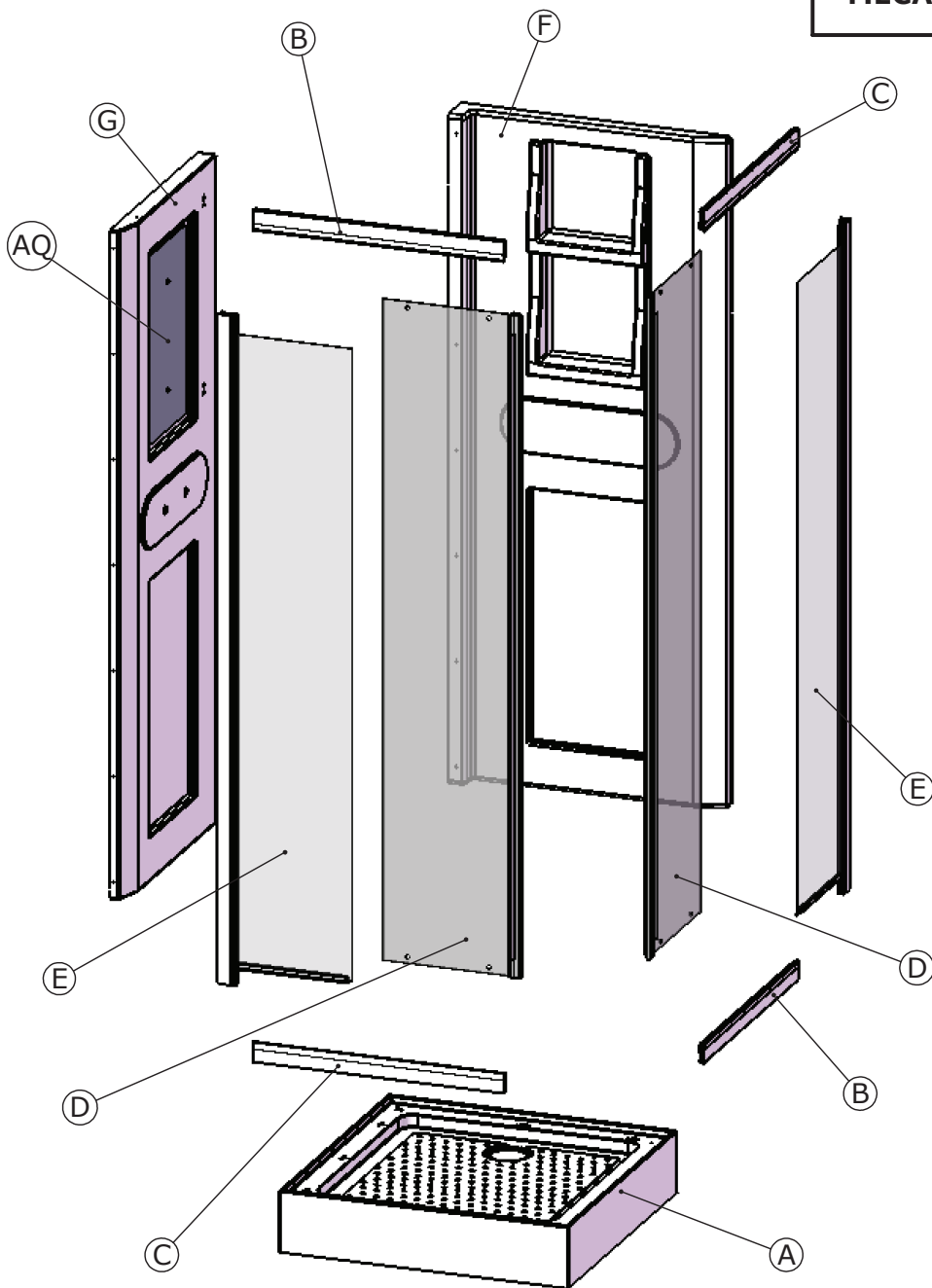
MECA



HYDRO

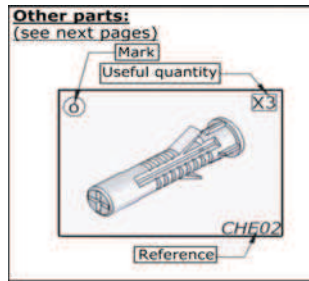
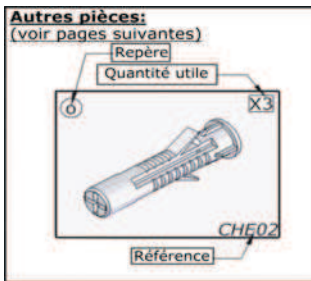


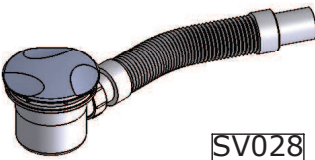
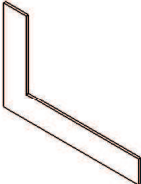

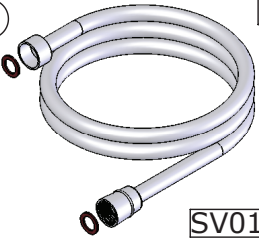
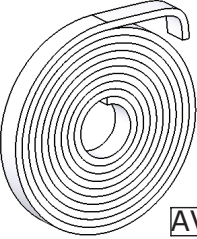
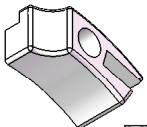
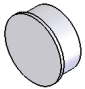
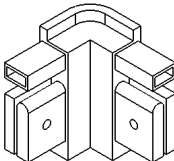
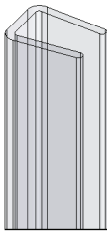
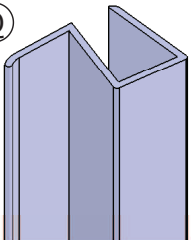
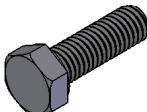

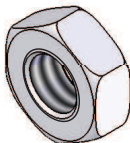
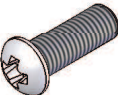
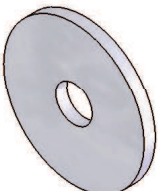
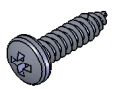

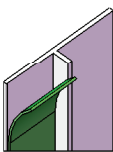
Les quantités données sont les quantités utiles au montage. Les sachets fournis contiennent des pièces supplémentaires.  
The quantities given are what are required for the installation. There may be some surplus parts in the package provided.



**CODE COLIS (Voir repères en page 2)**  
**PACKAGE CODE (See marks on page 2)**

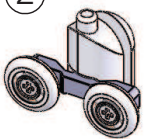
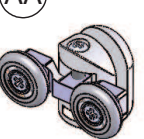
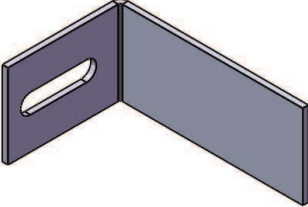
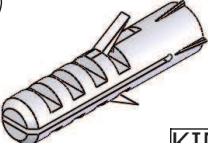
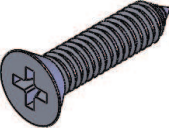
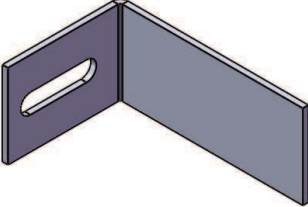
	VERRE GRANITE				VERRE TRANSPARENT	
	MECA		HYDRO		HYDRO	
	80X80	90X90	80X80 HT	90X90 HT	80X80 HT	90X90 HT
<b>A</b>	REC111	REC112	REC191	REC192	REC318	REC319
<b>B</b>	KIN016	KIN017	KIN016	KIN017	KIN016	KIN017
<b>C</b>						
<b>D</b>	KIN032	KIN034	KIN032	KIN034	KIN065	KIN067
<b>E</b>	KIN033	KIN035	KIN033	KIN035	KIN066	KIN068
<b>F</b>	KIN063	KIN064	KIN044	KIN046	KIN044	KIN046
<b>G</b>	KIN043	KIN045	KIN059	KIN060	KIN059	KIN060
<b>AQ</b>	KIN003					
<b>AR</b>			KIN042		KIN042	
<b>AS</b>	KIN036		KIN029		KIN029	
<b>AT</b>			BUS22		BUS22	
<b>AU</b>			BUS23		BUS23	
<b>AV</b>			KIN062		KIN062	



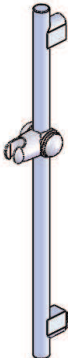


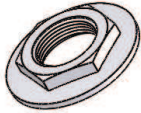
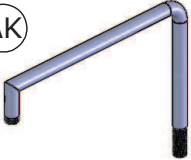
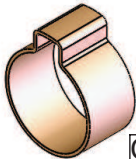
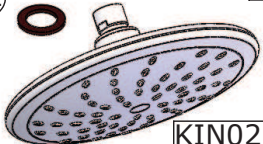
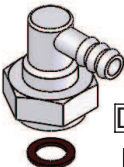
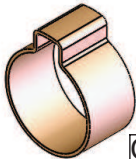
<p>(H) x1</p>  <p>SV028 SV261</p>	<p>(I) x2</p>  <p>KIN005 KIN006</p>	<p>(J) x1</p>  <p>SV304</p>
<p>(K) x1</p>  <p>SV018</p>	<p>(L) x3</p>  <p>AV021</p>	<p>(M) x4</p>  <p>KIN008 KIN009</p>
<p>(N) x4</p>  <p>KIN008 KIN009</p>	<p>(O) x2</p>  <p>KIN010</p>	<p>(P) x1</p>  <p>AV126</p>
<p>(Q) x4</p>  <p>KIN025</p>	<p>(R) x7</p>  <p>KIN002</p>	<p>(S) x14</p>  <p>KIN002</p>
<p>(T) x7</p>  <p>KIN002</p>	<p>(U) x6</p>  <p>KIN002</p>	<p>(V) x6</p>  <p>KIN002</p>
<p>(W) x24</p>  <p>KIN015</p>	<p>(X) x8</p>  <p>KIN015</p>	<p>(Y) conditionné x2 sous le receveur <i>Packed under shower tray</i></p>  <p>KIN001</p>

Les quantités données sont les quantités utiles au montage. Les sachets fournis contiennent des pièces supplémentaires. The quantities given are what are required for the installation. There may be some surplus parts in the package provided.


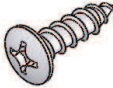

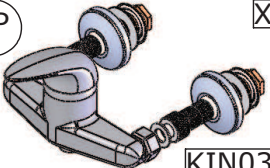
# DES 6521

 <p>Z x4 KIN108</p>	 <p>AA x4 KIN107</p>	 <p>AB x2 KIN002</p>
 <p>AC x2 KIN002</p>	 <p>AD x2 KIN002</p>	 <p>KIN002</p>

## HYDRO

 <p>AE x1 KIN030</p>	 <p>AF x2</p>	 <p>AG x2</p>
 <p>AJ x2</p>	 <p>AK x1 KIN028</p>	 <p>AI x1 CLR03</p>  <p>AL x1 KIN027</p>
 <p>AH x1 DOU08 JOI16</p>	 <p>AI x1 CLR03</p>	

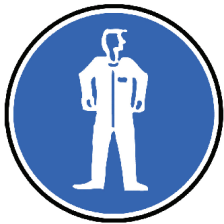
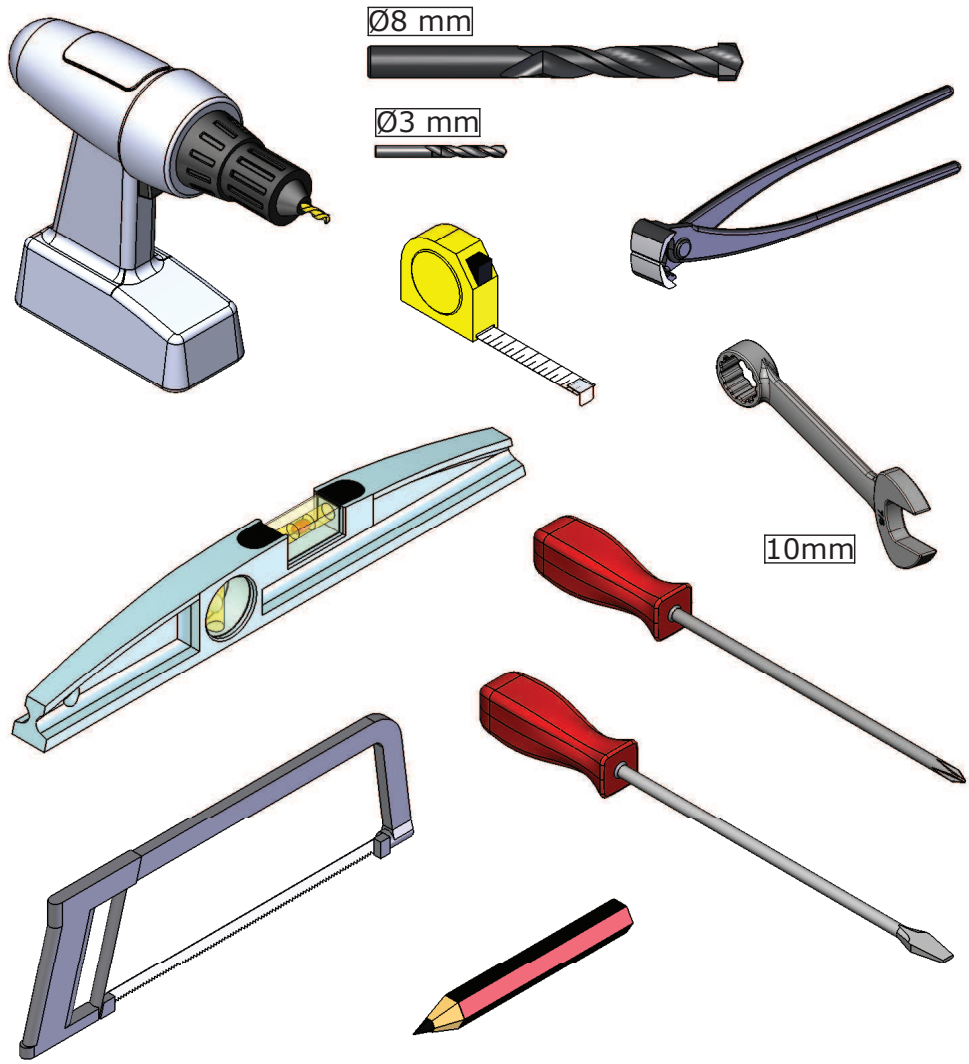
## MECA

 <p>AM x1 KIN014</p>	 <p>AN x4 KIN014</p>	 <p>AO x4 KIN014</p>
 <p>AP x1 KIN036</p>		

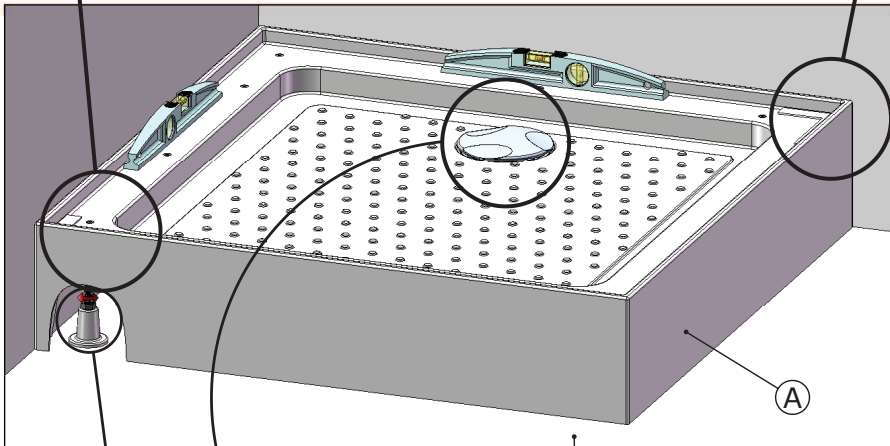
Les quantités données sont les quantités utiles au montage. Les sachets fournis contiennent des pièces supplémentaires. The quantities given are what are required for the installation. There may be some surplus parts in the package provided.

# Matériel nécessaire

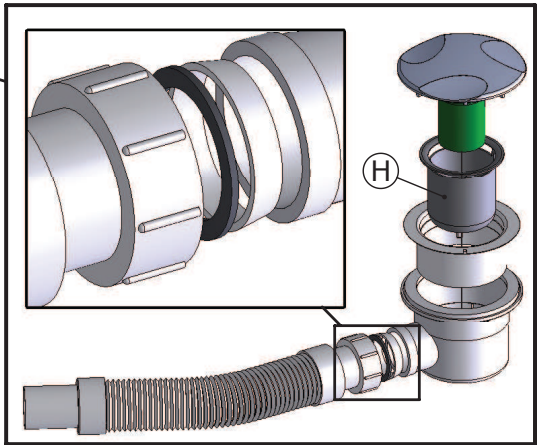
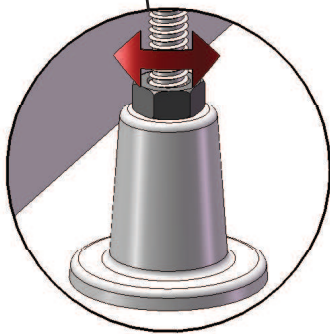
## *Tools required*



01



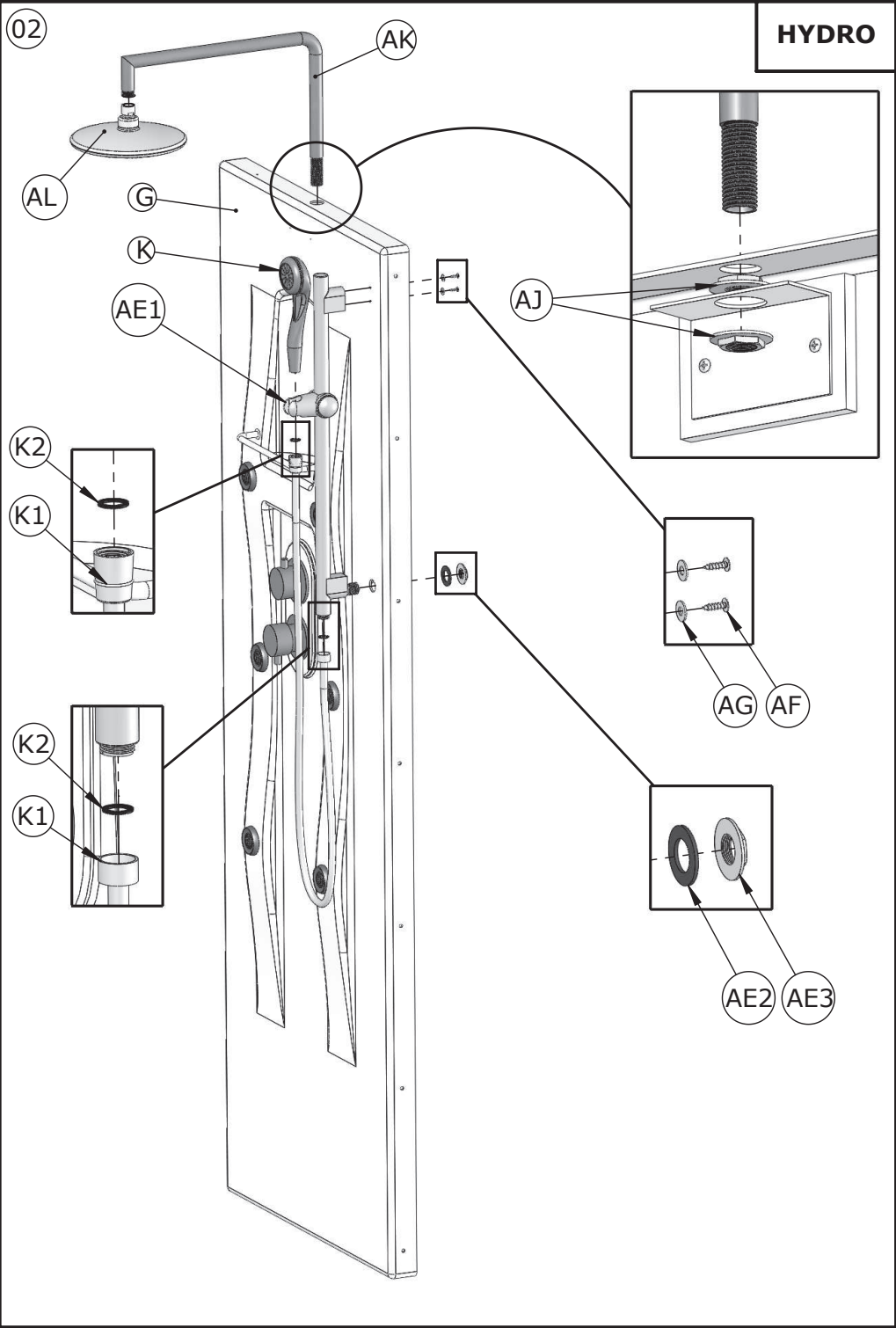
Sol rigide indispensable  
*The underlying surface must be perfectly rigid*

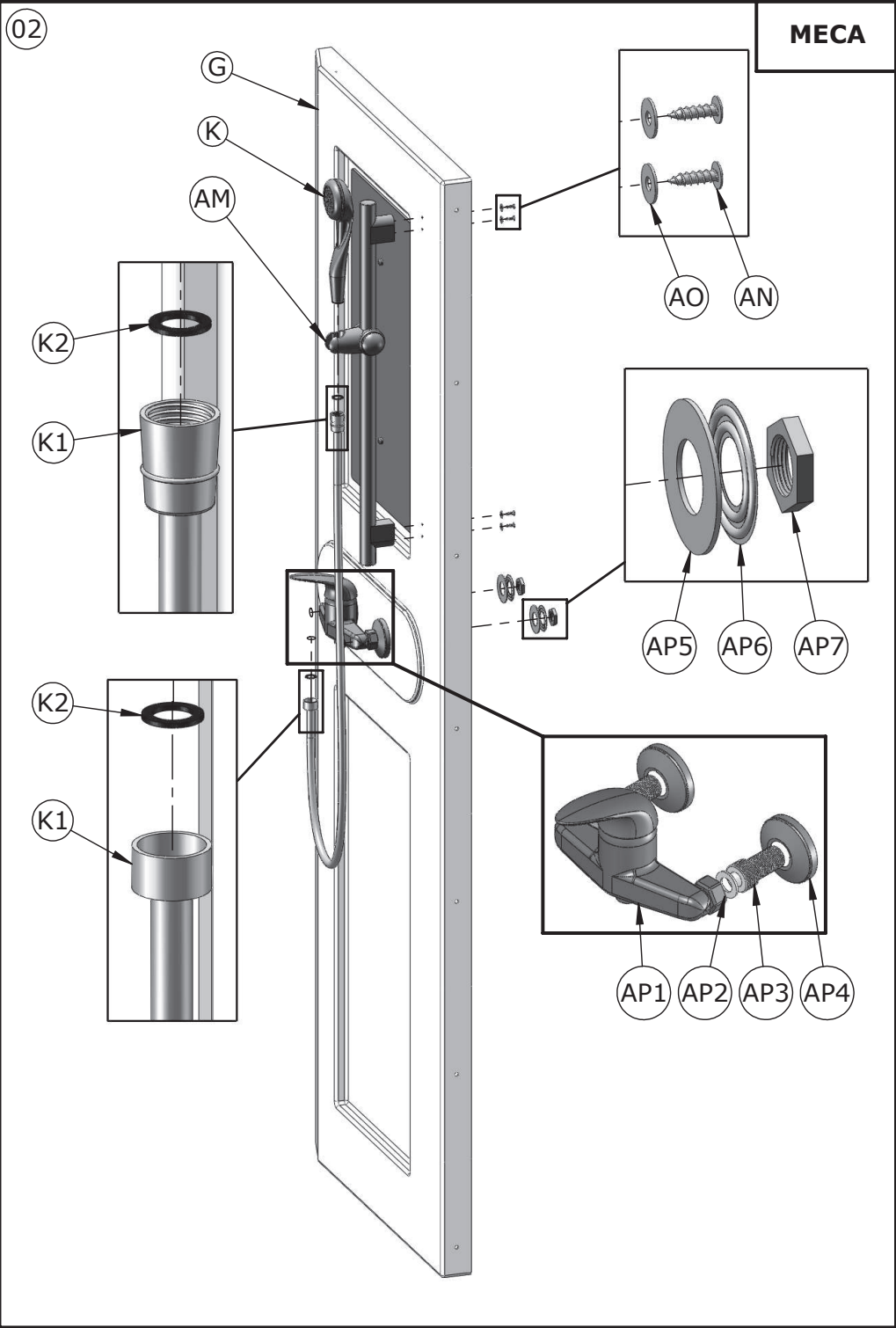


NE PAS METTRE DE COLLE ENTRE LE JOINT DE BONDE ET LE RECEVEUR.  
*DO NOT PUT GLUE BETWEEN THE WASTE TRAP SEAL AND THE TRAY.*



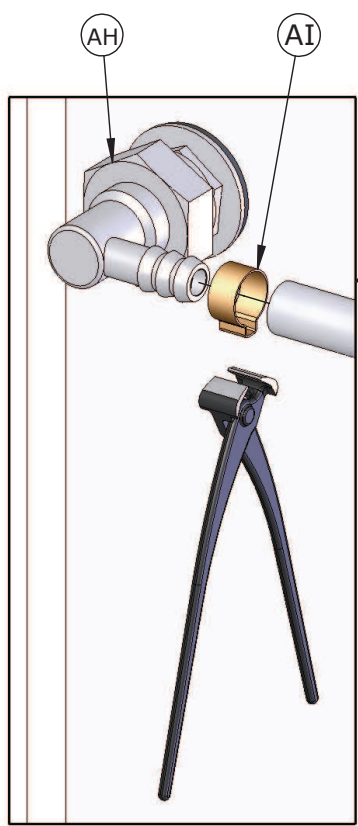
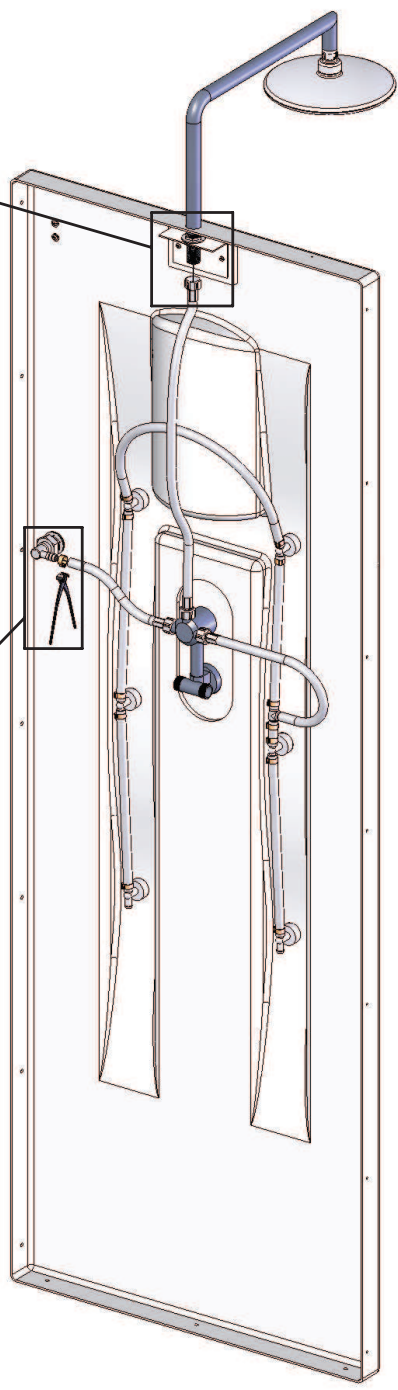
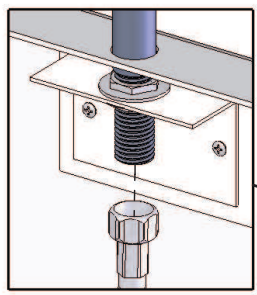
**HYDRO**

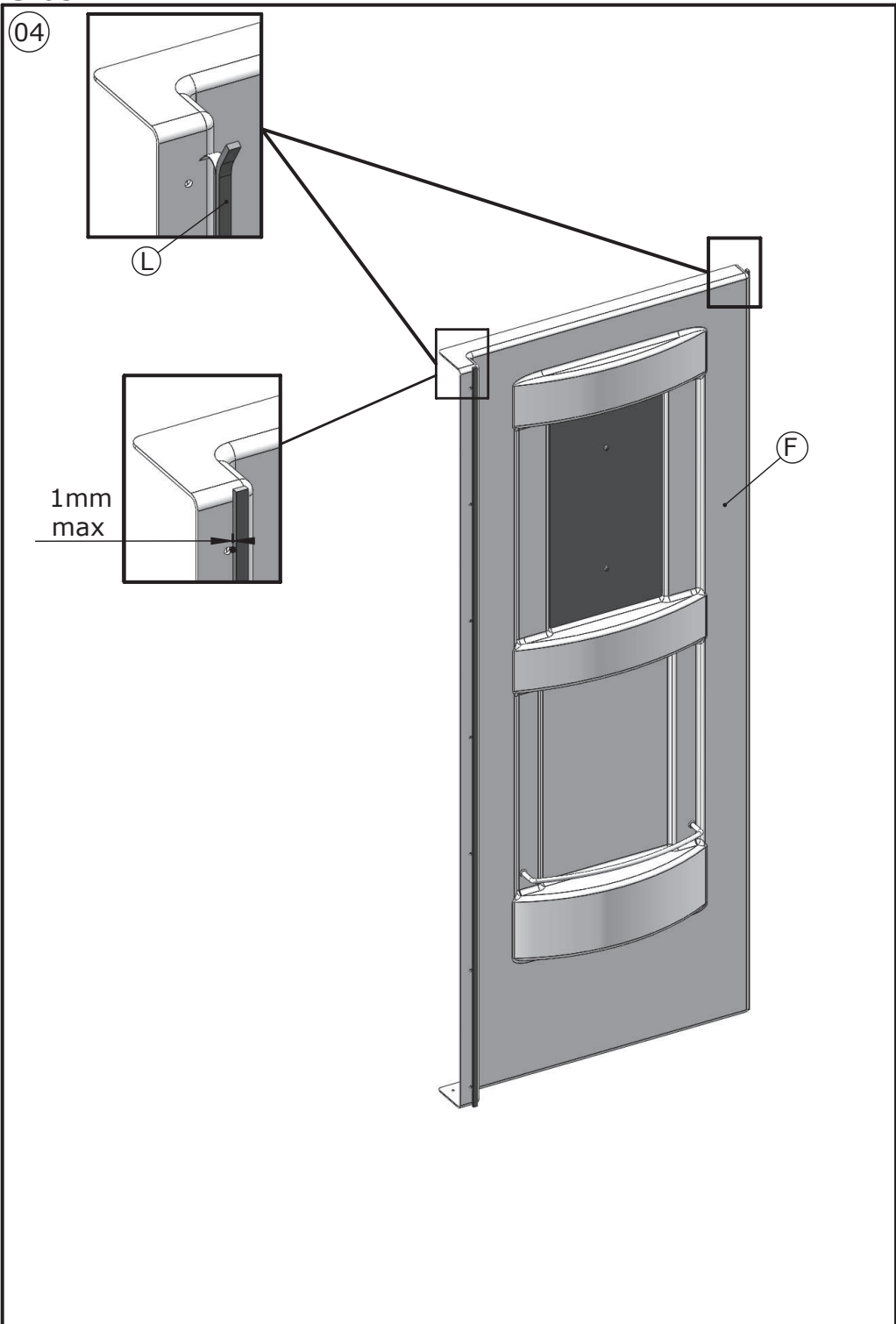




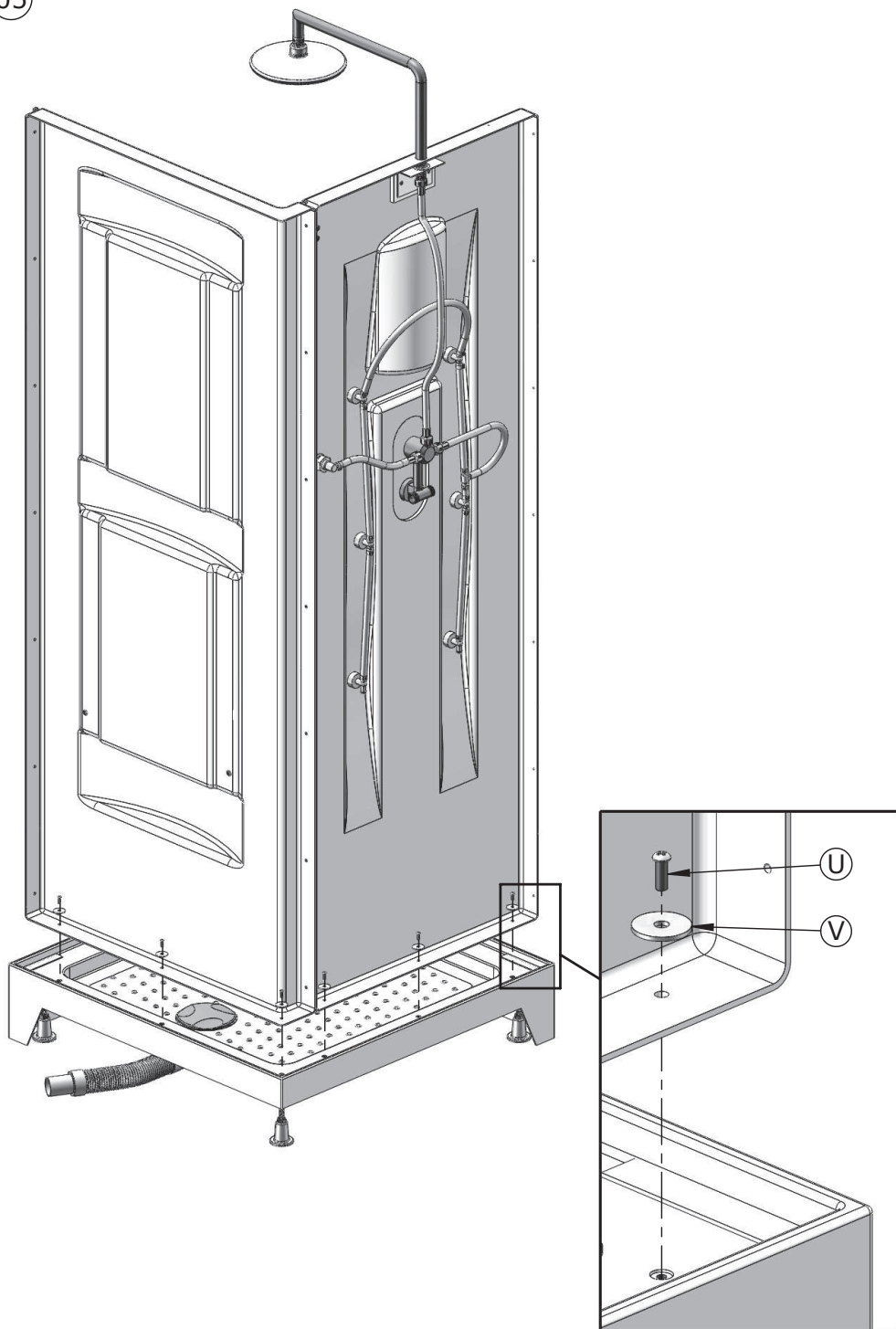
**HYDRO**

03

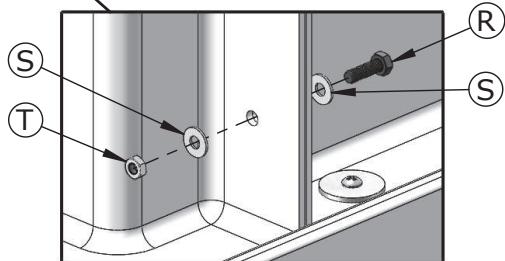
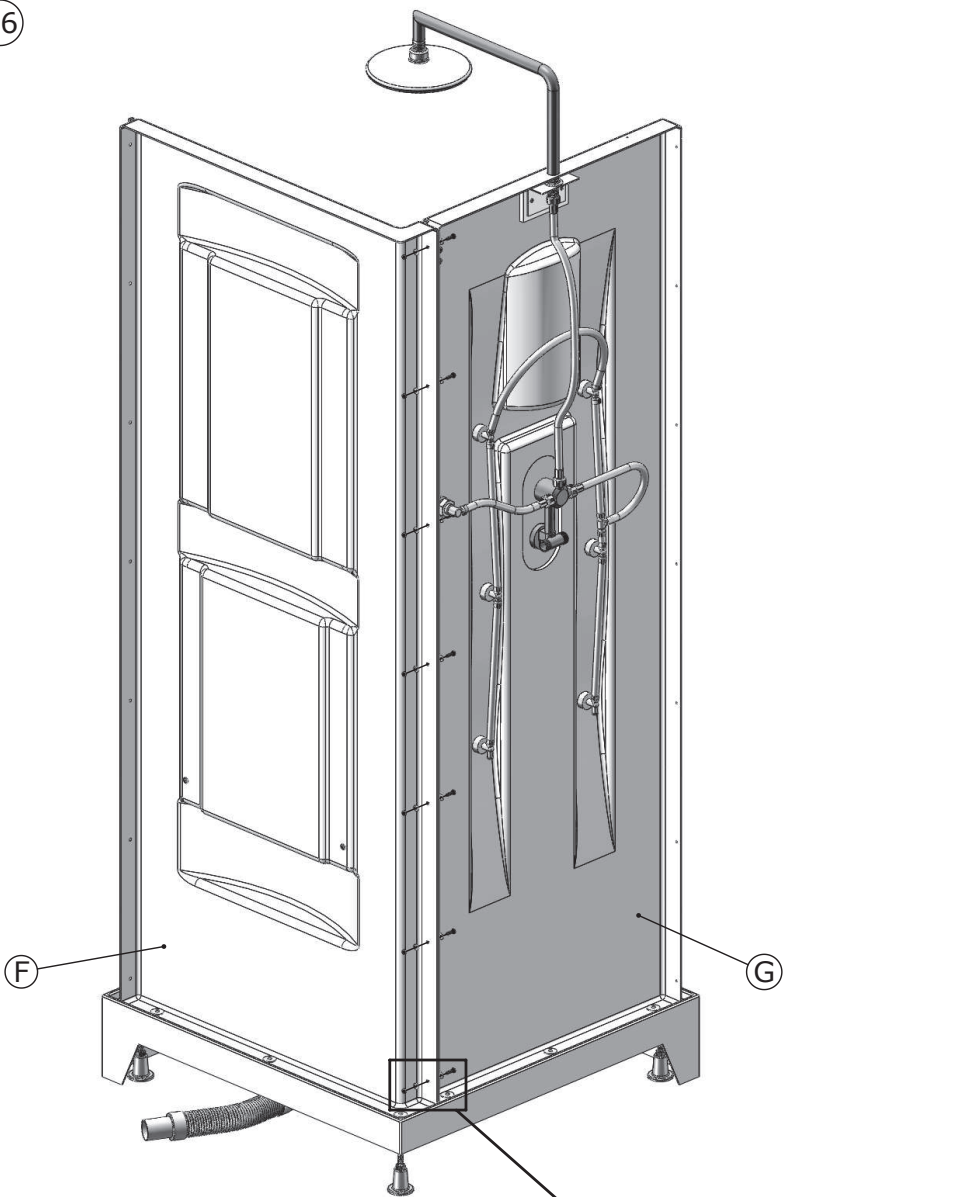


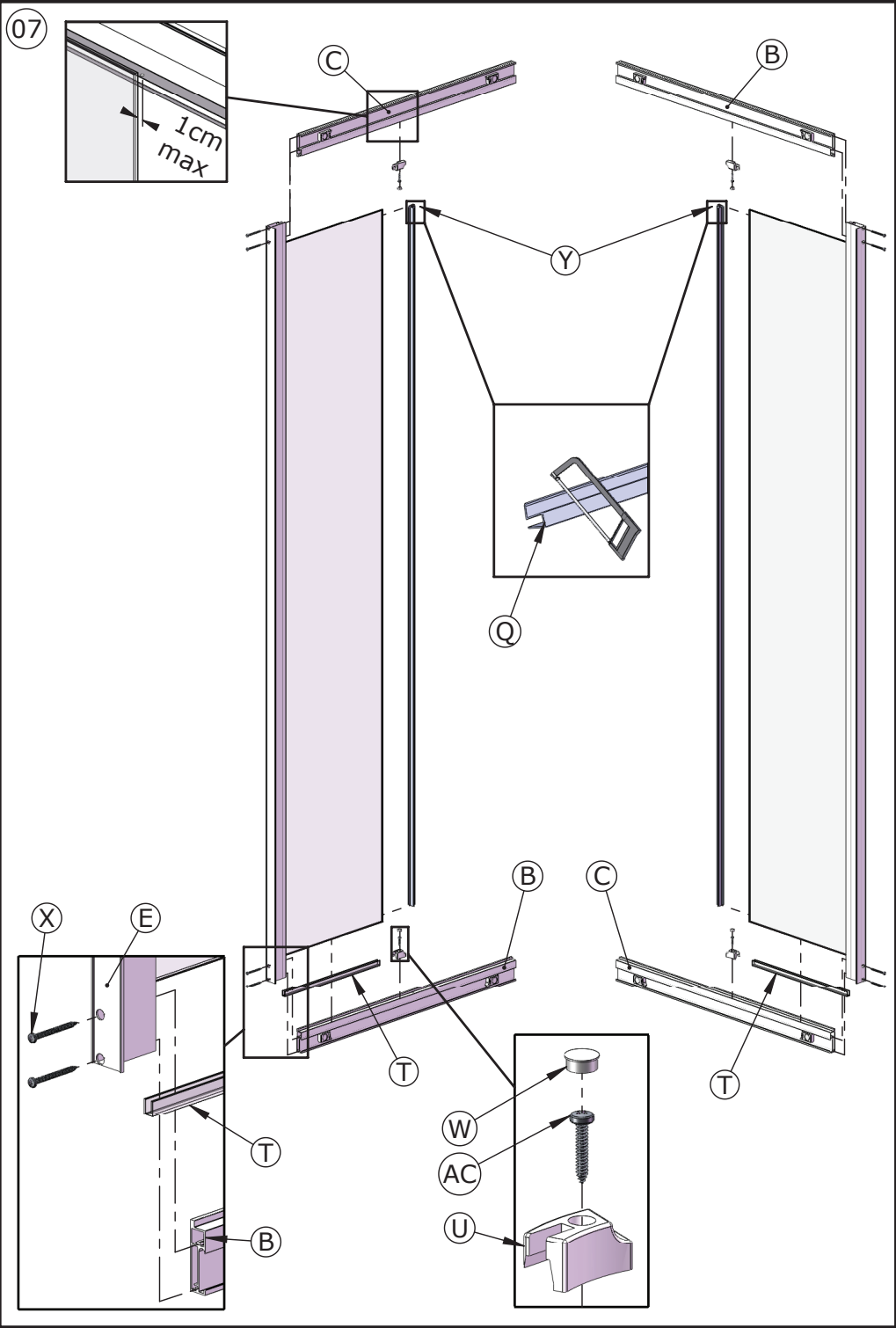


05

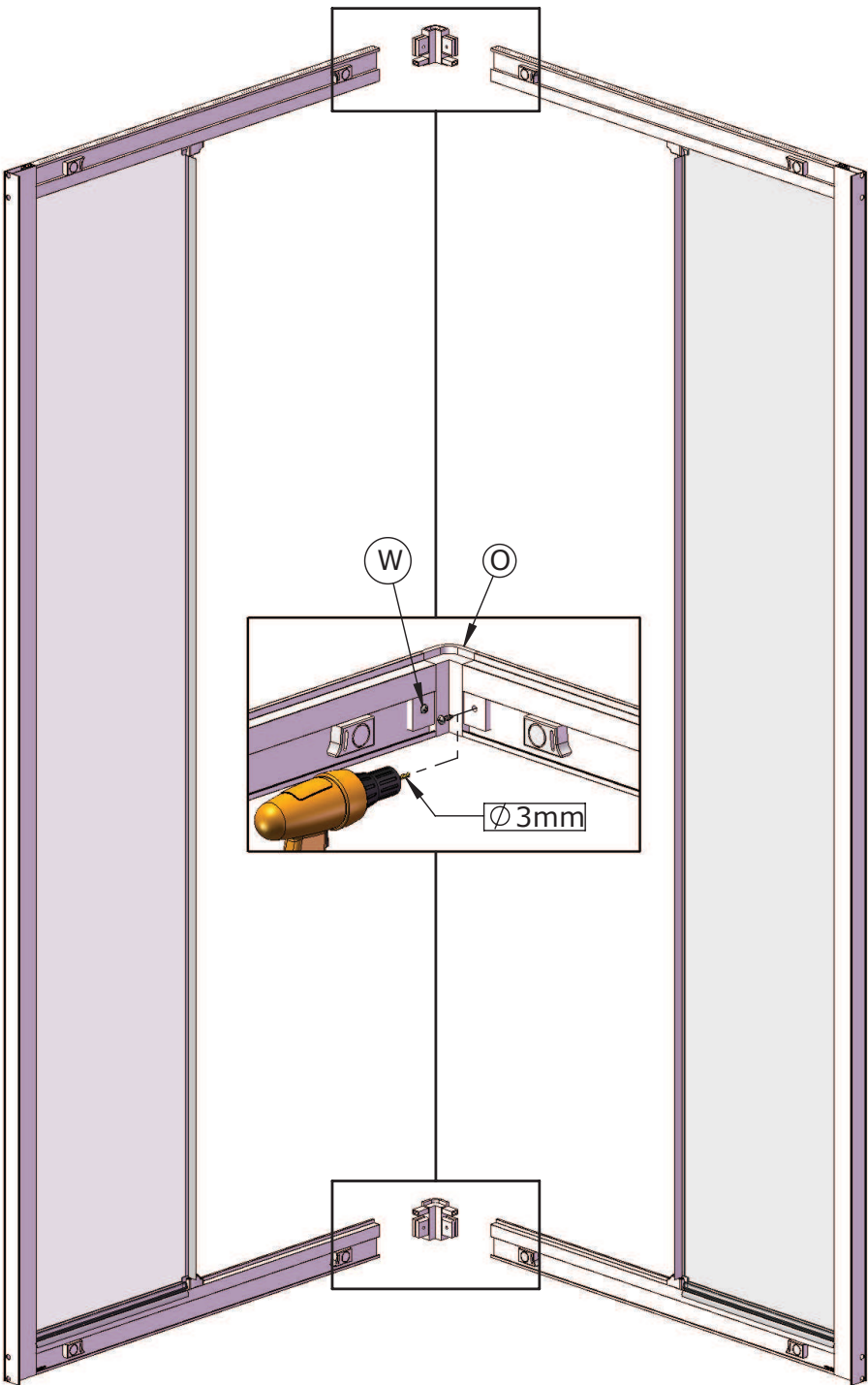


06

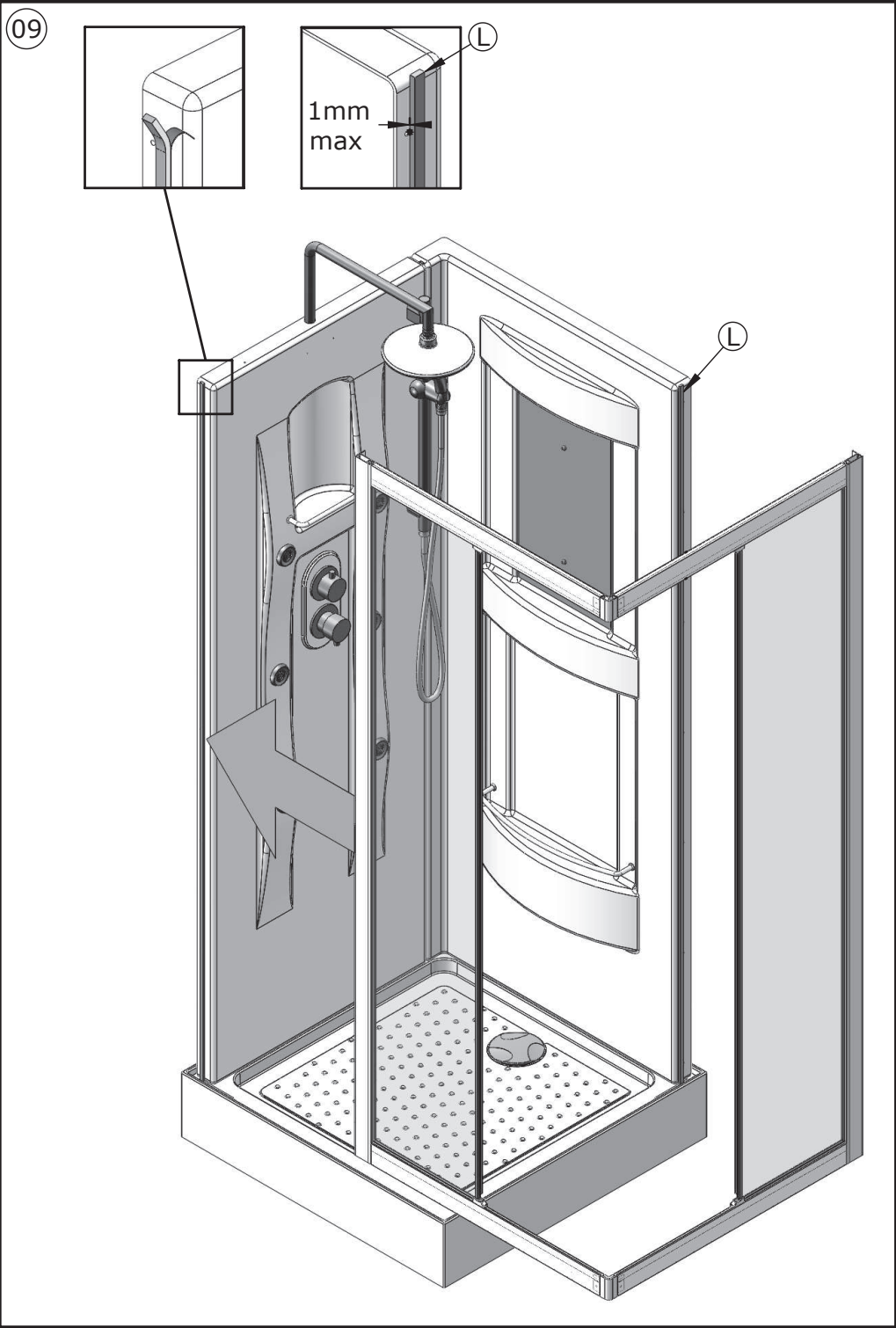




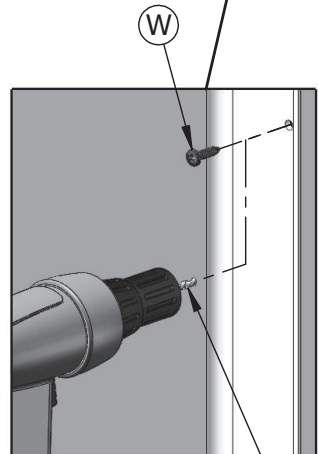
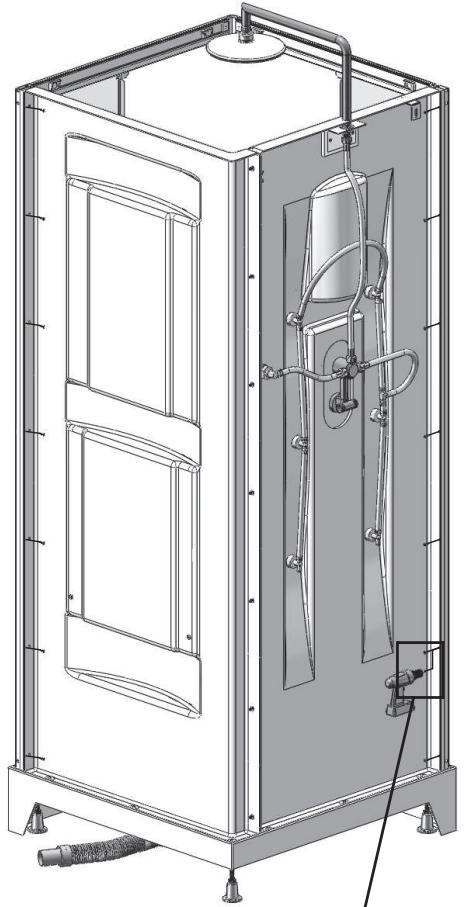
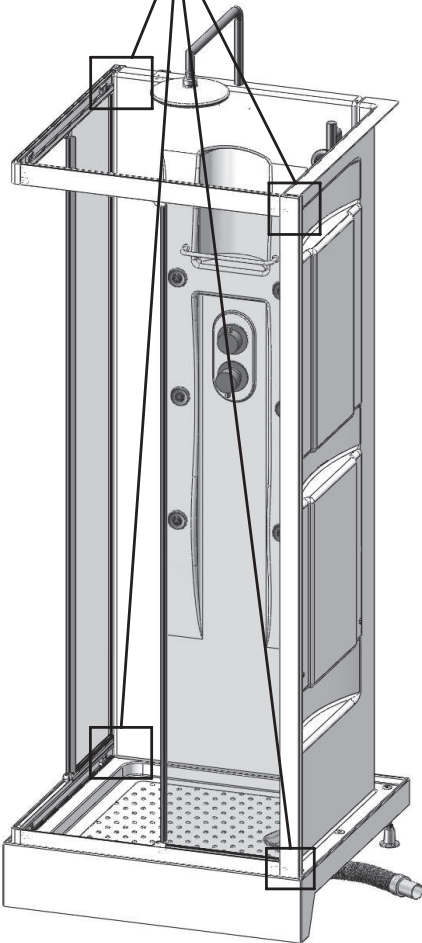
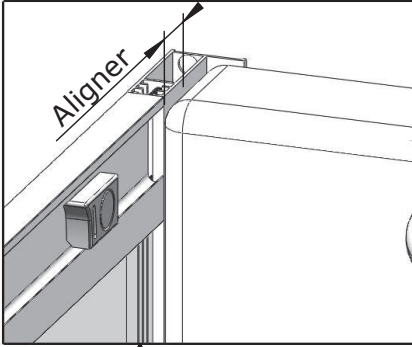
08



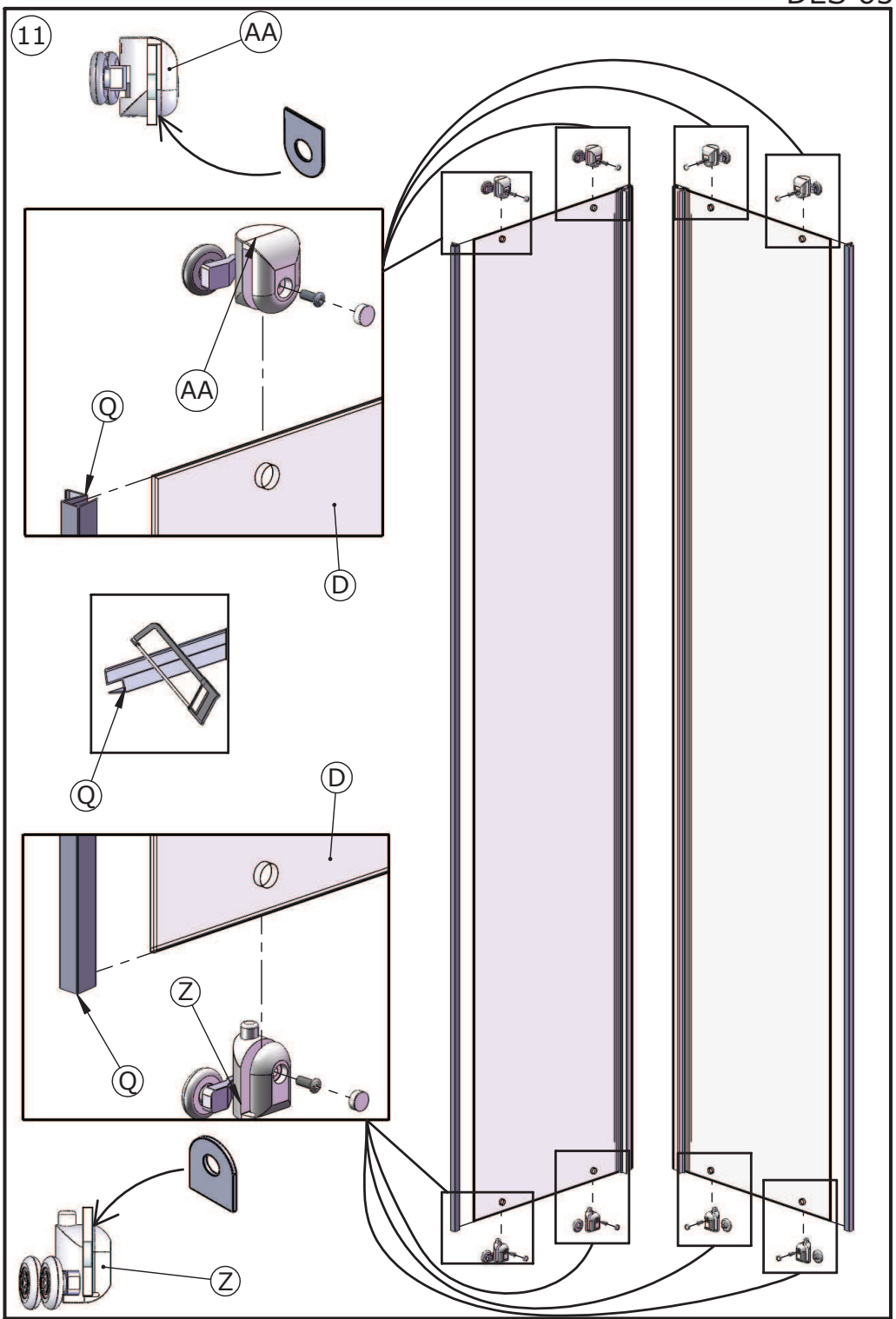




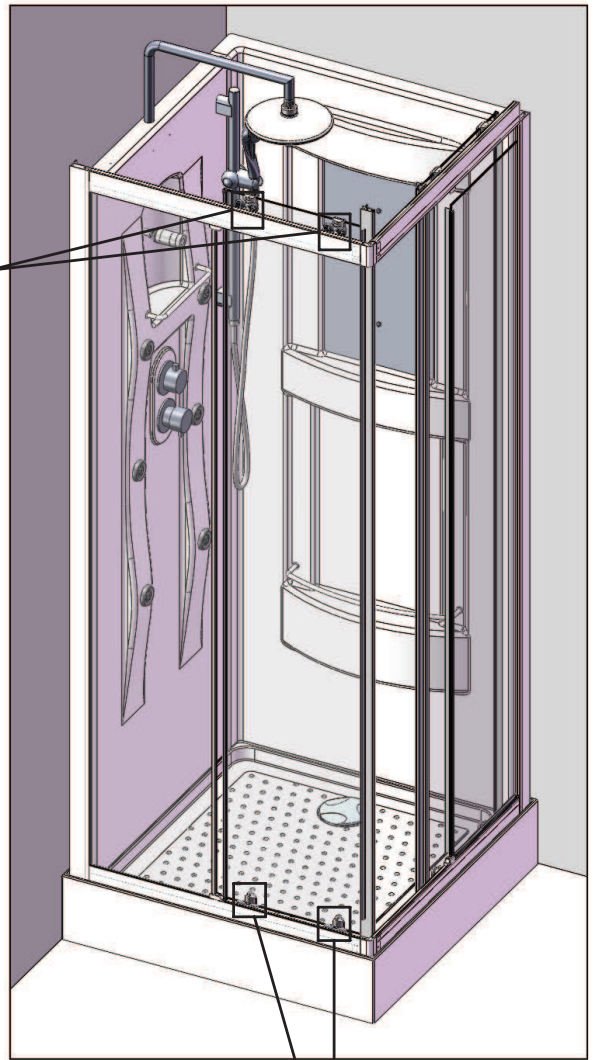
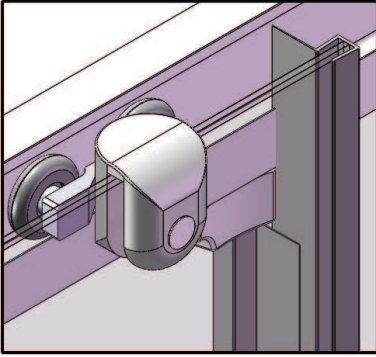
10



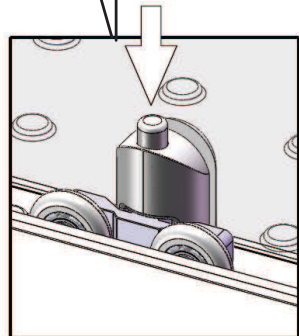
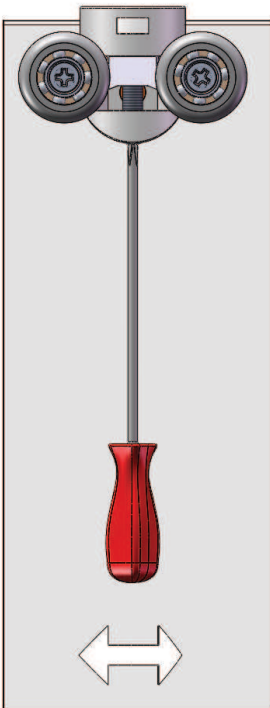
Ø 3 mm



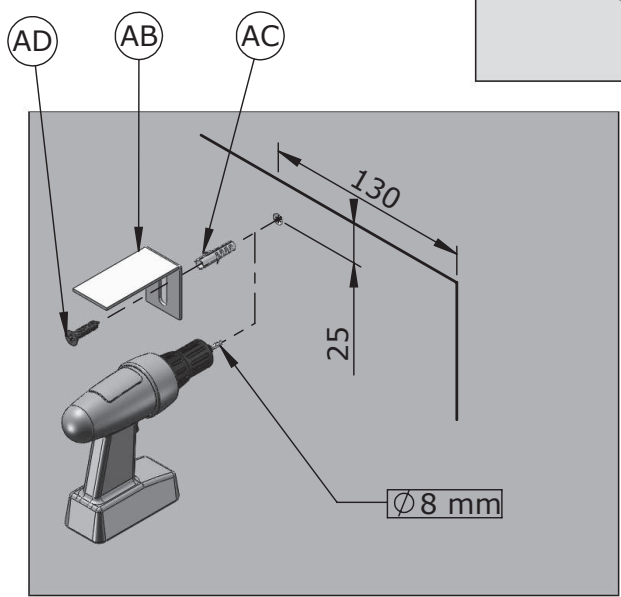
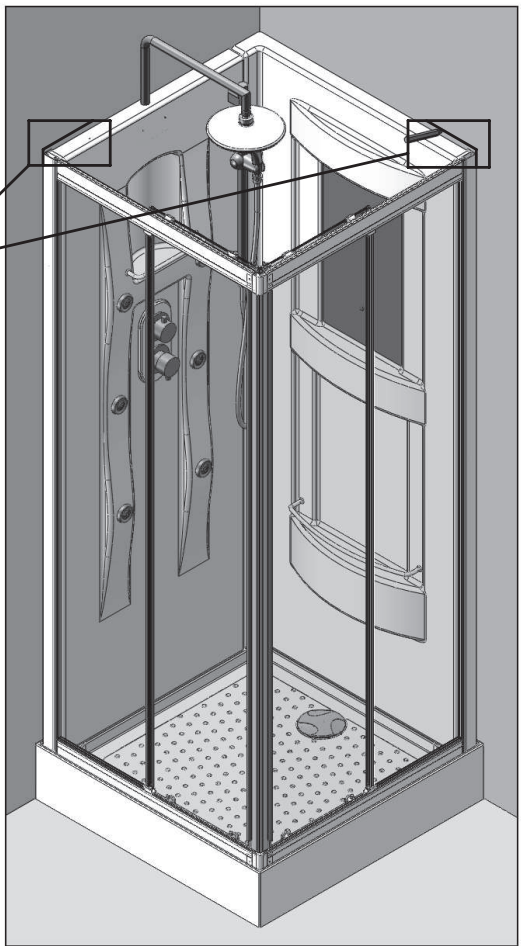
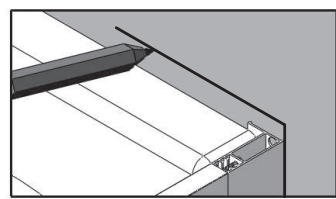
12



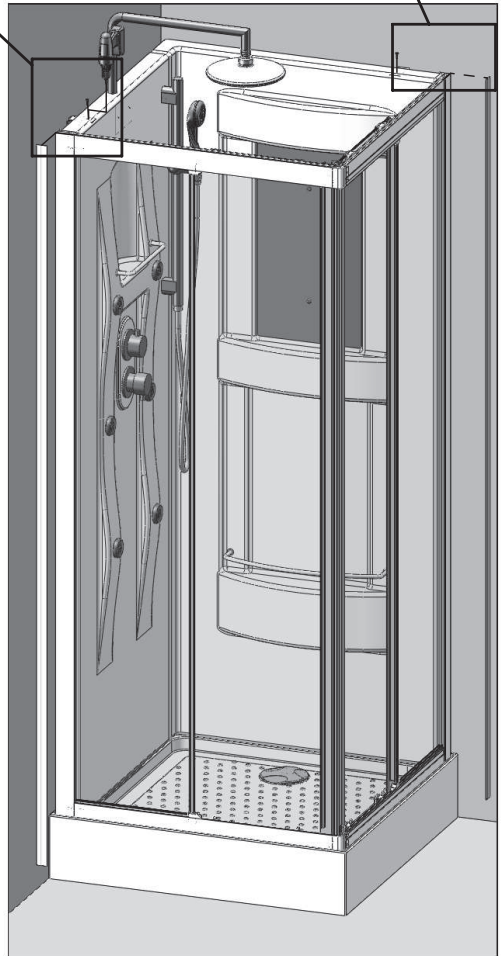
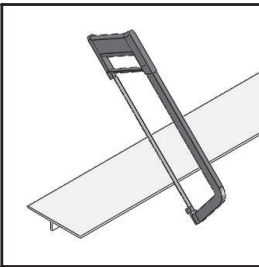
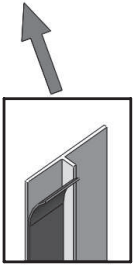
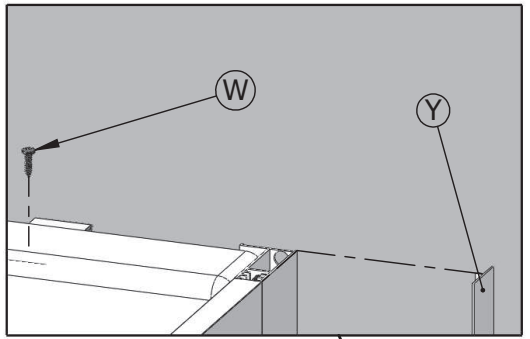
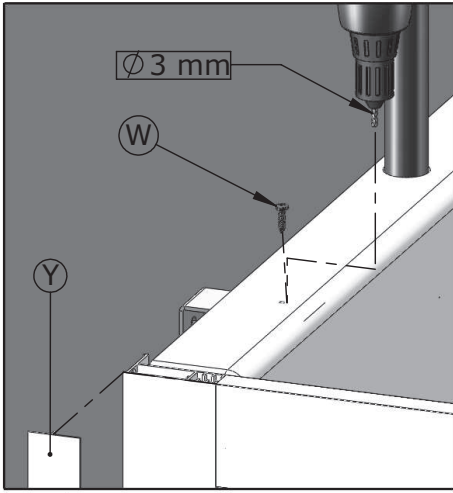
Réglage des portes



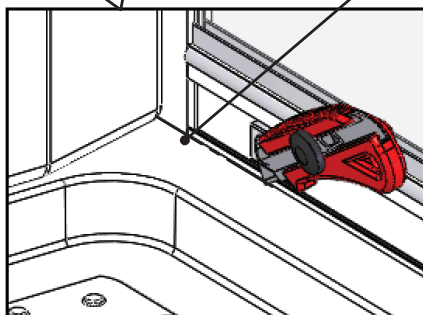
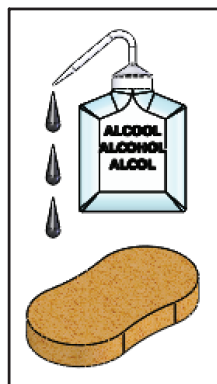
13



14



15



Découper et enlever la mousse, puis nettoyer.



# SAV

## SERVICE HELPLINES

## ASSISTENZA POST- VENDITA

## SERVICIO POSTVENTA

### FRANCE

 **N°Azur 0 810 05 1998**  
prix d'un appel local

### UK

020 8842 0033

### IRELAND

04697 33102

### DEUTSCHLAND

0800 82 27 82 0

### ITALIA

(0382) 6181

### OSTEREICH

(0222) 21 402 16 0

### SCHWEIZ

(01) 748 17 44

### ESPANA

93 544 60 76

### NEDERLAND

0475 487 100

### BELGIE

+31 475 487 100

### BELGIQUE

+31 475 487 100

### РОССИЯ

963 19 40, 773 67 22



AQUAPRODUCTION, Site industriel, F - 44680 Chéméré

10

### EN 14428

Paroi de douche, fabriquée en verre de silicate  
sodo-calcique de sécurité trempé thermiquement

Aptitude au nettoyage : réussite

Résistance à l'impact/propriétés de fragmentation : réussite

Durée : réussite



## **Check out our full range of Shower Enclosures**

Quadrant Shower Enclosures

Corner Entry Shower Enclosures

Walk in Shower Enclosures

Sliding Shower Doors

Bifold Shower Doors

Pivot Shower Doors

Hinged Shower Doors

Shower Screens

## **From Top Brands**

Coram Shower Enclosures

Mira Shower Enclosures

Hydrolux Shower Enclosures

Diamond Shower Enclosures

## **With quality shower trays to match your enclosure**

Square Shower Trays

Rectangular Shower Trays

Quadrant Shower Trays

Coram Shower Trays

Mira Flight Shower Trays

**plumbworld**  
**Big brands, small prices.**