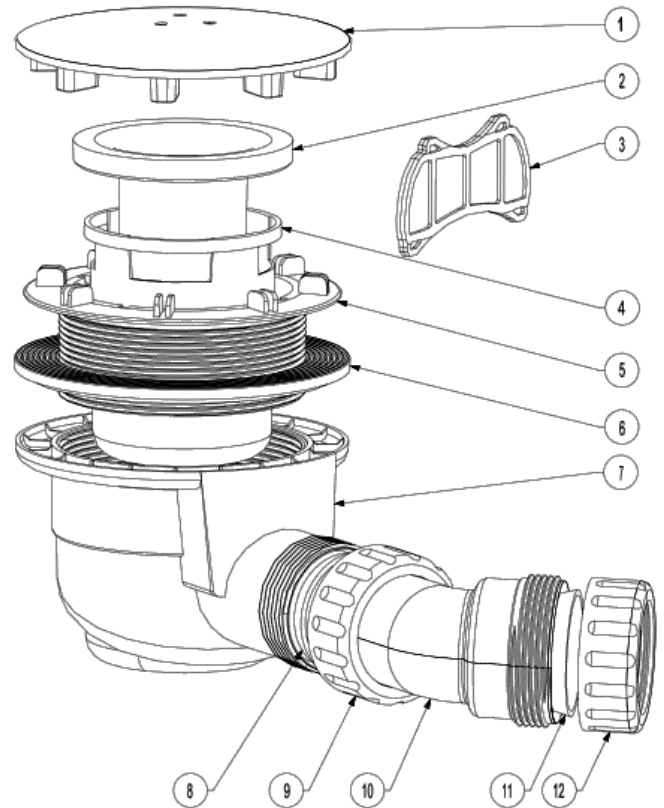


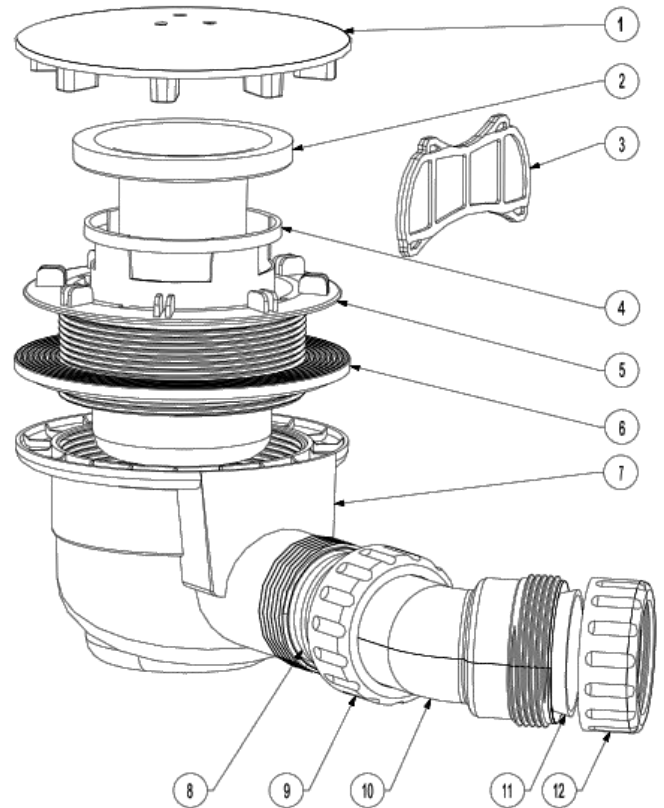
## 90mm Shower Waste Trap Instructions

1. Ensure all parts are present prior to installation.
2. Place the rubber washer (6) onto the top of the body (7), locate this under the shower tray outlet hole.
3. Apply anti-mould silicone to the underside of the flange (5) where it meets the tray.
4. Screw the flange (5) into the body (7) using the tool (3) provided, using the grooves in the flange (5).
5. Ensure that a good fix is achieved however do not over tighten.
6. Clean away any excess silicone from around the flange (5).
7. Keep conical seal (11) and end nut (12) separate, before screwing nut (9) with O-ring (8) attached into the body (7).
8. Attach the end nut (12) onto the drainage pipe first followed by the conical seal (11) ensuring the chamfered edge is facing the body (7).
9. Insert the drainage pipe into the 45° elbow (10) and screw the nut (12) in place with the conical seal (11) sandwiched between to form a tight seal.
10. Fit the inner cup (4), tube (2) and chrome cap (1) into place as shown on the diagram.



## 90mm Shower Waste Trap Instructions

1. Ensure all parts are present prior to installation.
2. Place the rubber washer (6) onto the top of the body (7), locate this under the shower tray outlet hole.
3. Apply anti-mould silicone to the underside of the flange (5) where it meets the tray.
4. Screw the flange (5) into the body (7) using the tool (3) provided, using the grooves in the flange (5).
5. Ensure that a good fix is achieved however do not over tighten.
6. Clean away any excess silicone from around the flange (5).
7. Keep conical seal (11) and end nut (12) separate, before screwing nut (9) with O-ring (8) attached into the body (7).
8. Attach the end nut (12) onto the drainage pipe first followed by the conical seal (11) ensuring the chamfered edge is facing the body (7).
9. Insert the drainage pipe into the 45° elbow (10) and screw the nut (12) in place with the conical seal (11) sandwiched between to form a tight seal.
10. Fit the inner cup (4), tube (2) and chrome cap (1) into place as shown on the diagram.



## Check out our full range of Plumbing Supplies

Plumbing wastes / Plumbing traps

Plumbing Consumables

Plumbing Tools

Toilet Fittings

Brassware

Valves

Plumbing Fittings

**plumbworld**  
**Big brands, small prices.**