

# InSinkErator® Soap Dispenser

Hygiene is essential in the kitchen. The integrated soap dispenser streamlines your kitchen surface and is an easy to use solution for everyday hygiene.

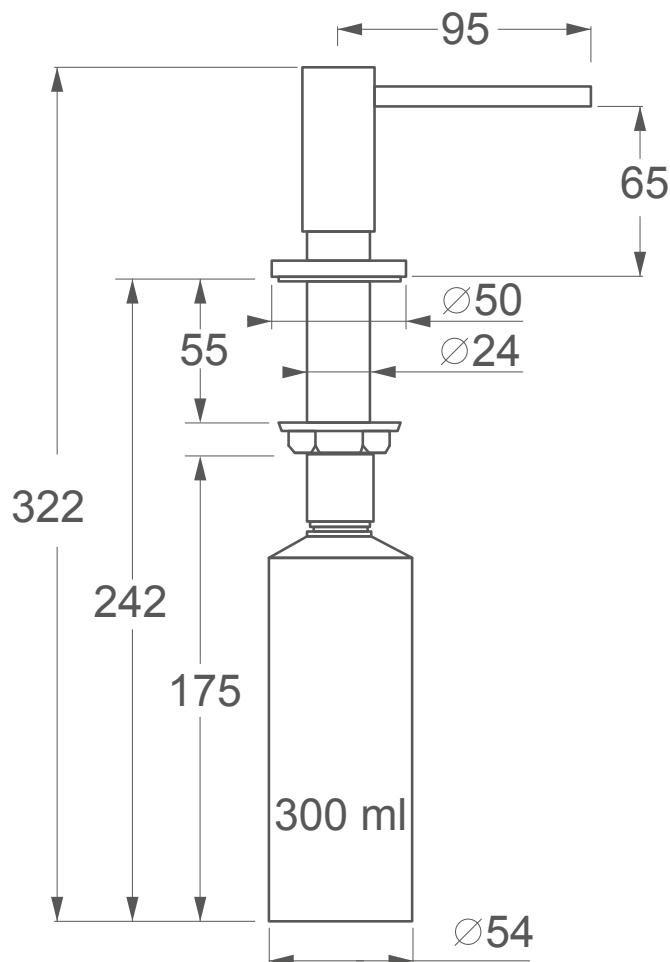
### Benefits

- De-clutters kitchen surfaces
- Easy to use operation
- Easily re-fillable
- Solid high quality construction
- Premium design
- 2 year warranty
- Easy to install

### Specifications

- Complete installation kit for solid surface mount
- Capacity: 300ml plastic tank
- Dispenser height from surface: 80mm
- Required hole diameter: 24-27mm

**Available in 6 finishes** - see reverse for individual part numbers and UPC codes



### Spare parts



**Nozzle**  
See reverse for part numbers for all finishes







**Base**  
See reverse for part numbers for all finishes



**Bottle**  
See reverse for part number

# InSinkErator® Soap Dispenser Part Numbers and UPC codes

	Complete unit	Spare parts		
		Nozzle	Base	Bottle
				
<b>Plastic</b>				
Part Number	-	-	-	45509-ISE
UPC	-	-	-	-
<b>Chrome</b>				
Part Number	45500-ISE	45507-ISE	45508 -ISE	-
UPC	050375023654	-	-	-
<b>Brushed Steel</b>				
Part Number	45500B-ISE	45507B-ISE	45508B-ISE	-
UPC	050375023692	-	-	-
<b>Brushed Gold</b>				
Part Number	45500AX-ISE	45507AX-ISE	45508AX-ISE	-
UPC	050375023722	-	-	-
<b>Rose Gold</b>				
Part Number	45500AT-ISE	45507AT-ISE	45508AT-ISE	-
UPC	050375023708	-	-	-
<b>Black Velvet</b>				
Part Number	45500AW-ISE	45507AW-ISE	45508AW-ISE	-
UPC	050375023715	-	-	-
<b>Satin Black Nickel</b>				
Part Number	45500AY-ISE	45507AY-ISE	45508AY-ISE	-
UPC	050375023777	-	-	-