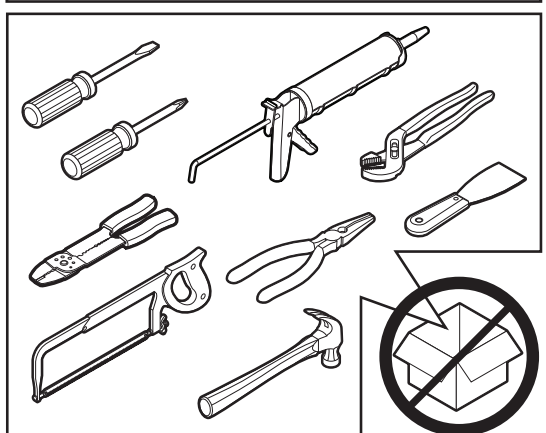
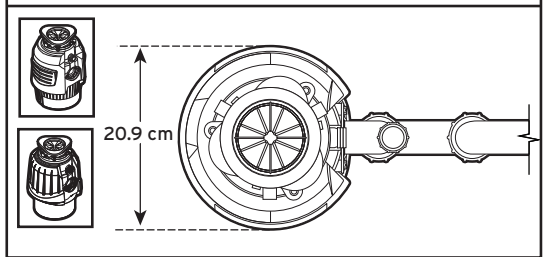
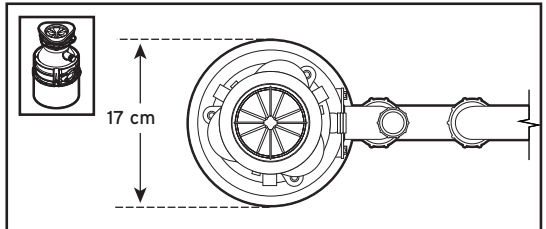
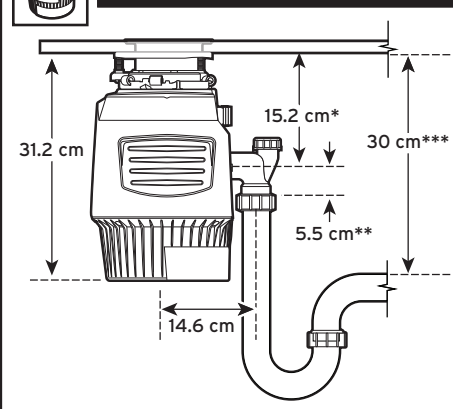
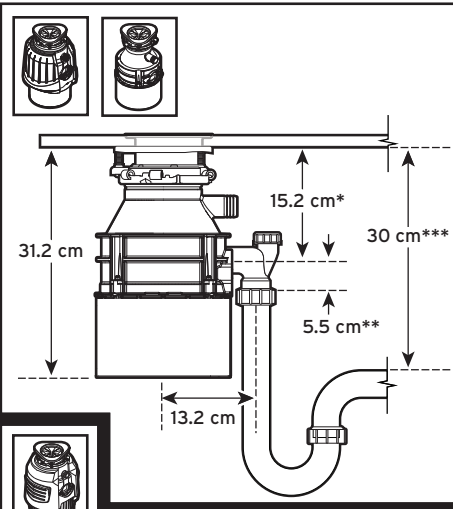
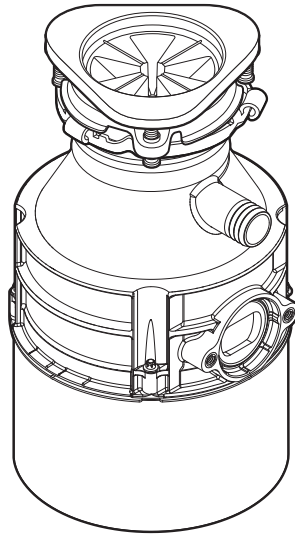
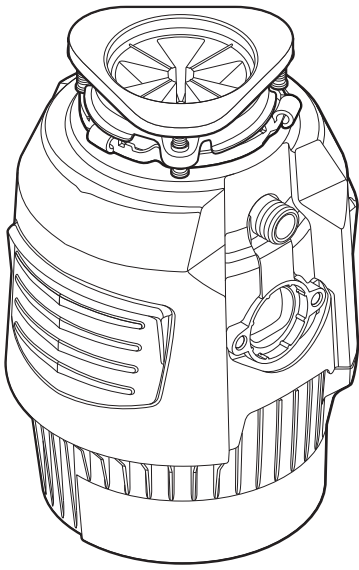
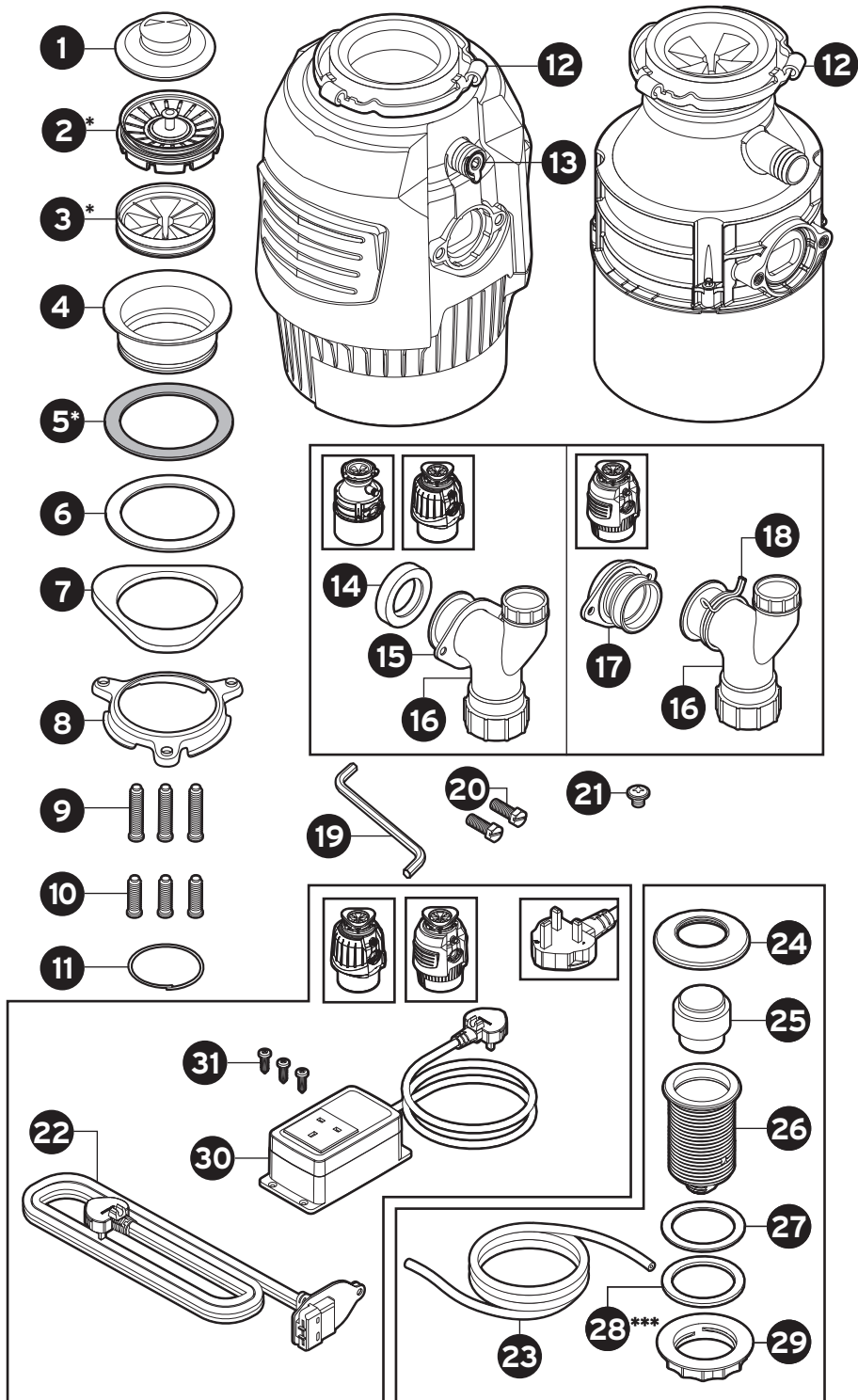
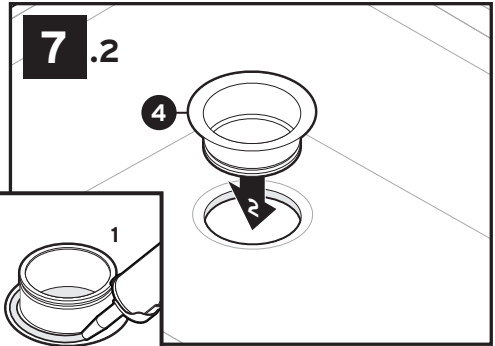
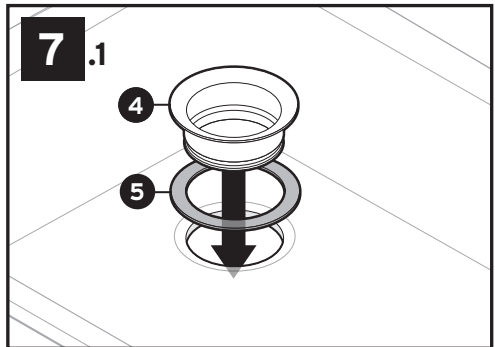
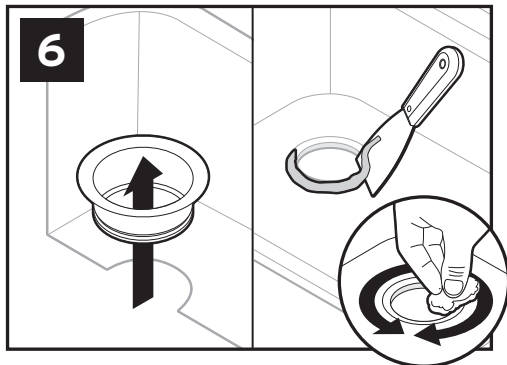
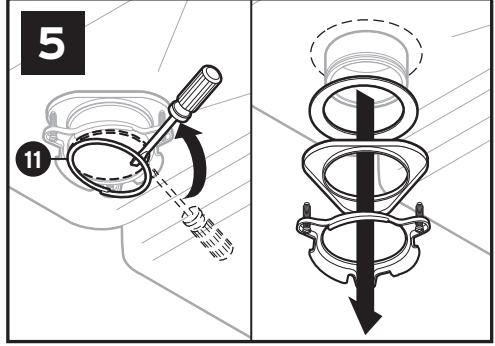
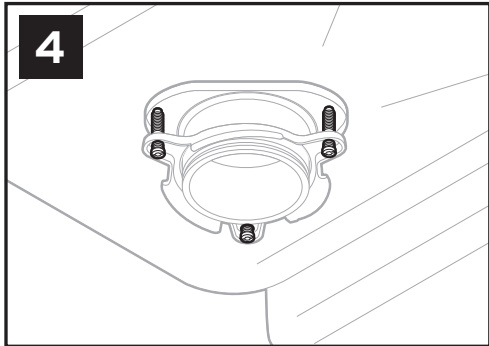
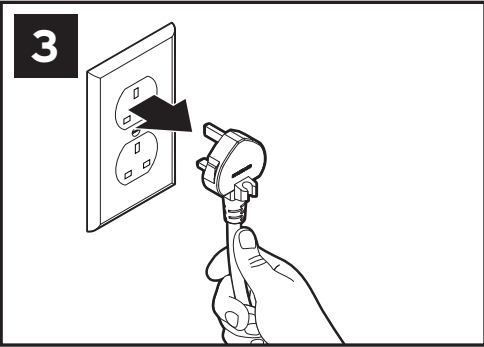
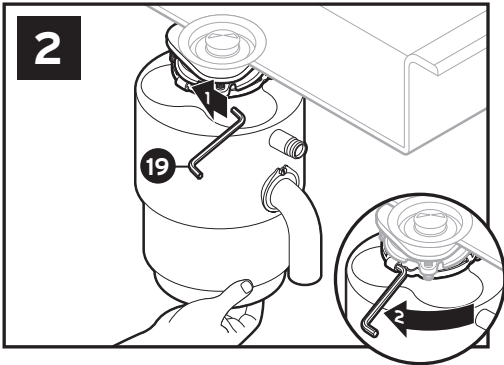
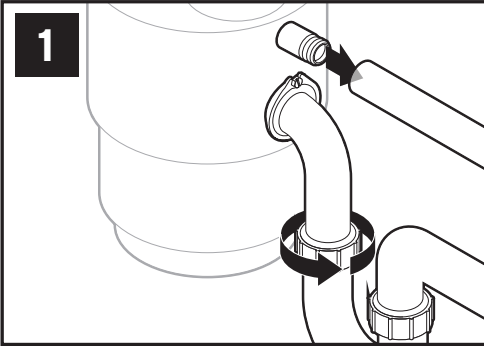
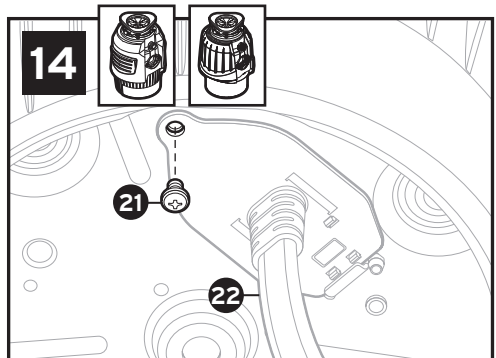
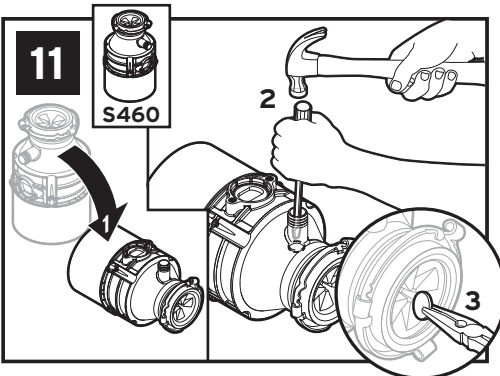
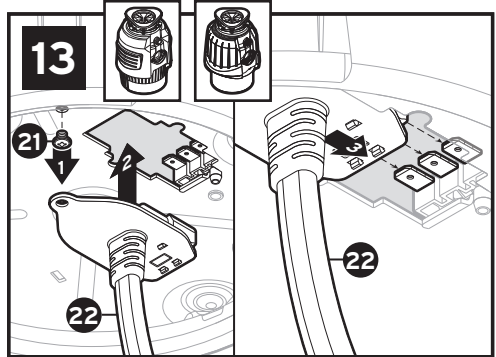
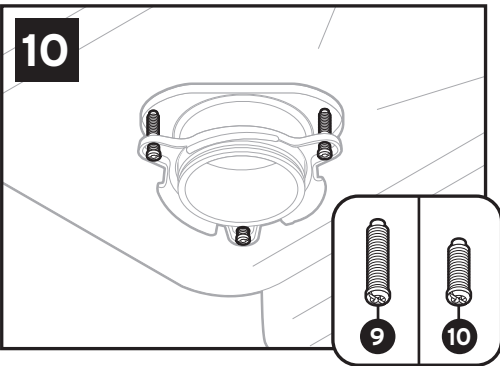
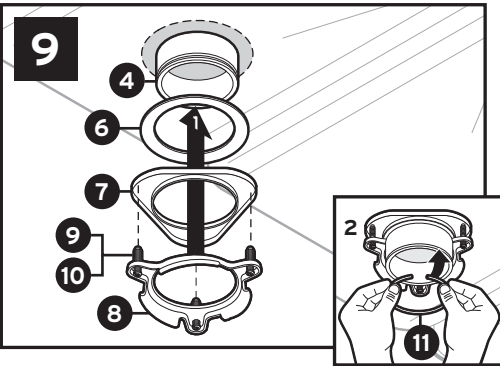
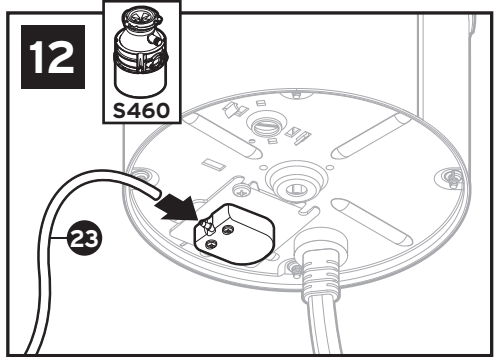
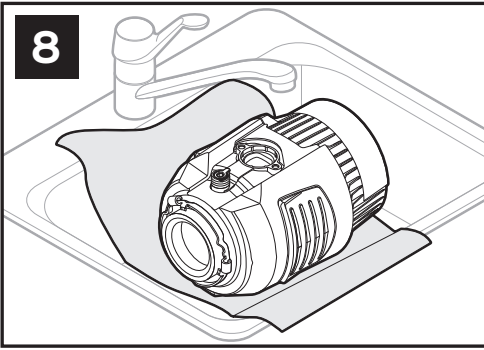


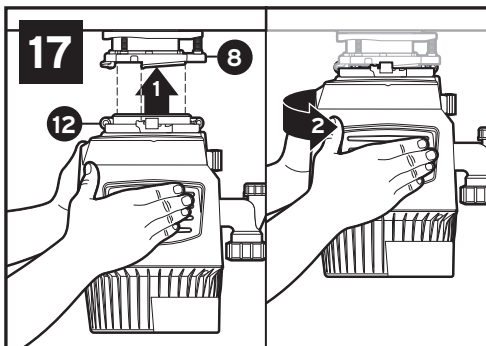
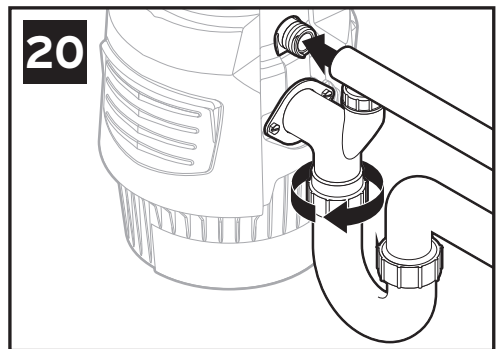
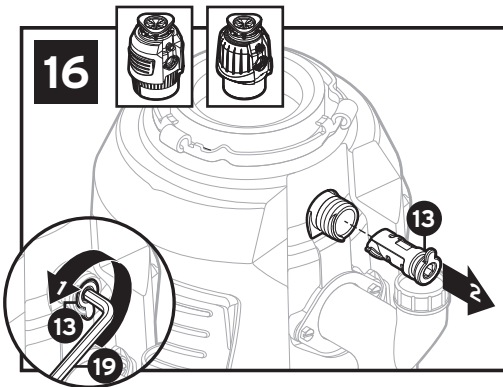
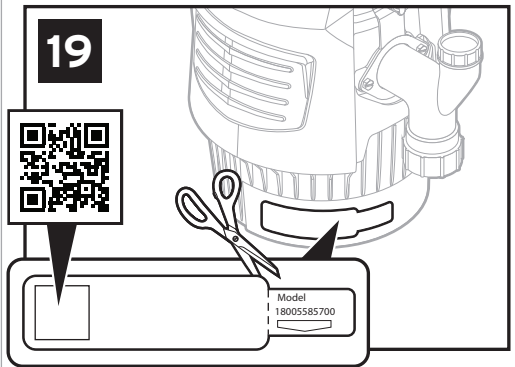
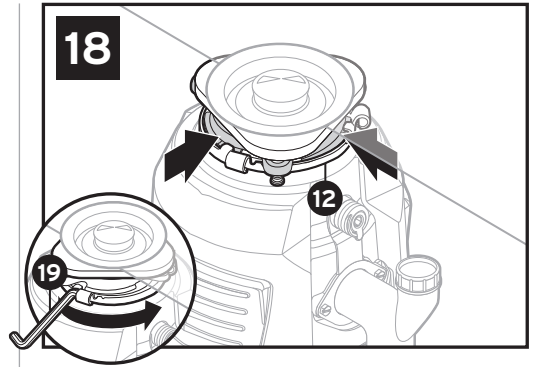
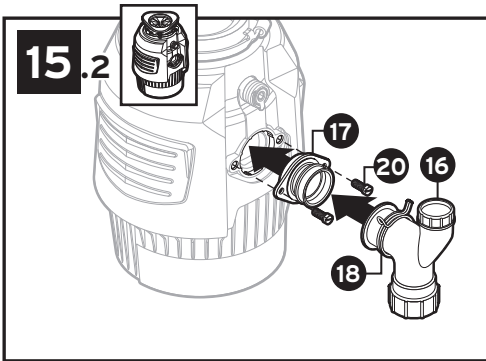
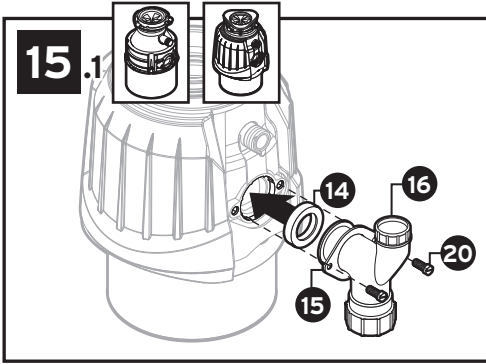
in sink erator

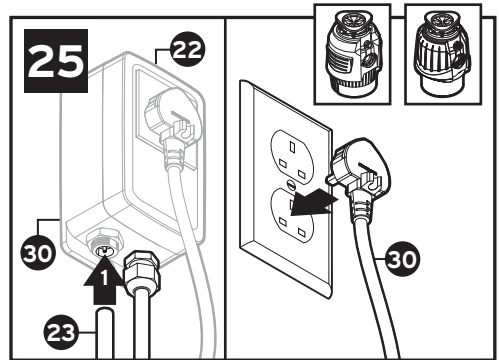
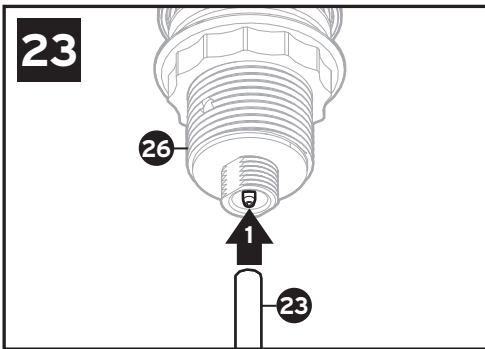
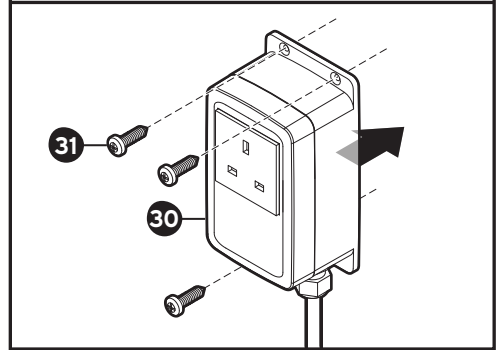
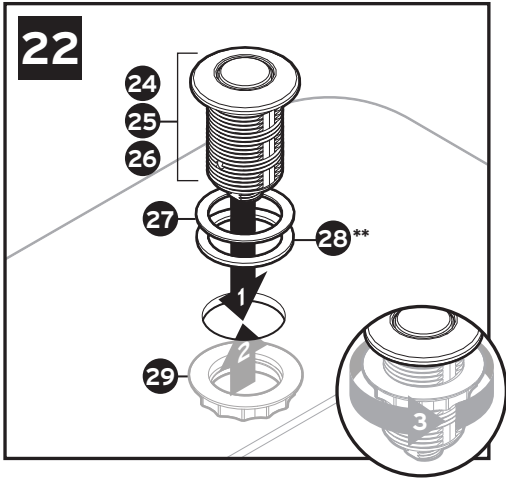
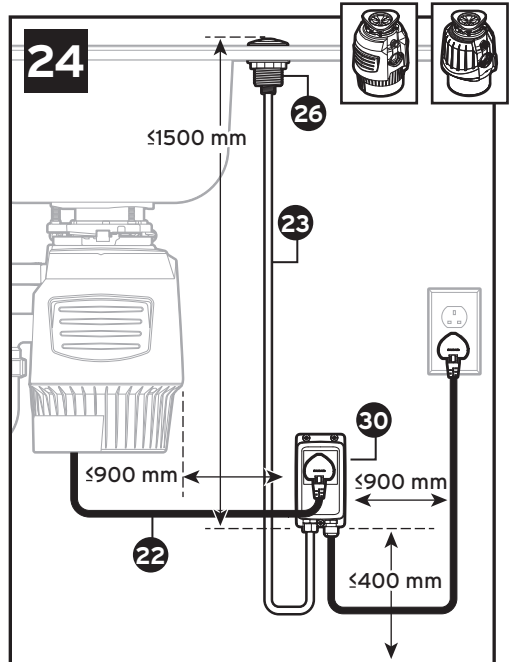
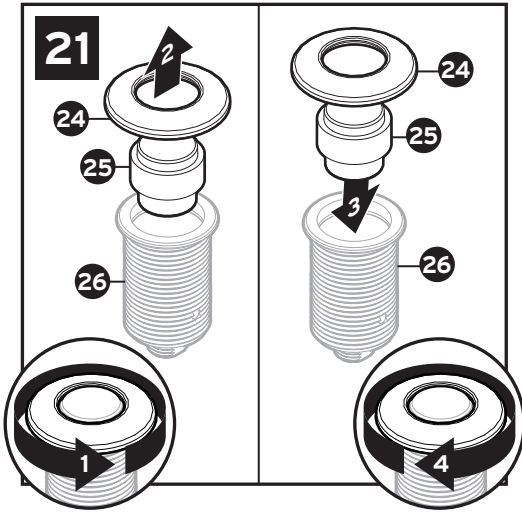


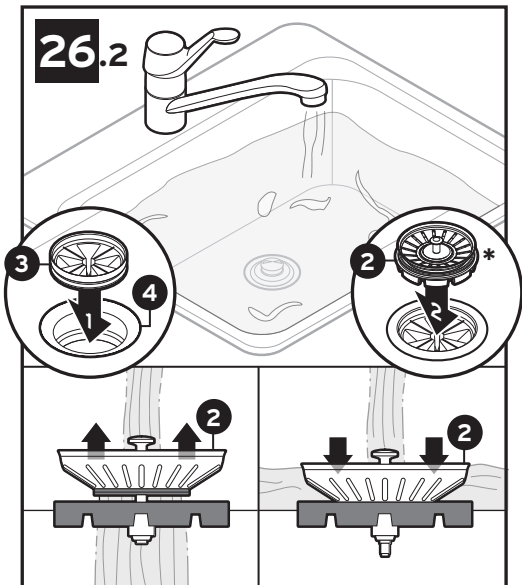
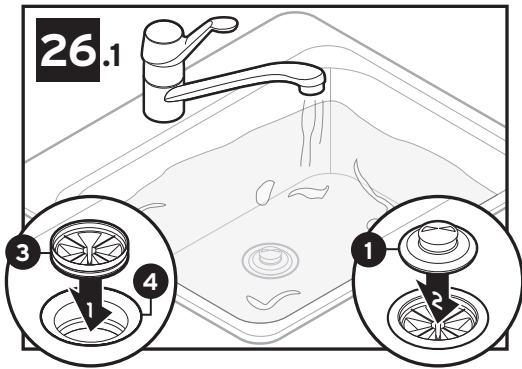












# Food Waste Disposer

## Installation Instructions



Scan QR code to view installation video.

©2023 All rights reserved.

## Dimensions

### For curved discharge tube

\*Distance from bottom of sink to centre line of disposer outlet. Add 12.7 mm when stainless steel sinks are used.

\*\*Length of tailpipe from centre line of disposer outlet to end of tailpipe.

\*\*\*Distance between bottom of sink bowl to the waste pipe to be minimum of 30 cm.

Note: For Cover Control Model dimensions—see Cover Control

## Tools and Materials Needed (Not Included)



### Includes

- |                        |                           |                                 |   |
|------------------------|---------------------------|---------------------------------|---|
| 1. Stopper             | 9. 38.1 mm Screws         | 17. Anti-Vibration Y-Pipe Mount | 25. Push Button (3 finishes provided)   |
| 2. Alba Stopper*       | 10. 28.6 mm Screws        | 18. Spring Clamp                | 26. Threaded Body                       |
| 3. Sink Baffle         | 11. Snap Ring             | 19. Wrenchette                  | 27. Rubber Gasket                       |
| 4. Sink Flange         | 12. Lower Mounting Ring   | 20. Bolts                       | 28. Stainless Steel Washer***           |
| 5. Rubber Sink Gasket* | 13. Dishwasher Inlet Plug | 21. Ground Screw                | 29. Plastic Nut                         |
| 6. Fiber Gasket        | 14. Y-Pipe Gasket         | 22. EZ Connect Power Cord       | 30. Air Switch with 3-wire Power Cord** |
| 7. Backup Flange       | 15. Flange                | 23. Air Tube**                  | 31. 19 mm screws**                      |
| 8. Mounting Ring       | 16. Y-Pipe                | 24. Bezel (3 finishes provided) |   |

\*Specific models only

\*\*Included with Next Gen models

\*\*\*The optional stainless steel washer is used for sink openings larger than 33 mm

## \*⚠\* Safety Information

- ⚠ DANGER** indicates a hazardous situation which, if not avoided, will result in death or serious injury.
- ⚠ WARNING** indicates a hazardous situation which, if not avoided, can result in death or serious injury.
- ⚠ CAUTION** indicates a hazardous situation which, if not avoided, could result in minor or moderate injury.
- NOTICE** is used to address practices not related to personal injury.
- SAFETY INSTRUCTIONS** (or equivalent) signs indicate specific safety related instructions or procedures.

**⚠ WARNING** Read these instructions carefully. Failure to follow the Installation, Operating and User-Maintenance Instructions may result in personal injury, water leaks, or property damage.

**⚠ WARNING SHOCK HAZARD**  
Turn off electric power at fuse box before beginning installation.

### NOTICE

**Risk of property damage.** Do not use silicone caulk on any disposer connection other than the sink flange. Do not use thread sealants.

• **Risk of property damage.** If connecting a dishwasher, the dishwasher inlet plug **MUST** be removed or the dishwasher may overflow. See steps 11 or 16.

## Remove Existing Disposer

If you are replacing an **Existing Disposer**, continue to **Step 1**.

If there is **No Existing Disposer**, turn off electrical power at circuit breaker or fuse box, disconnect sink drain and skip to **Step 8**.

1. Turn off electrical power at circuit breaker or fuse box. Disconnect drain trap from waste discharge tube. Disconnect dishwasher if connected to the disposer.
2. Support disposer, insert end of (19) into right side of mounting lug, and turn. Disposer will fall free.

### **▲ WARNING FALL HAZARD**

3. Unplug cord, remove unit. Existing power cord must not be re-used. InSinkErator EZ Connect power cord must be used. Proceed to **step 4**.

## Sink Mounting Removal

4. If new disposal mounting assembly is the same, you may choose to skip to **step 11**.  
**Note:** For sinks thicker than 9.5 mm, you will need to replace existing 38.1 mm screws (9) with 28.6 mm screws (10). See **step 11**.  
Using a flathead screwdriver, loosen the 3 screws on the mounting assembly.

5. Using a flathead screwdriver, pry off (11).
6. Remove flange from sink. Remove old gasket or plumber's putty from sink with putty knife.

## Install Sink Flange

- 7.1 **For models with a rubber gasket:**  
Fit (4) over (5\*) and firmly place into the sink opening.

### **NOTICE**

**Property Damage.** Risk of long/short term water leakage if not properly assembled.

*\*For specific models only.*

- 7.2 **For models without a rubber gasket:**  
Evenly apply a bead of silicone caulk around (4). Press (4) firmly into sink drain.

### **NOTICE**

**Property Damage.** Risk of long/short term water leakage if not properly assembled.

## Attach Mounting Assembly

8. Place a weight, such as the disposer, on the sink flange to hold it in place. Use a towel to avoid scratching sink.
9. Insert (6), (7) and (8). Hold in place while inserting (11).  
Pull (11) open and press firmly until it snaps into place.

10. Tighten (9) evenly and firmly against backup flange. Use (10) if sink is more than 9.5 mm thick.

If sink is thicker than 19 mm an Extended Sink Flange (FLG-SSLG) is required and sold separately.



For **S460 Model** Using the dishwasher connection go to step 11.

For **S460 Model** NOT connecting a dishwasher, continue to step 12.

## Dishwasher Inlet Plug Removal (S460 Model)

**IMPORTANT: Dishwasher connection only**

### **NOTICE**

If the dishwasher connection is made without removing the dishwasher inlet plug, the dishwasher may overflow.

11. If connecting a dishwasher, remove dishwasher inlet plug.

### **NOTICE**

Dishwasher inlet plug cannot be replaced once it is knocked out. Turn disposer onto side and knock out drain plug with screwdriver. Remove plug from inside of disposer with pliers.

## Connect Air Tube to Disposer (S460 Model)

12. Push one end of air tube (23) over the air switch spout which is located on the underside of the disposer. Go to step 15.1 or 15.2



**Cover Control Accessory Installation:** Go to **Cover Control Installation Guide** and complete installation. Once Cover Control is installed, go to step 15.1 or 15.2 to complete disposer installation.

**Note:** Cover Control is not available in all markets.



For **All models except S460:** Go to step 13.

## Connect Electrical Supply (Next Gen Models)

### **▲ CAUTION**

If EZ Connect cord is not provided with disposer, it must be purchased separately. Do not re-use pre-existing power cord.

13. Remove (21) from bottom of disposer. Insert (22) into cut-out on bottom of disposer. Push (22) forward to connect power to disposer.
14. Install and tighten (21) through (22) and into bottom of disposer.

## Installing Y-Pipe



Rejoin instructions **HERE** if you have installed a **Cover Control Accessory**.

- 15.1** For most models (those with 14, 15 and 16 components):  
Insert (14) into discharge outlet of disposer. Secure (15, 16) assembly with (20).
- 15.2** For models with Anti-vibration Tailpipe Mount (those with 16, 17 and 18 components):  
Insert (17) into discharge outlet of disposer. Secure (17) with (20). Insert (16) into (17) and secure with (18).

## Dishwasher Inlet Plug Removal (All Models except S460)

**IMPORTANT: Dishwasher connection only**

- 16.** Insert (19) into (13) and turn 90° counter clockwise to remove.

## Connect Disposer to Mounting Assembly

- 17.** Lifting disposer from the bottom, hang disposer by aligning 3 mounting tabs on (12) with slide-up ramps on (8) and slightly turn disposer counter clockwise.

### **WARNING**

Do not position your head or body under disposer; unit could fall during removal or installation.

### **NOTICE**

**Property Damage:** Risk of long/short term water leakage if all three mounting tabs are not properly engaged on all slide-up ramps and locked in place past the ridges.

- 18.** Using (19), turn (12) until all 3 mounting tabs latch over the ridges on the slide-up ramps. Rotate disposer to align the discharge tube.
- 19.** Detach removable portion of spec label and place on a visible location.

**Scan QR code on spec label for product registration and additional product information.**

## Connect Disposer to Plumbing

- 20.** Reconnect plumbing (and dishwasher connection if used).

### **NOTICE**

**Property Damage:** Risk of water leakage if not properly assembled.

To reduce the potential of leaking, the drain line must be properly pitched (not less than 6.4 mm of pitch per 0.3 metres of run) from the disposer to the drain connection, with the drain connection being lower than the disposer discharge. Failure to do so could lead to premature corrosion or leaking due to standing water left in the disposer.

**For disposers equipped with an Anti-Vibration Tailpipe Mount™, make sure tailpipe mount is not flexed. You may need to trim tube for proper fit.**

## Final Installation

- 21.** If a different finish is preferred:  
Turn (24) counter clockwise to remove existing finish (24) and (25) from (26).  
Install a different finish (24) and (25) onto (26) turning (24) clockwise to secure.
- 22.** Mount (24, 25, 26) assembly through a standard sink hole.  
  
OR  
  
Mount (24, 25, 26) assembly through counter top by drilling 33 mm diameter hole. Place (27) between (24, 25, 26) assembly and the top of sink counter. Tighten (29) under the sink counter to ensure a watertight seal.  
  
*\*\*The optional (28) is used for sink openings larger than 33 mm diameter. Position it between the sink counter and (27).*
- 23.** Insert remaining end of (23) Next Gen model or (23) S460 model into bottom of (26).  
  
For S460 model, plug into wall outlet.



For **All models except S460**: Go to step 24.

- 24.** Mount (30) securely with (31) onto a cabinet wall within 900 mm of the disposer and electrical outlet.
- 25.** Attach (23) to bottom of (30). Plug (30) into the electrical outlet.

## Check for Leaks

- 26.1** To test for leaks, insert (3) into (4), press down evenly until it snaps into place. Insert (1) into sink opening, fill sink with water, remove (1) to drain, then look under sink for leaking water. Reconnect electrical power at fuse box or circuit breaker box.

## Check for Leaks/Operation (Alba Stopper)\*

**26.2** To test for leaks, insert (3) into (4), press down evenly until it snaps into place. Insert (2) into sink opening, fill sink with water, lift up (2) to open and drain. Then look under sink for leaking water. Reconnect electrical power at fuse box or circuit breaker box.

To operate disposer with Alba Stopper, slowly insert food waste into disposer and position (2) in upright position (allowing water to run through) to minimize noise and possible ejection of material while grinding.

After grinding is complete, turn disposer off and run water for a few seconds to flush drain line. (2) also acts as a stopper in the lower position.

## IMPORTANT SAFETY INSTRUCTIONS

### INSTRUCTIONS PERTAINING TO RISK OF FIRE, ELECTRIC SHOCK, INJURY TO PERSONS OR DAMAGE TO PROPERTY

#### GROUNDING INSTRUCTIONS

##### For all grounded, cord-connected disposers:

This disposer must be grounded to reduce the risk of electric shock in the event of a malfunction or breakdown. Grounding provides a path of least resistance for electric current. Use of InSinkErator EZ Connect power cord is required. The plug must be plugged into an outlet that is properly installed and grounded in accordance with all local codes and ordinances.

#### **WARNING**

Improper connection of the equipment-grounding conductor can result in a risk of electric shock. Check with a qualified electrician or serviceman if you are in doubt as to whether the disposer is properly grounded. If the EZ Connect power cord provided does not fit the outlet, do not modify the plug or attempt to force the plug into the outlet - have a proper outlet installed by a qualified electrician.

This disposer must be properly grounded.

Do not attach ground wire to gas supply line.

Disconnect power before installing or servicing disposer.

EZ Connect power cord must be inserted into 3-hole grounded receptacle.

All wiring must comply with local electrical codes.

Do not reconnect electrical current at main service panel until proper grounds are installed.

#### **NOTICE**

Do not use silicone caulk on any other disposer connection other than sink flange. Do not use thread sealants. These may harm disposer and cause property damage.

For models equipped with the Anti-Vibration Tailpipe Mount, failure to use the spring load hose clamp provided voids the warranty.

To properly drain and prevent standing water in the disposer when utilizing a straight pipe discharge tube, the tube connection opposite the disposer outlet must be lower, not higher, than the disposer outlet.

**⚠ WARNING**-When using electric appliances, basic precautions are always to be followed, including:

Read all instructions before using the appliance.

To reduce the risk of injury, close supervision is required when an appliance is used near children.

Do not put fingers or hands into disposer.

Turn the power switch to the off position before attempting to clear a jam or removing an object from the disposer.

When attempting to loosen a jam in a waste disposer, use the wrenchette.

When attempting to remove objects from a waste disposer, use long-handled tongs or pliers.

Do not put the following into a disposer: clam or oyster shells, caustic drain cleaners or similar products, glass, china, or plastic, metal (such as bottle caps, steel shot, tin cans, or utensils), hot grease or other hot liquids.

When not operating a disposer, leave the stopper in place to reduce the risk of objects falling into the disposer.

This product is designed to dispose of normal household food waste; inserting materials other than food waste into disposer could cause personal injury and/or property damage.

Do not dispose of the following in the disposer: paints, solvents, household cleaners and chemicals, automotive fluids, plastic wrap.

**FIRE HAZARD:** Do not store flammable items such as rags, paper or aerosol cans near disposer. Do not store or use gasoline or other flammable vapours and liquids in vicinity of disposer.

**LEAK HAZARD:** Regularly inspect disposer and plumbing fittings for leaks, which can cause property damage and could result in personal injury.

## OPERATING INSTRUCTIONS\*

(SAVE THESE INSTRUCTIONS)

1. Remove stopper from sink opening and run cold water.
2. Turn on disposer.
3. Slowly insert food waste into disposer.
4. After grinding is complete, turn disposer off and run water for 10-15 seconds to flush drain line.

## INSTRUCTIONS PERTAINING TO RISK OF FIRE, ELECTRIC SHOCK, INJURY TO PERSONS OR DAMAGE TO PROPERTY

### DO...

First turn on cold water and then turn on the disposer. Continue running cold water for several seconds after grinding is completed to flush the drain line.

Grind hard materials such as small bones, fruit pits, and ice. A scouring action is created by the particles inside the grind chamber.

Grind peelings from citrus fruits to freshen up drain smells.

Use a disposer cleaner, degreaser, or deodoriser as necessary to relieve objectionable odours caused by grease build-up.

### NOTICE

Failure to flush the disposer properly may result in damage to the disposer and/or property damage.

### DON'T...

Don't pour grease or fat down your disposer or any drain. It can build up in pipes and cause drain blockages. Put grease in a jar or can and dispose in the bin.

Don't use hot water when grinding food waste. It is OK to drain hot water into the disposer between grinding periods.

Don't fill disposer with a lot of vegetable peels all at once. Instead, turn the water and disposer on first and then feed the peels in gradually.\*

Don't grind large amounts of egg shells or fibrous materials like corn husks, artichokes, etc., to avoid possible drain blockage.

Don't turn off disposer until grinding is completed and only sound of motor and water is heard.

\*Cover Control user should refer to the Cover Control instruction manual.

## USER MAINTENANCE INSTRUCTIONS

### CLEANING DISPOSER

Over time, food particles may accumulate in the grind chamber and baffle. An odour from the disposer is usually a sign of food build-up.

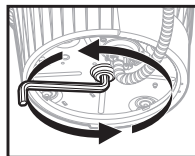
#### To clean disposer:

1. Place stopper in sink opening and fill sink halfway with warm water.
2. Mix together a solution of baking soda with water. Turn disposer on and remove stopper from sink at same time to wash away loose particles.
3. Remove Sink Baffle and clean by hand or in dishwasher. Do not operate disposer without Sink Baffle in place.

### RELEASING DISPOSER JAM

If motor stops while disposer is operating, disposer may be jammed. To release jam:


1. Turn off disposer and water.
2. Insert one end of wrenchette into centre hole on bottom of disposer. Work wrenchette back and forth until it turns one full revolution. Remove wrenchette.
3. Reach into disposer with tongs and remove object(s).

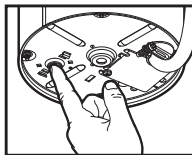


4.1



Disposer is equipped with an automatic overload switch. Allow disposer to cool for a period of up to 20 minutes before turning back on. (If motor remains inoperative, check service panel for tripped circuit breakers or blown fuses).

- 4.2  Allow disposer motor to cool for 3 - 5 minutes, then lightly push red reset button on disposer bottom. (If motor remains inoperative, check service panel for tripped circuit breakers or blown fuses.)



## Warranty Information (Warranty period in years\*)

Warranty is determined by the unit serial number and the date of installation. Purchase or installation receipt may be required to verify warranty status.

Register your product at <http://www.insinkerator-worldwide.com> to see if you qualify for extended offering. Warranty period varies by market.

### SERVICE

If service is required, contact an InSinkErator Authorized Service Centre or your dealer. Guarantees are void if you remove your disposer after installation and attempt to repair it, or if the disposer is used for commercial purposes.

Model and warranty year time frame is listed on chart below.

Model	*
S460 SR/EC/RC	2
Premium 550 SR	3
Premium 700 SR	4
Evolution Plus 750 SR	5
Evolution Plus 1000 SR	6
Premium 550 EC	2
Premium 700 EC	2
Evolution Plus 750 EC	3
Evolution Plus 1000 EC	4
Premium 550 RC	2
Premium 700 RC	3
Evolution Plus 750 RC	4
Evolution Plus 1000 RC	5

### Warranty Information

This limited warranty is provided by InSinkErator ( InSinkErator or Manufacturer or we or our or us ) to the original consumer owner of the InSinkErator product with which this limited warranty is provided (the InSinkErator Product ), and any subsequent owner of the residence in which the Product was originally installed ( Customer or you or your ).

InSinkErator warrants to Customer that your InSinkErator Product will be free from material defects in materials and workmanship, subject to the exclusions described below, for the Warranty Period (as stated for the relevant InSinkErator Product model in this limited warranty), commencing on the later of: (a) the date your InSinkErator Product is originally installed, (b) the date of purchase, or (c) the date of manufacture as identified by your InSinkErator Product serial number. You will be required to show written documentation supporting (a) or (b). If you are unable to provide documentation supporting either (a) or (b), the Warranty Period commencement date will be determined by Manufacturer, in its sole and absolute discretion, based upon your InSinkErator Product serial number.

### What is Covered

This limited warranty covers material defects in materials or workmanship, subject to the exclusions below, in InSinkErator Products used by a consumer Customer for residential use

only, and includes all replacement parts and labour costs. YOUR SOLE AND EXCLUSIVE REMEDY UNDER THIS LIMITED WARRANTY SHALL BE LIMITED TO REPAIR OR REPLACEMENT OF THE INSINKERATOR PRODUCT. PROVIDED THAT IF WE DETERMINE IN OUR SOLE DISCRETION THAT NEITHER REMEDY IS PRACTICABLE, WE MAY PROVIDE YOU A REFUND OF YOUR PURCHASE PRICE OR A CREDIT TOWARDS ANOTHER INSINKERATOR PRODUCT.

### What is not Covered

This limited warranty does not extend to and expressly excludes:

Losses or damages or the inability to operate your InSinkErator Product resulting from conditions beyond the Manufacturer s control including, without limitation, accident, alteration, misuse, abuse, neglect, negligence (other than Manufacturer s), failure to install, maintain, assemble, or mount the InSinkErator Product in accordance with Manufacturer s instructions or local electrical and plumbing codes.

Wear and tear expected to occur during the normal course of use, including without limitation, cosmetic rust, scratches, dents or comparable and reasonably expected losses or damages. In addition to the above exclusions, this limited warranty does not apply to Insinkerator Products installed in a commercial or industrial application.

### No Other Express Warranty Applies

This limited warranty is the sole and exclusive warranty provided to the Customer identified above. No other express warranty, written or verbal, applies. No employee, agent, dealer, or other person is authorized to alter this limited warranty or make any other warranty on behalf of Manufacturer. The terms of this limited warranty shall not be modified by the Manufacturer, the original owner, or their respective successors or assigns.

### What we will do to Correct Problems

If you have questions concerning your InSinkErator Product or how to determine when service is needed, please call InSinkErator Service & Support at +44 800389 3715, or use the link below to find your closest regional office: <http://insinkerator.emerson.com/en-us/insinkerator-worldwide> The following information must be provided as part of your warranty claim: your name, address, phone number, your InSinkErator Product model and serial number, and if necessary, upon request, written confirmation of either: (a) the date shown on your installation receipt, or (b) the date shown on your purchase receipt.

Manufacturer or its authorized service representative will determine, in its sole and absolute discretion, if your InSinkErator Product is covered under this limited warranty. You will be given the contact information for your closest authorized InSinkErator Service Centre. Please contact your InSinkErator Service Centre directly to receive in home warranty repair or replacement product service. Only an authorized InSinkErator service representative may provide warranty service. InSinkErator is not responsible for warranty claims arising from work performed on your InSinkErator Product by anyone other than an authorized InSinkErator service representative.

If a covered claim is made during the Warranty Period, Manufacturer will, through its authorized service representative, either repair or replace your InSinkErator Product. Cost of replacement parts or a new InSinkErator Product, are provided at no cost to you. Repair or replacement shall be determined by Manufacturer or its authorized service representative in their sole discretion. If Manufacturer determines that your InSinkErator Product must be replaced rather than repaired, the limited warranty on the replacement InSinkErator Product will be limited to the unexpired term remaining in the original Warranty Period.

### Limitation of Liability

(1) Notwithstanding any other provision of this Limited Warranty Terms, but subject to Sub-clauses (2) and (3) below, Manufacturer s and Manufacturer s Affiliates and its and their officers , employees , agents and sub-contractors combined maximum aggregate liability incurred under or in connection with this Limited Warranty Terms or any collateral contract between the parties, arising in or by virtue of breach of contract, tort (including negligence), misrepresentation, breach of statutory duty, strict liability, infringement of rights or otherwise howsoever, shall in no circumstances exceed the value of the InSinkErator Product the subject of this Limited Warranty Terms.

- (2) Notwithstanding any other provision of the Limited Warranty Terms but subject to Sub-clause 3, neither Manufacturer, nor Manufacturer's Affiliates nor its or their officers, employees, agents, or sub-contractors shall be liable under or in connection with this Limited Warranty Terms or any collateral contract for any:
- (a) direct or indirect loss of: (i) income; (ii) actual or anticipated profits (iii) anticipated savings (iv) business (v) contracts (vi) goodwill or reputation (vii) use; or
  - (b) damage to or corruption of data; or
  - (c) indirect, special or consequential loss or damage of any kind, howsoever caused and whether arising in or by virtue of breach of contract, tort (including negligence), misrepresentation, breach of statutory duty, strict liability or infringement of rights or otherwise howsoever, whether or not such loss or damage was foreseeable or in the contemplation of the parties.
- (3) Nothing in this Limited Warranty Terms or any collateral contract shall exclude or in any way limit any liability of Manufacturer, Manufacturer's Affiliates or its or their officers, employees, agents, or sub-contractors) to the extent that such liability may not be limited or excluded as a matter of law.
- (4) SOME COUNTRIES DO NOT ALLOW THE EXCLUSION OR LIMITATION OF INCIDENTAL OR CONSEQUENTIAL DAMAGES, OR LIMITATIONS ON THE DURATION OF IMPLIED WARRANTIES OF MERCHANTABILITY OR FITNESS, SO THESE EXCLUSIONS OR LIMITATIONS MAY NOT APPLY TO YOU. THIS WARRANTY GIVES YOU SPECIFIC LEGAL RIGHTS AND YOU MAY ALSO HAVE OTHER RIGHTS, WHICH VARY, FROM COUNTRY TO COUNTRY. THE ENCLOSED WARRANTY DOES NOT REPLACE OR RESTRAIN CONSUMER RIGHTS UNDER THE LEGAL WARRANTY RIGHTS AND OBLIGATIONS.

InSinkErator UK Ltd  
Suite 10, Building 6,  
Croxley Park, Hatters Lane  
Watford WD18 8YH  
United Kingdom  
Sales Telephone number: +44 (0) 1 923 297 880  
Service Telephone number: +44 (0) 800 389 3715  
Service email: [https://support.insinkerator.com/app/ask\\_UK](https://support.insinkerator.com/app/ask_UK)  
UK Website: [www.insinkerator.co.uk](http://www.insinkerator.co.uk)  
EU Website: <http://www.insinkerator-worldwide.com>

KAL Group  
4078 Kingswood Road,  
Citywest Business Park  
Dublin, Ireland  
Tel: 01 413 6481,  
01 413 6400  
Fax: 01 413 6464  
Email: [info@kal.ie](mailto:info@kal.ie)

InSinkErator Middle East & Africa  
Dubai, United Arab Emirates  
Phone: +971 4 811800  
Email: [insinkerator\\_mea@whirlpool.com](mailto:insinkerator_mea@whirlpool.com)  
Web: [www.insinkerator.com](http://www.insinkerator.com)