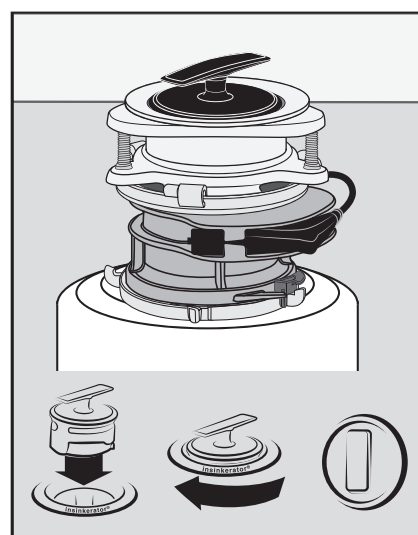


Cover Control Installation Instructions

- WARNING** Warning indicates a potentially hazardous situation which, if not avoided, could result in death or serious injury.
- CAUTION** Caution indicates a hazardous situation which, if not avoided, could result in minor or moderate injury.
- NOTICE** Notice is used to address practices not related to personal injury.



220-240V, 50 Hz for UK
220-240V, 50/60 Hz for Europe
230-240V, 50 Hz for Australia and New Zealand



Guarantee:
One year guarantee

Compatible only with:

Evolution® 100-1, 100-2, 100-3
Evolution® 200-1, 200-2, 200-3
AC-105

European Design Registration No. 001383160-0001, 001383160-0002
New Zealand Registration No. 418056, 418057
Australian Design Registration No. 351411, 351412

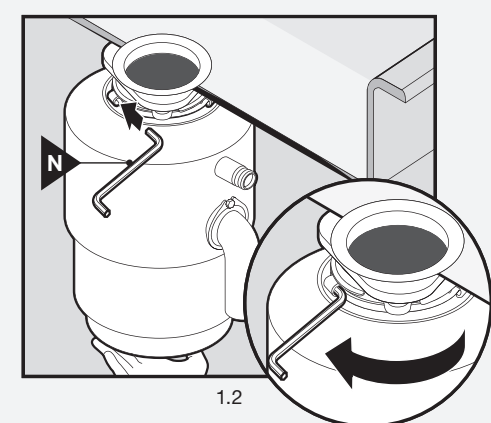
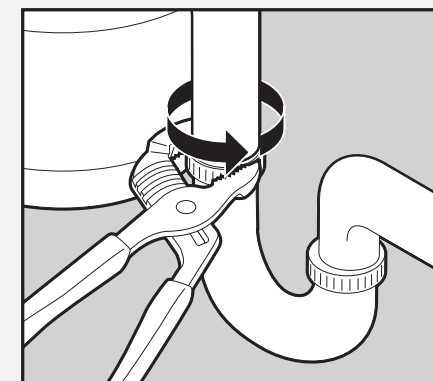


www.insinkerator.com/worldmap.html
Part No. 77547 REV A

The Emerson logo is a trademark and service mark of Emerson Electric Co.
InSinkErator may make improvements and/or changes in the specifications at any time, in its sole discretion, without notice or obligation and further reserves the right to change or discontinue models.
© 2014 InSinkErator, a business unit of Emerson Electric Co. All Rights Reserved.

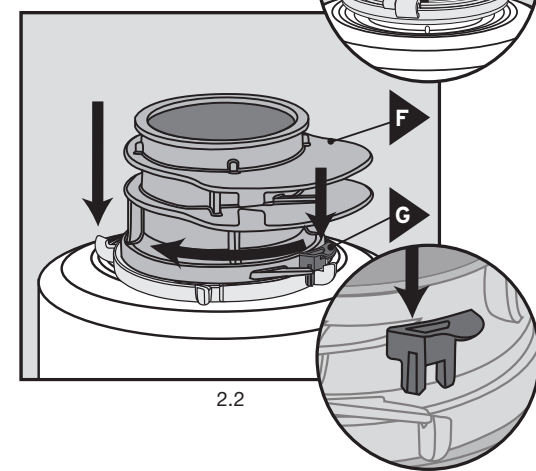
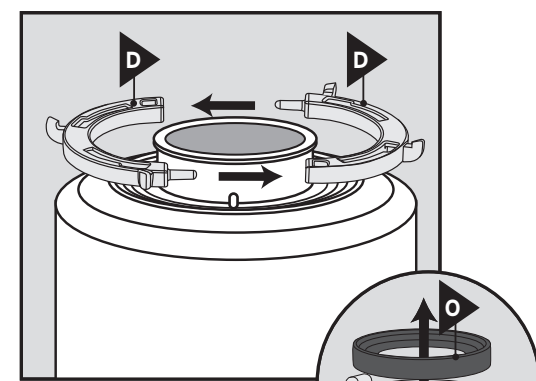
1

WARNING
ELECTRICAL SHOCK
Turn off electrical power at fuse box or circuit breaker before installing.



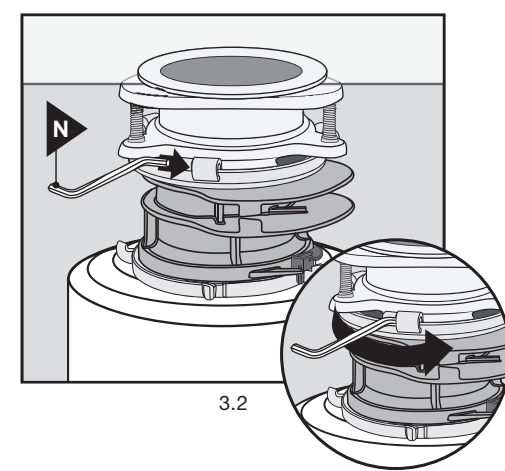
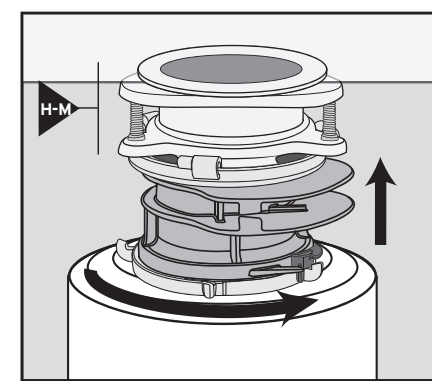
If your InSinkErator Evolution disposer model has not yet been installed proceed to Step 2.
Note: The use of this kit will increase the overall height of the disposer by 2-3/4". This may affect existing plumbing connections. Review plumbing measurements before installing.
If your InSinkErator Evolution disposer model is already installed, it must first be removed:
1. Unplug cord from wall outlet if applicable.
2. Disconnect sink drain trap from disposer waste discharge tube with screwdriver (1.1). Also disconnect dishwasher connection, if applicable.
3. Support disposer with one hand and insert end of wrenchette (N) or screwdriver into right side of one mounting tab on lower mounting ring (L.2). Lift disposer slightly and remove from mounting by pushing or pulling wrenchette or screwdriver to left.
4. Proceed to Step 2 to install magnetic switch.

2



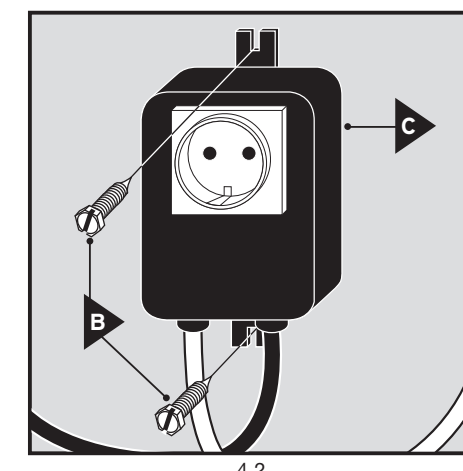
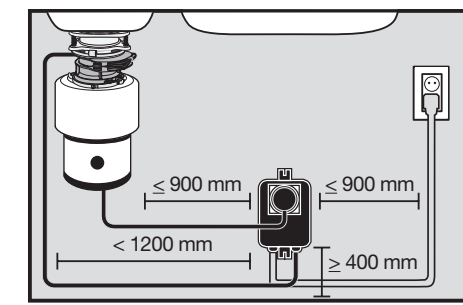
Install Antivibration Tube Extension (AVTE) (F)
1. Remove rubber mounting gasket (O) and lower mounting ring from disposer (2.1).
2. Assemble collar (D) to the top of the disposer, the ribs on the disposer must be aligned with cutouts on the collar (2.1). Collars will not click together, nesting the collars in place is sufficient at this point.
3. Lubricate seal on bottom of AVTE with liquid soap to ease rotation and to ensure AVTE is firmly locked in place.
4. Align and insert the four tabs on the bottom of the AVTE (F) with the holes in the collars (2.2).
• Once snapped into position AVTE cannot be removed.
• AVTE dictates magnetic switch and cord location.
5. Rotate the AVTE with the wrenchette (N) or screwdriver until the latch features snap into position.
6. Insert mounting clip (G) in pocket to ensure the AVTE is fully latched (2.2).

3



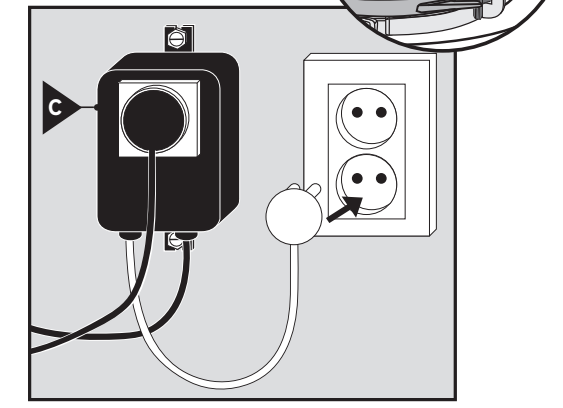
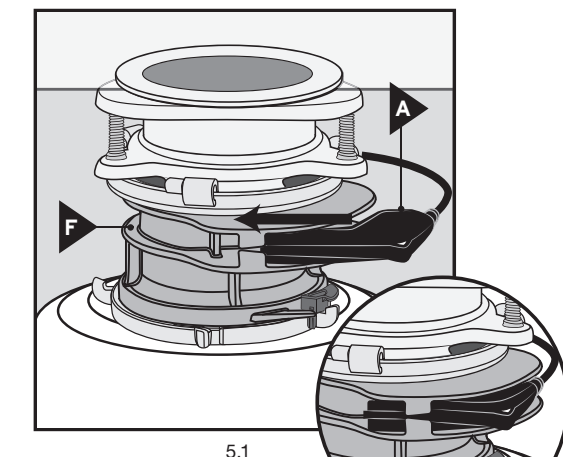
Install disposer
1. If installing new disposer, refer to the manual with your disposer to attached the upper mounting assembly to sink (H-M).
2. Place the lower mounting ring and rubber mounting gasket (O) on the AVTE (F).
3. Position unit with three mounting tabs aligned in position to slide over mounting tracks. Lift disposer, insert top and mounting gasket into mounting assembly, and turn lower mounting ring to right (with wrenchette (N) or screwdriver) until mounting tabs lock over ridges on mounting ring tracks (3.2). Make sure all three mounting tabs are locked over ridges.
4. Reattach drain trap and dishwasher connection, if applicable.

4



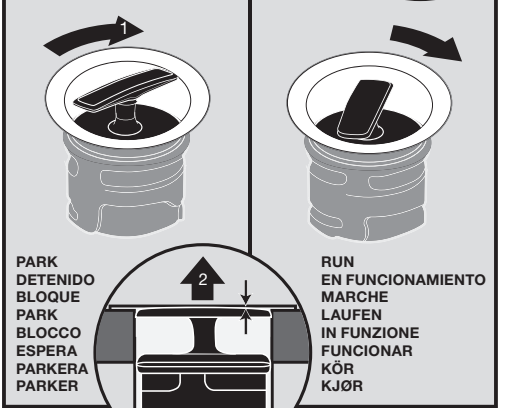
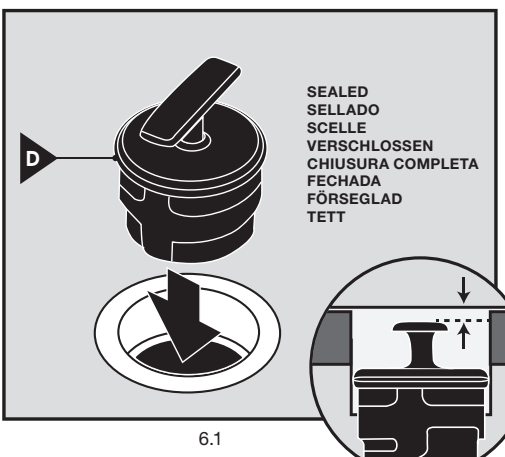
PERSONAL INJURY
To avoid personal injury, do not position your head or body under disposer; the unit could fall during installation.
Install disposer
1. If installing new disposer, refer to the manual with your disposer to attached the upper mounting assembly to sink (H-M).
2. Place the lower mounting ring and rubber mounting gasket (O) on the AVTE (F).
3. Position unit with three mounting tabs aligned in position to slide over mounting tracks. Lift disposer, insert top and mounting gasket into mounting assembly, and turn lower mounting ring to right (with wrenchette (N) or screwdriver) until mounting tabs lock over ridges on mounting ring tracks (3.2). Make sure all three mounting tabs are locked over ridges.
4. Reattach drain trap and dishwasher connection, if applicable.

5



Connect Magnetic Switch
1. Connect magnetic switch (A) to the AVTE (F) (5.1).
2. Make sure that the magnetic switch is completely seated (5.1).
3. Plug power module cord into wall outlet (5.2).
4. Turn on electrical power at fuse box or circuit breaker.
5. Your Evolution 100 or 200 is equipped with a removable sound baffle which must be removed before the magnetic switch can operate.

6



Start the Disposer
1. Place food waste into disposer grind chamber. Do not pack chamber with waste. Run a strong flow of cold water and place stopper back in sink opening.
2. Place stopper in the fully SEALED (down) position. (See Figure 6.1).
3. Turn the stopper clockwise. The stopper will raise into the PARK position, allowing water to flow into the disposer grind chamber. (See Figure 6.2).
4. With stopper in PARK position, continue turning stopper clockwise until disposer RUNS. (See Figure 6.2).
5. After grinding, turn the stopper counter-clockwise into the PARK position, allowing water to flow into the disposer grind chamber.
6. To return to the SEALED position, continue turning stopper counter-clockwise until stopper drops down and seals the drain. **Note:** Stopper must be in SEALED position to be removed.

Check out our full range of Kitchen Products

Kitchen Sinks

Stainless Steel Kitchen Sinks

Granite Composite Kitchen Sinks

Glass Kitchen Sinks

Ceramic Kitchen Sinks

Franke Kitchen Sinks

Kitchen Taps

Contemporary Kitchen Taps

Traditional Kitchen Taps

Franke Kitchen Taps

Pull out Rinser Kitchen Taps

Instant Boiling Water Taps

Insinkerator Waste Disposal Units

plumbworld
Big brands, small prices.