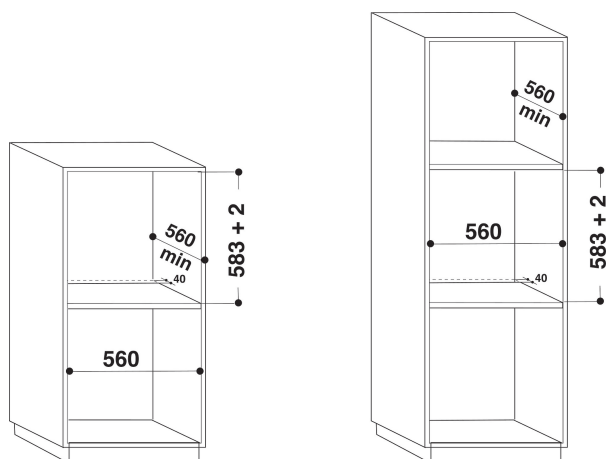


IFW 6340 IX UK

12NC: F102670

GTIN (EAN) code: 8050147026700



MAIN FEATURES

| | |
|---------------------------------------|----------------|
| Product group | Oven |
| Commercial code | IFW 6340 IX UK |
| Main colour of product | Inox |
| Construction type | Built-in |
| Type of control | Electronic |
| Type of control settings | - |
| Are any hobs controls integrated? | No |
| Which kind of hobs can be controlled? | - |
| Automatic programmes | No |
| Current (A) | 13 |
| Voltage (V) | 220-240 |
| Frequency (Hz) | 50/60 |
| Length of Electrical Supply Cord (cm) | 100 |
| Plug type | UK |
| Depth with open door 90 degree (mm) | - |
| Height of the product | 595 |
| Width of the product | 595 |
| Depth of the product | 551 |
| Minimum niche height | 0 |
| Minimum niche width | 0 |
| Niche depth | 0 |
| Net weight (kg) | 26.4 |
| Usable volume (of cavity) | 66 |
| Integrated Cleaning system | No |
| Grids of the cavity | 1 |
| Trays | 1 |

TECHNICAL FEATURES

| | |
|---|---------------|
| Timer | - |
| Time control | Electronic |
| Time-setting options | Stop |
| Safety device | - |
| Interior light | Yes |
| Number of interior lights of the cavity | 1 |
| Position of interior lights of the cavity | Front left |
| Oven guides of the cavity | Wall-embedded |
| Probe of the cavity | No |

PERFORMANCES

| | |
|---|-------------|
| Energy input | Electric |
| Type of energy of the cavity | Electricity |
| Energy efficiency class - NEW (2010/30/EU) | A |
| Energy consumption per cycle conventional - NEW (2010/30/EU) | 0 |
| Energy consumption per cycle forced air convection - NEW (2010/30/EU) | 0.79 |