

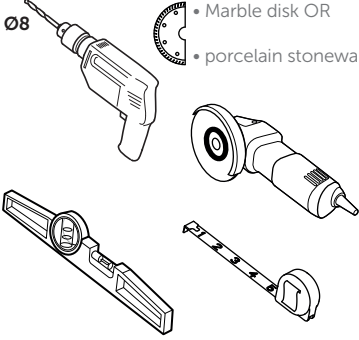
# ULTRA FLAT S ILIFE

Bespoke

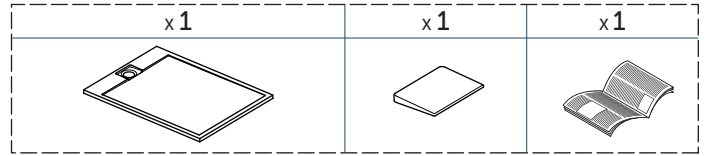
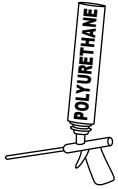
Installation manual



Ø8  
• Marble disk OR  
• porcelain stoneware



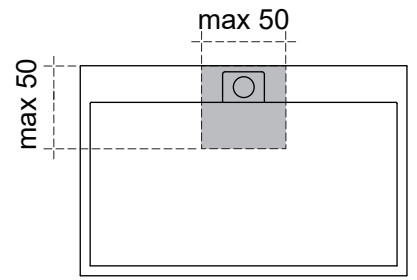
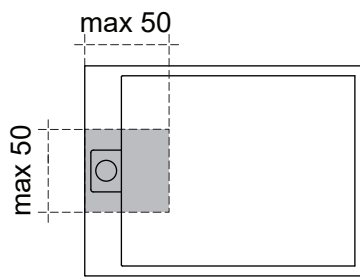
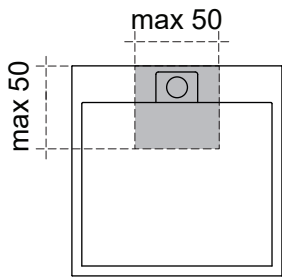
Polyurethane low expanding foam for roof and tiles.



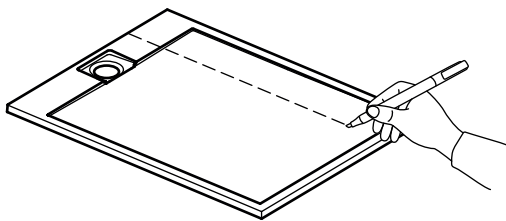
## GB NOTES REGARDING THIS MANUAL

This manual must not be copied or reproduced in part or in full; saved in any archive systems; or sent in any form or via any known or future means without the manufacturer's permission. The content of this manual is subject to change without any prior warning. Every effort has been made in preparing this manual to ensure that the content is accurate; however, if you have any questions or find any mistakes, please contact the manufacturer. The manufacturer shall not be held liable for consequences arising from use of the product. The drawings and diagrams in the manual are to be considered approximate and are provided solely for information purposes.

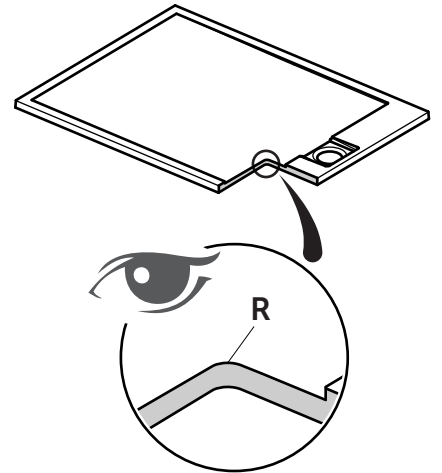
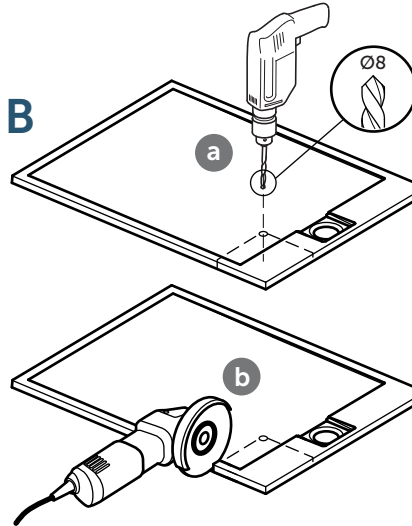
 No cutting area



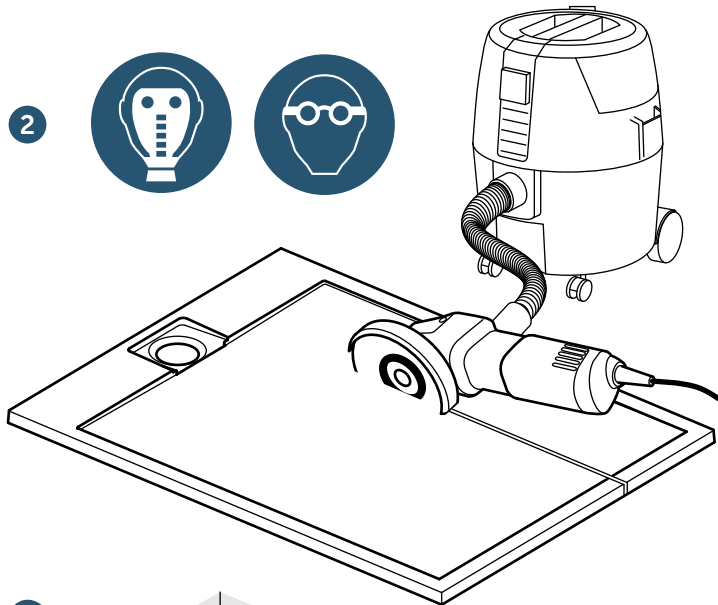
1 A



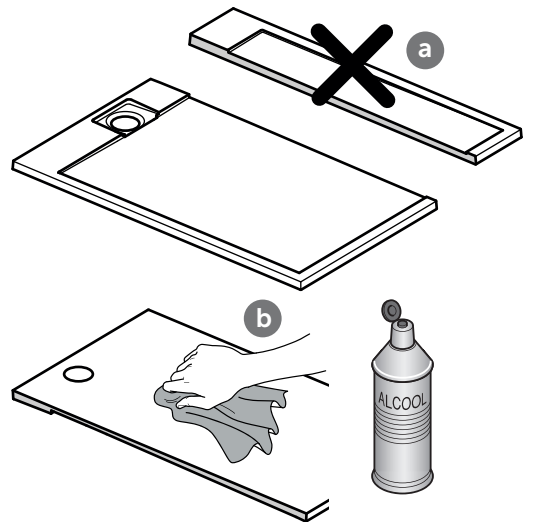
1 B



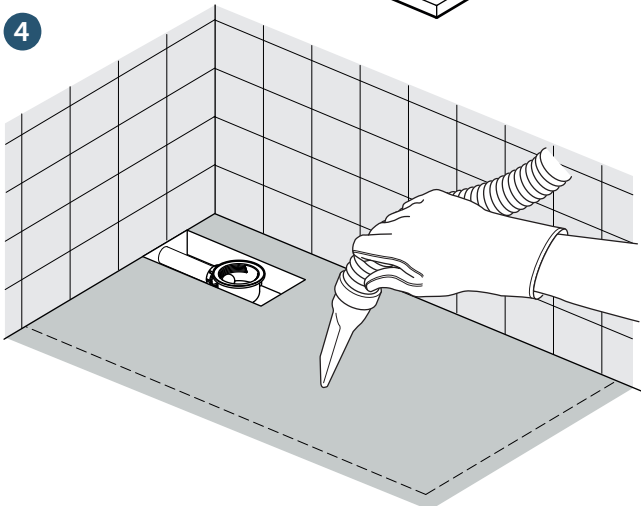
2



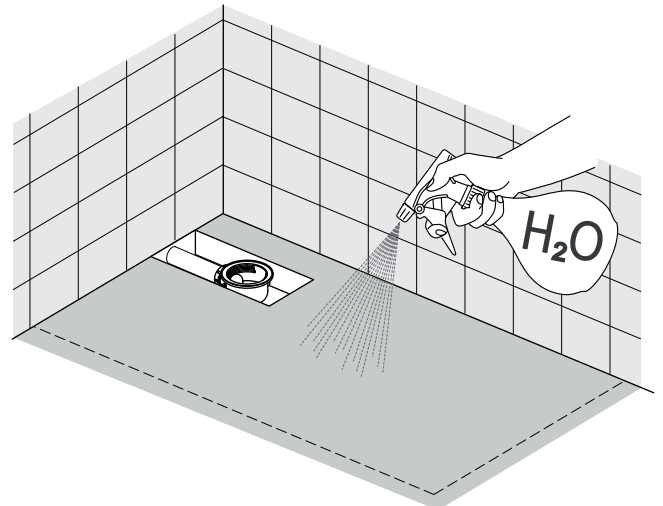
3

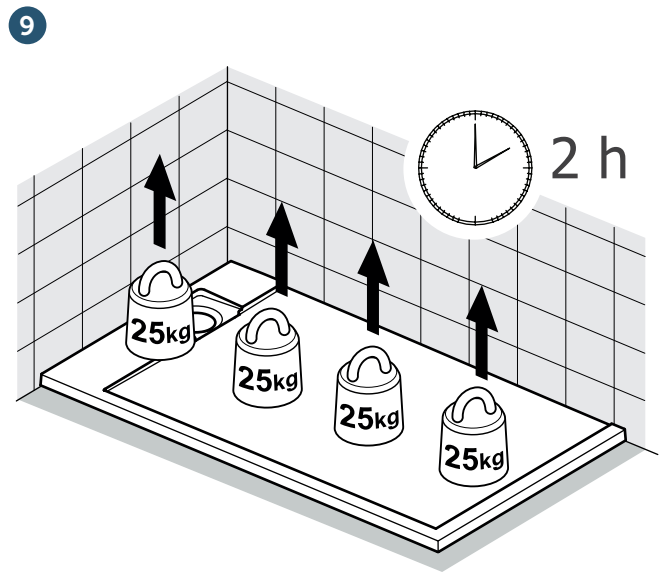
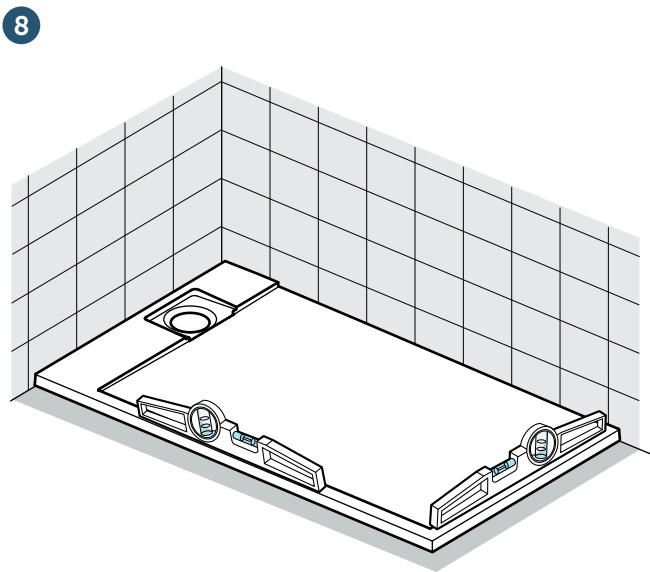
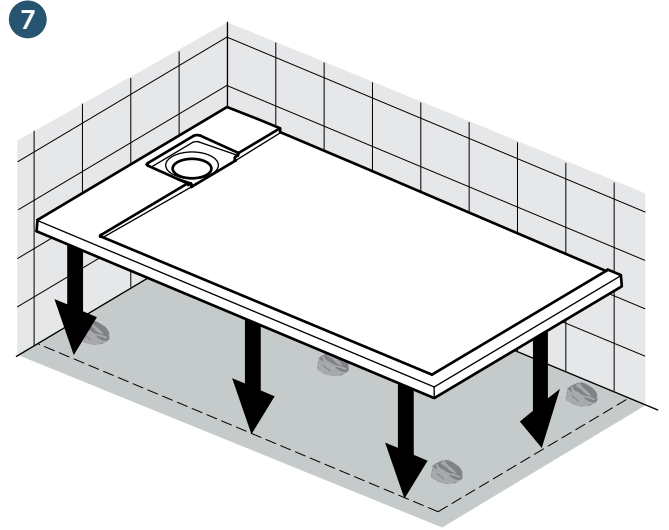
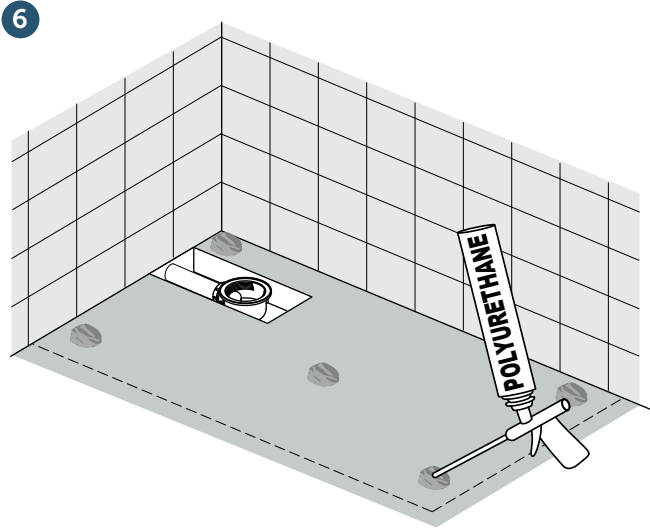


4



5





All measurements are in cm. Dimensional tolerances  $\pm 5$  mm.; Toutes les