

Prosys 150 depth WC cistern, pneumatic

ILLUSTRATED

- R0316** Prosys 150 depth WC cistern, pneumatic front or top actuation
- R0116** Oleas P1 pneumatic dual flushplate Ideal Standard - chrome

OPTIONS



- R0119** Oleas P2 pneumatic dual flushplate Ideal Standard - white
- S0857** Oleas P2 pneumatic dual flushplate Armitage Shanks - chrome
- R0124** Oleas P3 pneumatic dual flushplate Ideal Standard - white
- R0110** Solea P2 pneumatic dual flushplate Ideal Standard - white
- S0775** Septa Pro P1 pneumatic metal dual flushplate Armitage Shanks
- S0860** Septa Pro P2 pneumatic metal dual small flushplate Armitage Shanks
- S0776** Septa Pro P3 pneumatic metal single small flushplate Armitage Shanks
- R0136** Septa Pro P4 pneumatic metal dual small flushplate with raised adjustable buttons
- P0109** Septa Pro XS pneumatic push button no logo - chrome

ILLUSTRATED PRODUCT DETAILS

Weights

- R0316** 2.96 KG
- R0116** 0.38 KG

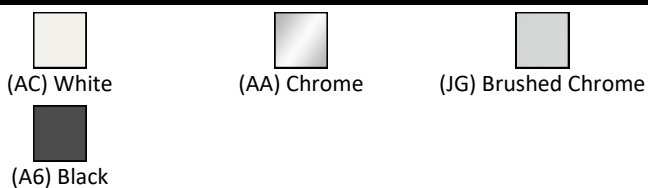
Finishes

- R0316**  Neutral / No Finish (67)
- R0116**  White (AC)

Materials

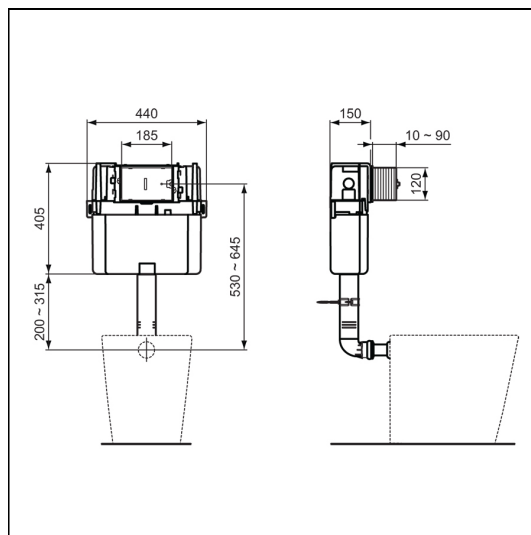
- R0316** Mixed Material
- R0116** Mixed Material

FINISH OPTIONS



Special Notes

Suitable for use with BTW & Wall hung WC bowls at 6 litre dual flush. For use with Oleas, Solea and Septa Pro pneumatic flushplates. Not suitable for electronic actuation flushplates. **IMPORTANT**-Minimum height requirement to top of cistern-955mm



ACCREDITATIONS

FEATURES

