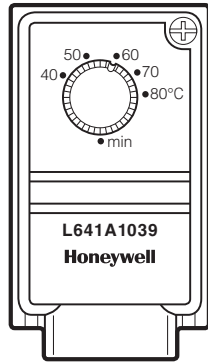
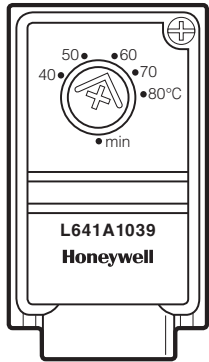


## L641A - Cylinder Thermostat



### Installation Instructions

The L641 is a water temperature thermostat designed for surface mounting on domestic hot water cylinders. It is supplied complete with mounting strap for rapid and easy installation, so draining of the system or tapping the cylinder is not necessary. The desired temperature control point is set by the clearly scaled temperature selector on the front cover.



#### Features

- Snap action SPDT Micro Switch™.
- Wiring terminals are easily accessible.
- Tamperproof temperature setting.
- Optional manual setting knob supplied

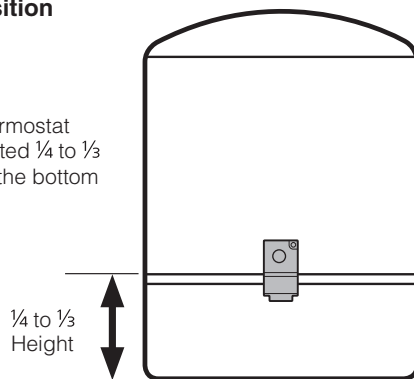
#### Specification

Switch Action: SPDT, Type 1 CL.  
 Switch Rating: 230V~ 4(2)A 50...60Hz  
 Temperature Setting Range: 40...80°C  
 Differential: Approximately 10°C non-adjustable  
 Ambient Temperature Range: 0...55°C  
 Cylinder Surface Temperature Range: 0...95°C

42007492-001 R6

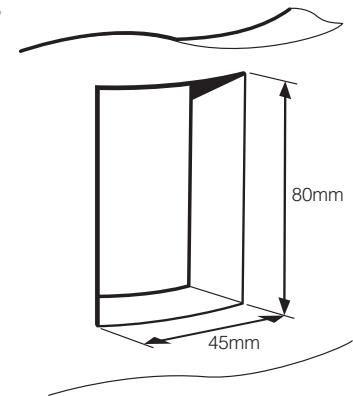
### 1 Mounting Position

The cylinder thermostat should be mounted  $\frac{1}{4}$  to  $\frac{1}{3}$  of the way from the bottom of the cylinder.



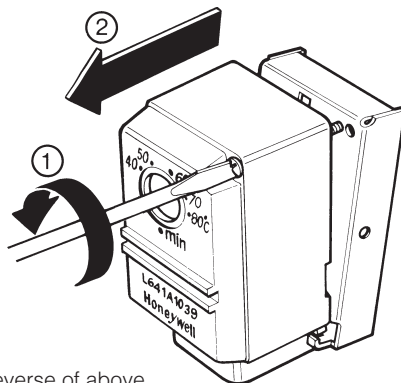
### 2 Pre-insulated cylinder preparation

Remove a section of insulation as specified. Clean cylinder surface to ensure good surface contact.



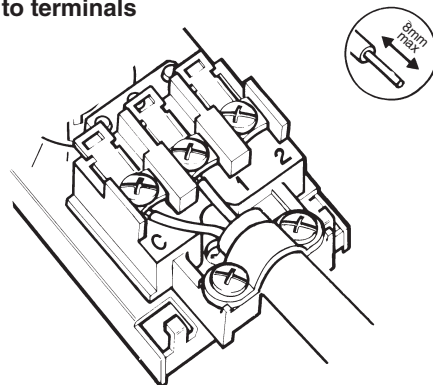
### 3 Cover Removal

**Caution:** Isolate power supply and make safe before wiring the unit to prevent electric shock and equipment damage. Installation should be carried out by a competent person.



Cover installation is the reverse of above

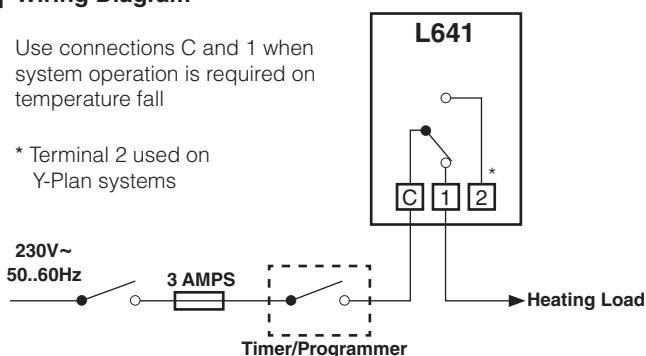
### 4 Wiring to terminals



### 5 Wiring Diagram

Use connections C and 1 when system operation is required on temperature fall

\* Terminal 2 used on Y-Plan systems



All wiring must be in accordance with I.E.E. regulations.

Use heat resisting flexible cable rated at 85°C.

A switch, having contact separation of at least 3mm in all poles, must be incorporated in the fixed wiring as a means of disconnecting the supply.

The thermostat is a class II (double insulated device) requiring no earth connection.

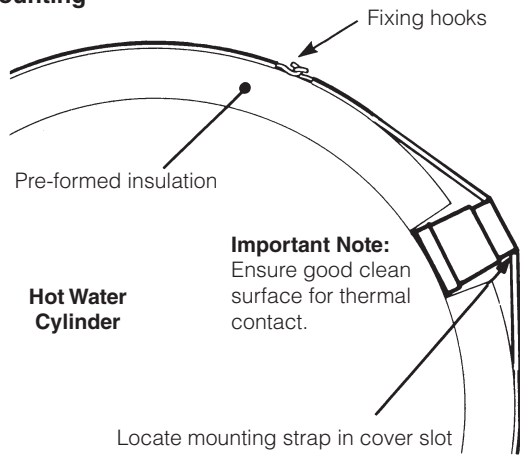
The heating system must be appropriately fused with a fuse rating of no higher than 3 amps.

For use in normal domestic environments.

#### EMC compliance considerations

Keep AC mains supply/load cables separate from signal wiring. Refer to Code of Practice EN61000-5-1 and -2 for guidance.

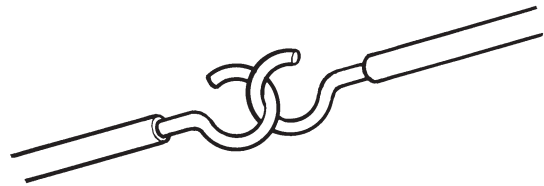
## 6 Mounting



**Important Note:**  
Ensure good clean surface for thermal contact.

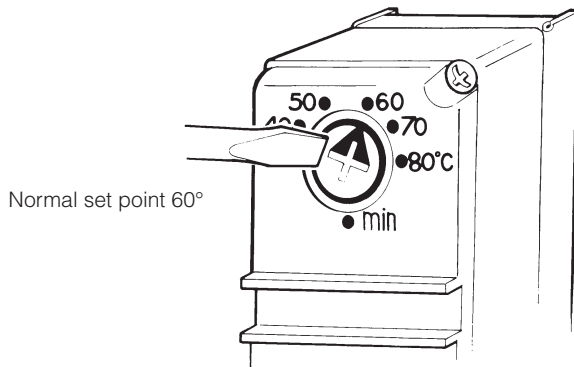
## 7 Fixing Strap and Hooks

Cut strap to size (if required) to ensure thermostat is held firmly against cylinder.

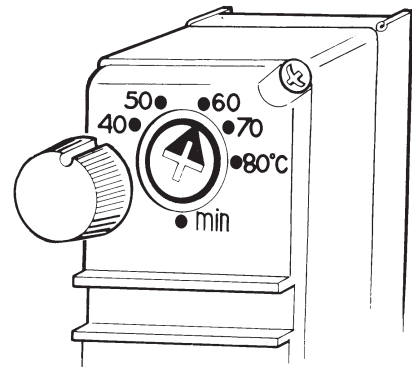


Screw hooks into strap and link together to secure around cylinder.

## 8 Temperature Setting (Tamperproof option)



## 9 Optional Manual Setting Knob (Non tamperproof option)



**Important Note:**  
Ensure slot in knob is **aligned with arrow** then push home firmly

## What is a cylinder thermostat? ...an explanation for householders

A cylinder thermostat switches on and off the heat supply from the boiler to the hot-water cylinder. It works by sensing the temperature of the water inside the cylinder, switching on the water heating when the temperature falls below the thermostat setting, and switching it off once this set temperature has been reached.

Turning a cylinder thermostat to a higher setting will not make the water heat up any faster. How quickly the water heats up depends on the design of the heating system, for example, the size of the boiler and the heat exchanger inside the cylinder.

The water heating will not work if a time switch or programmer has switched it off. And the cylinder thermostat will not always switch the boiler off, because the boiler sometimes needs to heat the radiators.

Cylinder thermostats are usually fitted between one quarter and one third of the way up the cylinder. The cylinder thermostat will have a temperature scale marked on it, and it should be set at between 60°C and 65°C, then left to do its job. This temperature is high enough to kill off harmful bacteria in the water, but raising the temperature of the stored hot water any higher will result in wasted energy and increase the risk of scalding.

If you have a boiler control thermostat, it should always be set to a higher temperature than that of the cylinder thermostat. In most boilers, a single boiler thermostat controls the temperature of the water sent to both the cylinder and the radiators, although in some cases there are two separate boiler thermostats.



**IMPORTANT: No user serviceable parts.**

This product and its associated documentation and packaging are protected by various intellectual property rights belonging to Honeywell Inc and its subsidiaries and existing under the laws of the UK and other countries. These intellectual and property rights may include patent applications, registered designs, unregistered designs, registered trade marks, unregistered trade marks and copyrights. Honeywell reserves the right to modify this document, product and functionality without notice. This document replaces any previously issued instructions and is only applicable to the product(s) described. This product has been designed for applications as described within this document. For use outside of the scope as described herein, refer to Honeywell for guidance. Honeywell cannot be held responsible for misapplication or the product(s) described within this document. Manufactured for and on behalf of the Environmental and Combustion Controls Division of Honeywell Technologies Sàrl, ACS-ECC EMEA, Z.A. La Pièce 16, 1180 Rolle, Switzerland, by its Authorised Representative Honeywell Inc.

### Honeywell Control Systems Ltd.

Arlington Business Park,  
Bracknell  
Berkshire, RG12 1EB  
Technical Help Desk: 08457 678999  
www.honeywelluk.com



**Honeywell**

## Check out our full range of Heating Products

Central Heating Controls

Honeywell Heating Controls

Danfoss Heating Controls

Radiator Valves

Fernox

Sentinel

Magnaclean

Warmup underfloor heating

Water Heaters

Hand Dryers

**plumbworld**  
**Big brands, small prices.**