

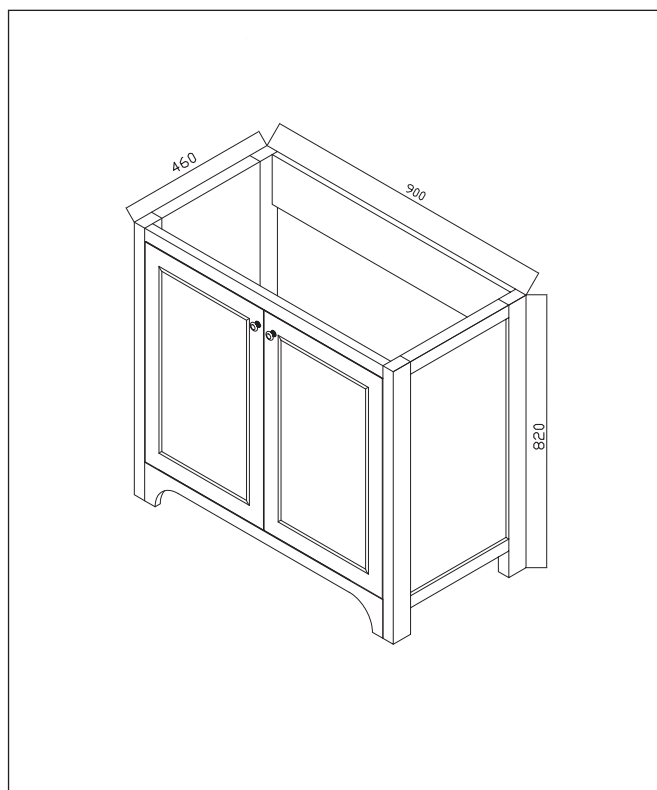
Product Datasheet

Brunswick 900 Vanity Unit Spa Grey



Product Code	HARR-BRUNS-900-SPA
Product Description	Brunswick 900 Vanity Unit
Barcode	5060713729495
Product Measurements	
Product Weight (KG)	37.6
Product Width (mm)	900
Product Height (mm)	820
Product Depth (mm)	460
Primary Packed Measurements	
Packaged Weight (KG)	39.6
Packed Width (mm)	950
Packed Height (mm)	870
Packed Depth (mm)	510

General Information	
Construction Material	Painted MDF
Installation type	Floor Mounted
Colour / Finish	Spa Grey



Dimensions