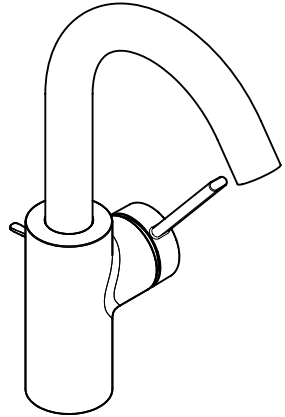


EN Instructions for use / Assembly instructions



Zesis S 210

74740XX0 / 74741XX0 / 74742XX0



Safety Notes

- ⚠ Gloves should be worn during installation to prevent crushing and cutting injuries.
- ⚠ The product may only be used for bathing, hygienic and body cleaning purposes.
- ⚠ The hot and cold supplies must be of equal pressures.

Installation Instructions

- Prior to installation, inspect the product for transport damages. After it has been installed, no transport or surface damage will be honoured.
- The pipes and the fixture must be installed, flushed and tested as per the applicable standards.
- The plumbing codes applicable in the respective countries must be observed.
- The drain valve must only be used as intended. It is not allowed to attach other objects to the drain valve, for example a semi-pedestal.
- If the instantaneous water heater causes problems or if you wish to increase the water flow, the EcoSmart (flow limiter) located behind the aerator can be removed.

Technical Data

This mixer series-produced with EcoSmart (flow limiter)

Operating pressure: max. 1 MPa
 Recommended operating pressure: 0,1 - 0,5 MPa
 Test pressure: 1,6 MPa
 (1 MPa = 10 bar = 147 PSI)

Hot water temperature: max. 60 °C
 Thermal disinfection: 70 °C / 4 min

The product is exclusively designed for drinking water!

Symbol description



Do not use silicone containing acetic acid!



Adjustment (see page 38)

To adjust the hot water limiter. Using a hot water limiter in combination with a continuous flow water heater is not recommended.



Dimensions (see page 39)



Flow diagram (see page 39)



Spare parts (see page 43)

XX = Colors
 00 = Chrome Plated
 67 = Matt Black

Special accessories (order as an extra)



- special tool #58085000 (see page 37)



- Installation putty (see page 37)



Cleaning (see page 40)



Operation (see page 40)

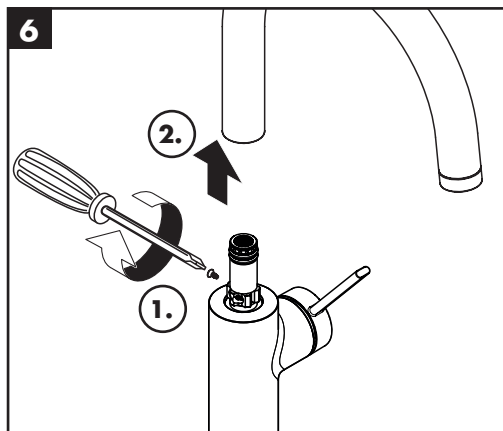
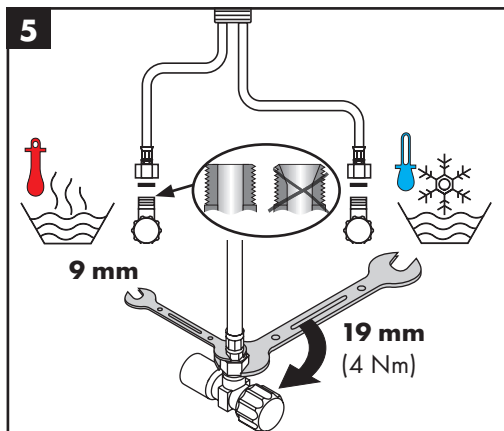
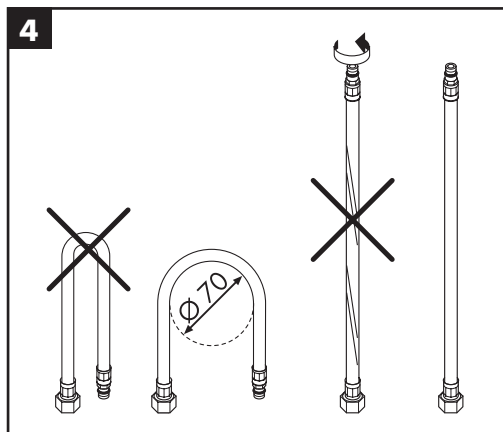
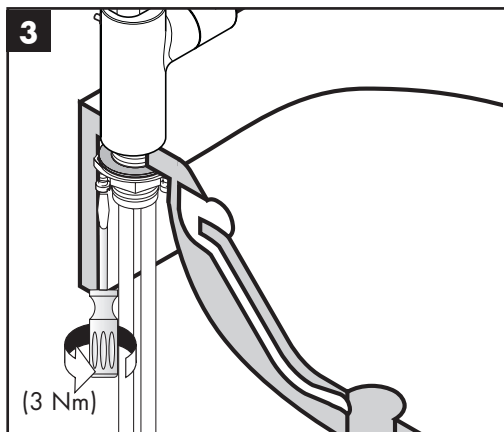
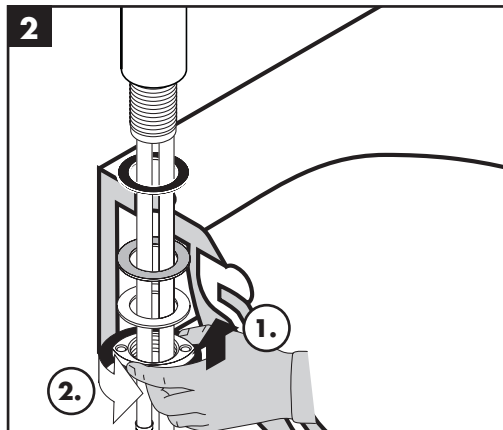
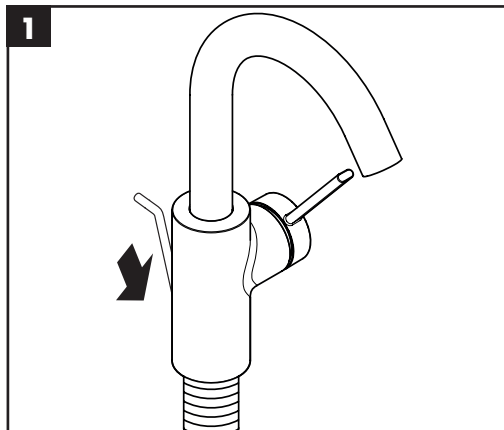
Hansgrohe recommends not to use as drinking water the first half liter of water drawn in the morning or after a prolonged period of non-use.

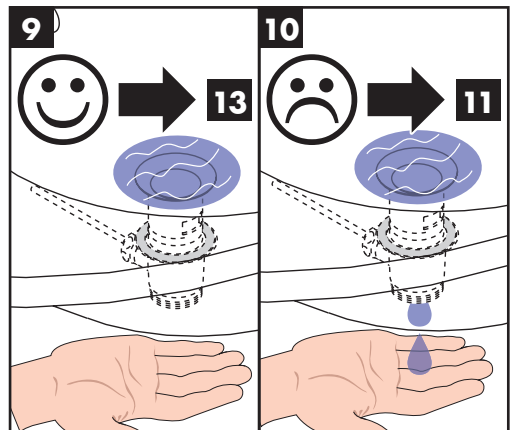
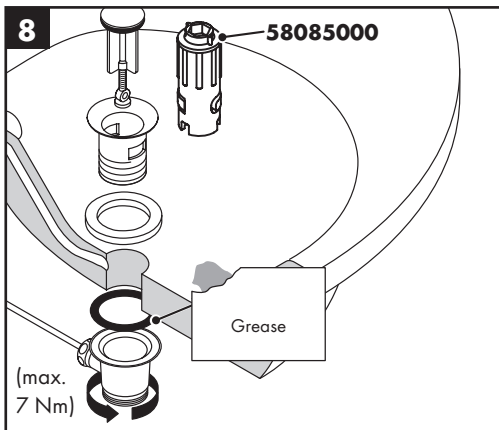
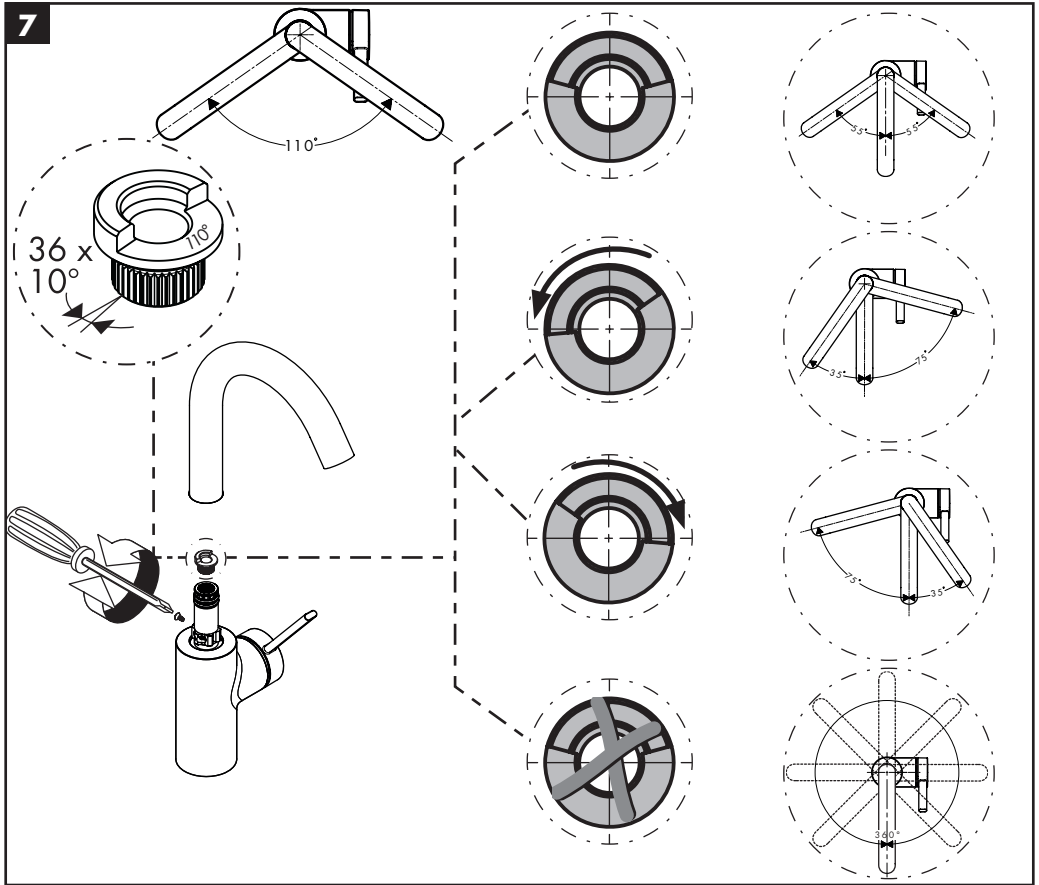


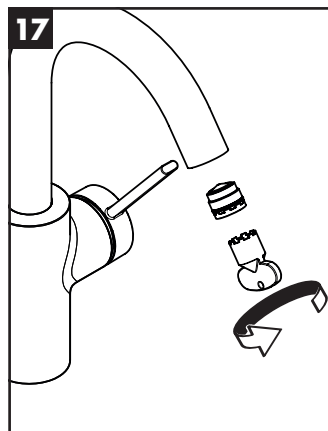
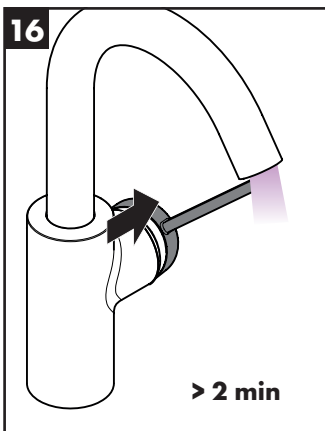
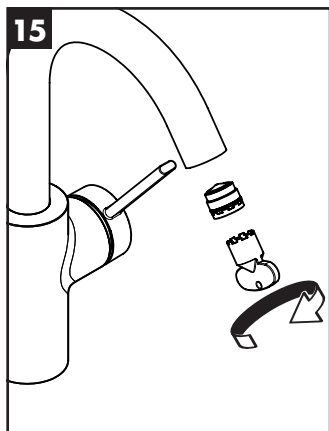
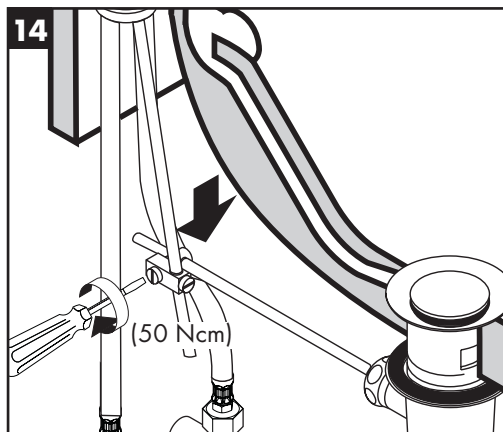
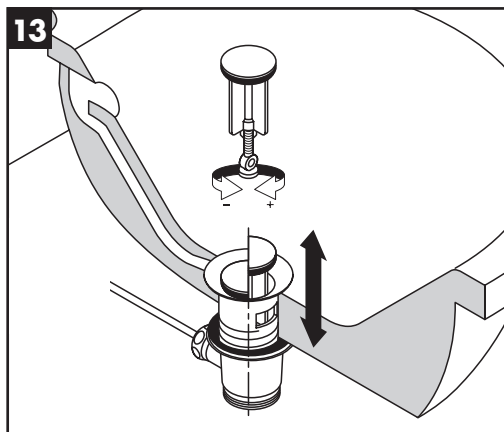
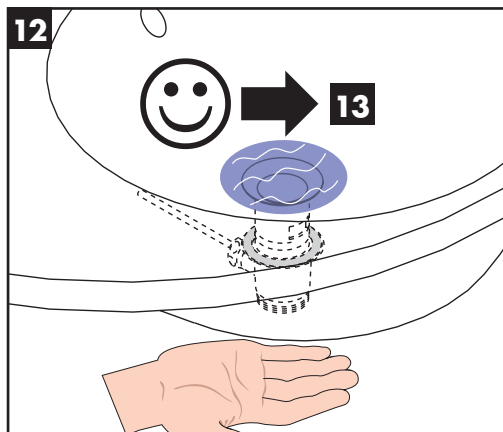
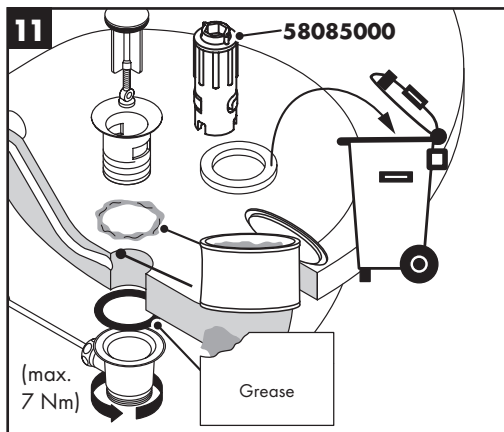
Test certificate (see page 44)

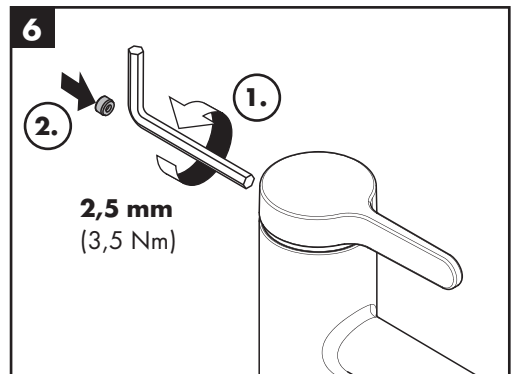
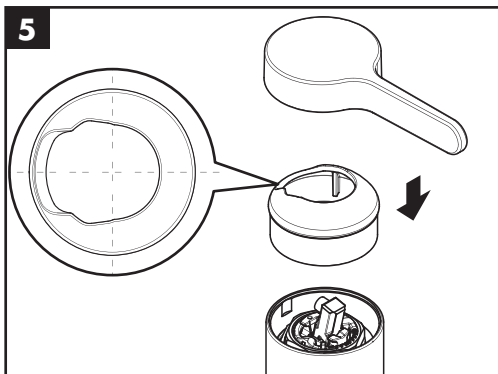
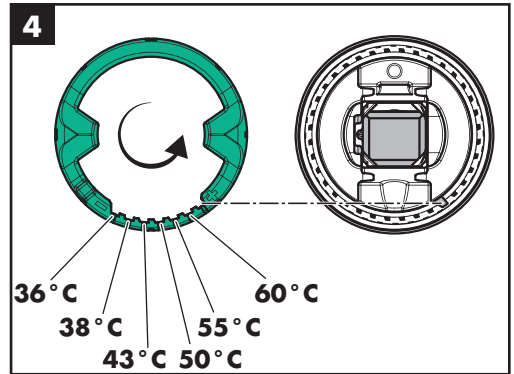
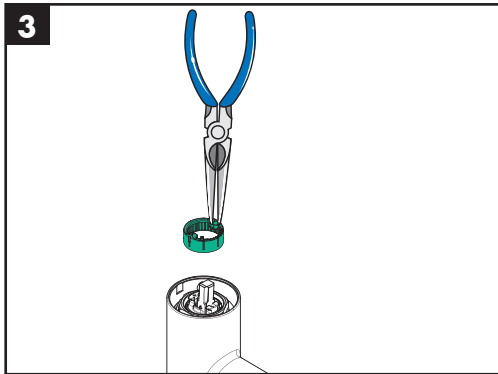
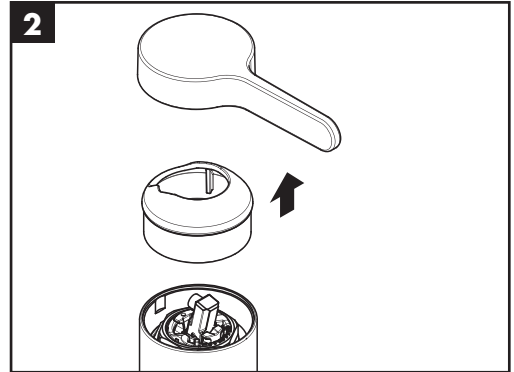
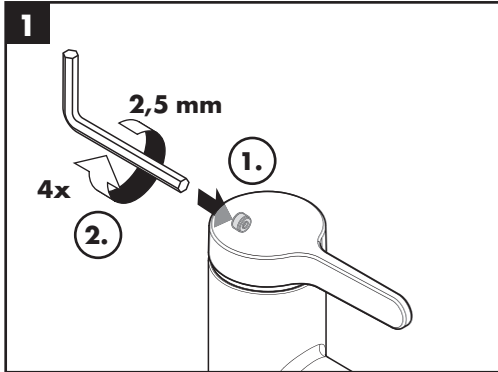
| Fault | Cause | Remedy |
|--|---|---------------------------------------|
| Insufficient water | - Aerator calcified, dirty | - Clean aerator, replace as necessary |
| Mixer stiff | - Cartridge defective, calcified | - Exchange cartridge |
| Mixer dripping | - Cartridge defective | - Exchange cartridge |
| Water escaping in area of swivel spout | - O-ring defective | - Exchange O-ring |
| Water escaping at the threaded base | - connection hoses not completely screwed into basic body | - Tighten connection hoses by hand |
| | - O-ring at the connection hose defective. | - Exchange O-ring |
| Hot water temperature too low | - Hot water limiter incorrectly set | - Set hot water limiter |







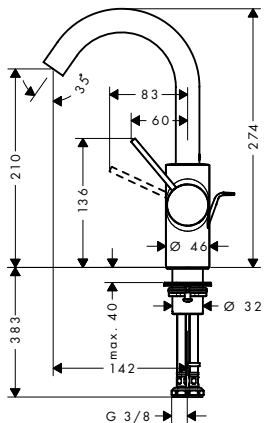






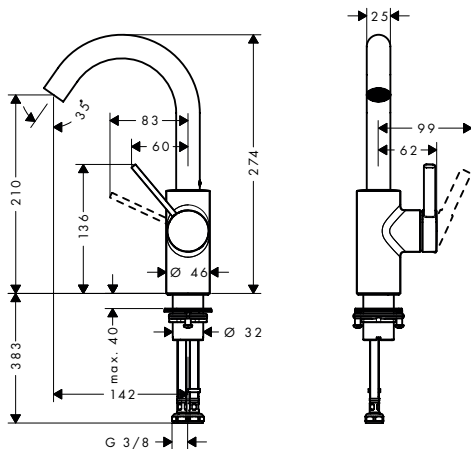
Zesis S 210

74740XX0

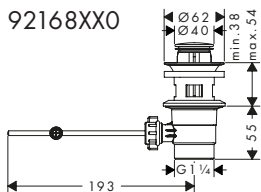


Zesis S 210

74741XX0 / 74742XX0



92168XX0

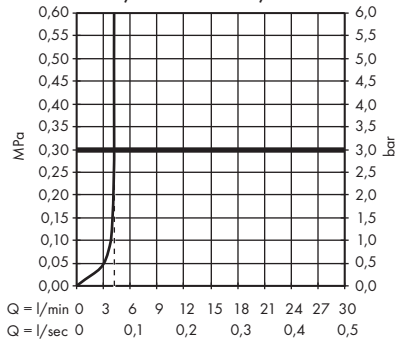


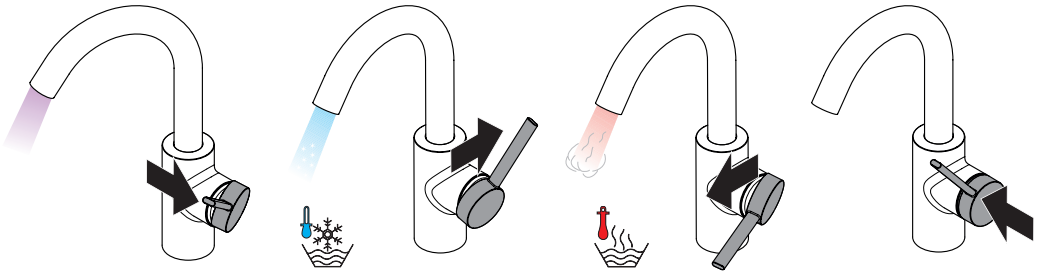
50105XX0



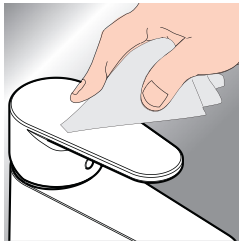
Zesis S 210

74740XX0 / 74741XX0 / 74742XX0





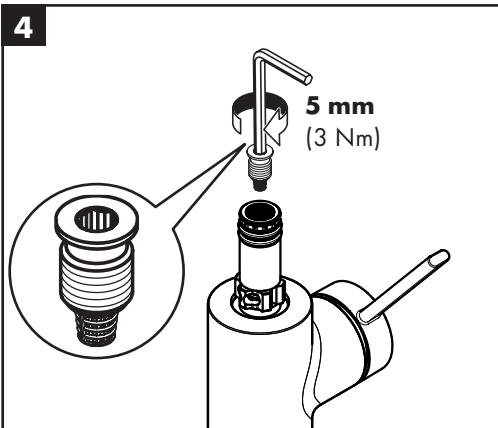
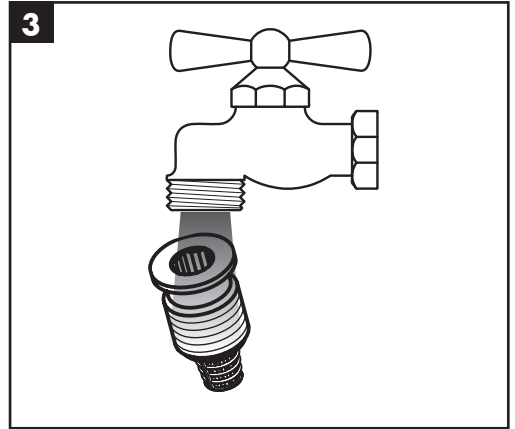
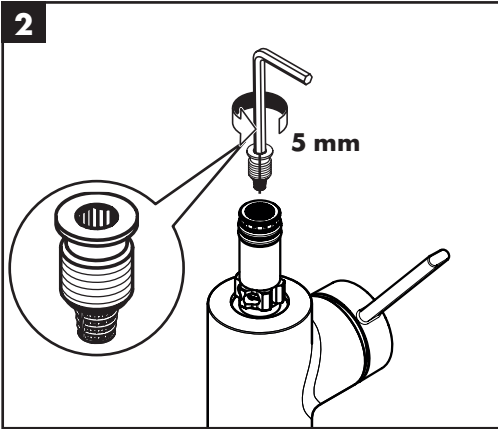
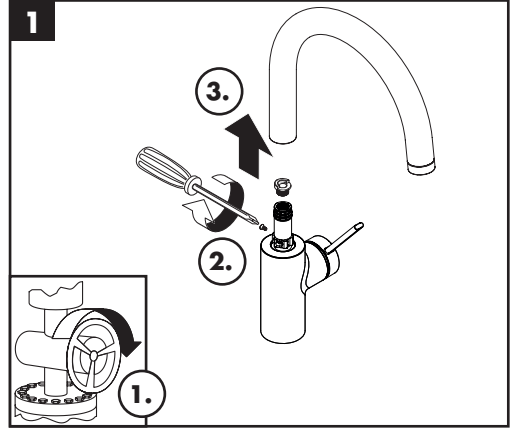
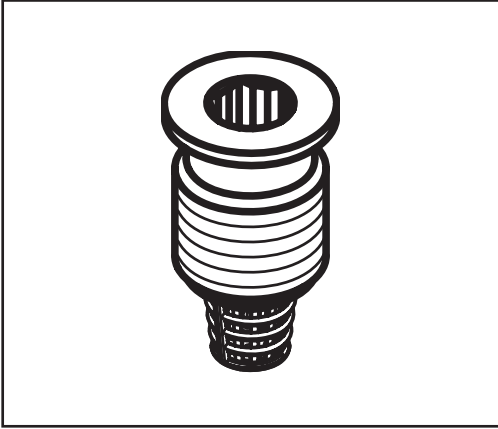
www.hansgrohe.com/cleaning-recommendation



*www.hansgrohe.com/warranty

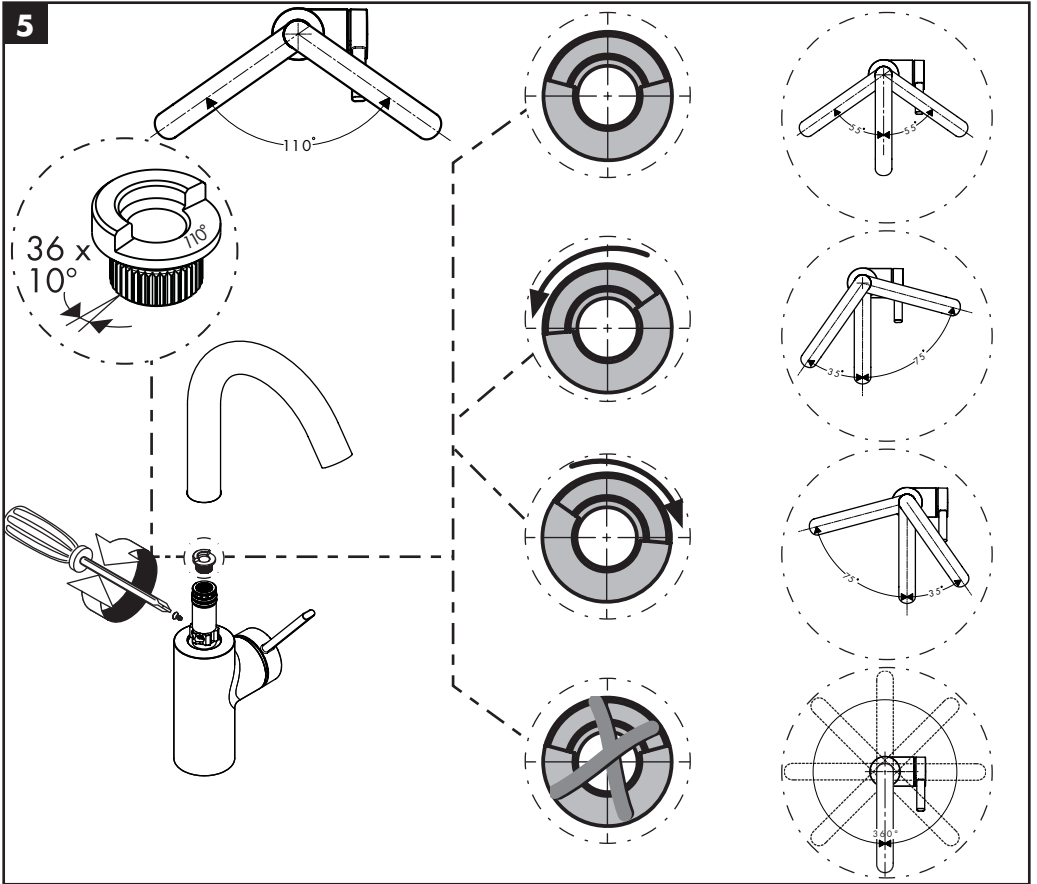


EN Cleaning recommendation / Warranty / Contact



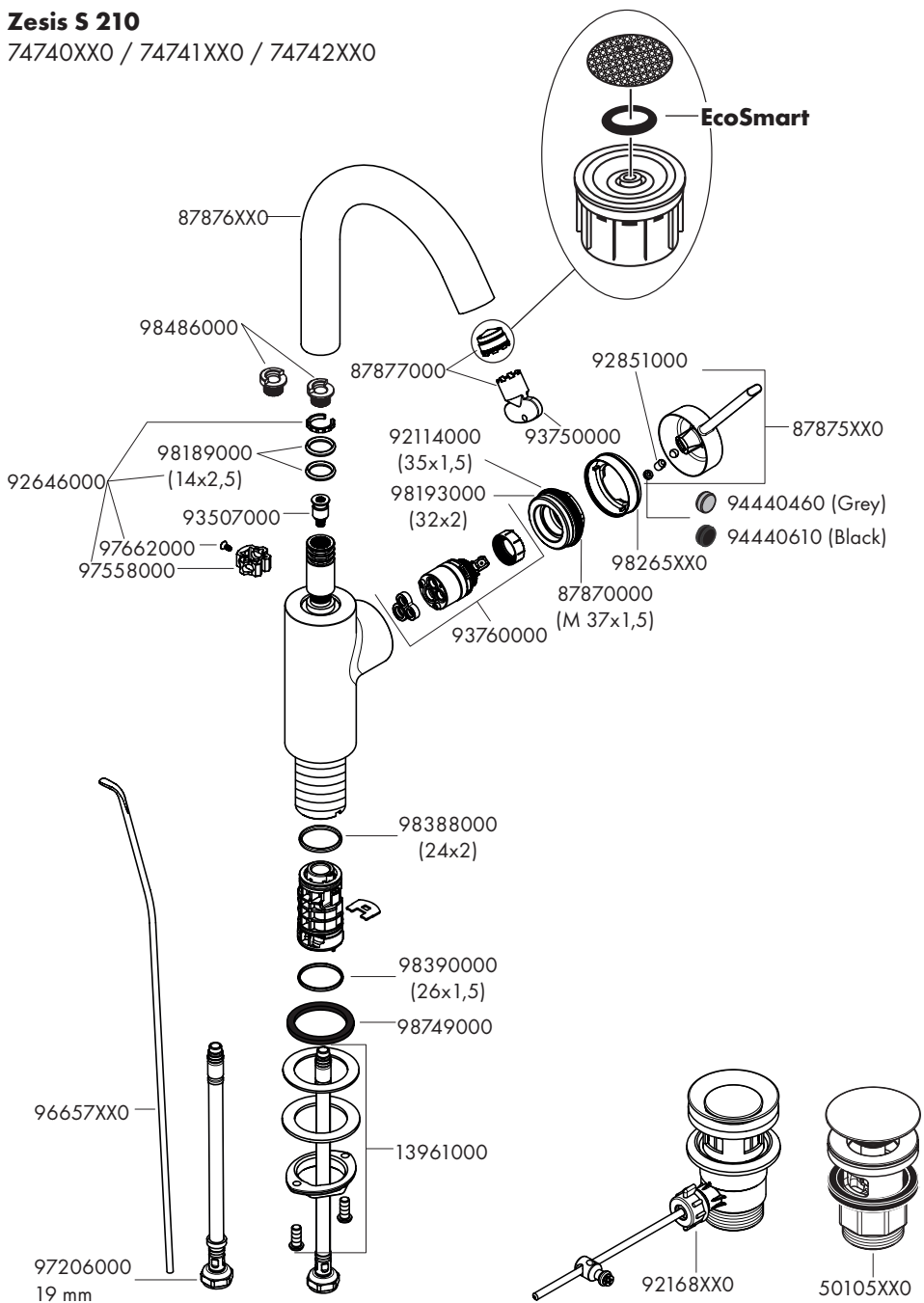


5



Zesis S 210

74740XX0 / 74741XX0 / 74742XX0





P-IX

DVGW



ETA

74740XXO PA-IX 10359/IIO

74741XXO PA-IX 10359/IIO

74742XXO PA-IX 10359/IIO

Hansgrohe SE

DIN 4109-1

PA-IX 10359/IIO

