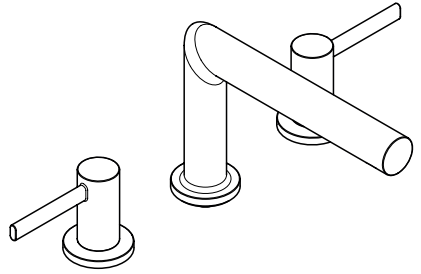


EN Instructions for use / Assembly instructions



Zesis S 100
74733000



Safety Notes

- ⚠ Gloves should be worn during installation to prevent crushing and cutting injuries.
- ⚠ The product may only be used for bathing, hygienic and body cleaning purposes.
- ⚠ The hot and cold supplies must be of equal pressures.

Installation Instructions

- Prior to installation, inspect the product for transport damages. After it has been installed, no transport or surface damage will be honoured.
- The pipes and the fixture must be installed, flushed and tested as per the applicable standards.
- The plumbing codes applicable in the respective countries must be observed.
- If the instantaneous water heater causes problems or if you wish to increase the water flow, the EcoSmart (flow limiter) located behind the aerator can be removed.


Technical Data

This mixer series-produced with EcoSmart (flow limiter)

Operating pressure:	max. 1 MPa
Recommended operating pressure:	0,1 - 0,5 MPa
Test pressure:	1,6 MPa
	(1 MPa = 10 bar = 147 PSI)
Hot water temperature:	max. 60 °C
Thermal disinfection:	70 °C / 4 min

The product is exclusively designed for drinking water!

Symbol description

 Do not use silicone containing acetic acid!

 **Dimensions** (see page 38)

 **Flow diagram** (see page 40)

 **Spare parts** (see page 39)

Special accessories (order as an extra)

 • special tool #58085000 (see page 36)

 • Installation putty (see page 36)

 **Cleaning** (see page 40)

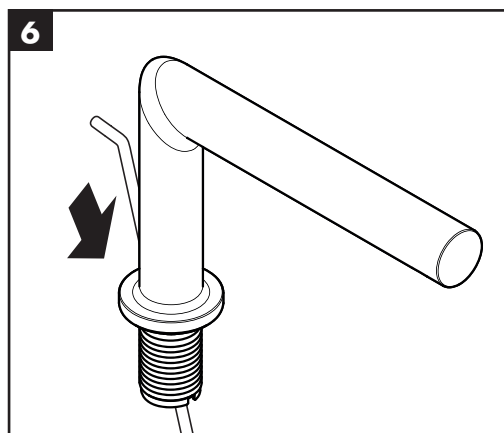
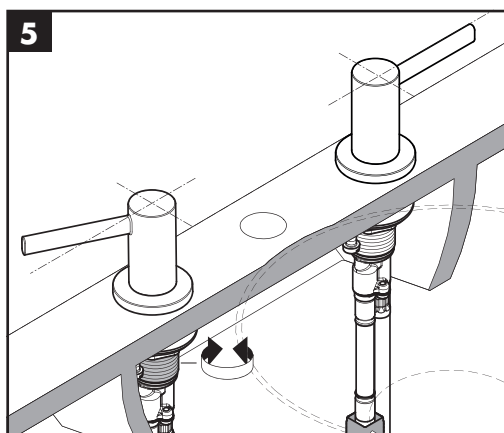
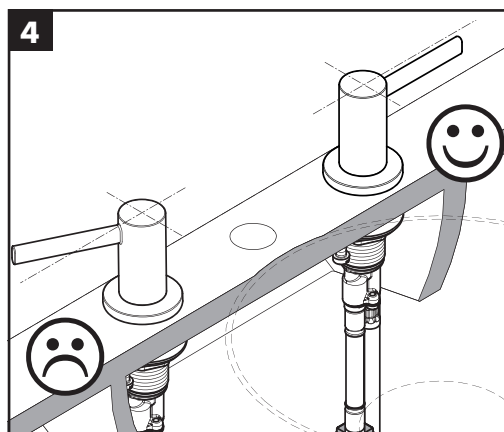
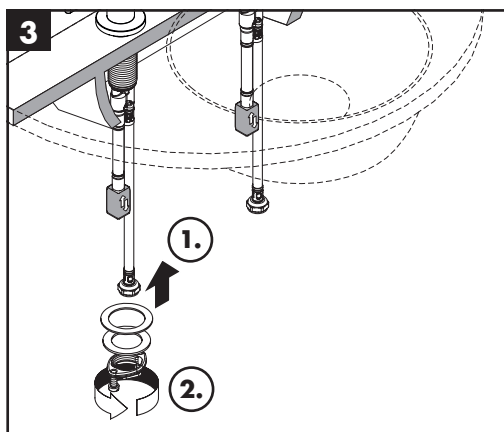
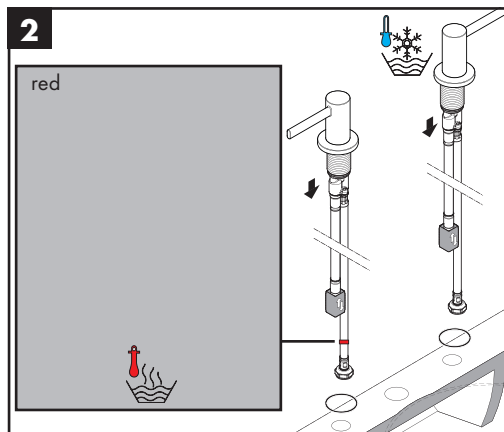
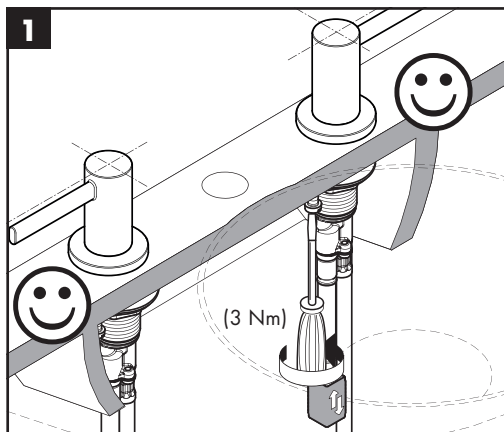


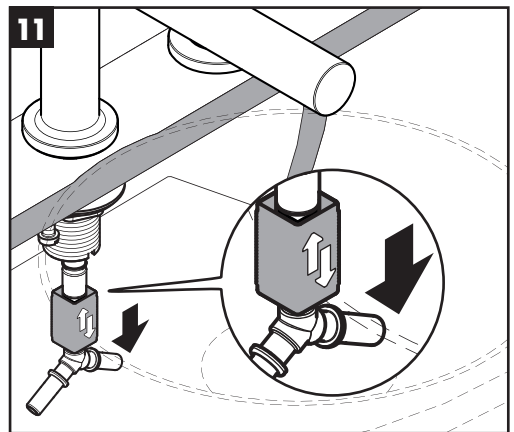
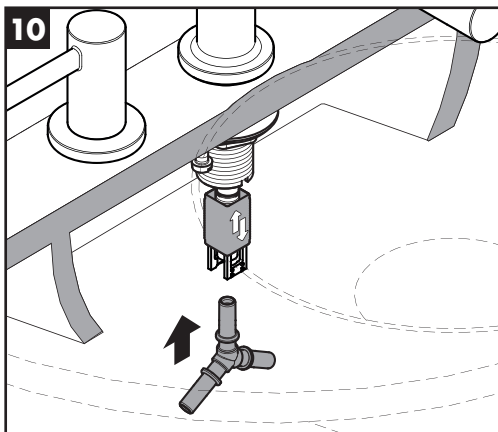
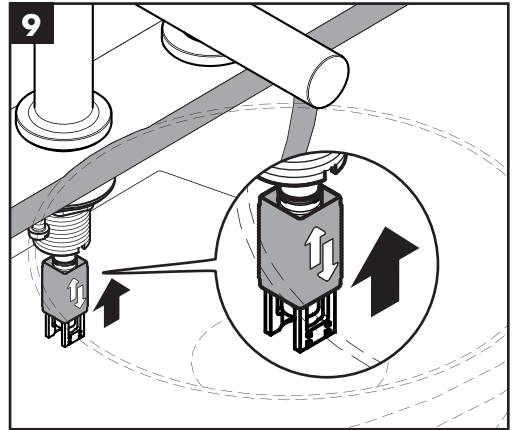
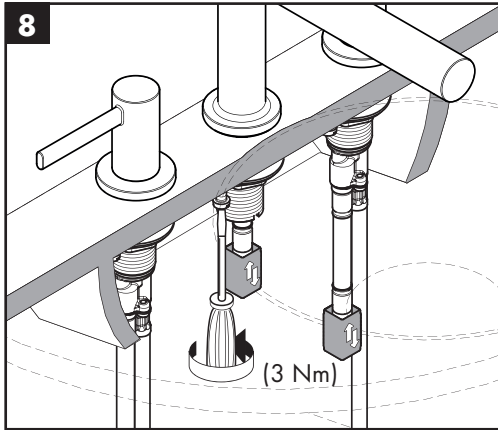
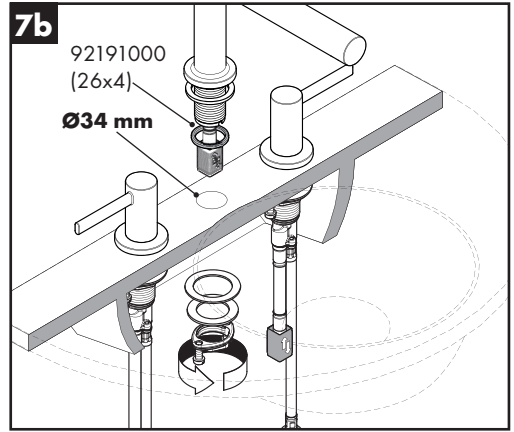
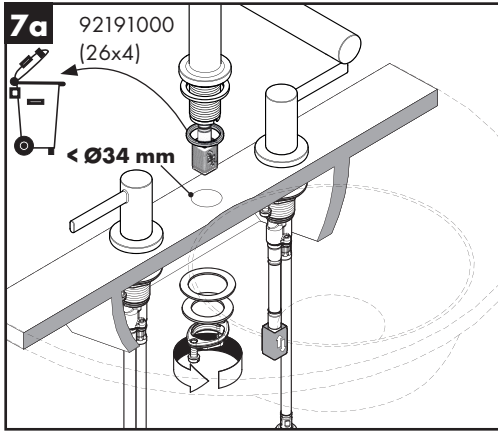
Operation (see page 37)

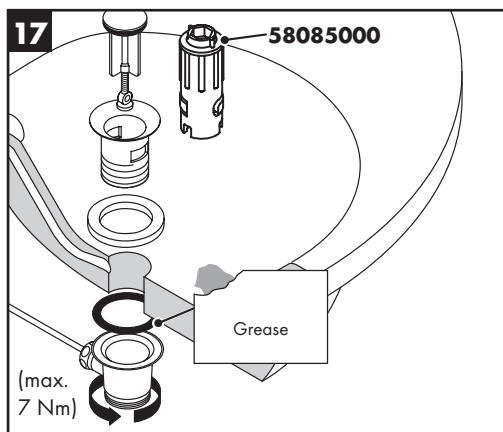
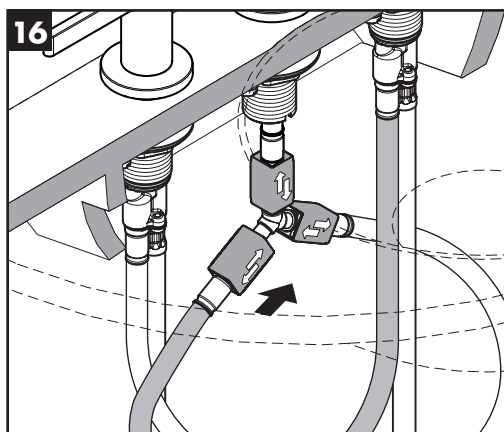
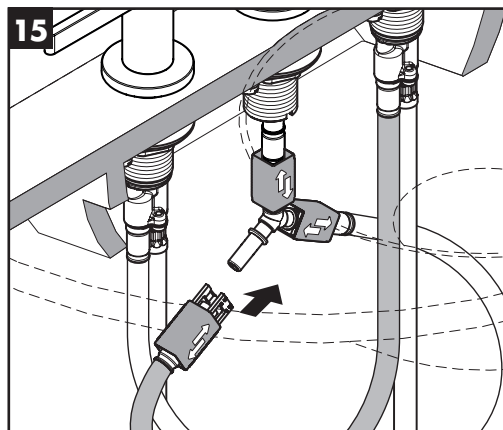
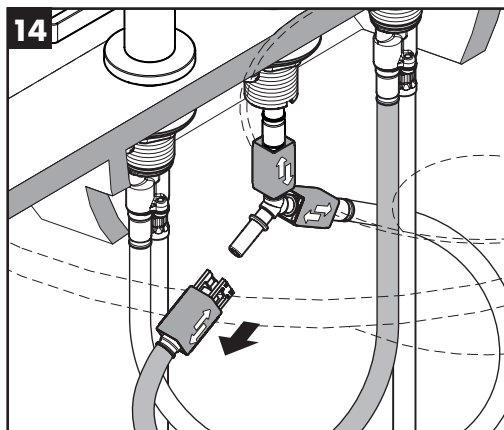
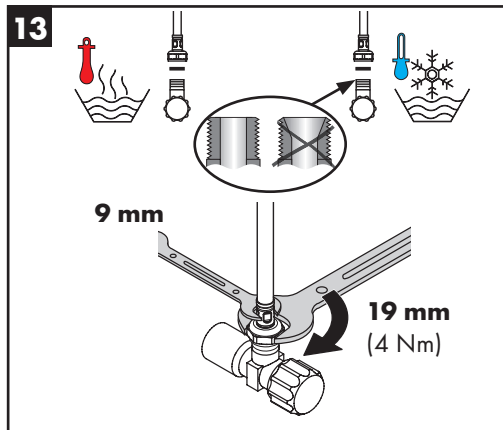
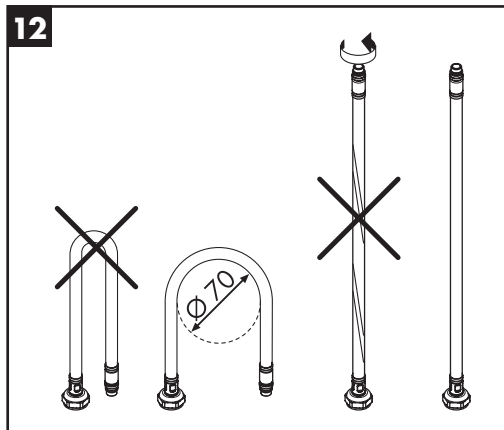
- Hansgrohe recommends not to use as drinking water the first half liter of water drawn in the morning or after a prolonged period of non-use.

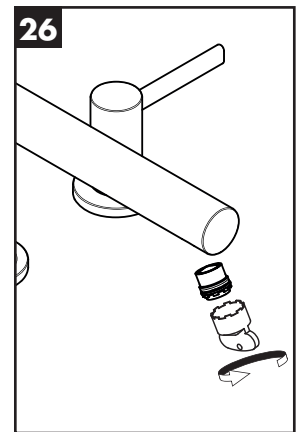
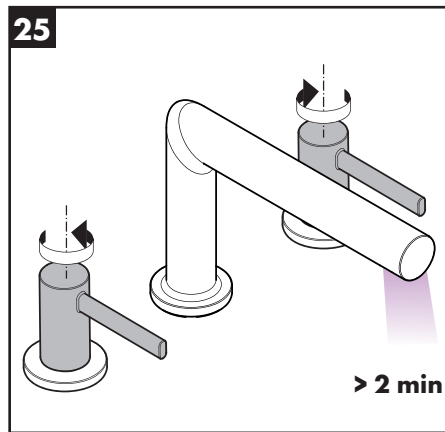
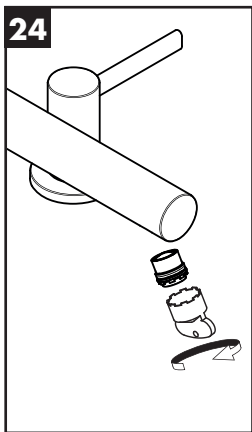
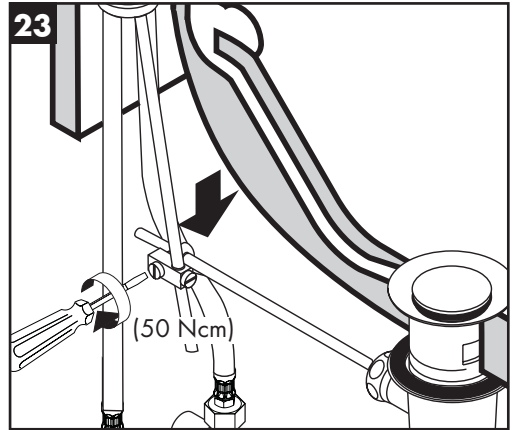
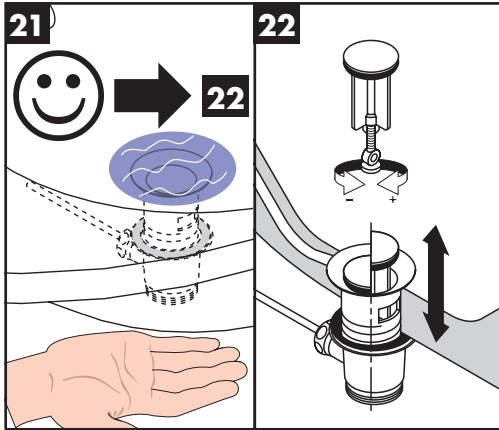
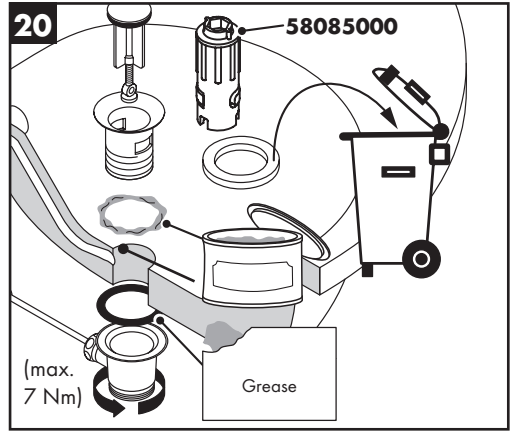
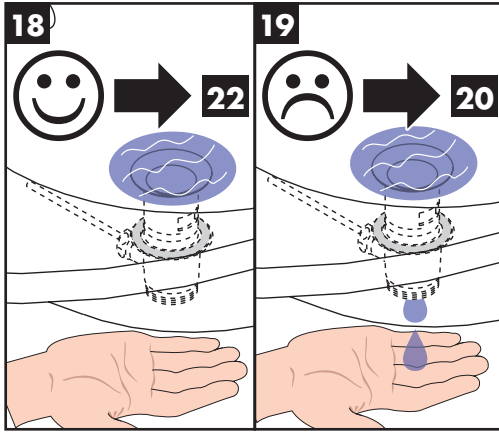


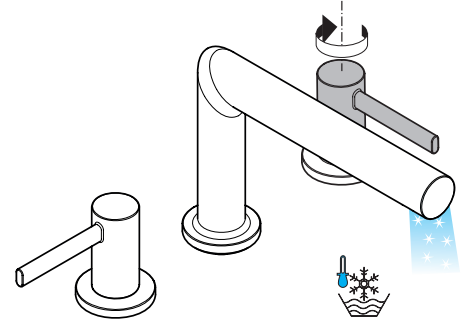
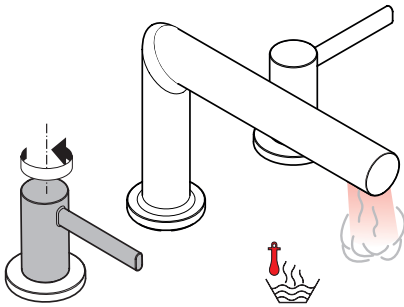
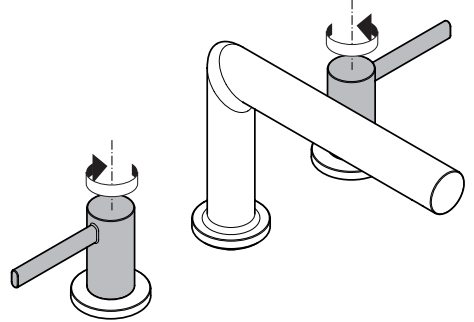
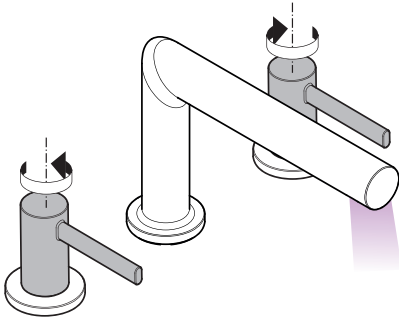
Test certificate (see page 37)









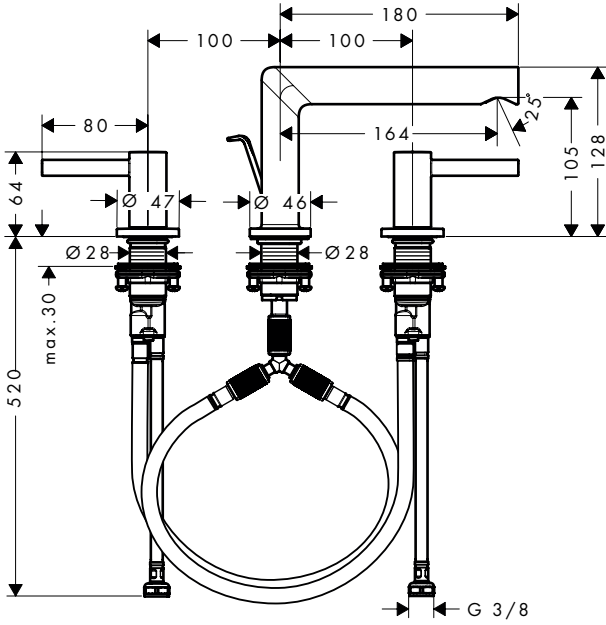


DVGW **STF** CERTIFICATION BODY **SE** KIWA

ETA

74733000

1763



92168000

