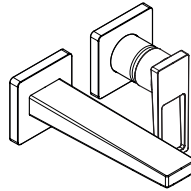
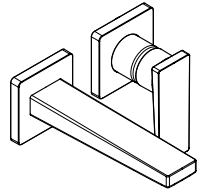


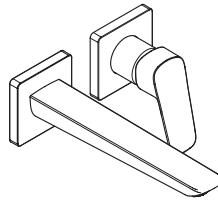
EN Instructions for use / Assembly instructions



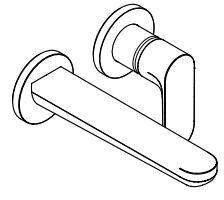
Metropol
74525000
74526000



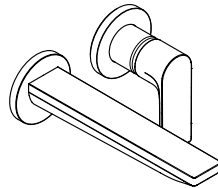
Metropol
32525000
32526XXX



Logis Fine
71256000



Rebris S
72528XXX



Rebris E
72568XXX



Safety Notes

- △ Gloves should be worn during installation to prevent crushing and cutting injuries.
- △ The product may only be used for bathing, hygienic and body cleaning purposes.
- △ The hot and cold supplies must be of equal pressures.

Installation Instructions

- Prior to installation, inspect the product for transport damages. After it has been installed, no transport or surface damage will be honoured.
- The pipes and the fixture must be installed, flushed and tested as per the applicable standards.
- The plumbing codes applicable in the respective countries must be observed.
- The drain valve must only be used as intended. It is not allowed to attach other objects to the drain valve, for example a semi-pedestal.
- If the instantaneous water heater causes problems or if you wish to increase the water flow, the EcoSmart® (flow limiter) located behind the aerator can be removed.

Technical Data

This mixer series-produced with EcoSmart® (flow limiter)

Operating pressure: max. 1 MPa
 Recommended operating pressure: 0,1 - 0,5 MPa
 Test pressure: 1,6 MPa
 (1 MPa = 10 bar = 147 PSI)

Hot water temperature: max. 60°C
 Thermal disinfection: 70°C / 4 min

The product is exclusively designed for drinking water!

Symbol description



Do not use silicone containing acetic acid!



Adjustment (see page 37)

To adjust the hot water limiter. Using a hot water limiter in combination with a continuous flow water heater is not recommended.



Dimensions (see page 38)



Flow diagram (see page 41)



Spare parts (see page 42)

XXX = Colors
 000 = Chrome Plated
 340 = Brushed Black Chrome
 670 = Matt Black
 700 = Matt White
 990 = Polished Gold-Optic

Special accessories (order as an extra)



extension 25 mm #31971000 (see page 42)



Cleaning (see page 44)

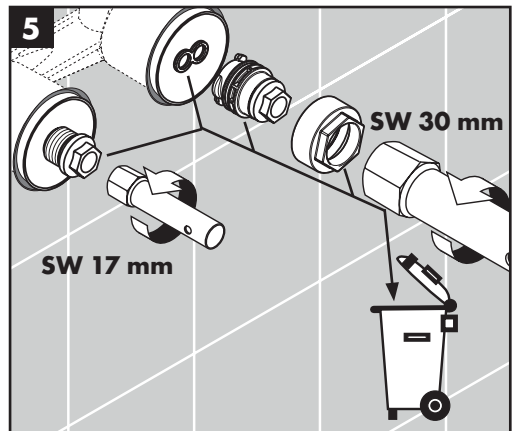
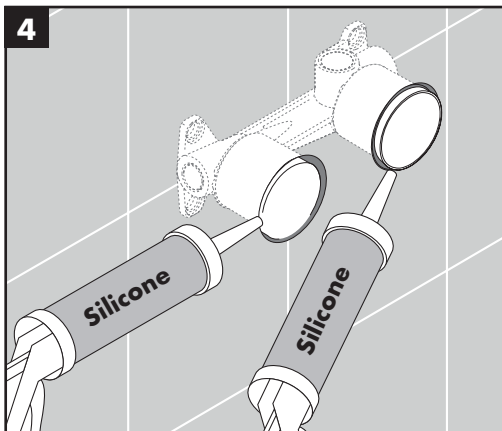
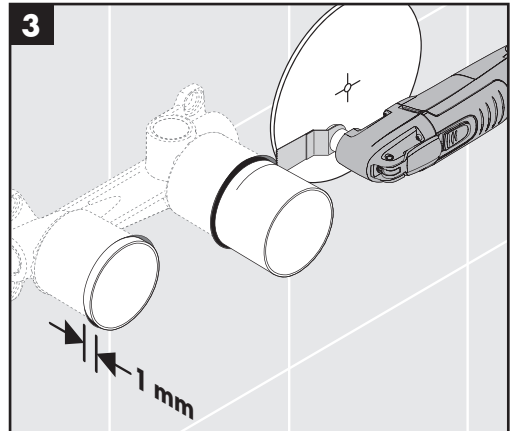
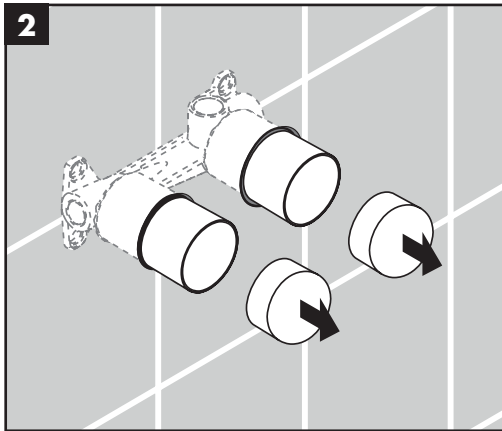
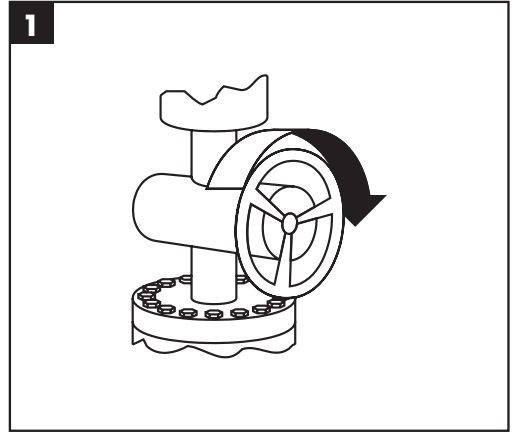
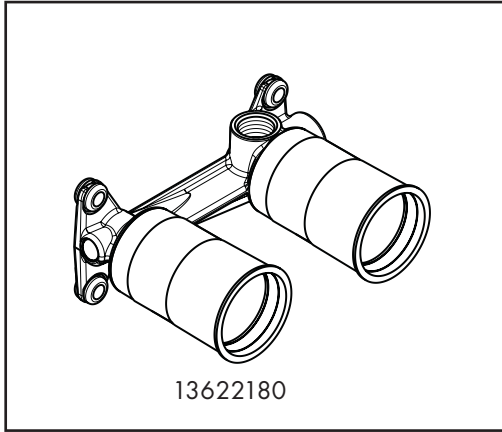


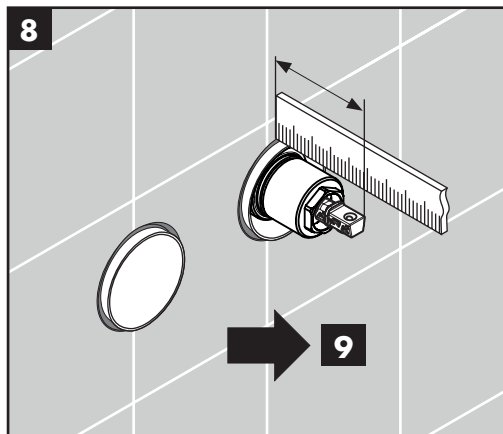
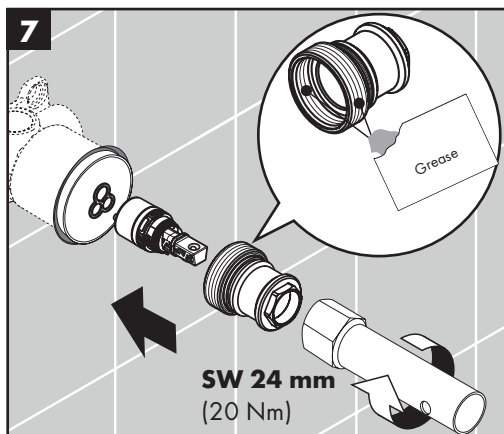
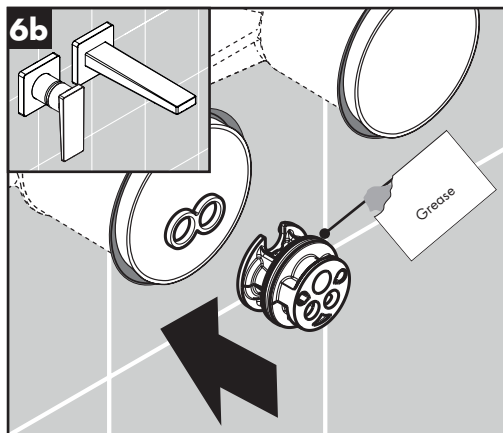
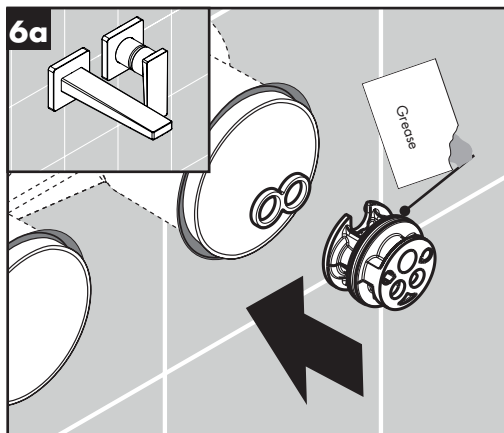
Operation (see page 41)

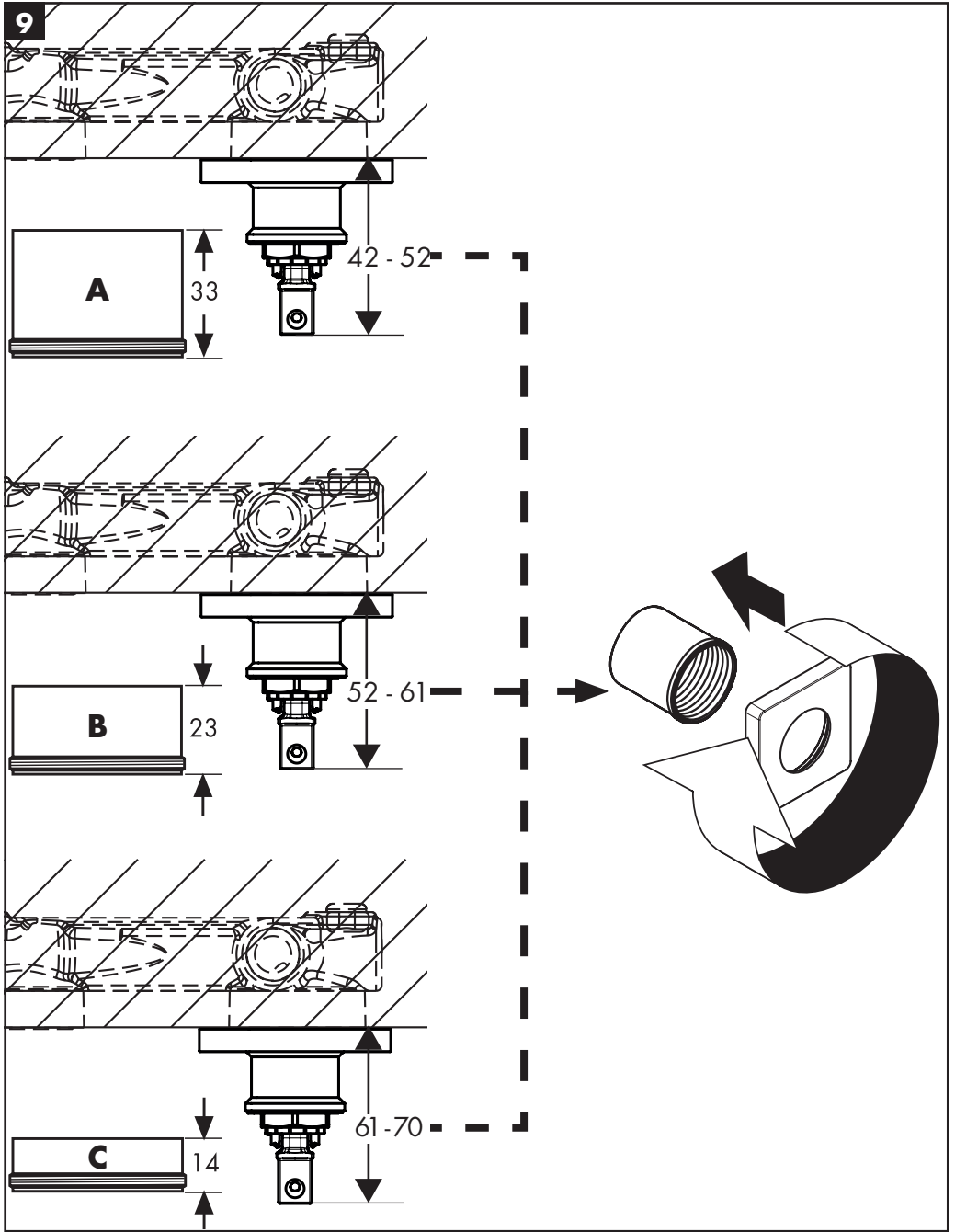
Hansgrohe recommends not to use as drinking water the first half liter of water drawn in the morning or after a prolonged period of non-use.

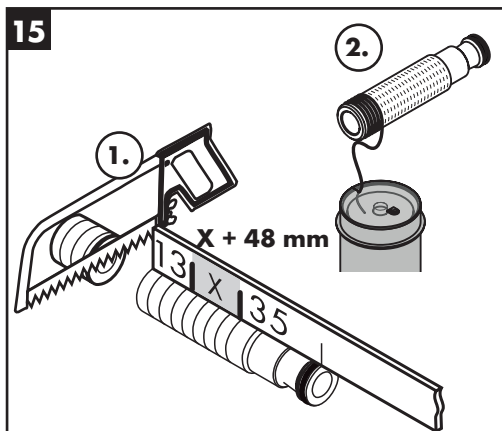
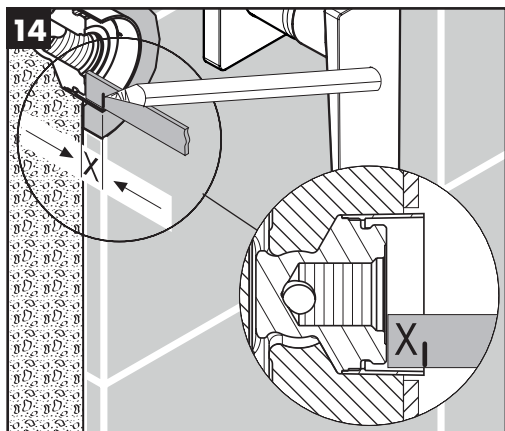
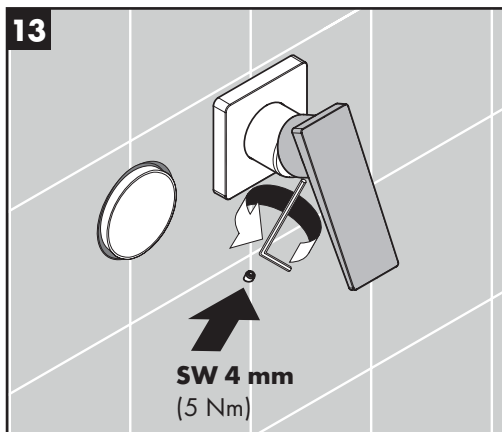
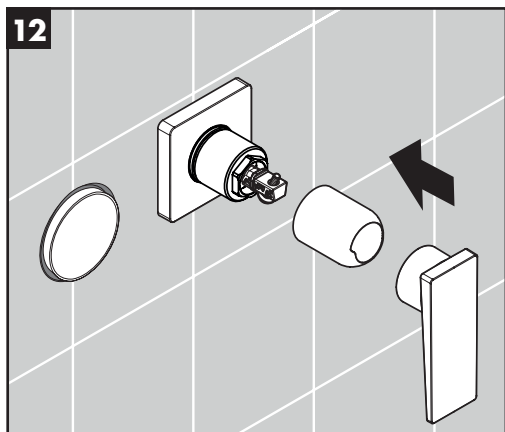
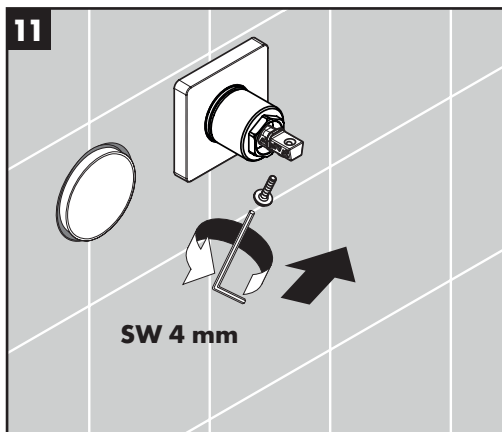
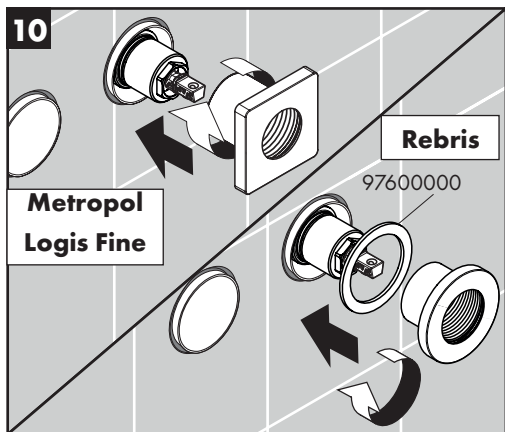


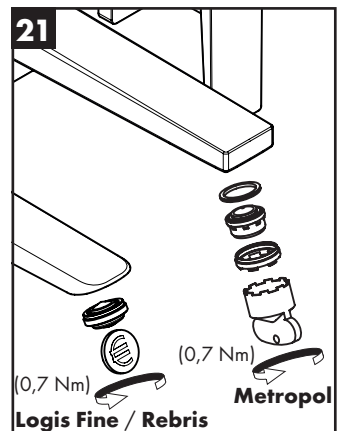
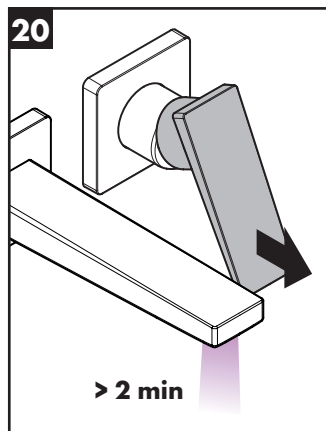
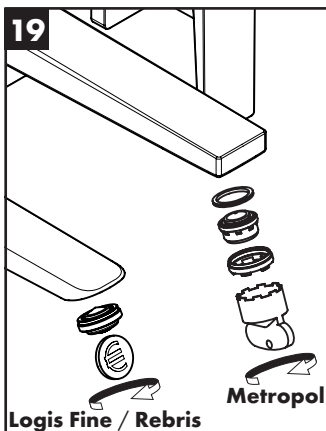
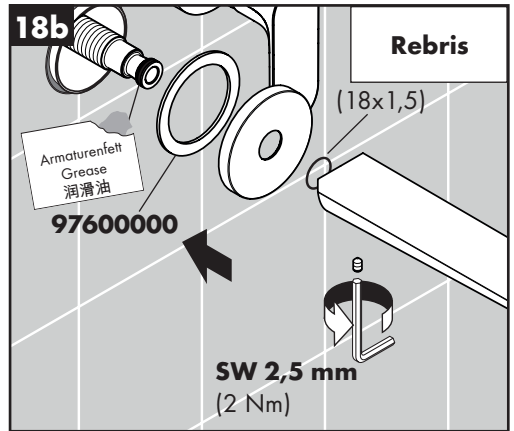
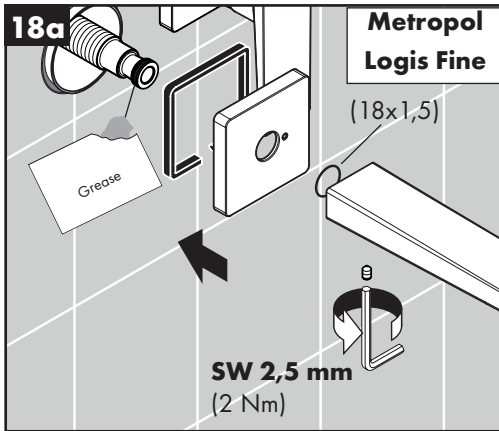
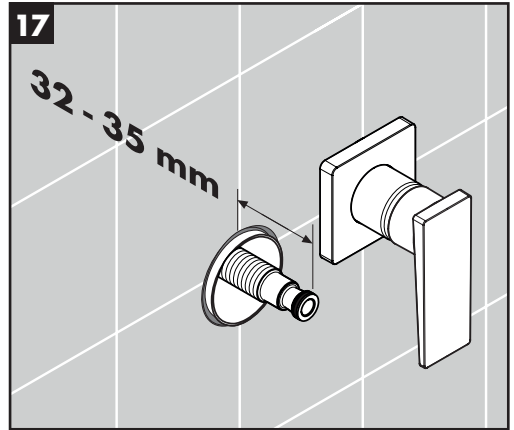
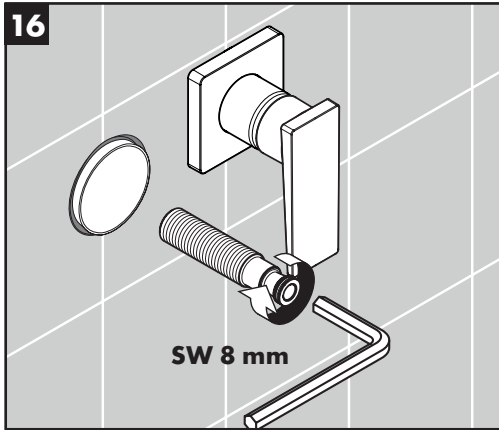
Test certificate (see page 41)

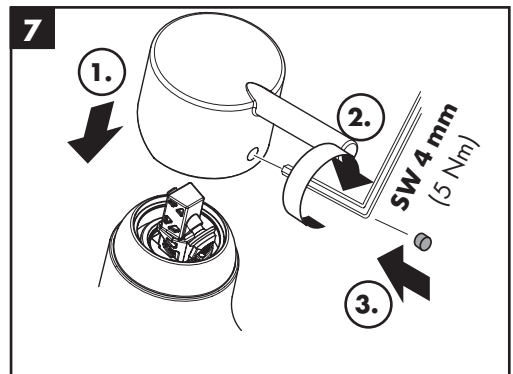
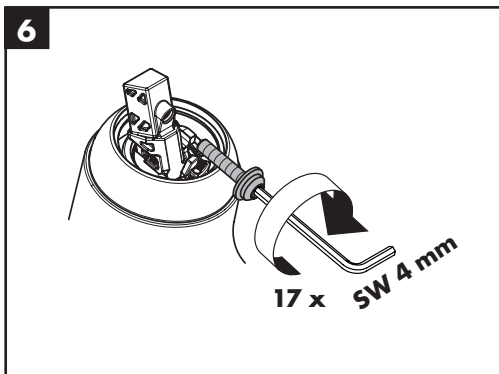
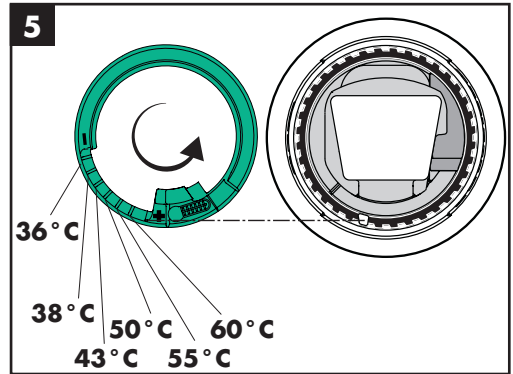
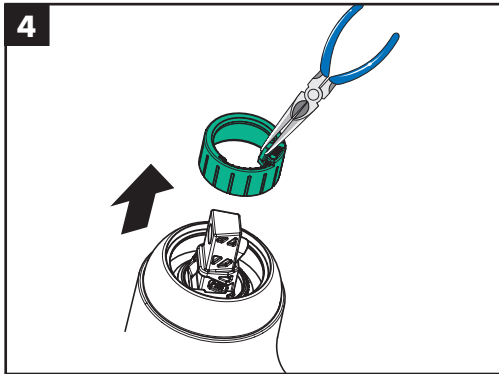
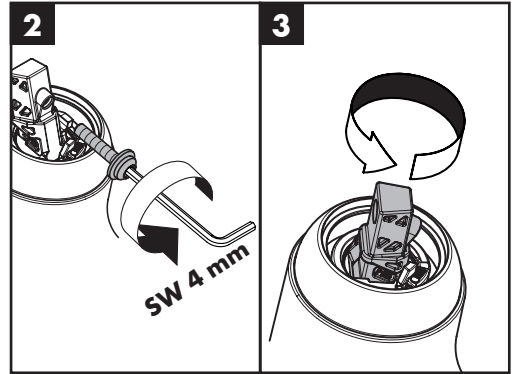
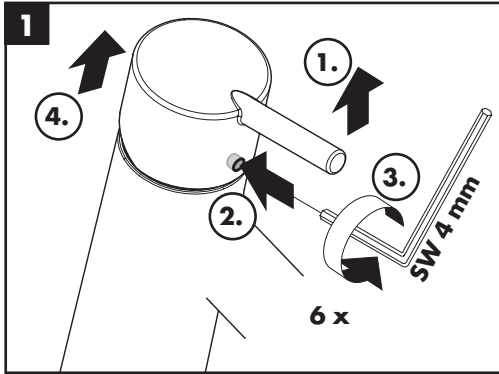








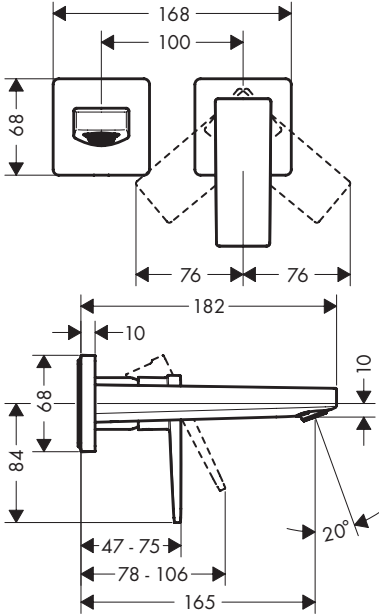






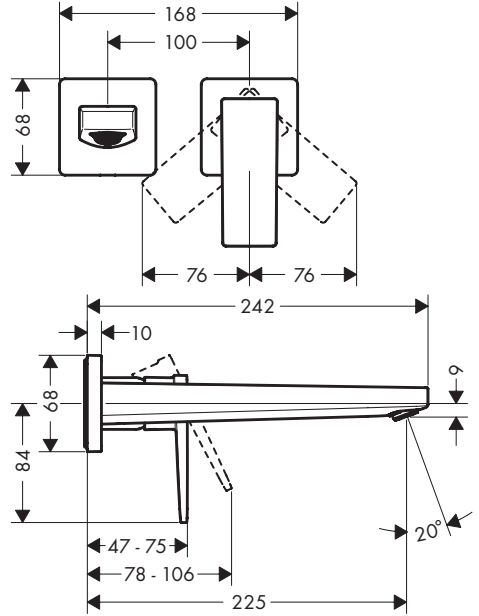
Metropol

32525000 / 74525000

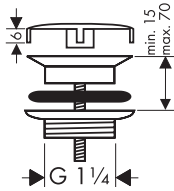


Metropol

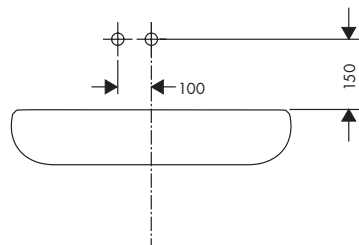
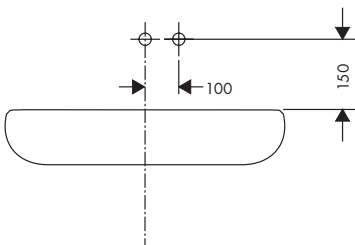
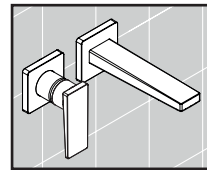
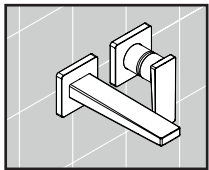
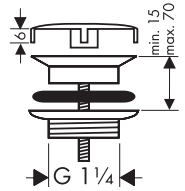
32526XXX / 74526000



50001000

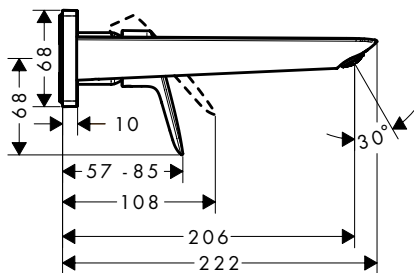
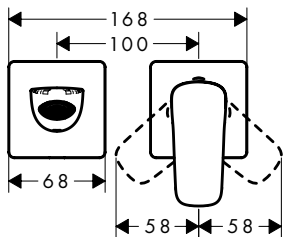


50001XXX

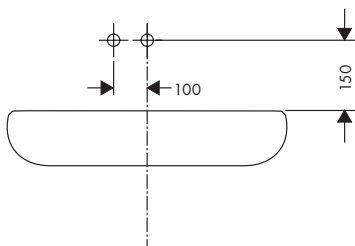
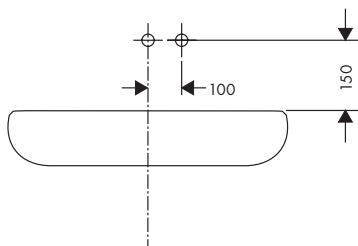
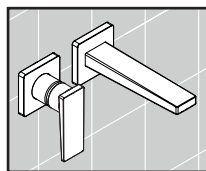
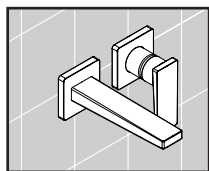
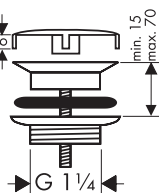




Logis Fine
71256000

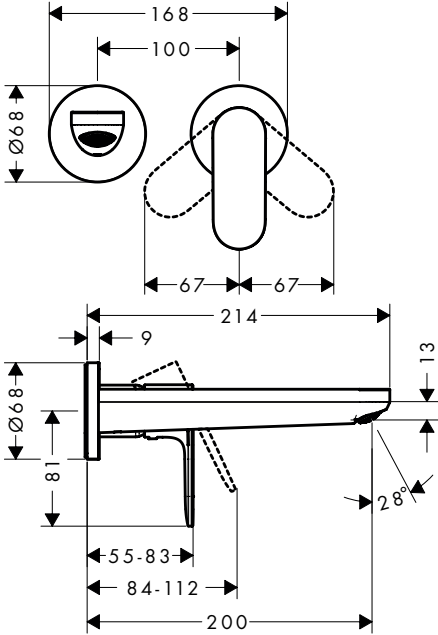


50001000

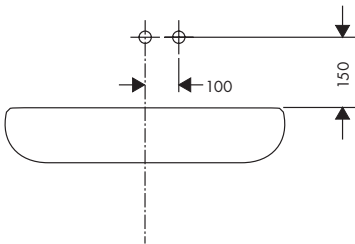
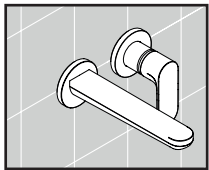
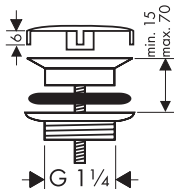




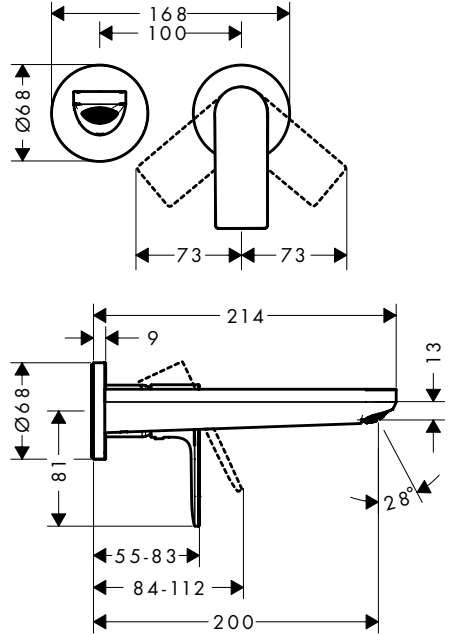
Rebris S
72528XXX



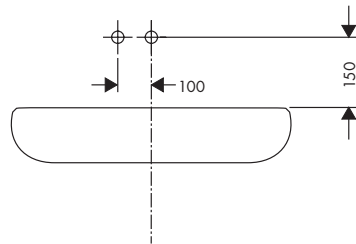
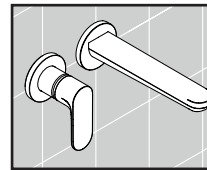
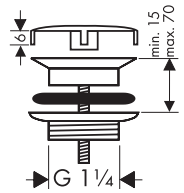
50001000



Rebris E
72568XXX

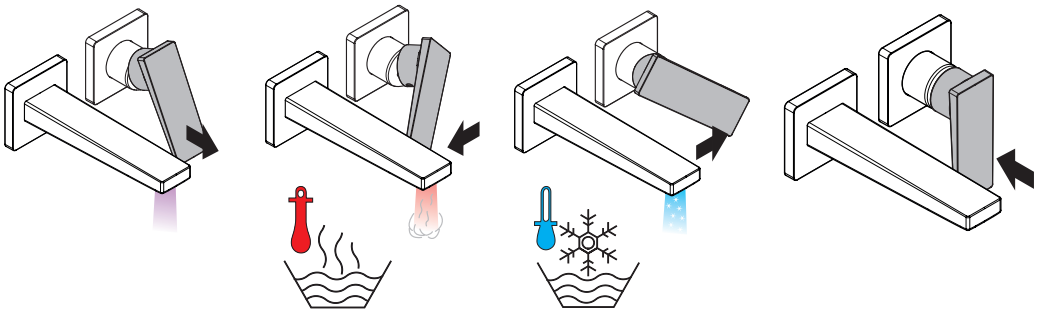
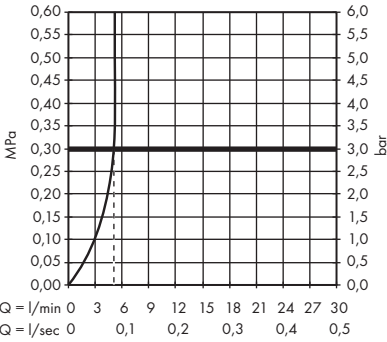


50001XXX

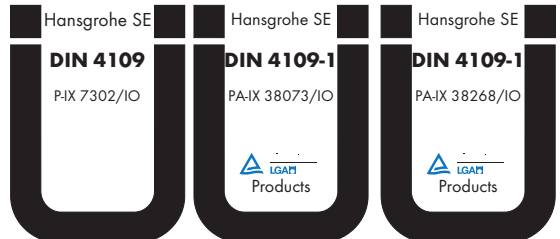




**Metropol 32525000 / 32526XXX / 74525000 / 74526000 / Logis Fine 71256000 /
Rebris S 72528XXX / Rebris E 72568XXX**



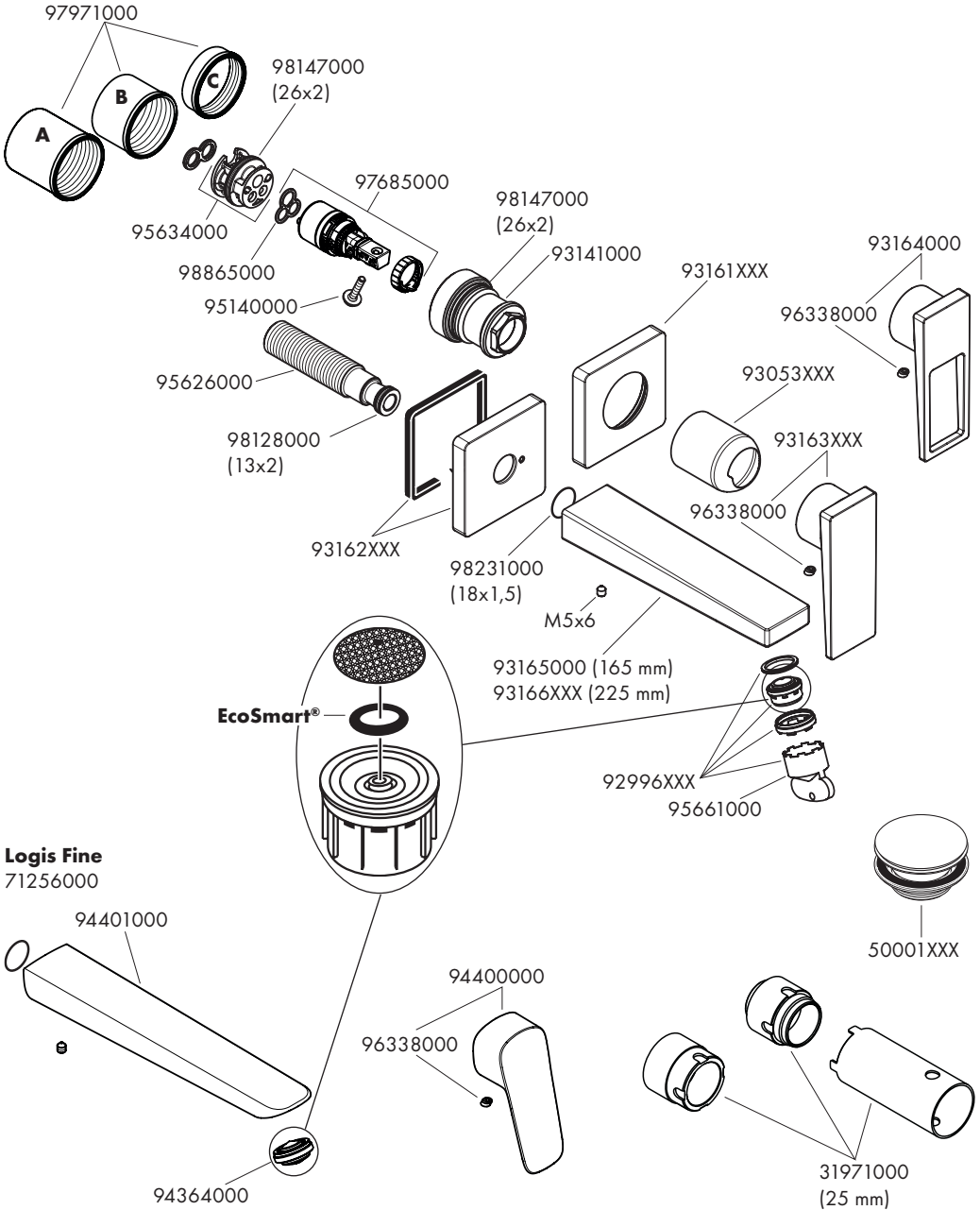
	P-IX	DVGW	CERTIFICATION SE KIWA	TT
32525000	P-IX 7302/IO	CS0564	X	X
32526XXX	P-IX 7302/IO	CS0564	X	X
71256000	PA-IX 38073/IO	DM0697	X	X
74525000	P-IX 7302/IO	CS0564	X	X
74526000	P-IX 7302/IO	CS0564	X	X
72528XXX	PA-IX 38268/IO			
72568XXX	PA-IX 38268/IO			



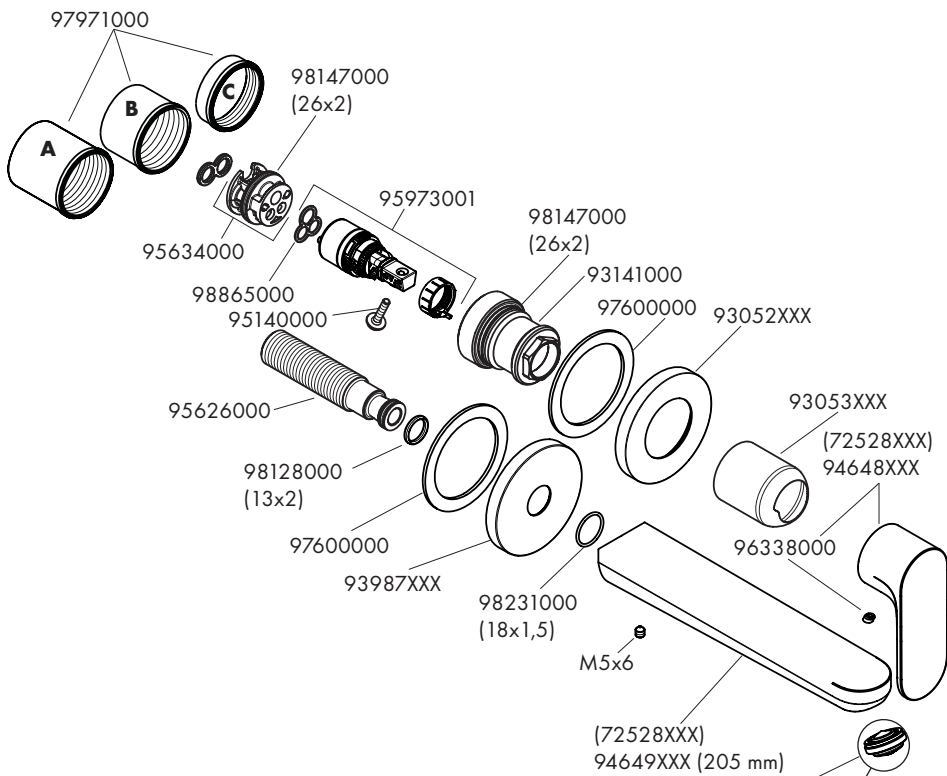


Metropol

32525000 / 32526XXX / 74525000 / 74526000



Rebris S
72528XXX



Rebris E
72568XXX

