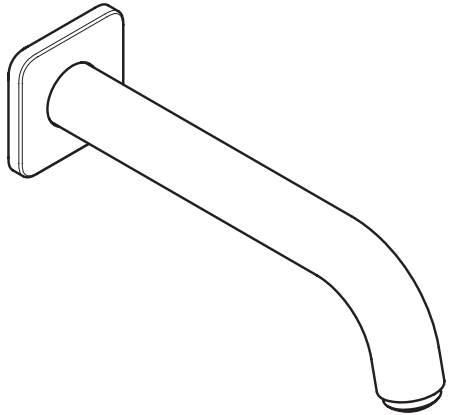
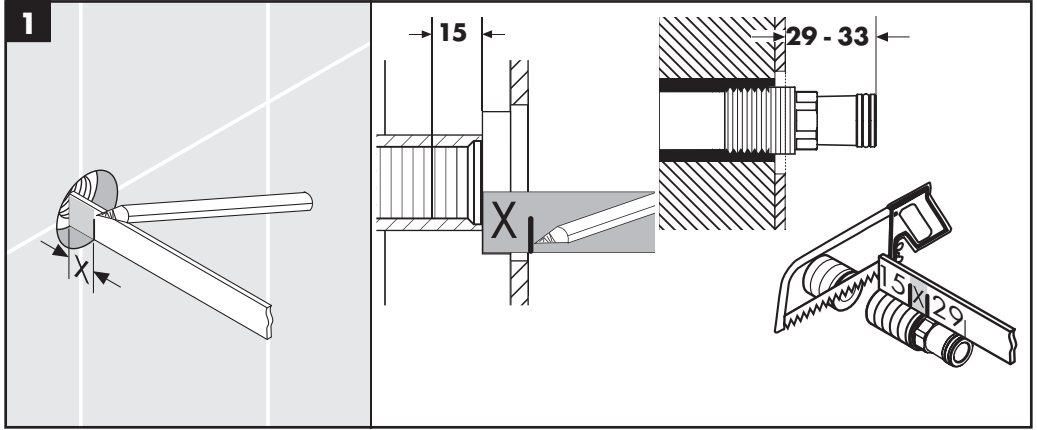


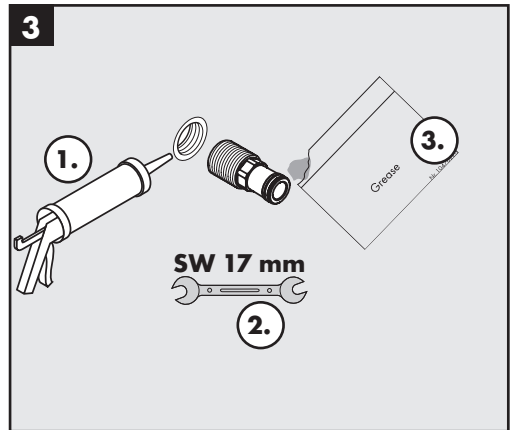
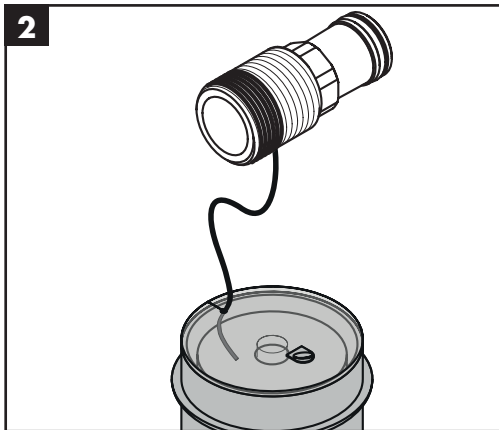
Vernis Blend
71420XXX

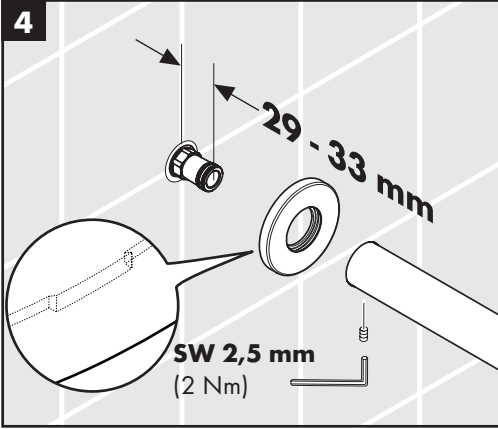


Vernis Shape
71460XXX



Silicone (free from acetic acid!)

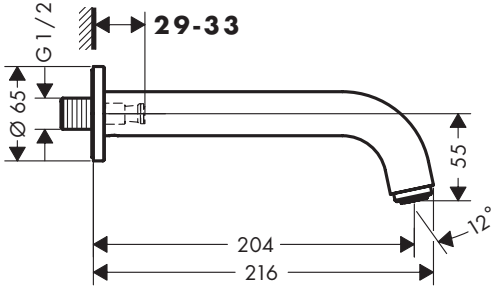






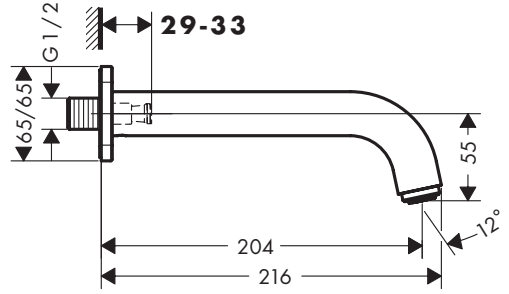
Vernis Blend

71420XXX



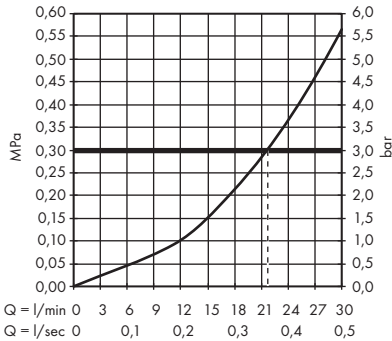
Vernis Shape

71460XXX



Vernis Blend 71420XXX

Vernis Shape 71460XXX



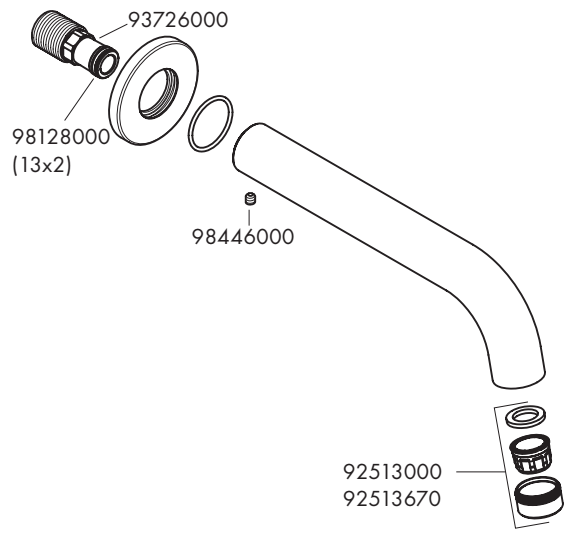
P max. 1,0 MPa = 10 bar



T max. 70 °C



Vernis Blend
71420XXX



Vernis Shape
71460XXX

