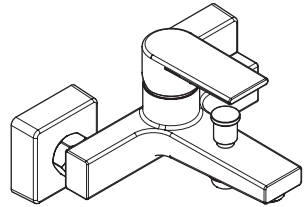


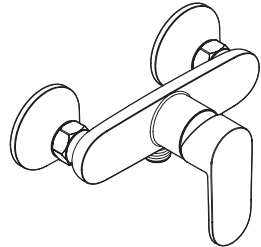
**Vernis Blend**

71440XXX / 71454000 / 71447000



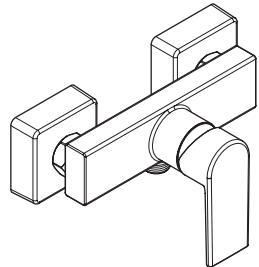
**Vernis Shape**

71450XXX / 71453000 / 71457000



**Vernis Blend**

71640XXX / 71646000 / 71647000



**Vernis Shape**

71650XXX / 71656000 / 71657000



## Safety Notes

- △ Gloves should be worn during installation to prevent crushing and cutting injuries.
- △ The product may only be used for bathing, hygienic and body cleaning purposes.
- △ The hot and cold supplies must be of equal pressures.

## Installation Instructions

- Prior to installation, inspect the product for transport damages. After it has been installed, no transport or surface damage will be honoured.
- The pipes and the fixture must be installed, flushed and tested as per the applicable standards.
- The plumbing codes applicable in the respective countries must be observed.
- The diverter (type HC) installed in the bath mixer is designed as an anti-retraction device. For this reason, the lower edge of the diverter must be at least 25 mm above the highest possible dirty water level.

## Technical Data

Operating pressure:	max. 1 MPa
Recommended operating pressure:	0,1 - 0,5 MPa
Test pressure:	1,6 MPa (1 MPa = 10 bar = 147 PSI)
Hot water temperature:	max. 70 °C
Recommended hot water temp.:	65 °C
Thermal disinfection:	70 °C / 4 min

- Safety against backflow
- The product is exclusively designed for drinking water!

## Symbol description



Do not use silicone containing acetic acid!



## Adjustment (see page 35)

To adjust the hot water limiter. Using a hot water limiter in combination with a continuous flow water heater is not recommended.



## Maintenance (see page 43)

The check valves must be checked regularly according to EN 806-5 in accordance with national or regional regulations (at least once a year).



## Dimensions (see page 37)



## Flow diagram (see page 37)



## Spare parts (see page 38)

XXX = Colors  
 000 = Chrome Plated  
 670 = Matt Black

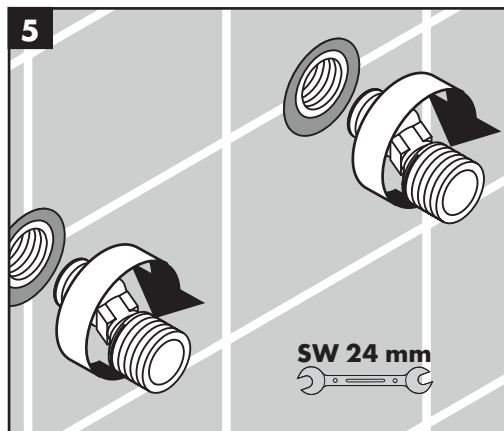
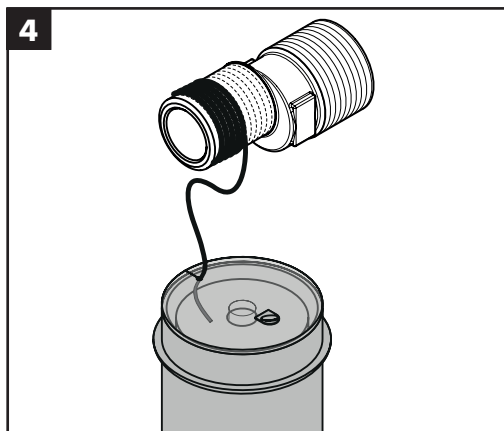
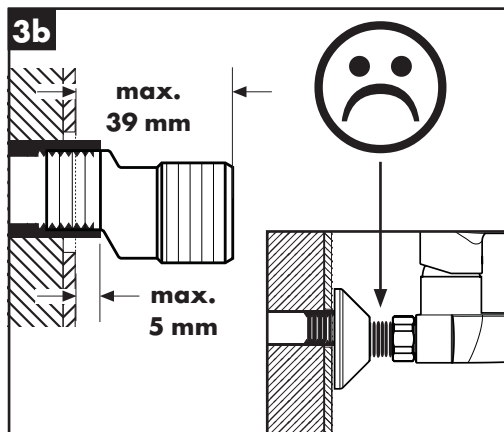
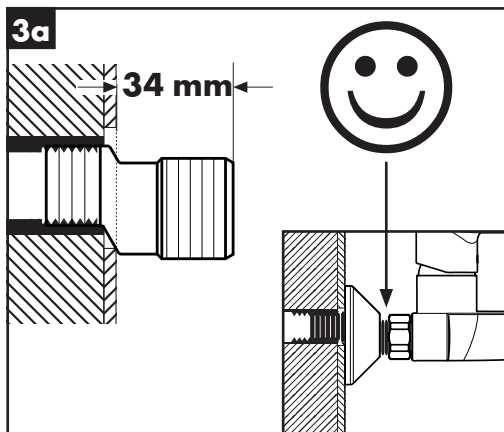
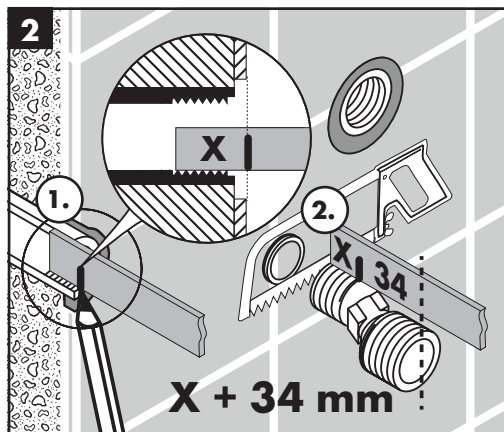
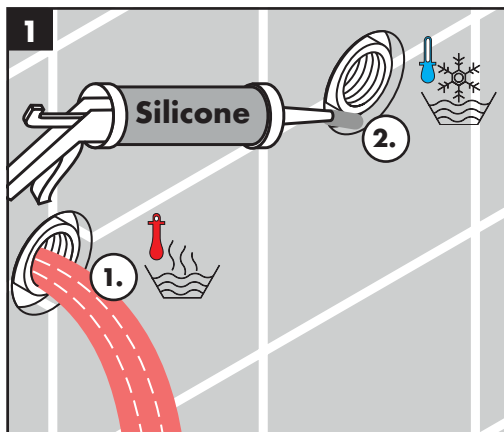


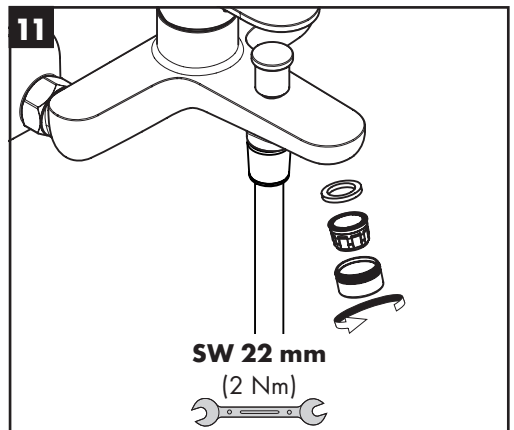
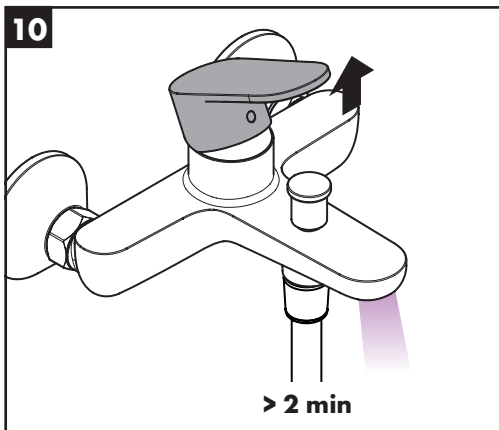
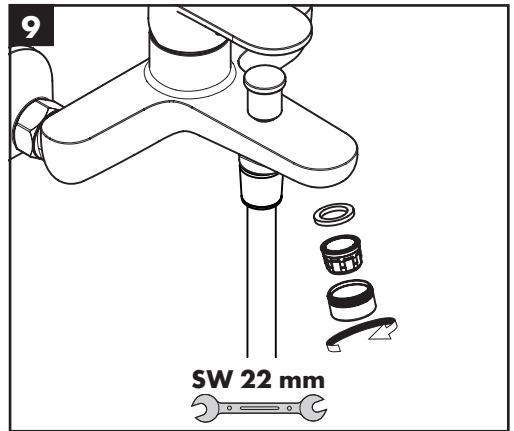
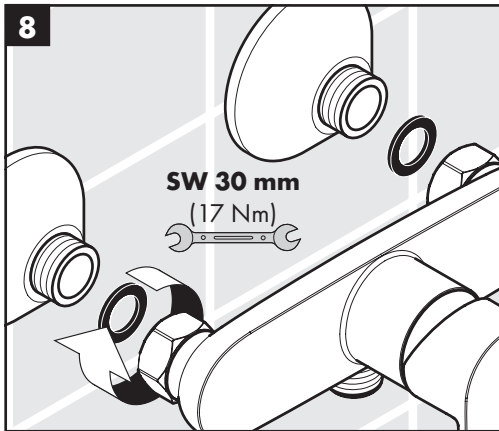
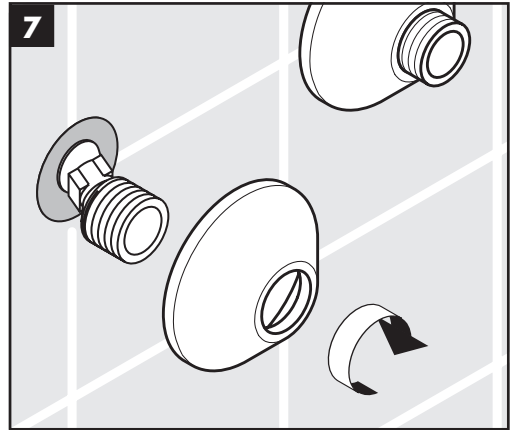
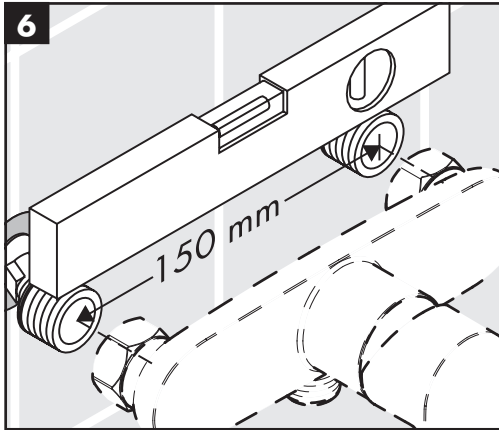
## Cleaning (see page 42)

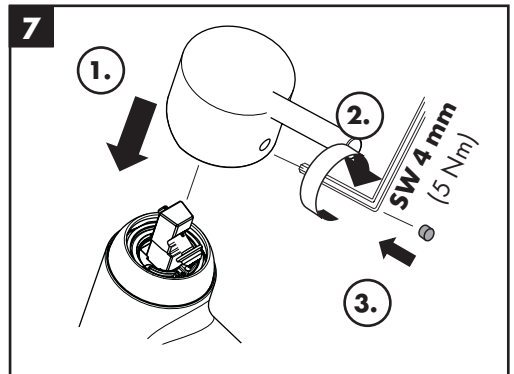
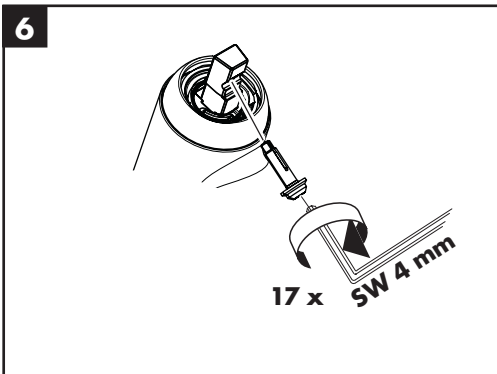
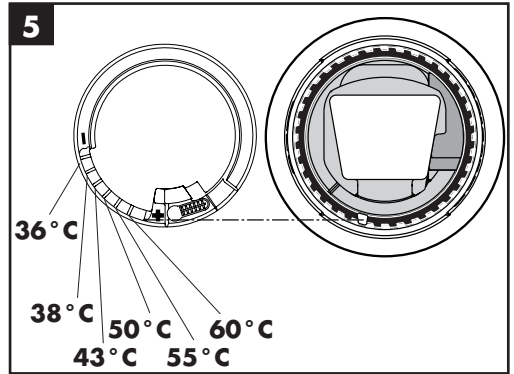
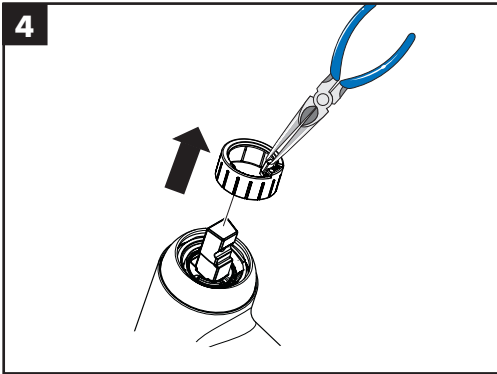
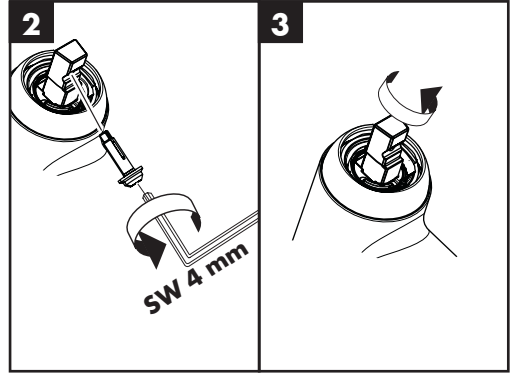
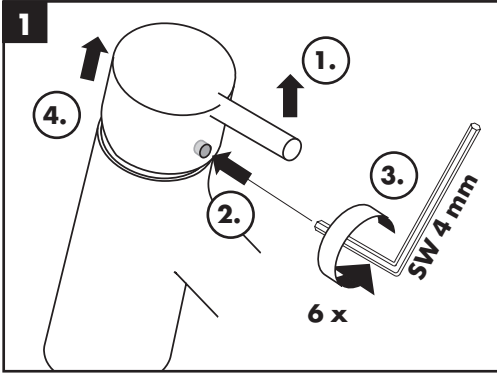


## Operation (see page 40)

Fault	Cause	Remedy
Insufficient water	- check valve hasn't moved back - Shower filter seal dirty	- Exchange check valves - Clean filter seal between shower and hose
Mixer stiff	- Cartridge defective, calcified	- Exchange cartridge
Mixer dripping	- Cartridge defective	- Exchange cartridge
Hot water temperature too low	- Hot water limiter incorrectly set	- Set hot water limiter
Instantaneous heater didn't work	- Flow limiter in handshower isn't removed - Shower filter seal dirty	- Remove flow limiter - Clean filter seal between shower and hose
	- check valve hasn't moved back	- Exchange check valves



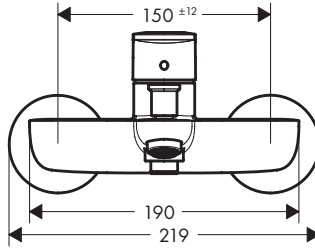
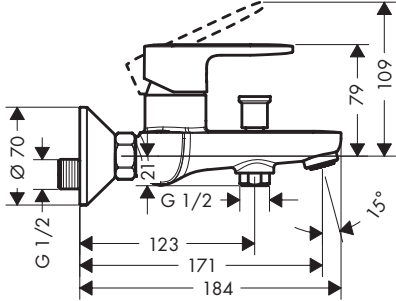






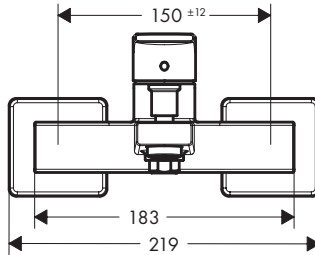
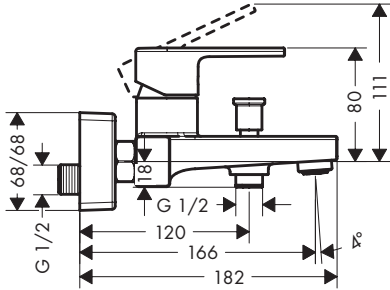
### Vernis Blend

71440XXX / 71454000 / 71447000



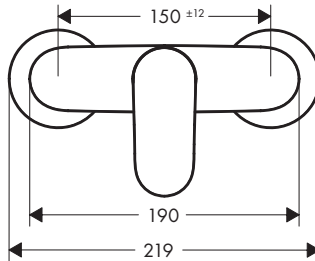
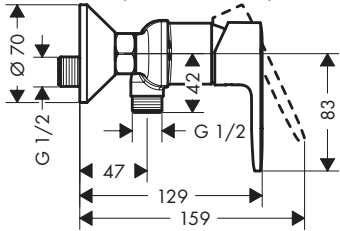
### Vernis Shape

71450XXX / 71453000 / 71457000



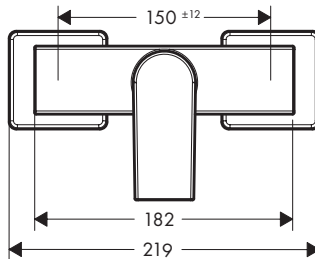
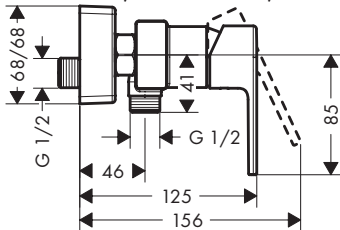
### Vernis Blend

71640XXX / 71646000 / 71647000



### Vernis Shape

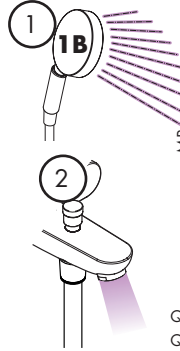
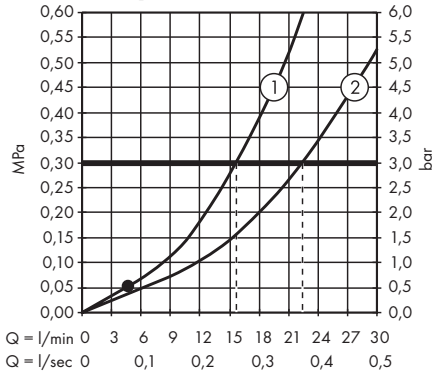
71650XXX / 71656000 / 71657000





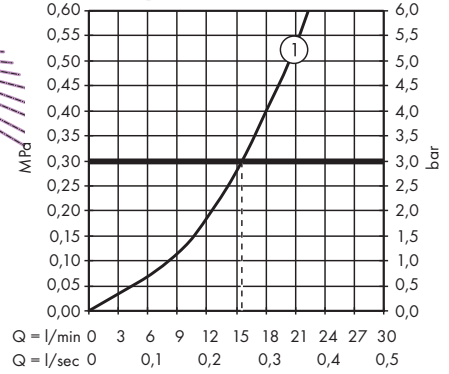
### Vernis Blend 71440XXX / 71447000

### Vernis Shape 71450XXX / 71457000



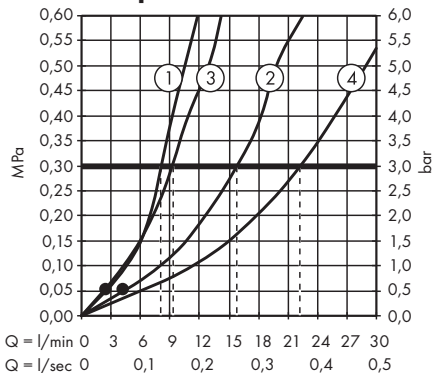
### Vernis Blend 71640XXX / 71647000

### Vernis Shape 71650XXX / 71657000



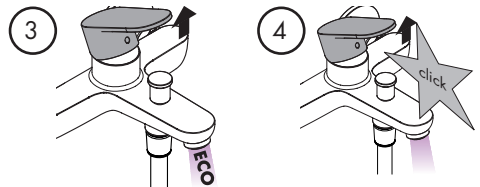
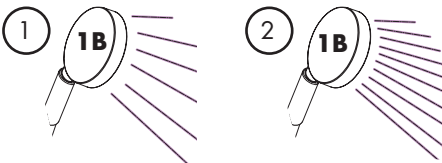
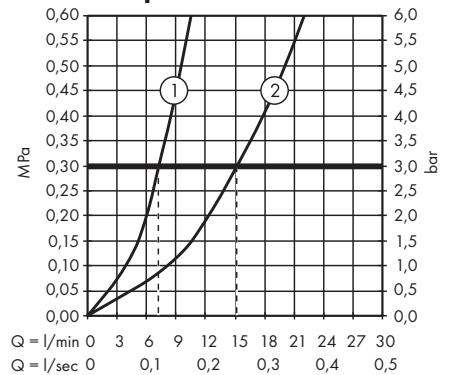
### Vernis Blend 71454000

### Vernis Shape 71453000



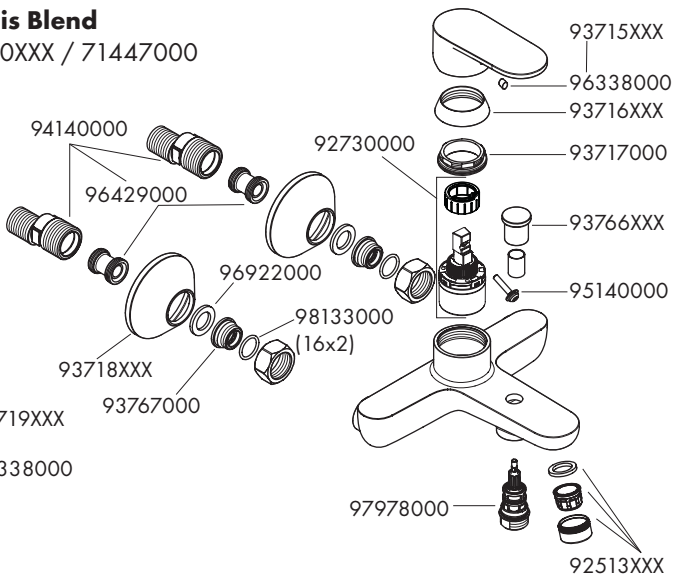
### Vernis Blend 71646000

### Vernis Shape 71656000

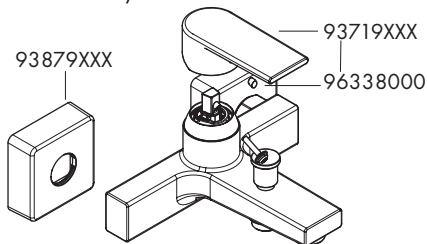




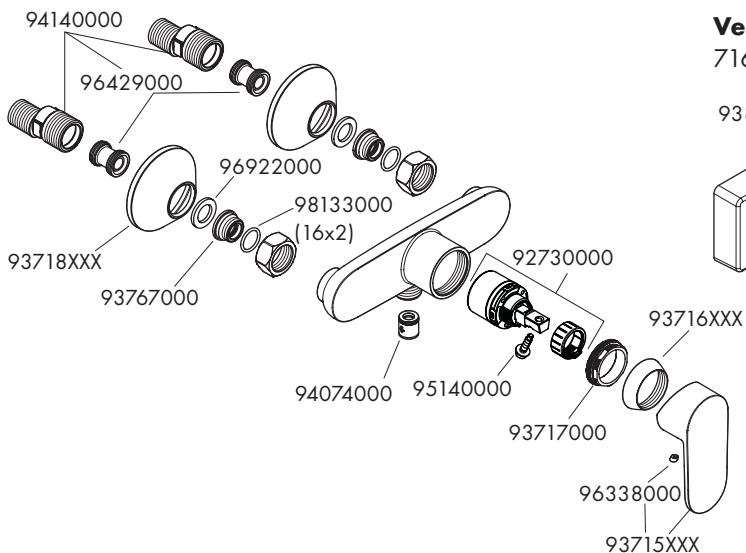
**Vernis Blend**  
71440XXX / 71447000



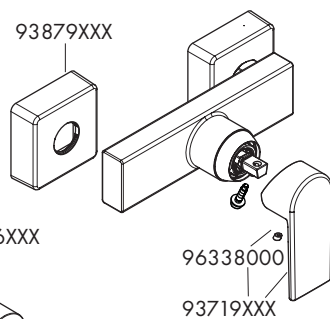
**Vernis Shape**  
71450XXX / 71457000



**Vernis Blend**  
71640XXX / 71647000

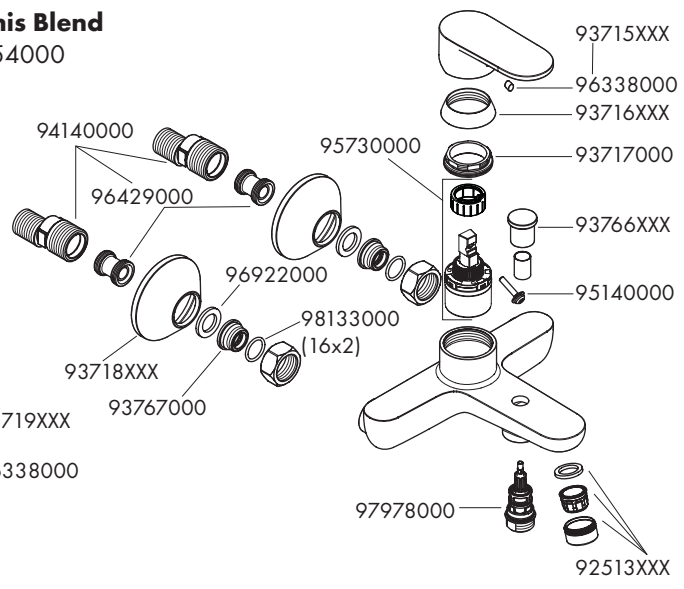


**Vernis Shape**  
71650XXX / 71657000

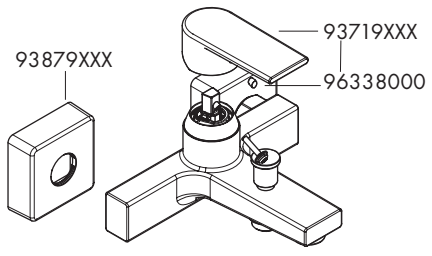




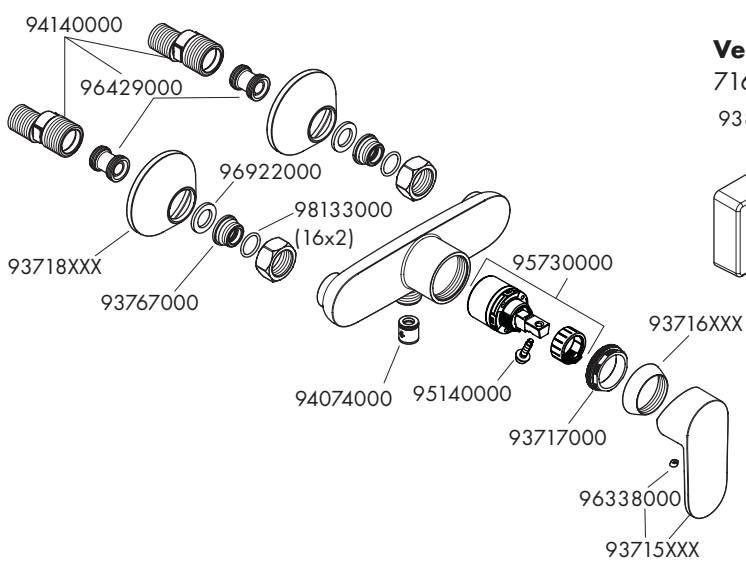
**Vernis Blend**  
71454000



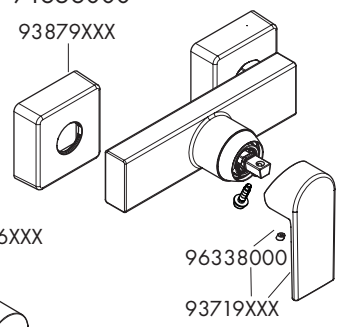
**Vernis Shape**  
71453000



**Vernis Blend**  
71646000



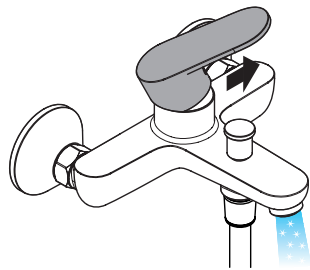
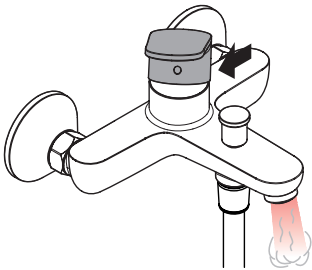
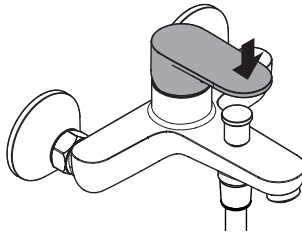
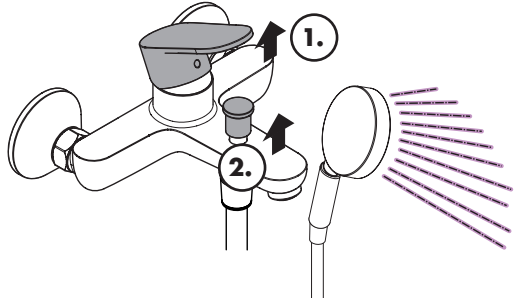
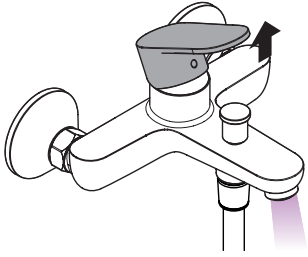
**Vernis Shape**  
71656000





**Vernis Blend** 71440XXX / 71447000 / 71640XXX / 71647000

**Vernis Shape** 71450XXX / 71457000 / 71650XXX / 71657000





**Vernis Blend** 71454000 / 71646000

**Vernis Shape** 71453000 / 71656000

