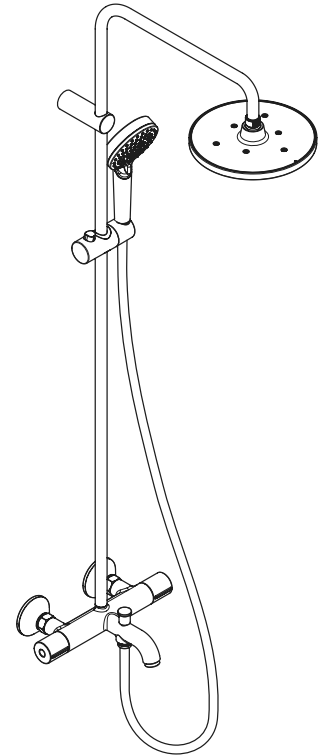


Instructions for use / assembly instructions

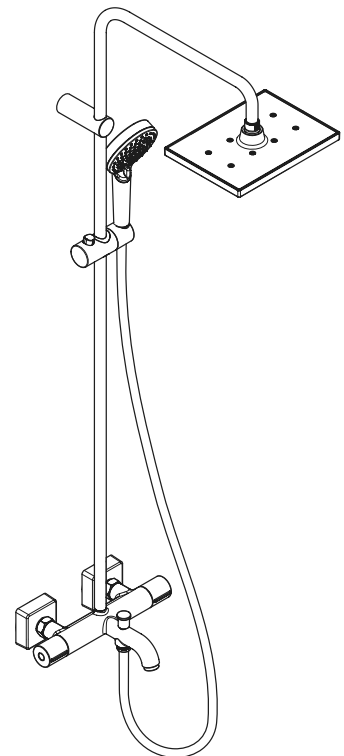


Vernis Blend Showerpipe 200 1jet

26274000

Vernis Blend Showerpipe 200 1jet EcoSmart

26079000



Vernis Shape Showerpipe 230 1jet

26284000

Vernis Shape Showerpipe 230 1jet EcoSmart

26098000



Safety Notes

- △ Gloves should be worn during installation to prevent crushing and cutting injuries.
- △ The product may only be used for bathing, hygienic and body cleaning purposes.
- △ The arm of the shower head is intended only to hold the shower head. Do not load it down with other objects!
- △ Children as well as adults with physical, mental and/or sensoric impairments must not use this product without proper supervision. Persons under the influence of alcohol or drugs are prohibited from using this product.
- △ Do not allow the streams of the shower touch sensitive body parts (such as your eyes). An adequate distance must be kept between the shower and you.
- △ The product may not be used as a holding handle. A separate handle must be installed.
- △ The hot and cold supplies must be of equal pressures.

Installation Instructions

- Prior to installation, inspect the product for transport damages. After it has been installed, no transport or surface damage will be honoured.
- The pipes and the fixture must be installed, flushed and tested as per the applicable standards.
- The plumbing codes applicable in the respective countries must be observed.
- The installation dimensions stated in these installation instructions are ideal for people of approximately 1800 mm in body height. The dimensions can be altered if required. In this case, pay attention to the fact that a change of installation height will also change the minimum height, and that the altered mounting dimensions must be taken into consideration.
- During installation of the product by qualified trained personnel, make sure that the entire fastening surface is even and smooth (no protruding seams or tile offset), that the finish of the wall is suitable to apply the product and has no weak points.
- The premounted filter insert must be used to ensure a normal flow of the shower and to prevent dirt from entering through the pipes. Dirt entering can affect the function and/or lead to damages to the shower. Hansgrohe will not be held liable for this type of damage.
- The product is not designed to be used with steam baths!
- If the continuous water heater causes any problems, or you have different water pressures you must install a water limiter to the cold supply, (ordered separately, article number 97510000).

Technical Data

Operating pressure:	max. 1 MPa
Recommended operating pressure:	0,1 - 0,5 MPa
Test pressure:	1,6 MPa
	(1 MPa = 10 bar = 147 PSI)
Hot water temperature:	max. 60 °C
Centre distance:	150±12 mm
Connections G 1/2:	cold right - hot left

- Safety against backflow
- The product is exclusively designed for drinking water!

Symbol description

Do not use silicone containing acetic acid!

Fault	Cause	Remedy
Insufficient water	- Supply pressure inadequate	- Check water pressure (If a pump has been installed check to see if the pump is working).
	- Regulator filter dirty	- Clean filter in front of the mixer and on the MTC-thermo cartridge
	- Shower filter seal dirty	- Clean filter seal between shower and hose
Crossflow, hot water being forced into cold water pipe, or vice versa, when mixer is closed	- Backflow preventers dirty or leaking	- Clean backflow preventers, exchange if necessary
Spout temperature does not correspond with temperature set	- Thermostat has not been adjusted	- Adjust thermostat
Temperature regulation not possible	- Hot water temperature too low	- Increase hot water temperature to 42 °C to 60 °C
Instantaneous heater didn't work with thermostat	- Thermo cartridge calcified	- Exchange thermo cartridge
	- Filters are dirty	- Clean the filter / exchange filter
	- check valve hasn't moved back	- Exchange check valves
	- Flow limiter in handshower isn't removed	- Remove flow limiter

Adjustment (see page 33)

After the installation, the output temperature of the thermostat must be checked. A correction is necessary if the temperature measured at the output differs from the temperature set on the thermostat.

max. ≈ 42 °C Safety Function (see page 34)

The desired maximum temperature for example max. 42 °C can be pre-set thanks to the safety function.

70 °C Thermal disinfection (see page 34)

Thermal disinfection pursuant to process sheet DVGW W 551 (≥ 70 °C / > 3 min) must only be carried out by qualified personnel.

Maintenance (see page 39)

- The check valves must be checked regularly according to EN 806-5 in accordance with national or regional regulations (at least once a year).
- To guarantee the smooth running of the thermostat, it is necessary from time to time to turn the thermostat from total hot to total cold.

Dimensions (see page 35)

Flow diagram (see page 35)

- ① Overhead shower
- ② Hand shower
- ③ Bath Spout

Spare parts (see page 40)

Special accessories (see page 40)

order as an extra

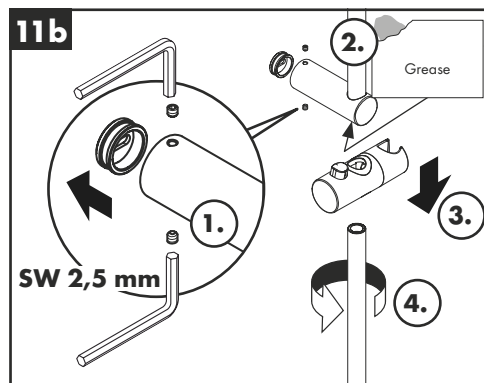
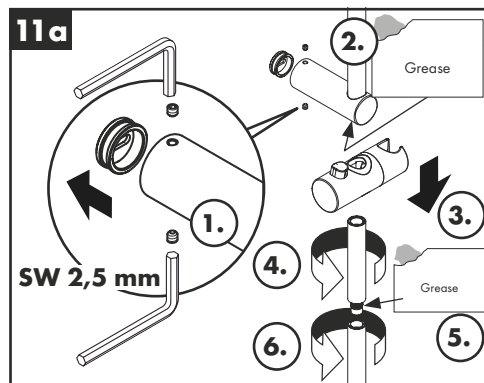
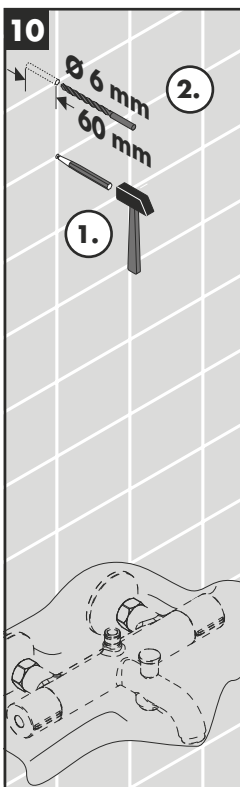
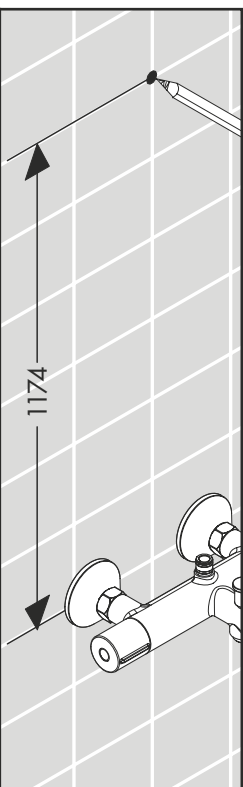
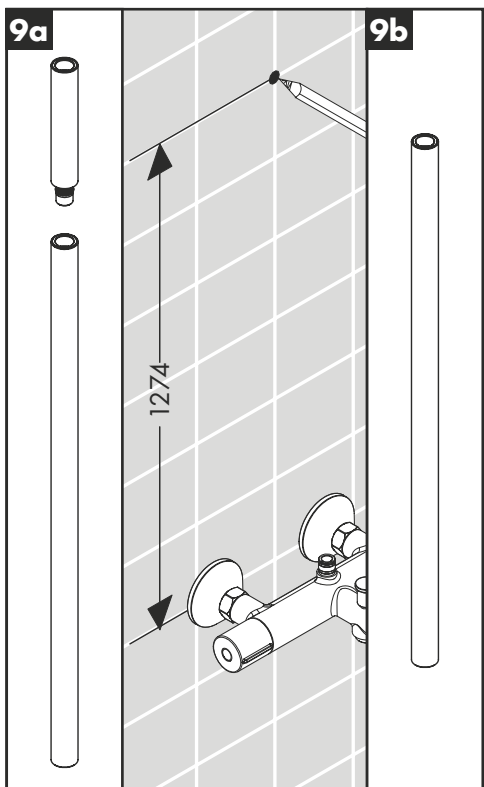
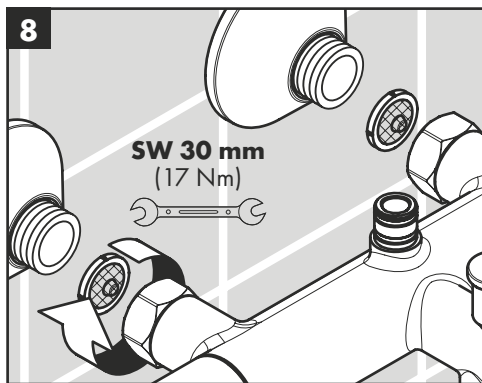
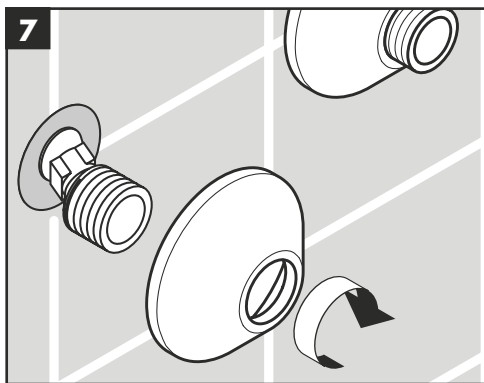
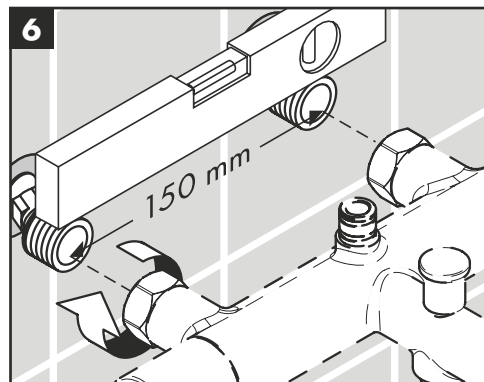
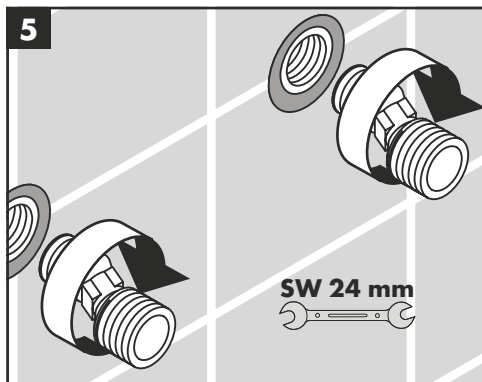
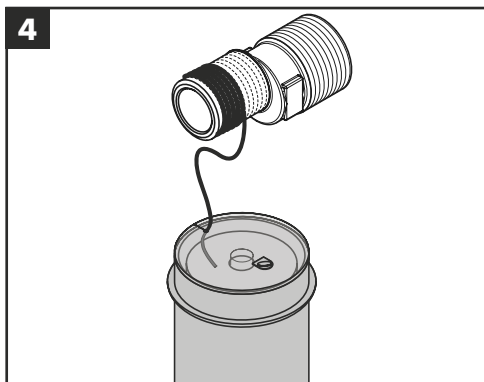
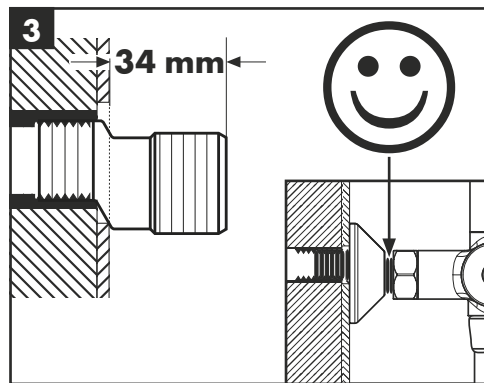
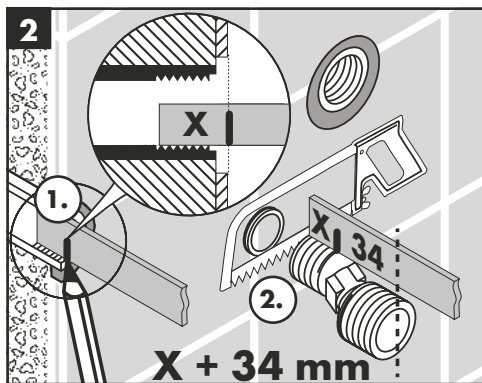
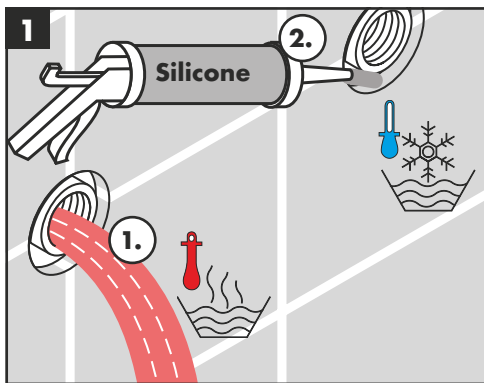
- tile-matching-disk #93813000
- pipe 845 mm #93906000
- pipe 945 mm #93770000

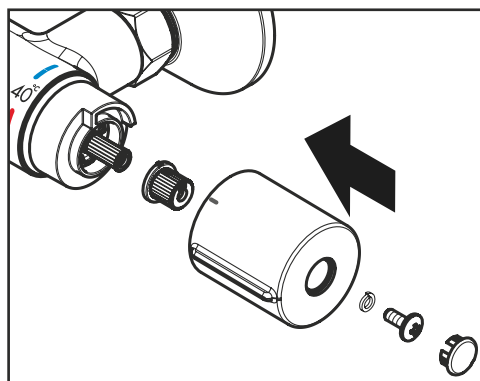
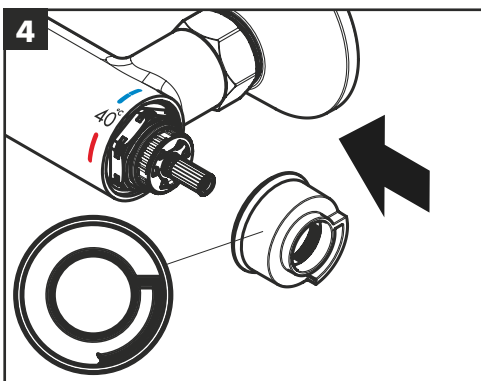
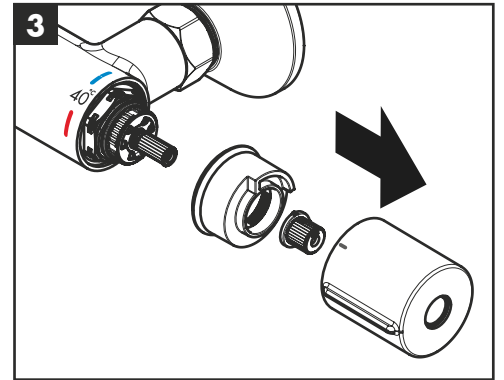
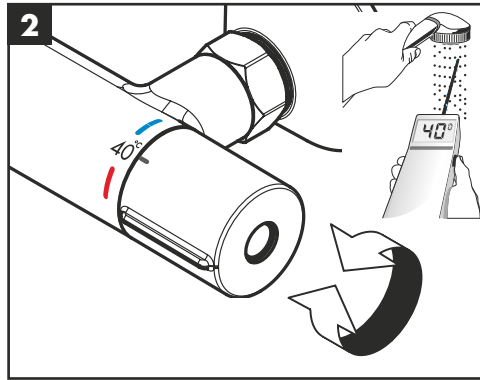
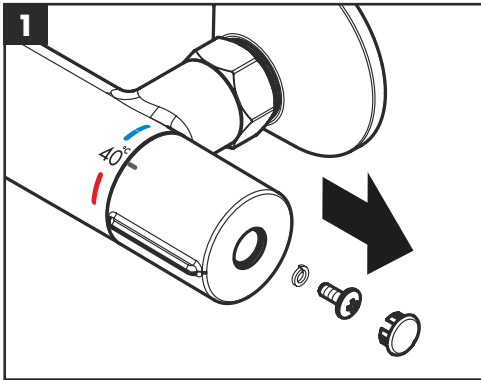
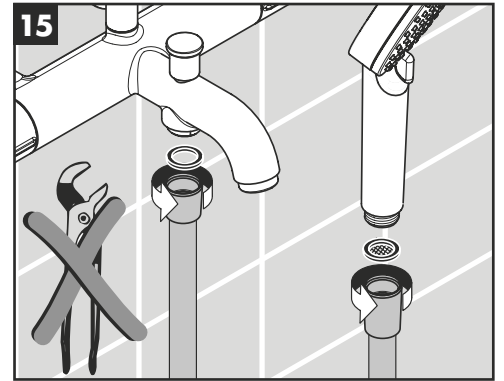
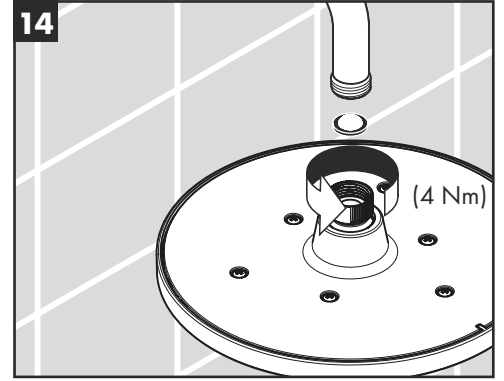
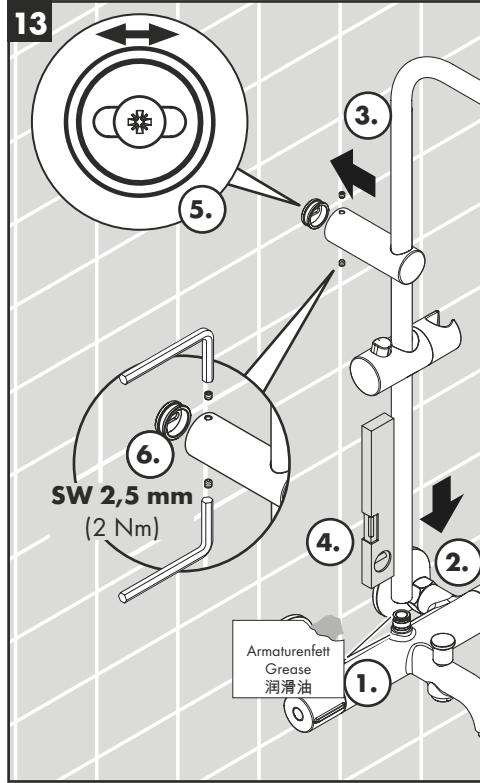
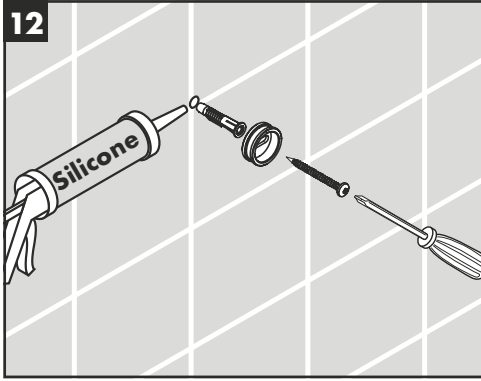
Cleaning (see page 36)

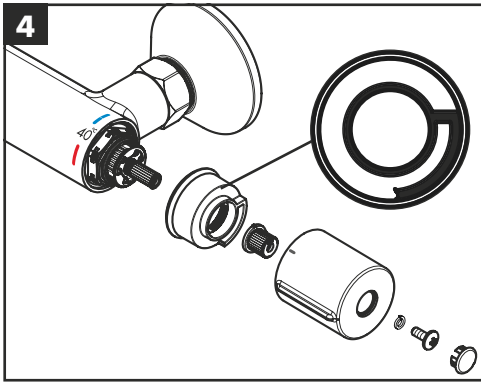
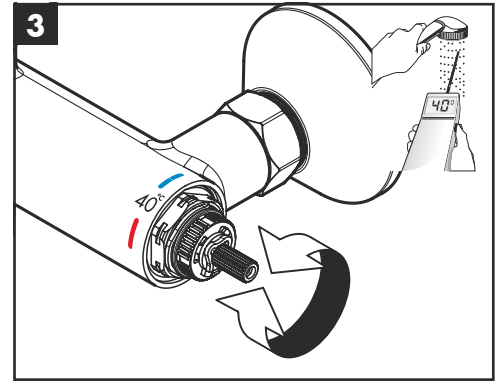
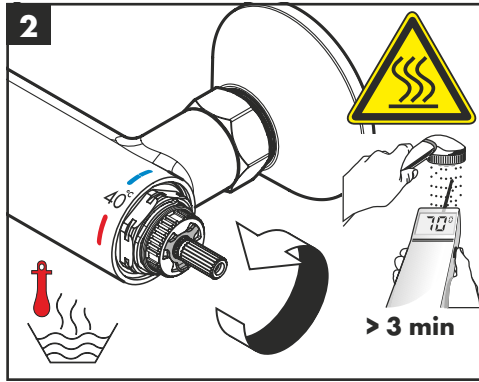
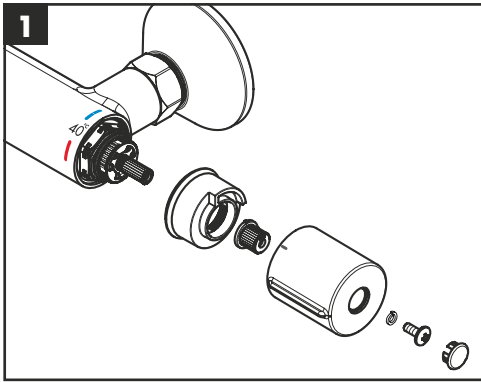
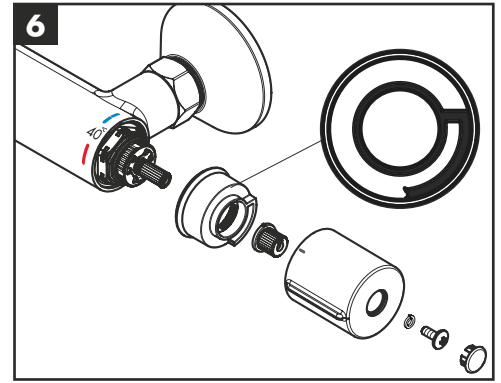
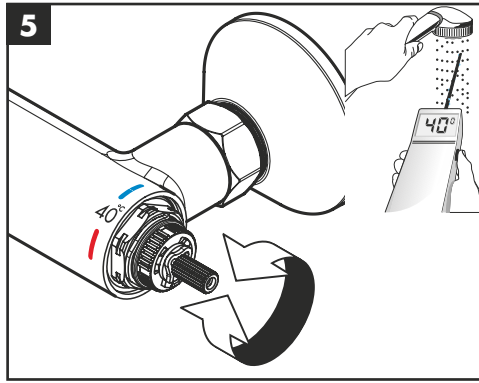
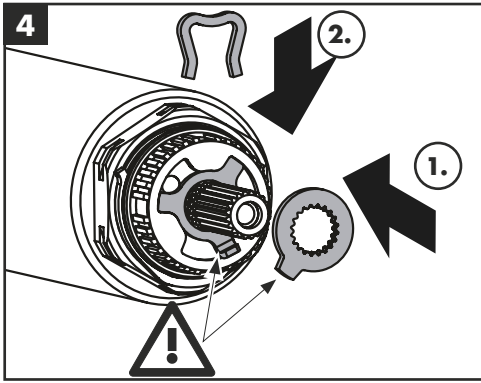
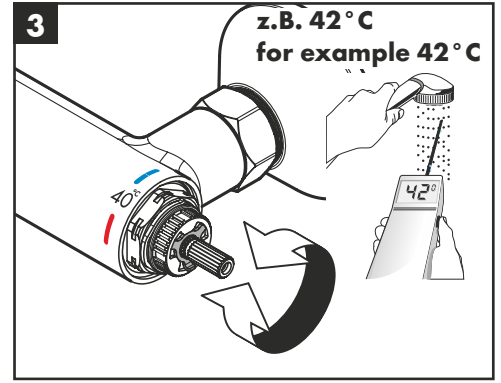
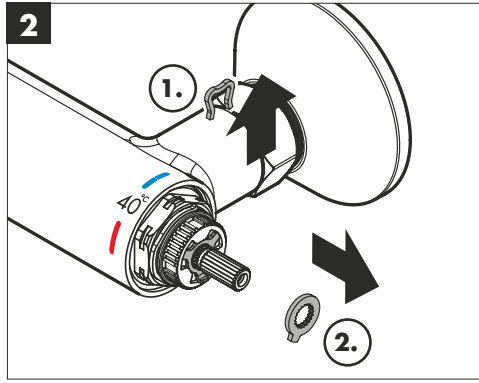
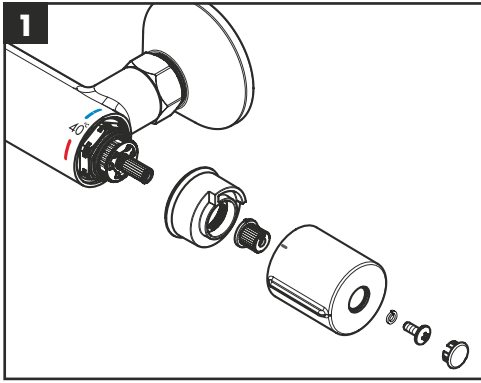
Operation (see page 38)

To empty the overhead shower after use, hold it in a slightly inclined position.

Test certificate (see page 40)





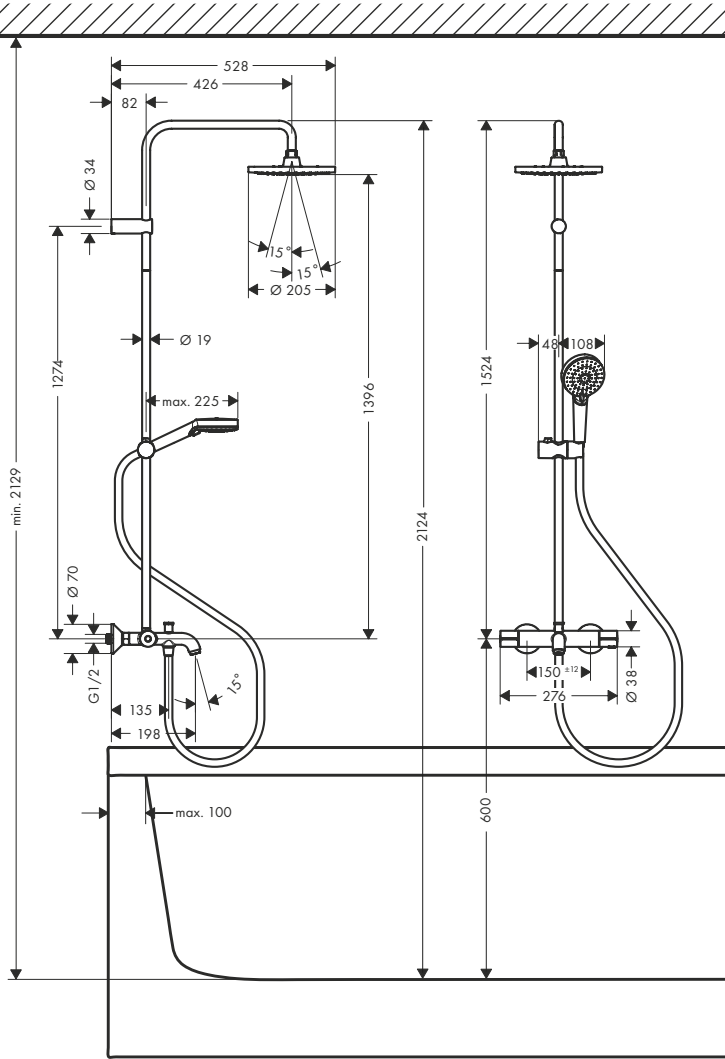


Vernis Blend Showerpipe 200 1jet

26274000

Vernis Blend Showerpipe 200 1jet EcoSmart

26079000

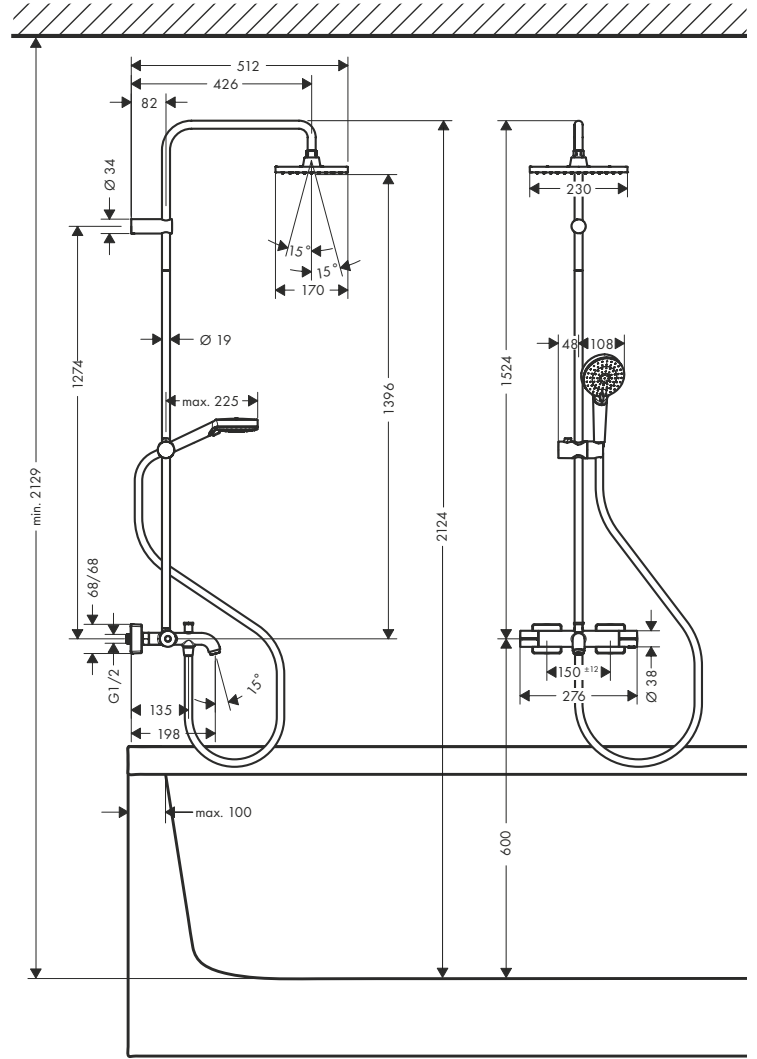


Vernis Shape Showerpipe 230 1jet

26284000

Vernis Shape Showerpipe 230 1jet EcoSmart

26098000

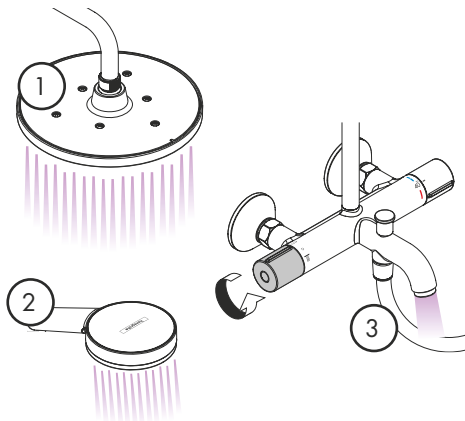
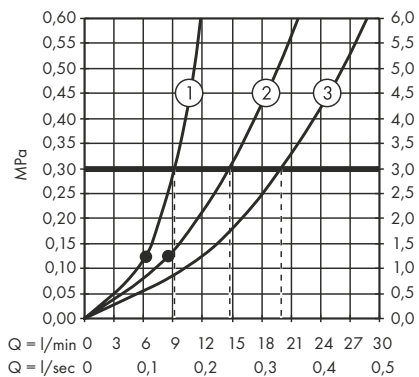


Vernis Blend Showerpipe 200 1jet

26274000

Vernis Shape Showerpipe 230 1jet

26284000

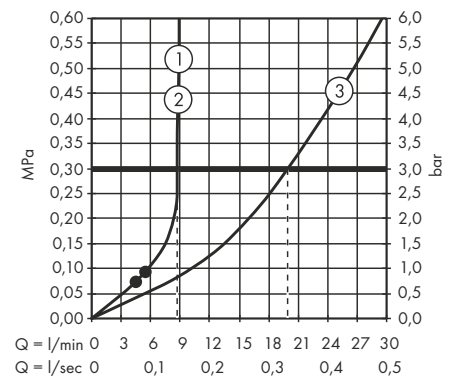


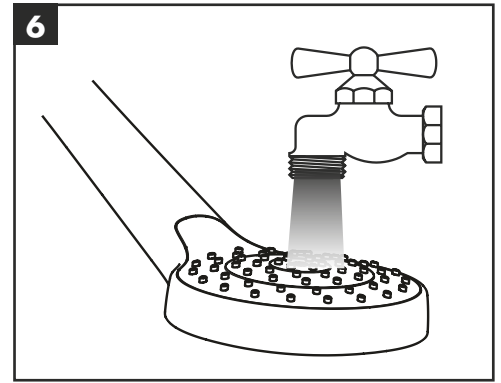
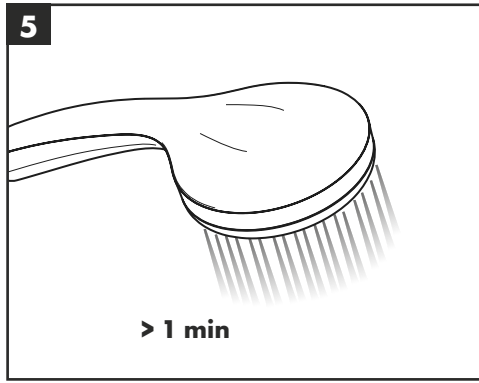
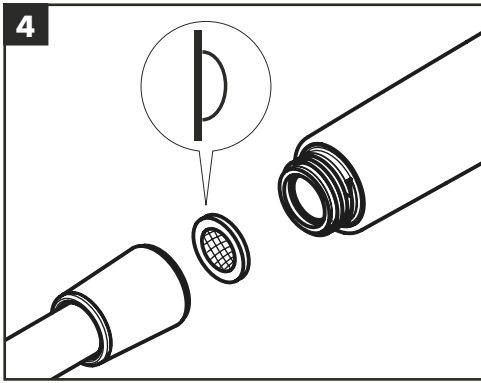
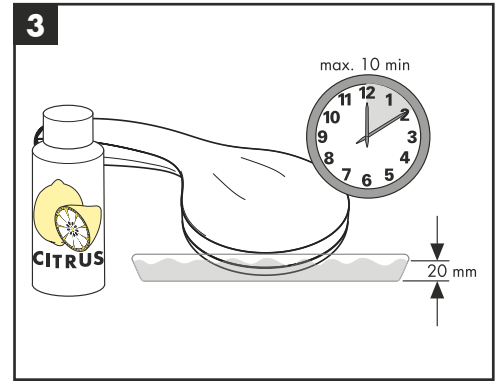
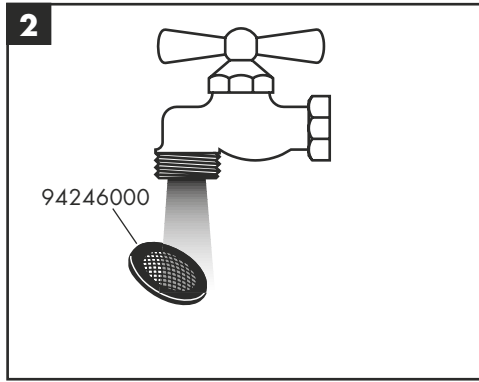
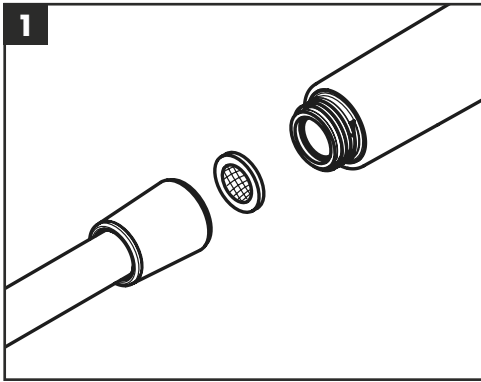
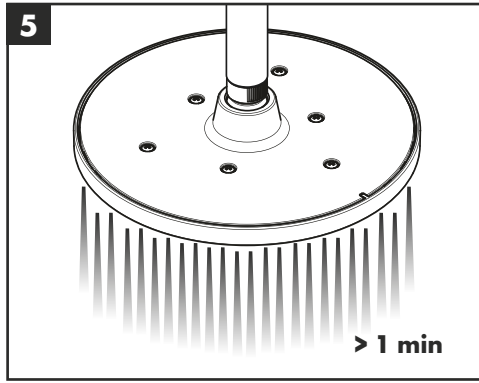
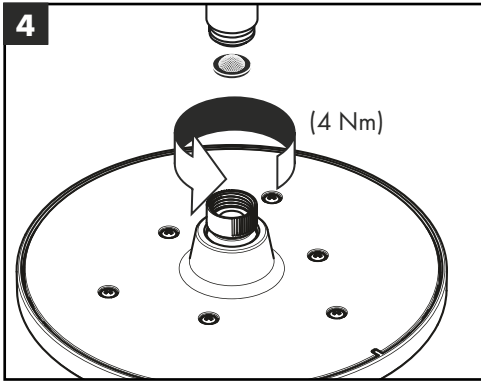
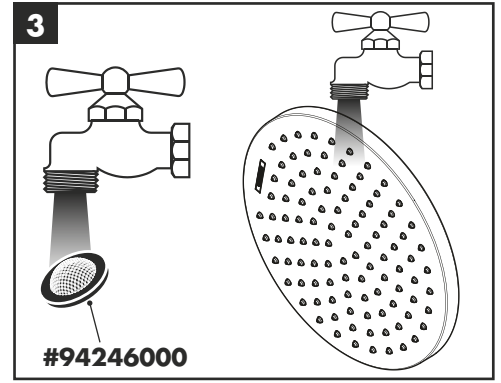
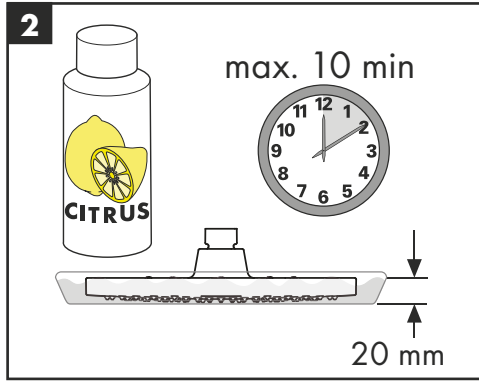
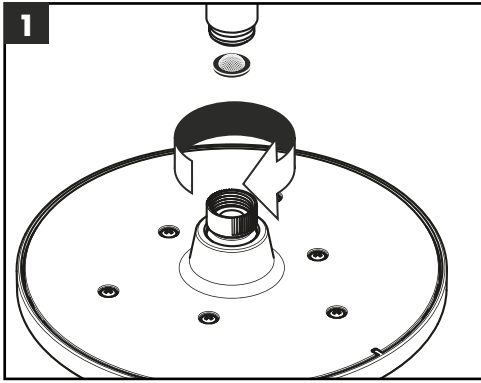
Vernis Blend Showerpipe 200 1jet EcoSmart

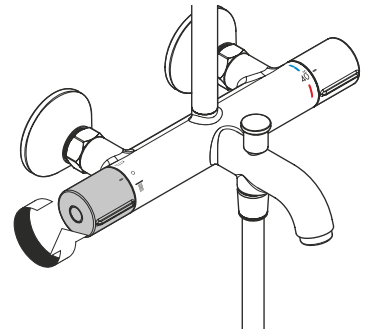
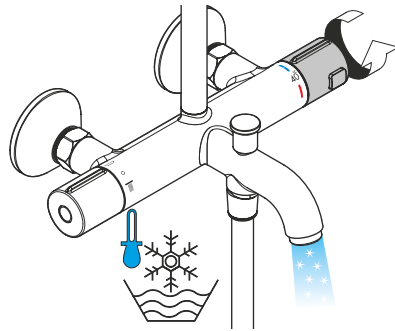
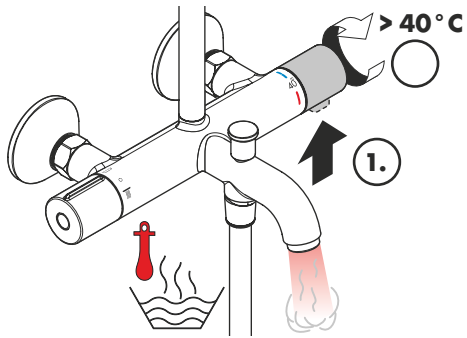
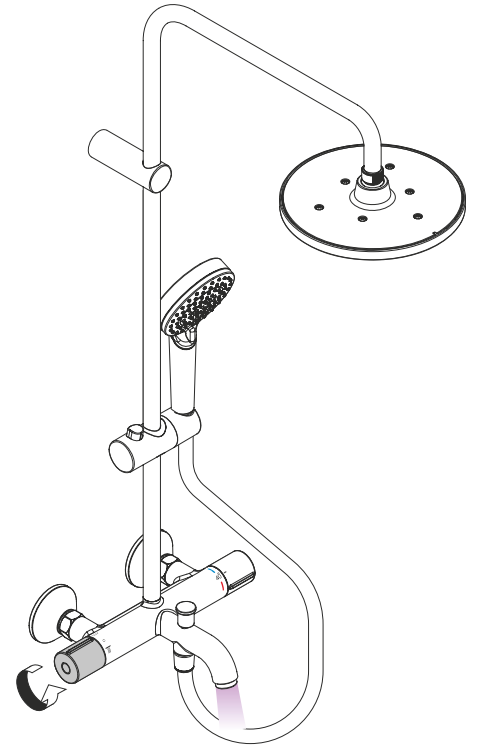
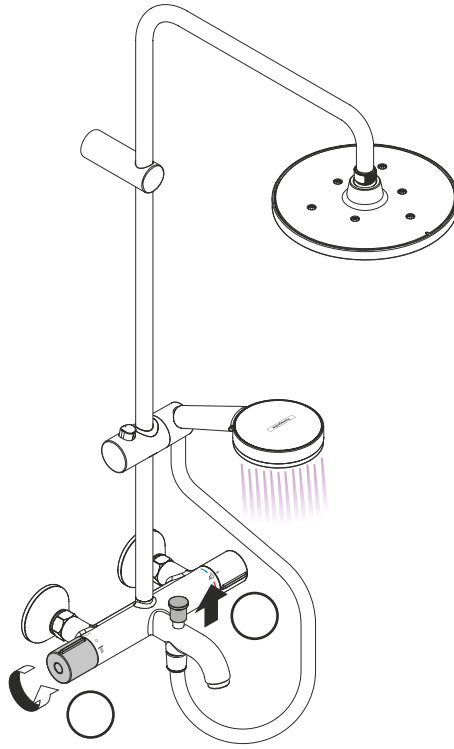
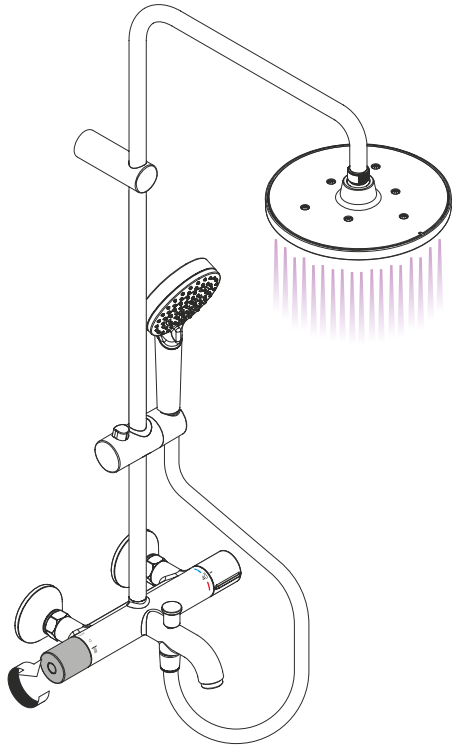
26079000

Vernis Shape Showerpipe 230 1jet EcoSmart

26098000

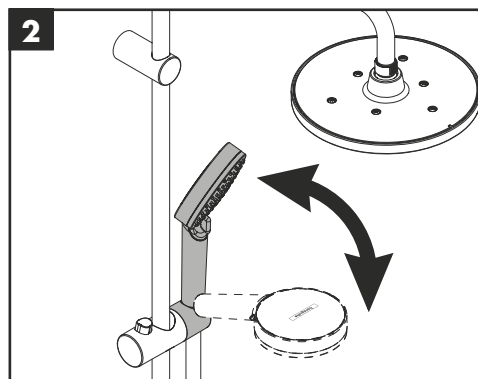
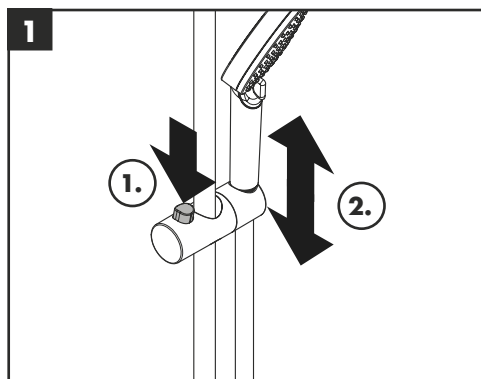
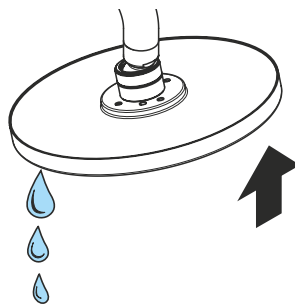
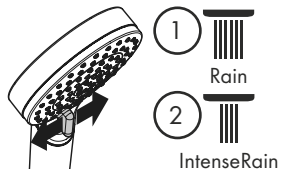


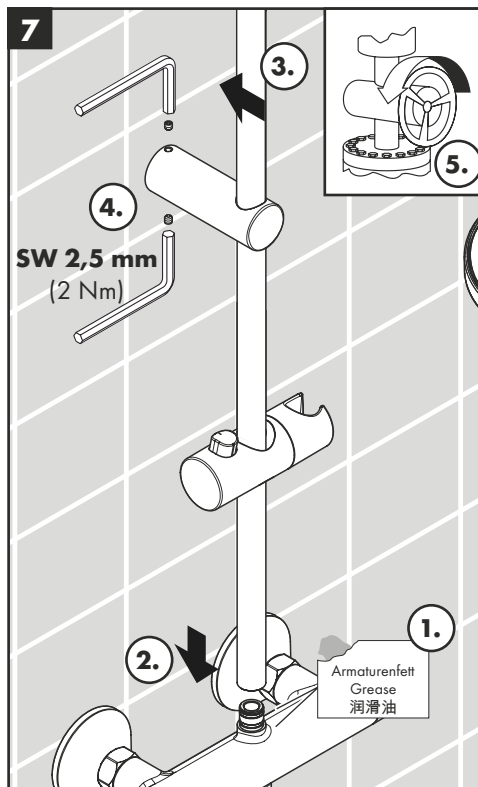
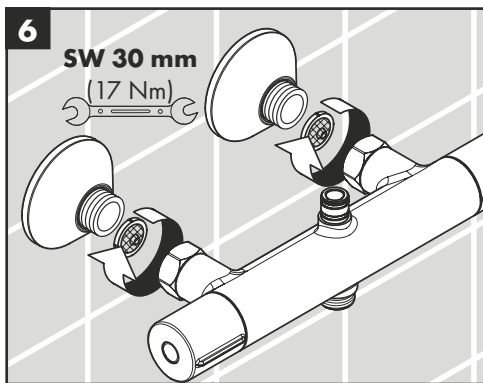
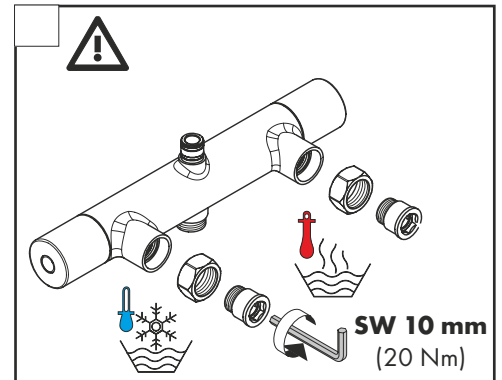
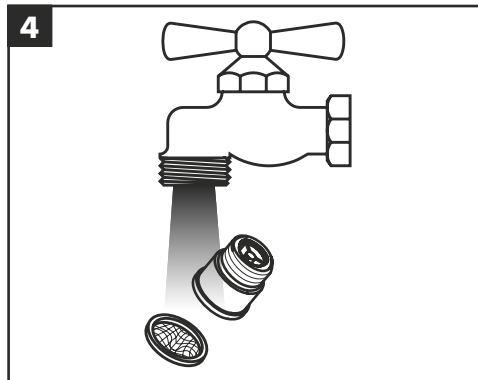
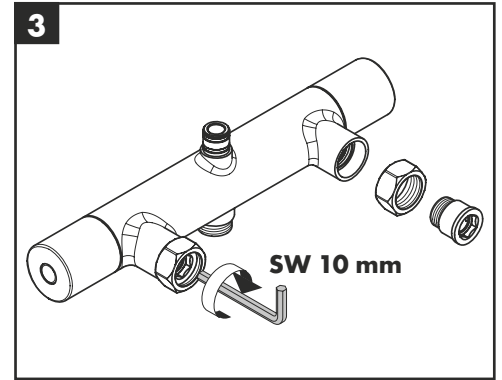
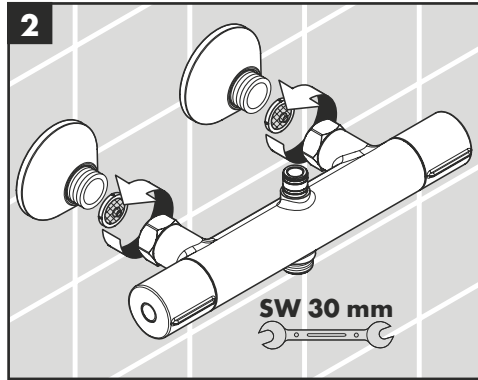
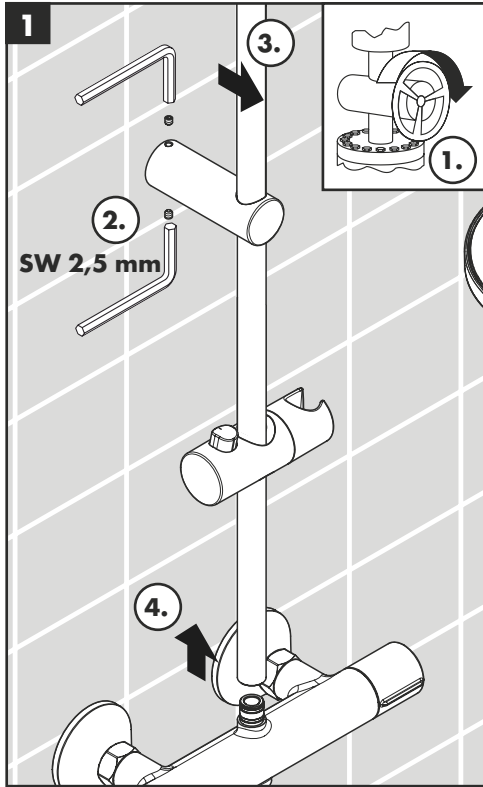




Vernis Blend 26270000

Vernis Blend EcoSmart 26340000







Vernis Blend Showerpipe 200 1jet

26274000

Vernis Blend Showerpipe 200 1jet EcoSmart

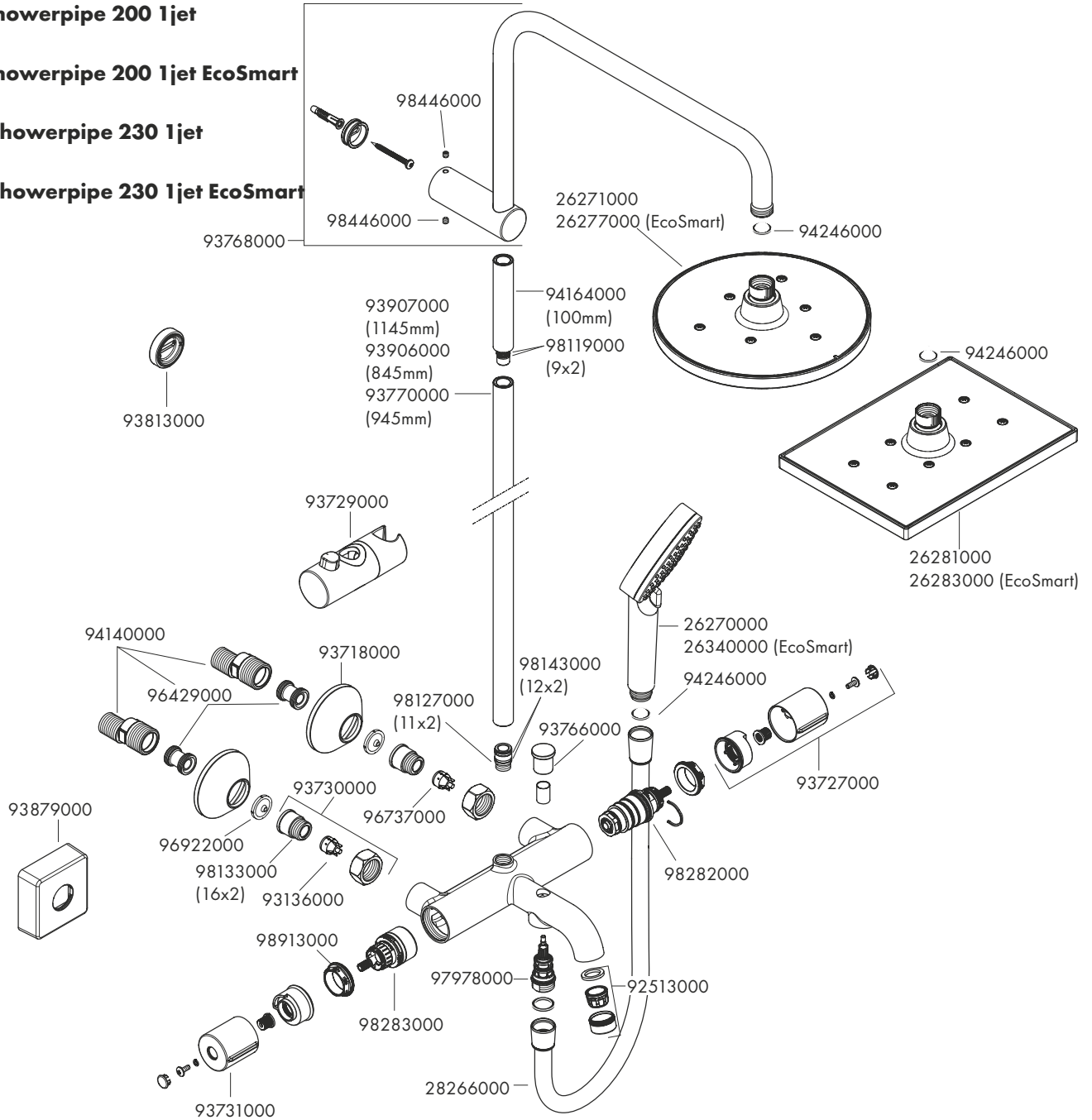
26079000

Vernis Shape Showerpipe 230 1jet

26284000

Vernis Shape Showerpipe 230 1jet EcoSmart

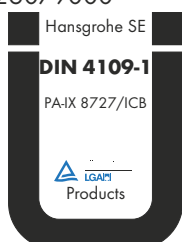
26098000



P-IX

26079000	PA-IX 38048/IDOB
26098000	PA-IX 38051/IDOB
26274000	PA-IX 38054/IDOB
26284000	PA-IX 38077/IDOB

Vernis Blend Showerpipe 200 1jet EcoSmart
26079000



Vernis Shape Showerpipe 230 1jet EcoSmart
26098000



Vernis Blend Showerpipe 200 1jet
26274000



Vernis Shape Showerpipe 230 1jet
26284000

