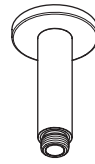
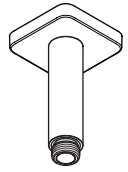


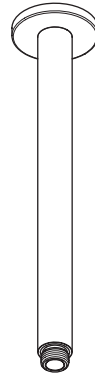
**EN** Instructions for use / assembly instructions



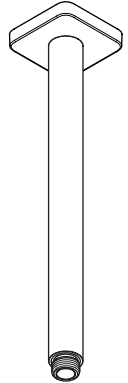
**Vernis Blend**  
27804XXX



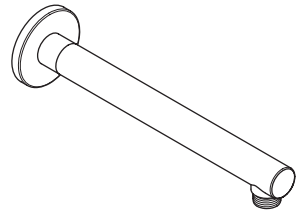
**Vernis Shape**  
26406XXX



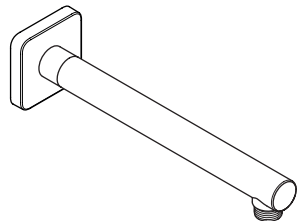
**Vernis Blend**  
27805XXX



**Vernis Shape**  
26407XXX



**Vernis Blend**  
27809XXX



**Vernis Shape**  
26405XXX



## Safety Notes

- △ Gloves should be worn during installation to prevent crushing and cutting injuries.
- △ The product may only be used for bathing, hygienic and body cleaning purposes.
- △ The hot and cold supplies must be of equal pressures.

## Installation Instructions

- Prior to installation, inspect the product for transport damages. After it has been installed, no transport or surface damage will be honoured.
- The pipes and the fixture must be installed, flushed and tested as per the applicable standards.
- The plumbing codes applicable in the respective countries must be observed.
- During installation of the product by qualified trained personnel, make sure that the entire fastening surface is even and smooth (no protruding seams or tile offset), that the finish of the wall is suitable to apply the product and has no weak points.

## Symbol description



Do not use silicone containing acetic acid!



**Dimensions** (see page 19)




**Spare parts** (see page 19)



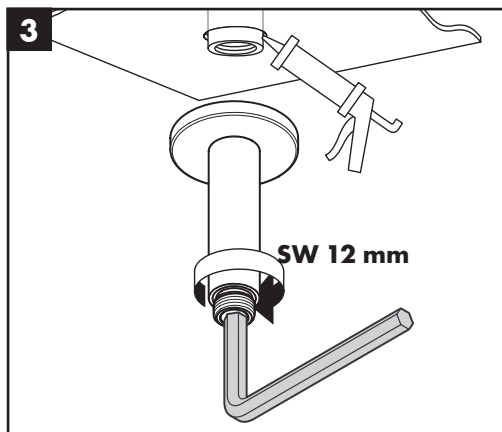
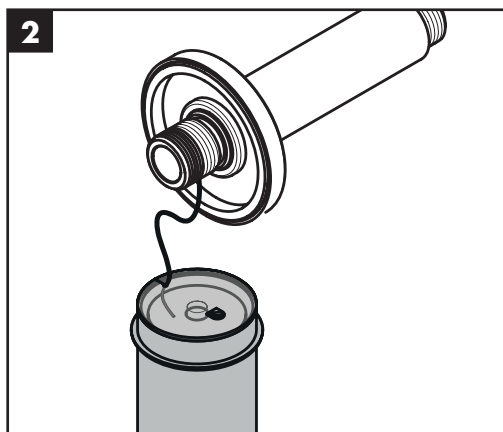
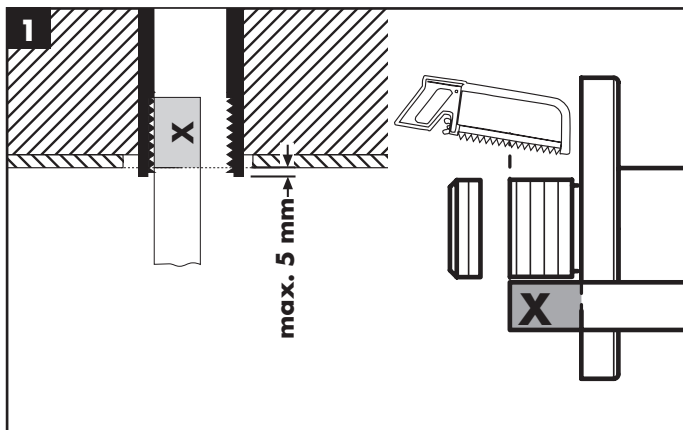
**Cleaning** (see page 20)

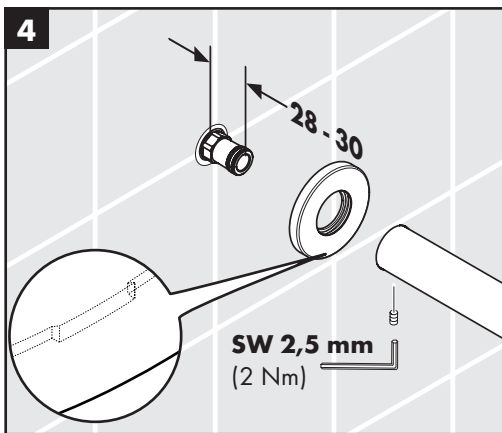
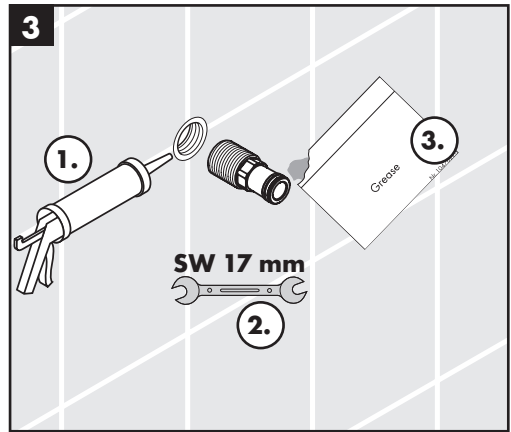
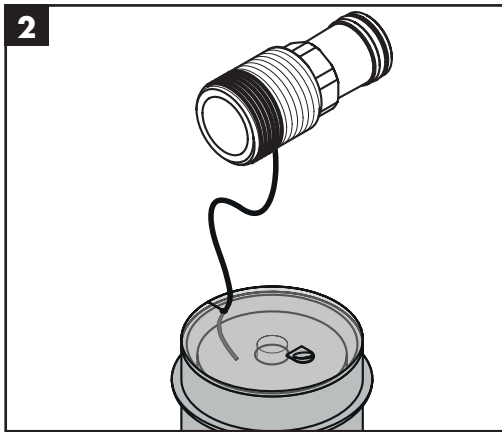
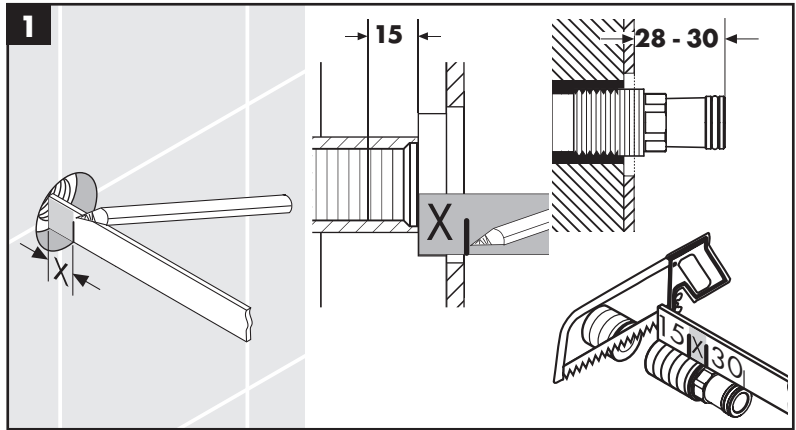
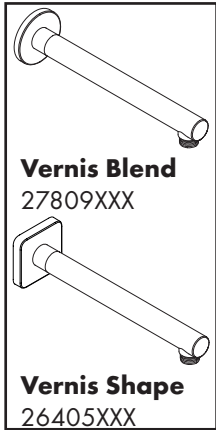




**Vernis Blend**  
27804XXX / 27805XXX

**Vernis Shape**  
26406XXX / 26407XXX

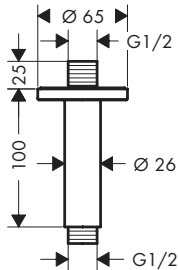






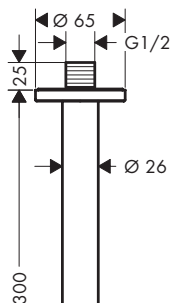
**Vernis Blend**

27804XXX



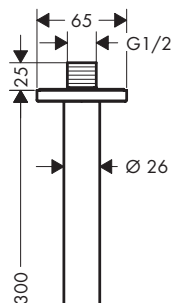
**Vernis Blend**

27805XXX



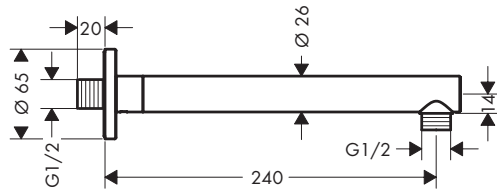
**Vernis Shape**

26407XXX



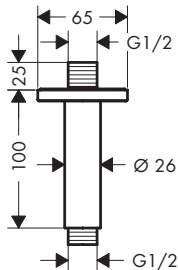
**Vernis Blend**

27809XXX



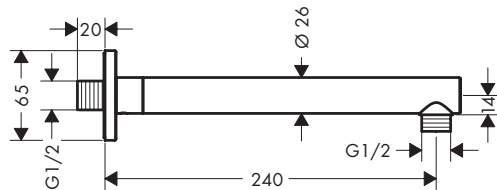
**Vernis Shape**

26406XXX



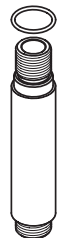
**Vernis Shape**

26405XXX



**Vernis Blend**

27804XXX /  
27805XXX



98185000.  
(22x2)



**Vernis Blend**

27809XXX

93726000



98128000  
(13x2)



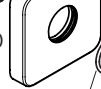
**Vernis Shape**

26405XXX

93726000

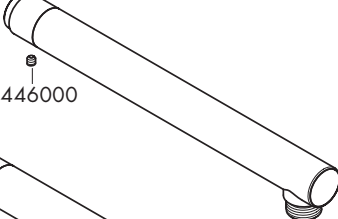


98128000  
(13x2)

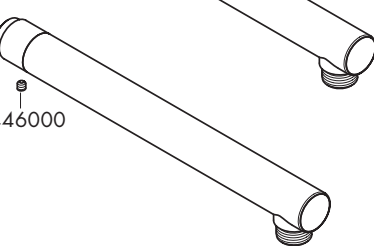


98185000.  
(22x2)

98185000.  
(22x2)



98446000



98446000