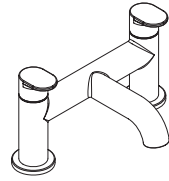
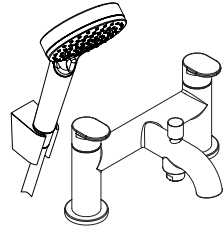


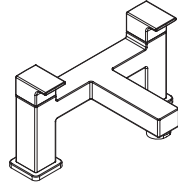
EN Instructions for use / Assembly instructions



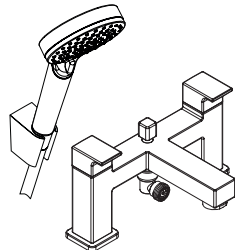
Vernis Blend
71442XXX



Vernis Blend
71461XXX



Vernis Shape
71452XXX



Vernis Shape
71462XXX



Safety Notes

- △ Gloves should be worn during installation to prevent crushing and cutting injuries.
- △ The product may only be used for bathing, hygienic and body cleaning purposes.
- △ The hot and cold supplies must be of equal pressures.

Installation Instructions

- Prior to installation, inspect the product for transport damages. After it has been installed, no transport or surface damage will be honoured.
- The pipes and the fixture must be installed, flushed and tested as per the applicable standards.
- The plumbing codes applicable in the respective countries must be observed.
- There must be an access door for maintenance.
- The mesh washer must be insert to protect the shower against incoming dirt by pipework. Incoming dirt leads to defects or/and can damage parts of the shower; such caused faults voids all liability and guarantee claims.

Technical Data

Operating pressure: max. 1 MPa
 Recommended operating pressure: 0,02 - 0,5 MPa
 Test pressure: 1,6 MPa
 (1 MPa = 10 bar = 147 PSI)

Hot water temperature: 60°C
 Thermal disinfection: 70°C / 4 min

The product is exclusively designed for drinking water!

Symbol description



Do not use silicone containing acetic acid!



Maintenance (see page 42)

The check valves must be checked regularly according to EN 806-5 in accordance with national or regional regulations (at least once a year).



Dimensions (see page 36)



Flow diagram (see page 38)

- ① Tub outlet
- ② Shower outlet



Spare parts (see page 40)

XXX = Colors
 000 = Chrome Plated
 670 = Matt Black



Cleaning (see page 39)



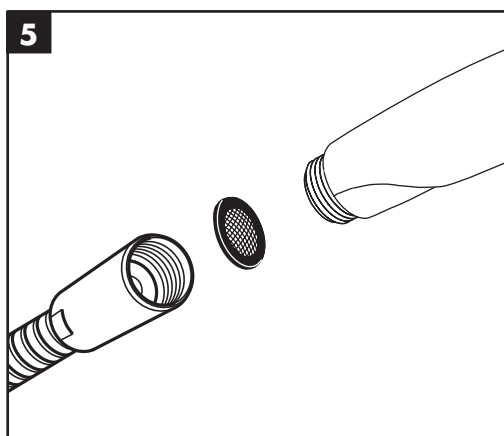
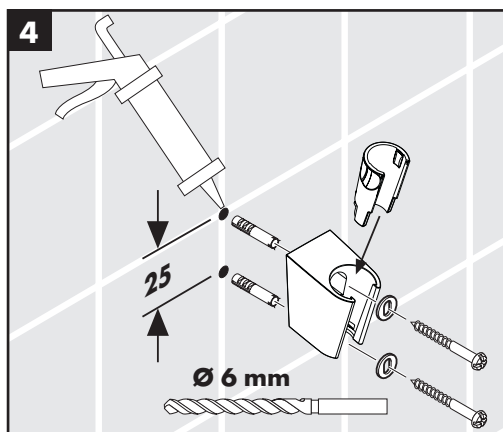
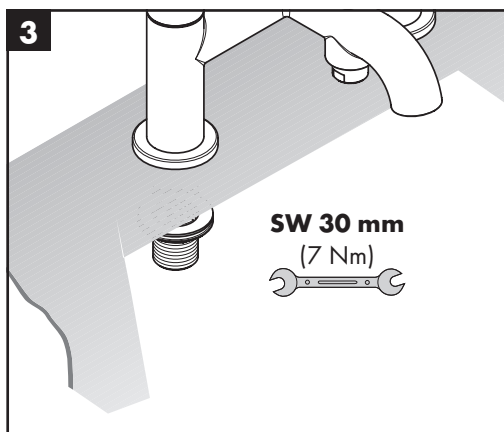
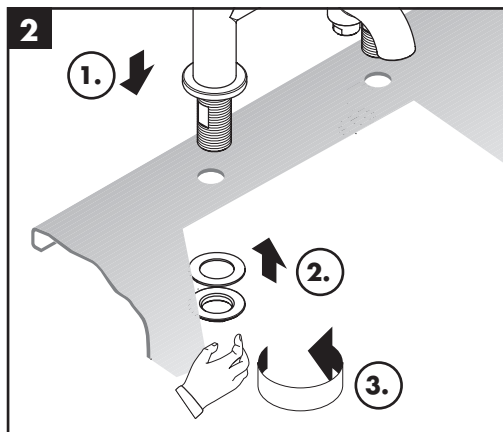
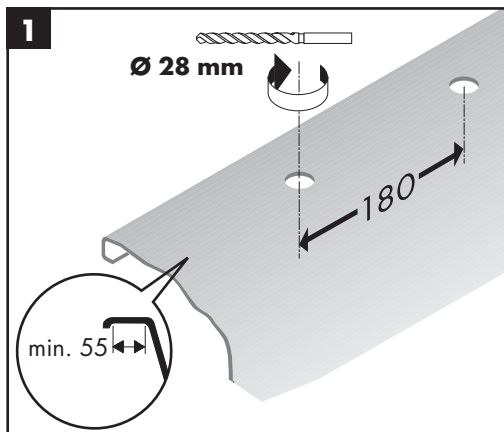
Operation (see page 35)

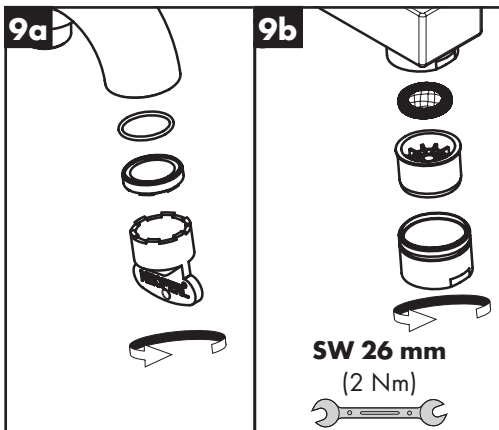
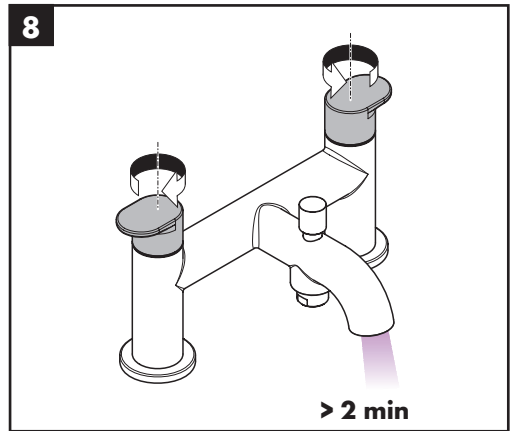
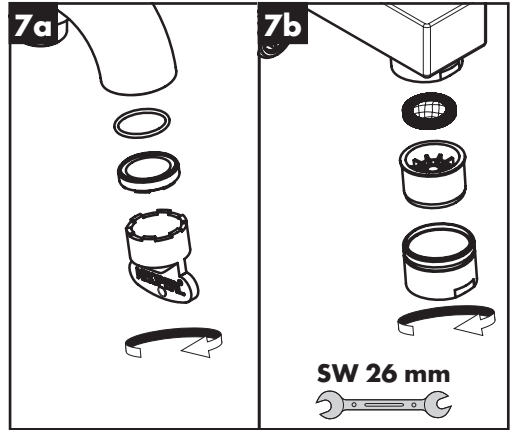
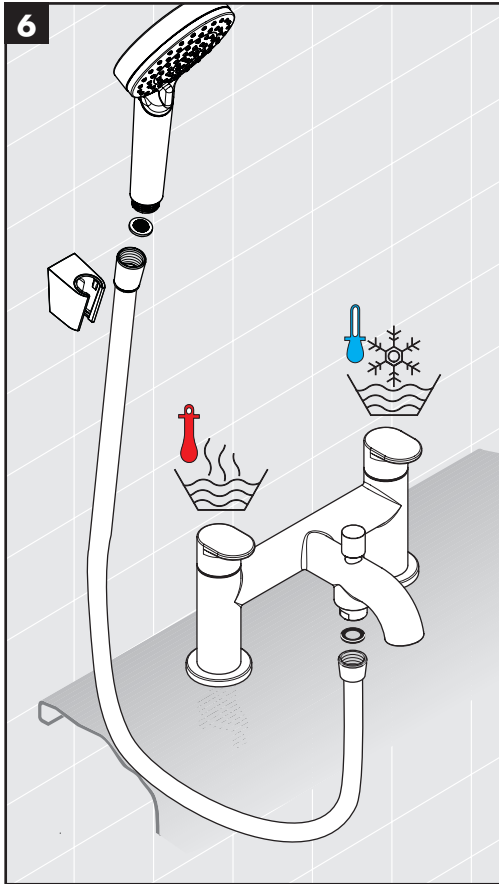
Fault

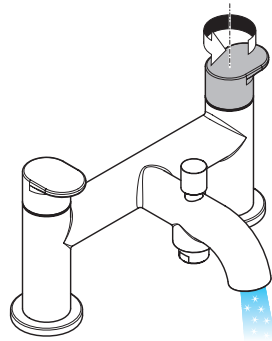
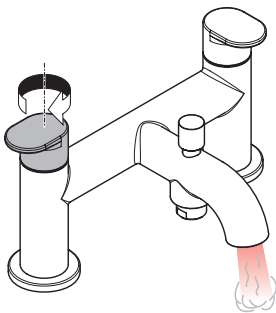
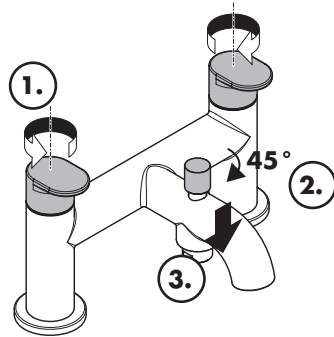
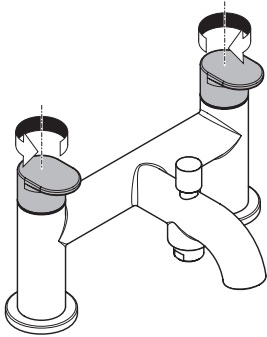
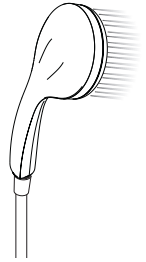
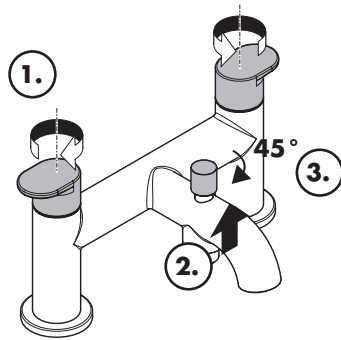
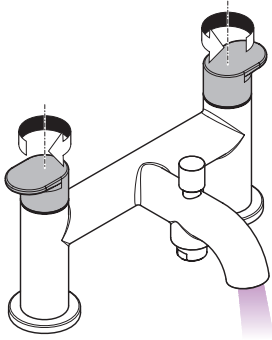
Cause

Remedy

Insufficient water	- Shower filter seal dirty	- Clean filter seal between shower and hose
	- check valve hasn't moved back	- Exchange check valves
Instantaneous heater didn't work	- Shower filter seal dirty	- Clean filter seal between shower and hose
	- check valve hasn't moved back	- Exchange check valves

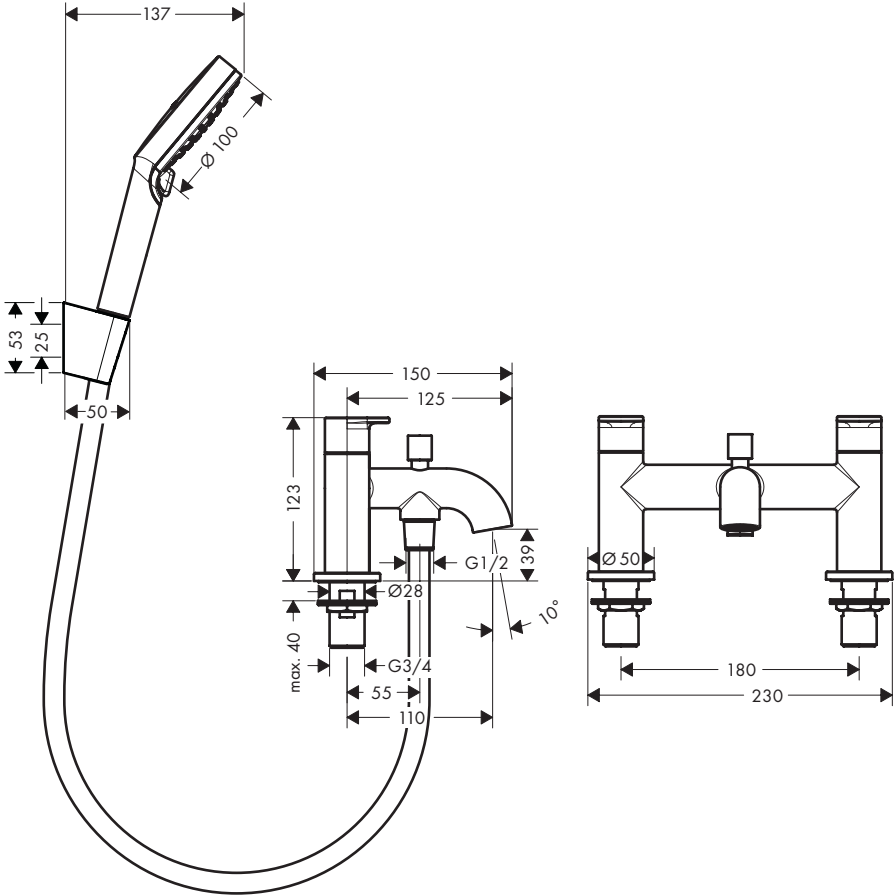




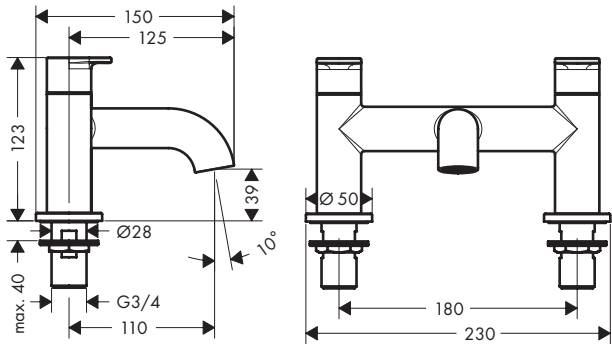




Vernis Blend 71461XXX

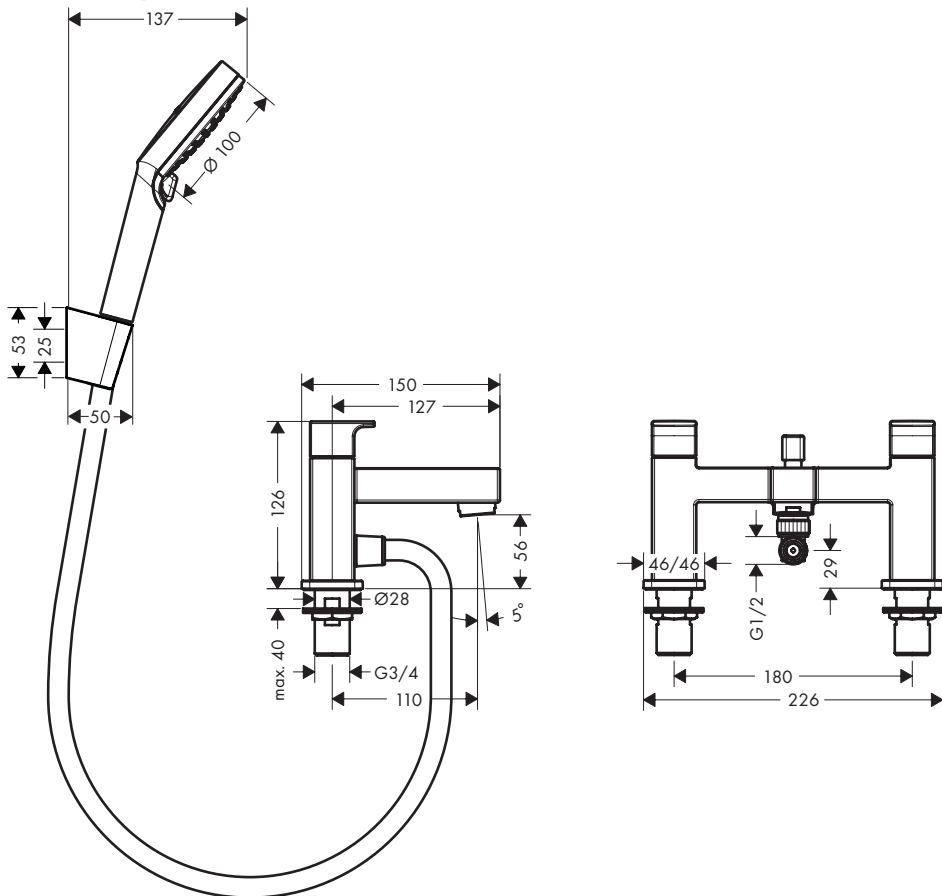


Vernis Blend 71442XXX

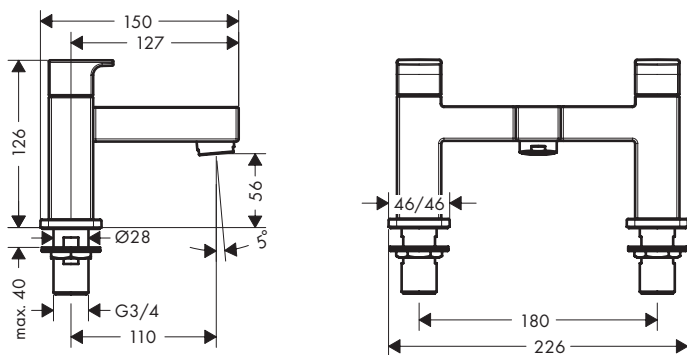




Vernis Shape 71462XXX



Vernis Shape 71452XXX



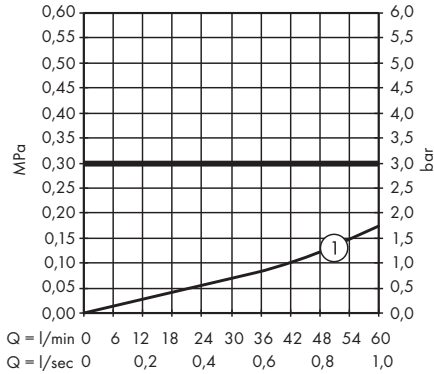


Vernis Blend

71442XXX

Vernis Shape

71452XXX

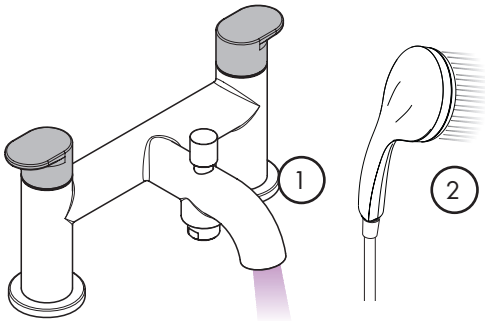
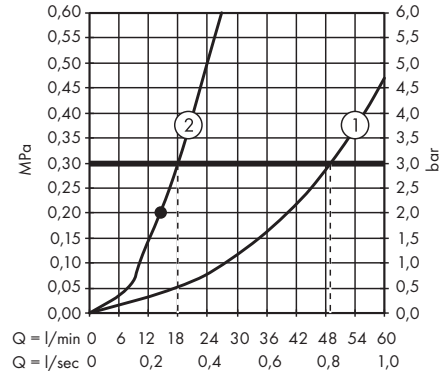


Vernis Blend

71461XXX

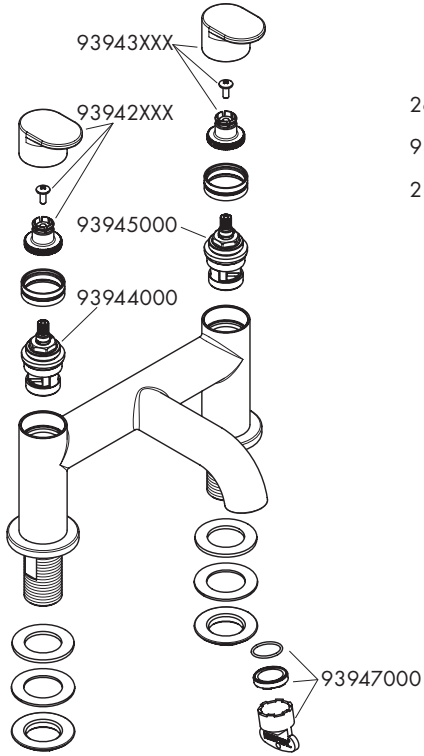
Vernis Shape

71462XXX

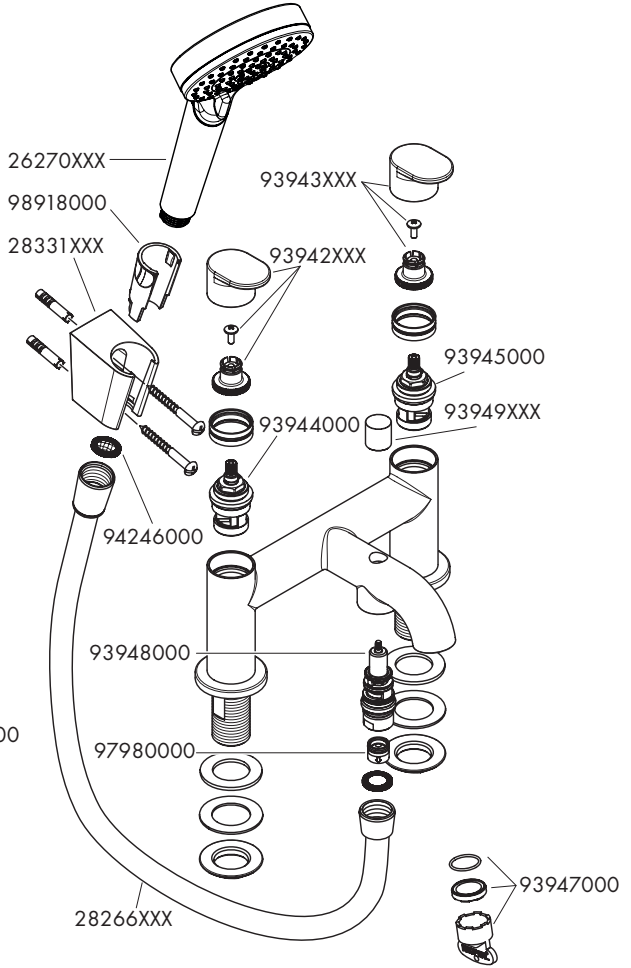




Vernis Blend 71442XXX

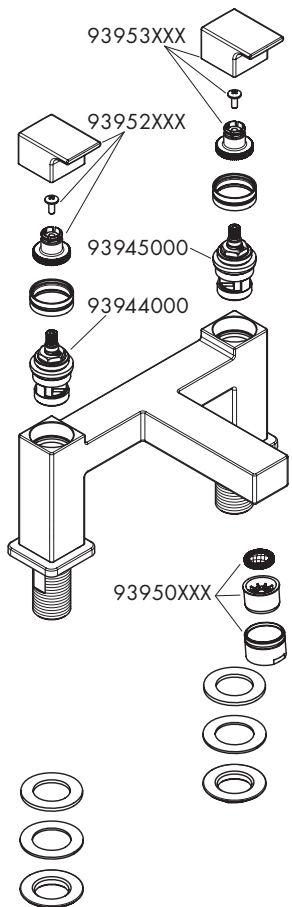


Vernis Blend 71461XXX





Vernis Shape 71452XXX



Vernis Shape 71462XXX

