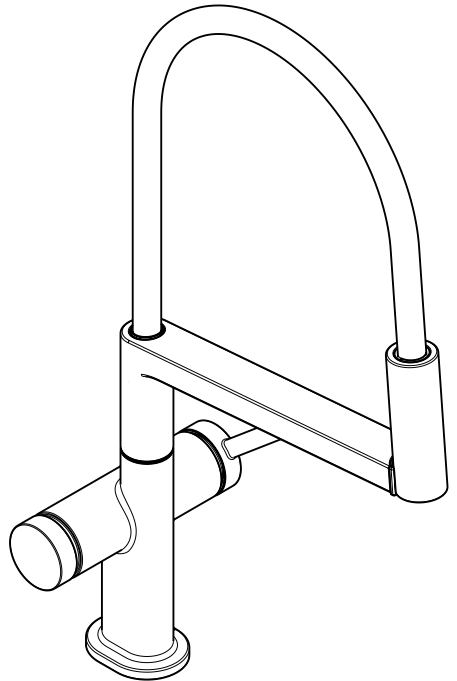


# hangrohe

**EN** Instructions for use / Assembly instructions



**Talis Select M54 PowderSpray  
Semi-Pro 3jet  
72861XX0**



## Safety Notes

- ⚠ Gloves should be worn during installation to prevent crushing and cutting injuries.
- ⚠ The hot and cold supplies must be of equal pressures.

## Installation Instructions

- Prior to installation, inspect the product for transport damages. After it has been installed, no transport or surface damage will be honoured.
- The pipes and the fixture must be installed, flushed and tested as per the applicable standards.
- The plumbing codes applicable in the respective countries must be observed.

## Special information for UK

If installing this product with a pump, please be aware that it has to have negative head switching. This product will not function with a positive head pump.

## Technical Data

Operating pressure: max. 1 MPa  
 Recommended operating pressure: 0,1 - 0,5 MPa  
 Test pressure: 1,6 MPa  
 (1 MPa = 10 bar = 147 PSI)

Hot water temperature: max. 60°C  
 Thermal disinfection: 70°C / 4 min

The product is exclusively designed for drinking water!

## Symbol description

 Do not use silicone containing acetic acid!

 **Adjustment** (see page 41)

To adjust the hot water limiter. Using a hot water limiter in combination with a continuous flow water heater is not recommended.

 **Dimensions** (see page 35)

 **Flow diagram** (see page 35)

 **Spare parts** (see page 42)

- XX = Colors
- 00 = Chrome Plated
- 34 = Brushed Black Chrome
- 67 = Matt Black
- 80 = Stainless Steel Optic

 **Cleaning** (see page 44)

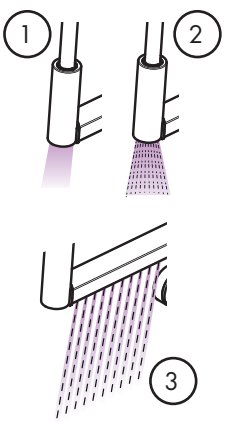
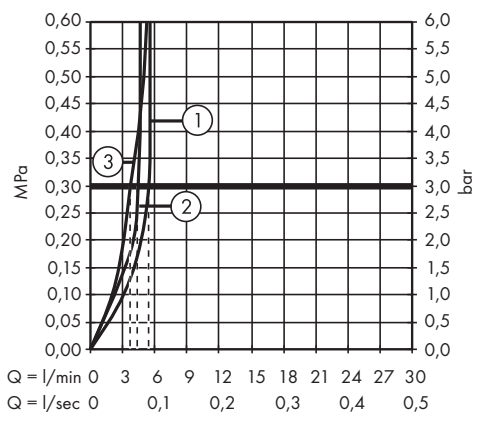
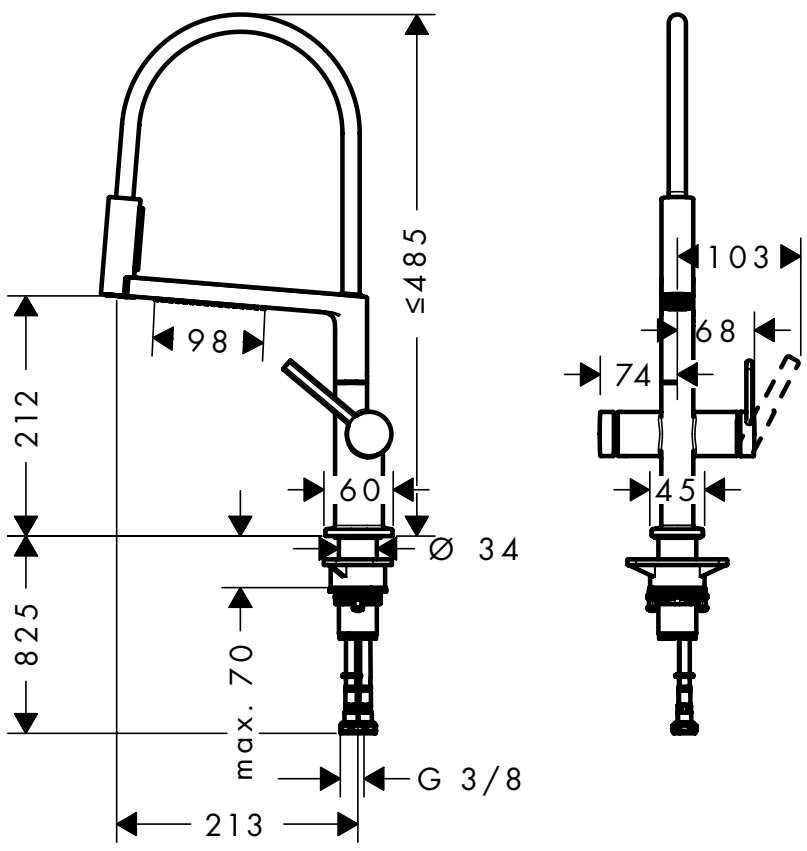
 **Dismounting spout** (see page 40)

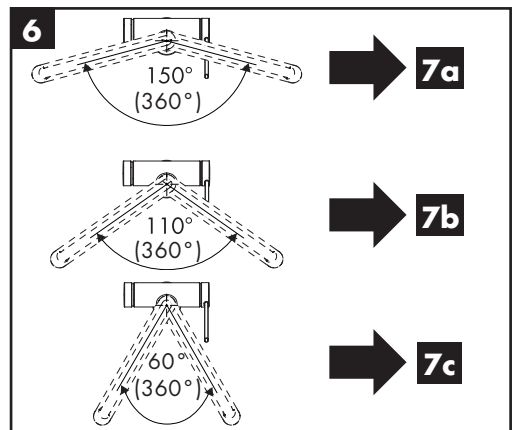
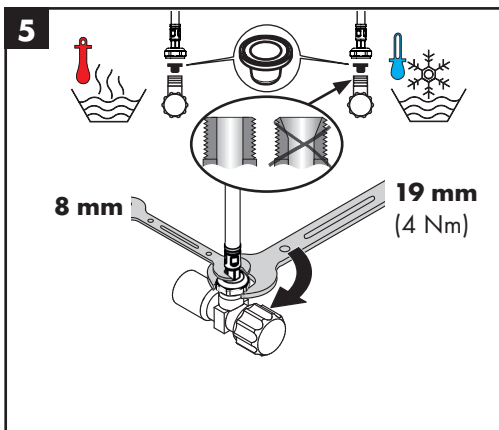
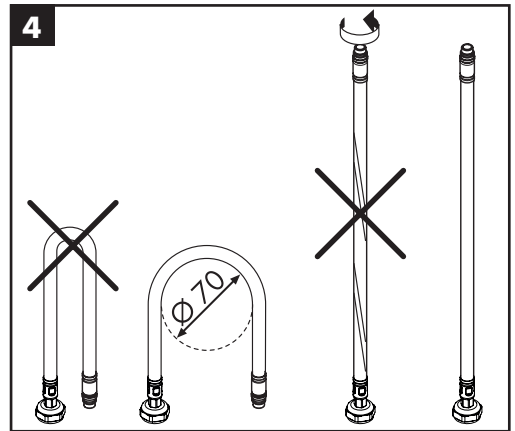
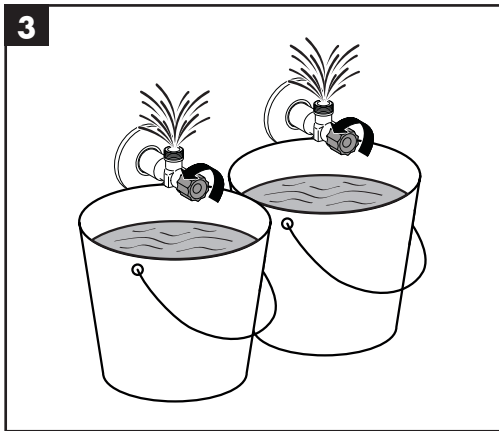
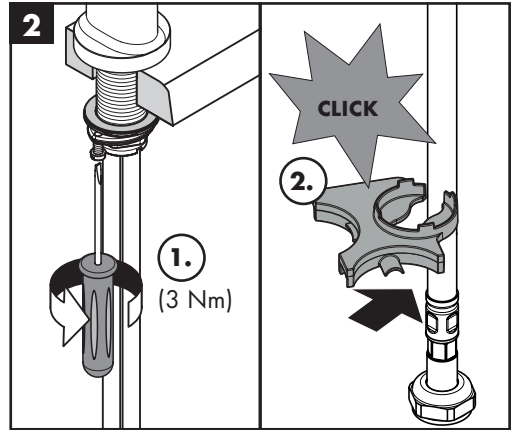
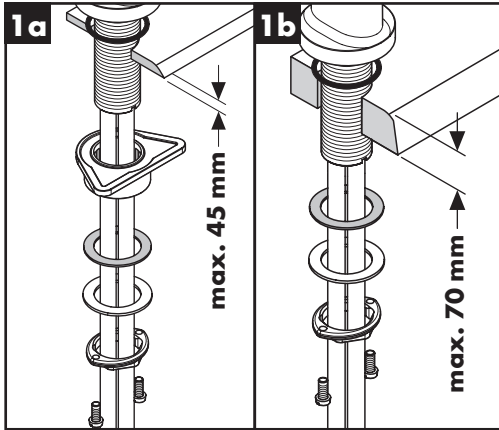
 **Operation** (see page 47)

Hansgrohe recommends not to use as drinking water the first half liter of water drawn in the morning or after a prolonged period of non-use.

 **Test certificate** (see page 47)

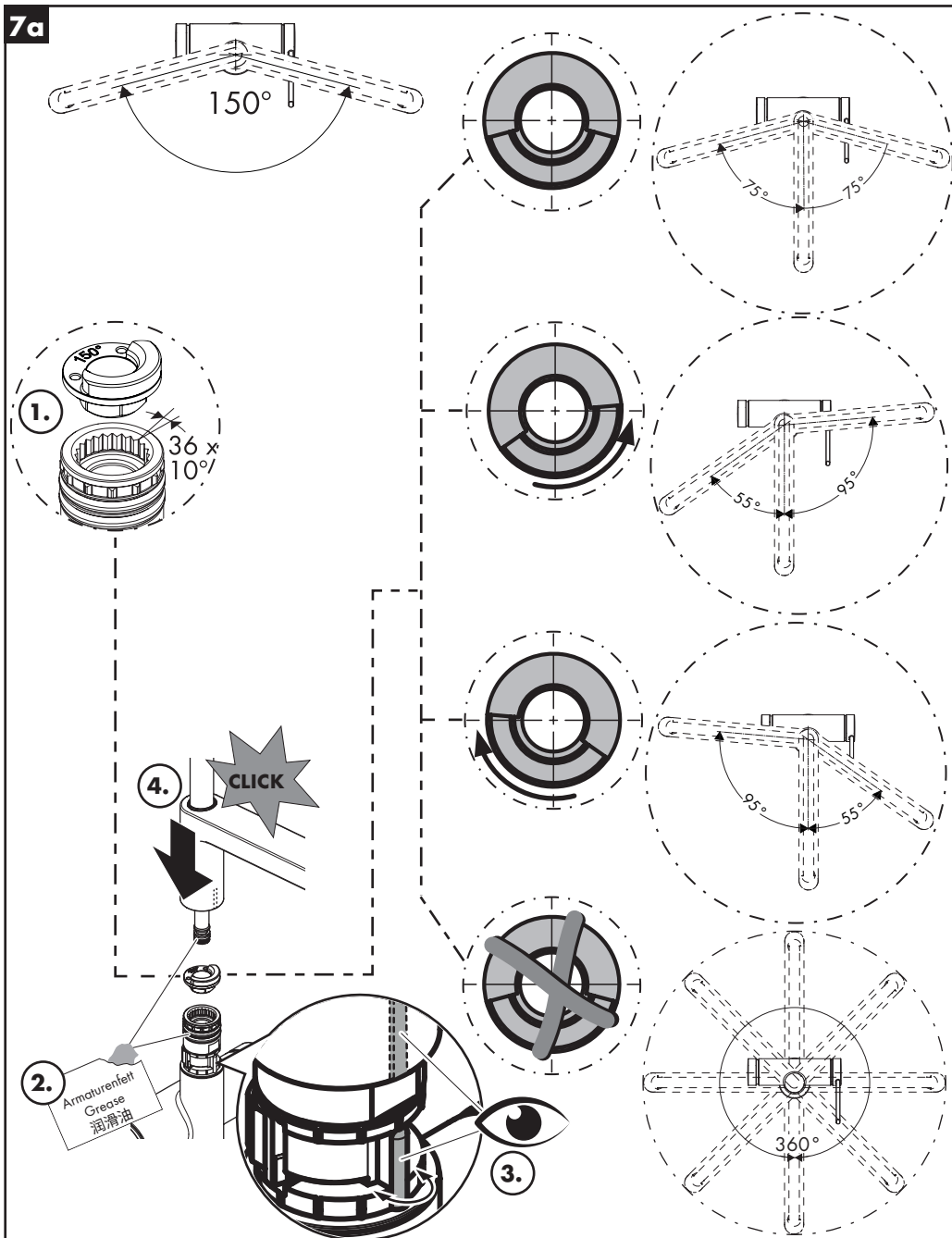
Fault	Cause	Remedy
Insufficient water	- Aerator calcified, dirty - Filter at the isolation valves soils.	- Clean aerator, replace as necessary - Clean filters
Mixer stiff	- Cartridge defective, calcified	- Exchange cartridge
Mixer dripping	- Cartridge defective	- Exchange cartridge
Water escaping in area of swivel spout	- O-ring defective	- Exchange O-ring
Water escaping at the threaded base	- connection hoses not completely screwed into basic body - O-ring at the connection hose defective.	- Tighten connection hoses by hand - Exchange O-ring
Hot water temperature too low	- Hot water limiter incorrectly set	- Set hot water limiter





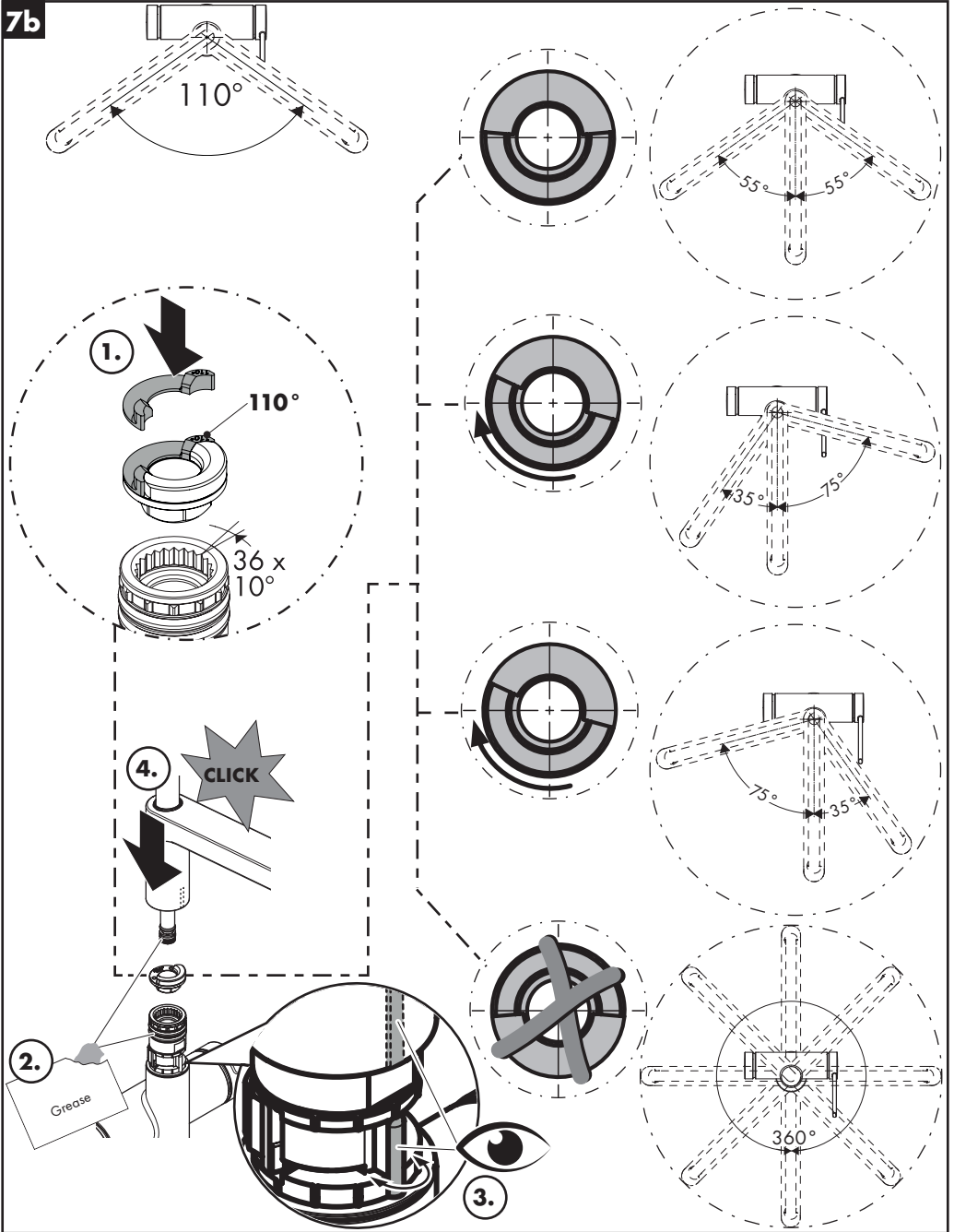


7a



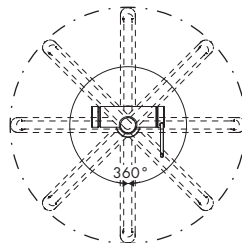
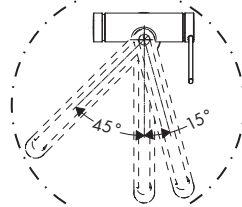
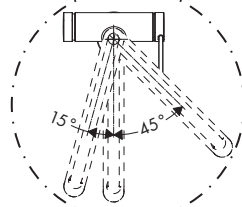
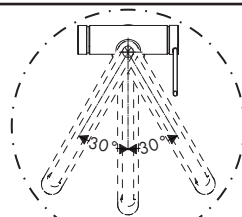
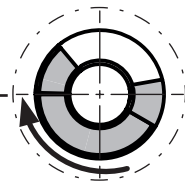
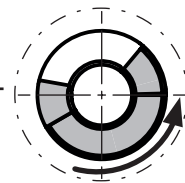
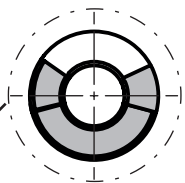
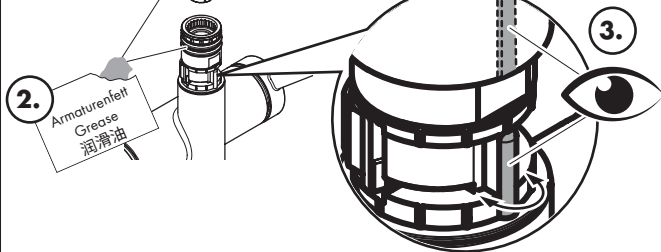
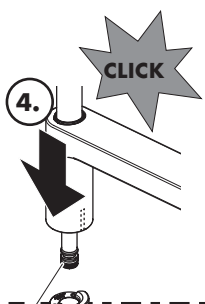
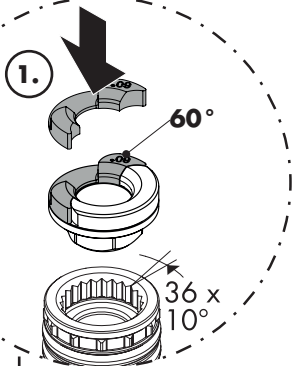
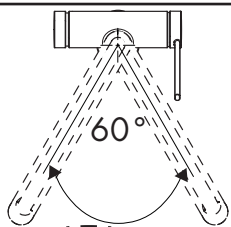


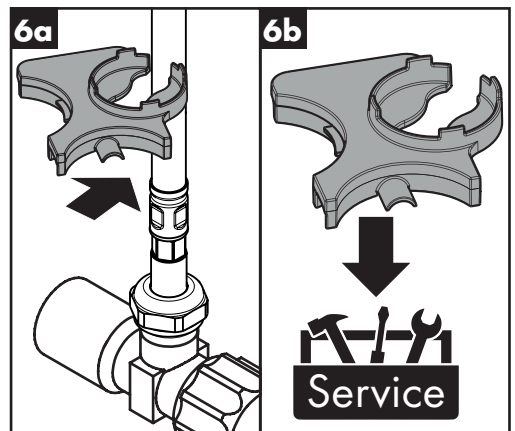
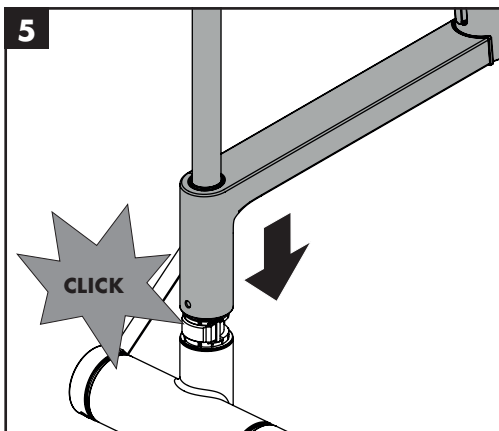
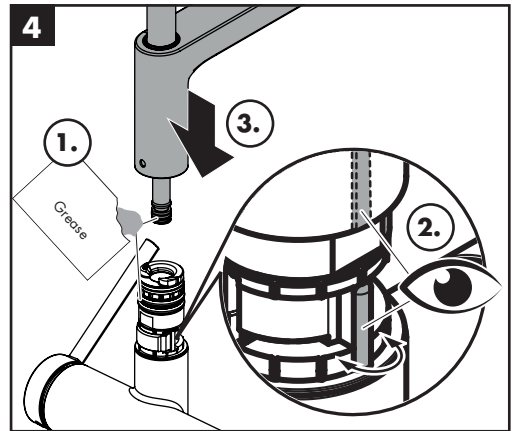
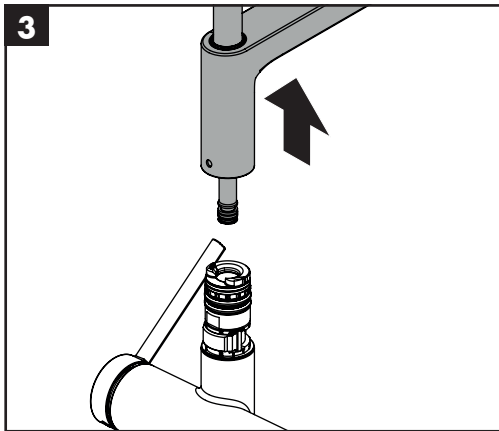
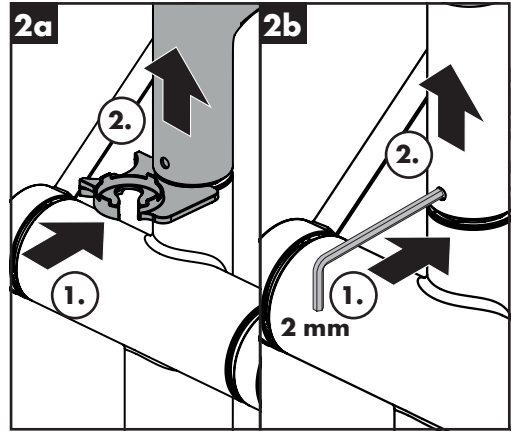
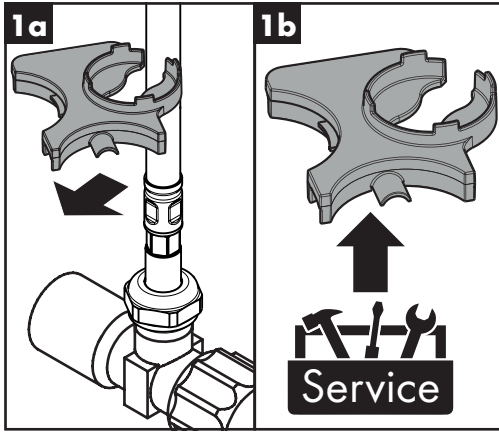
7b





7c







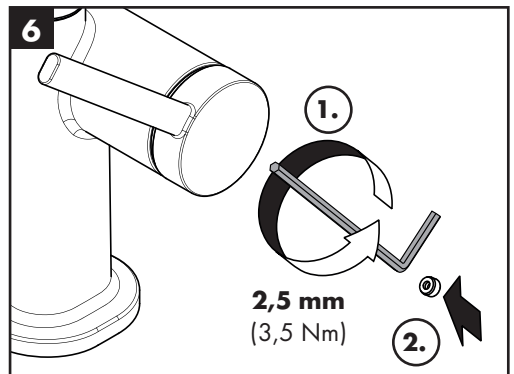
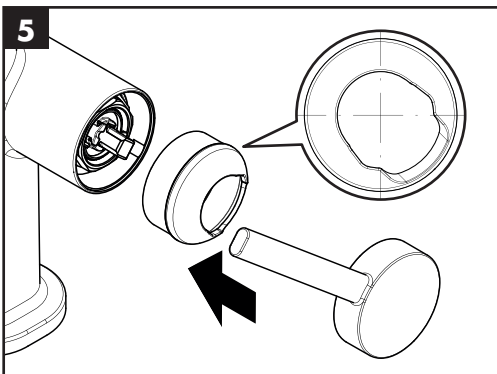
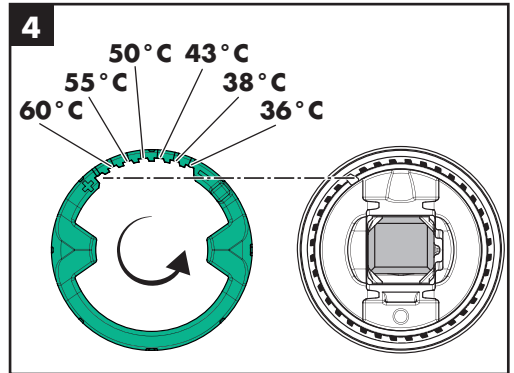
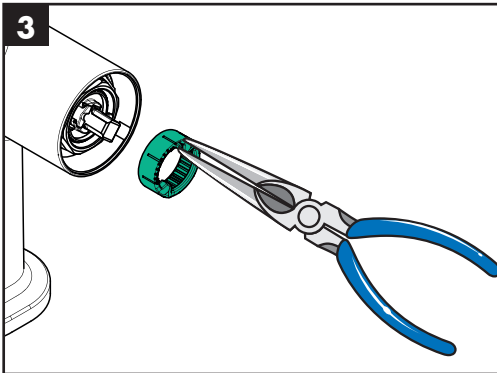
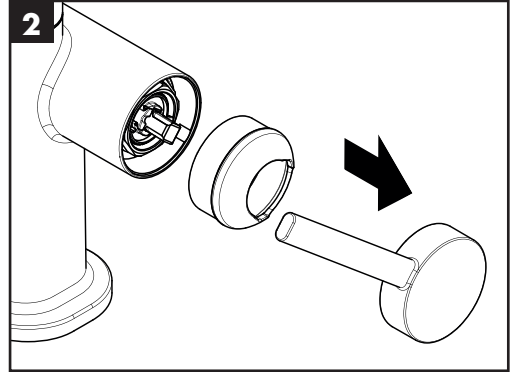
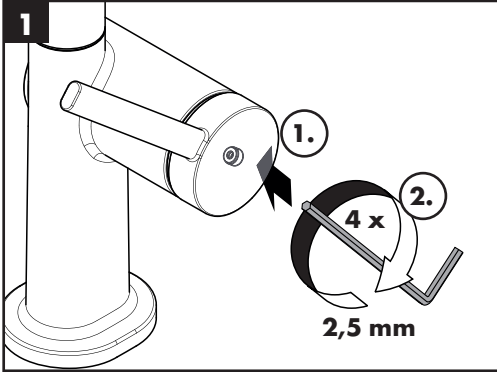
60 °C

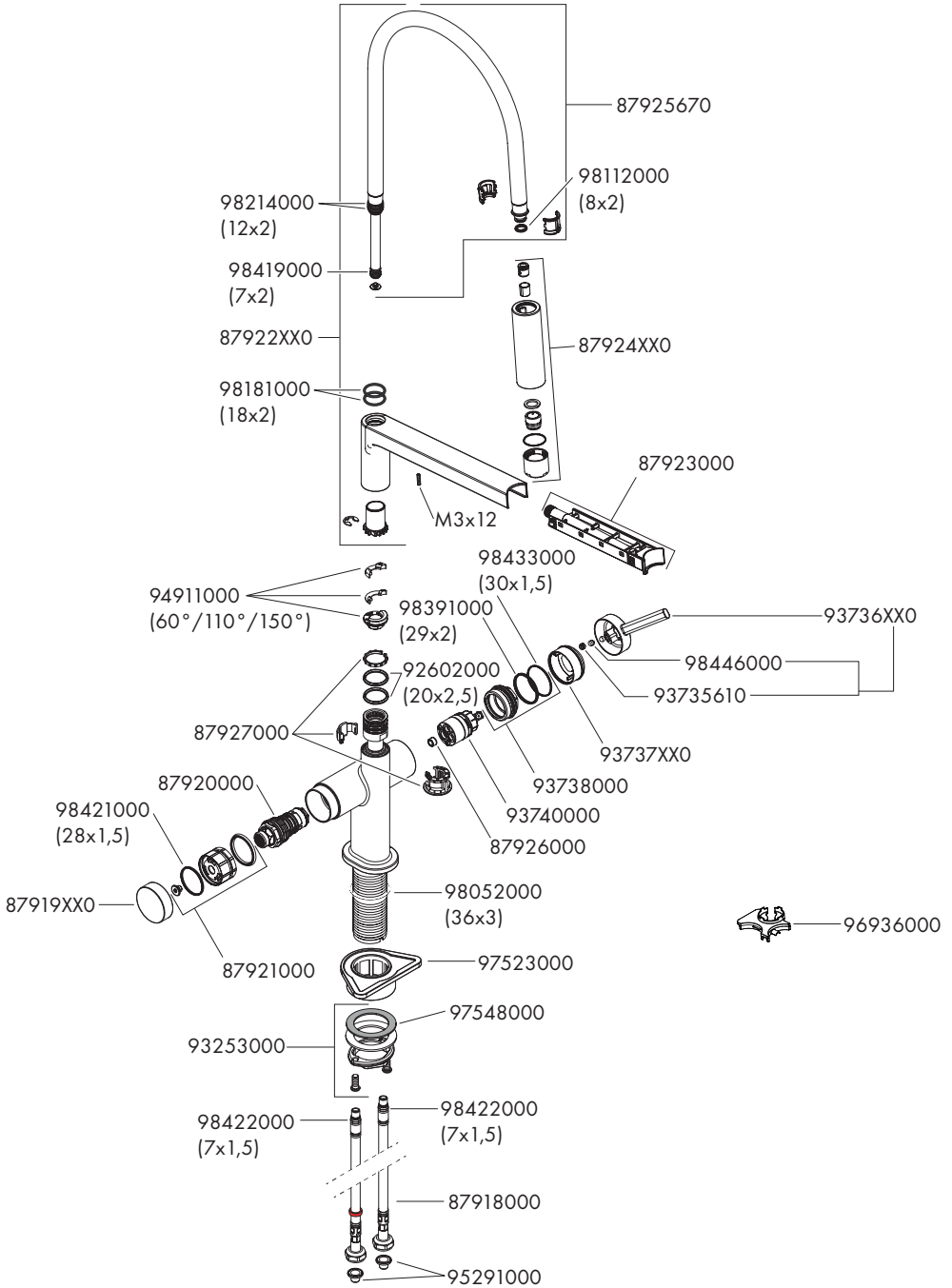


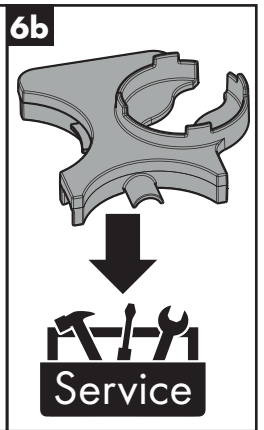
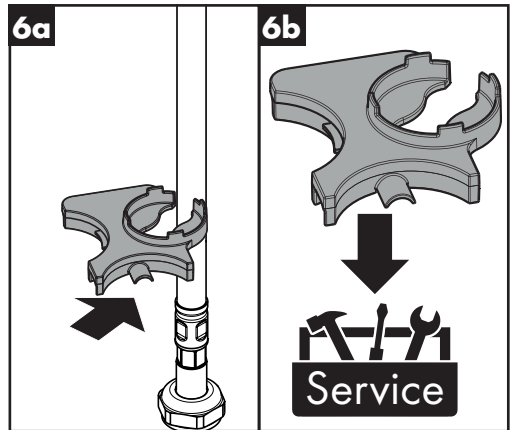
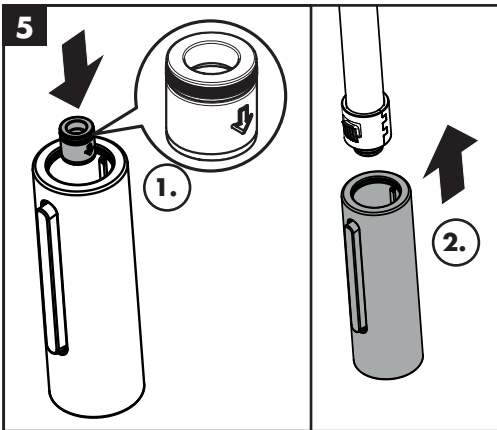
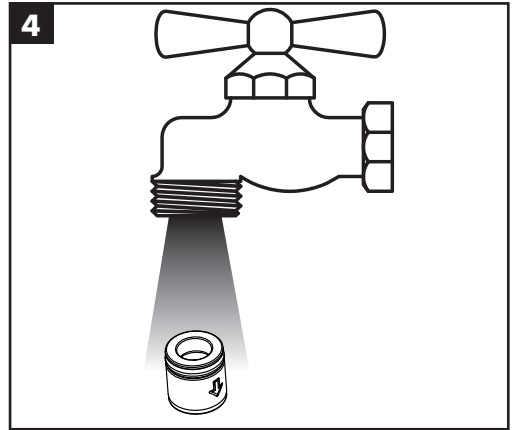
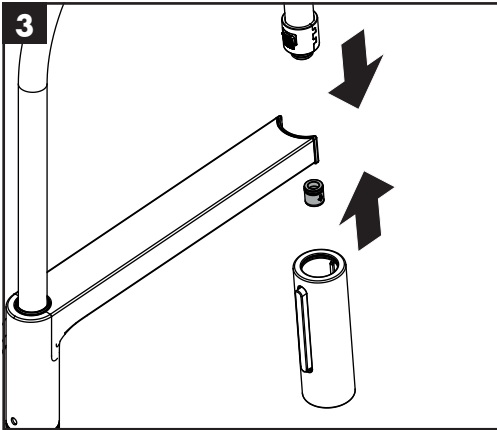
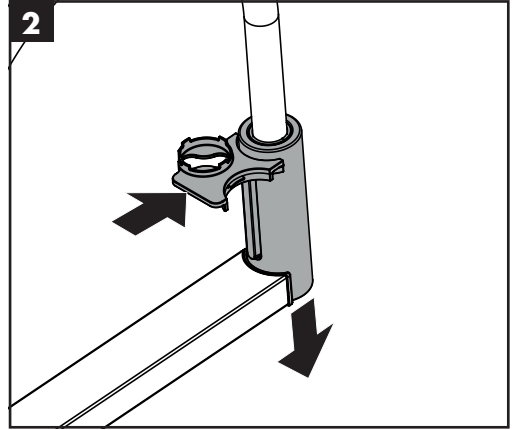
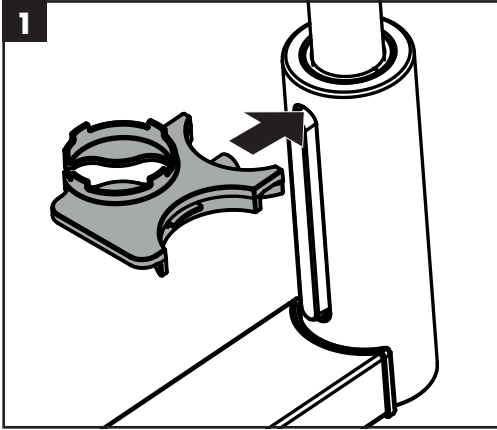
10 °C

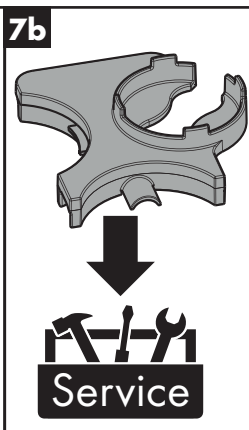
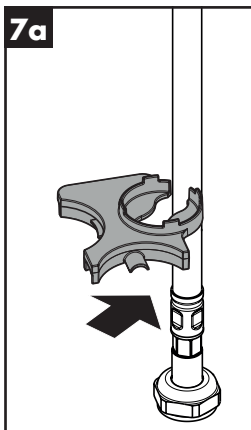
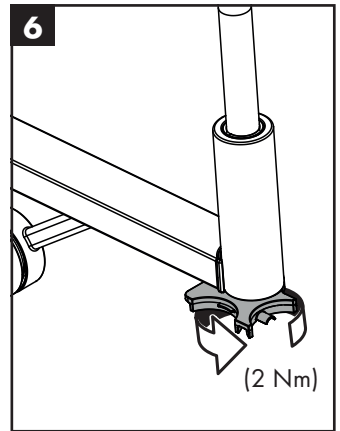
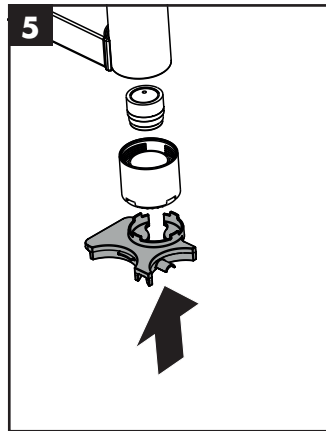
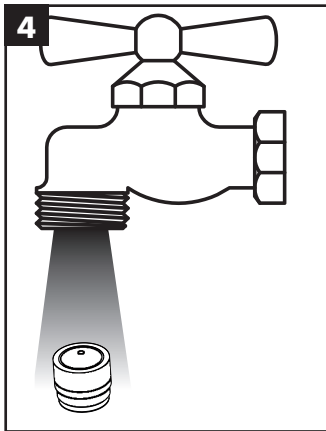
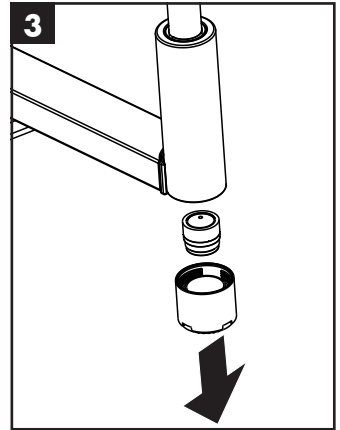
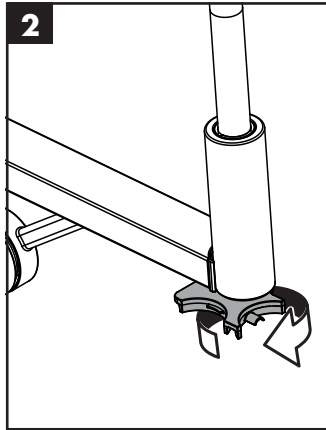
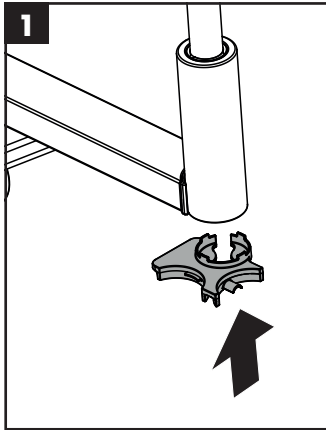


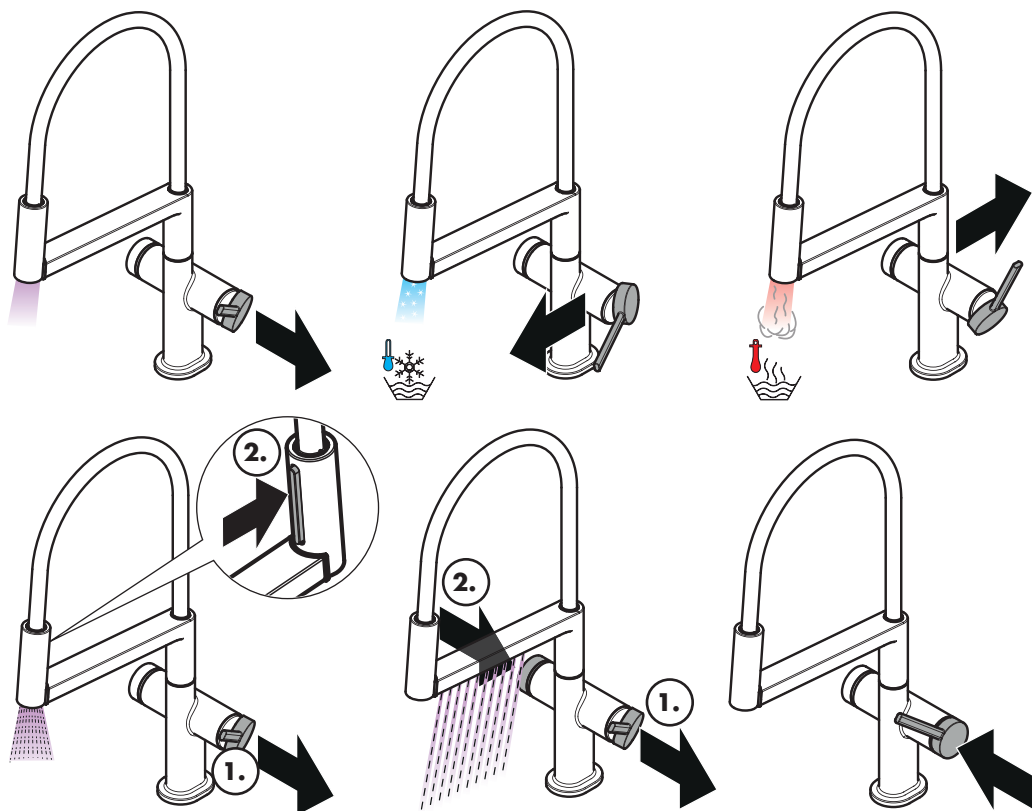
0,3 MPa











P-IX

DVGW



ETA

72681XX0 PA-IX 10302/1000 DL10136

1656

