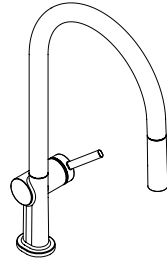
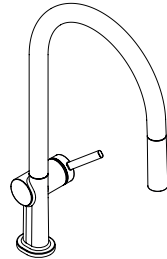


EN Instructions for use / assembly instructions

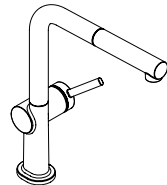


Talis M54 210 2jet
72800XXX

Talis M54 210 Eco 2jet
72842XXX



Talis M54 210 1jet
72802XXX



Talis M54 270 1jet
72808XXX

Talis M54 270 Eco 1jet
72845XXX

Accepterad
monteringsanvisning
2021:1



Safety Notes

- △ Gloves should be worn during installation to prevent crushing and cutting injuries.
- △ The hot and cold supplies must be of equal pressures.

Installation Instructions

- Prior to installation, inspect the product for transport damages. After it has been installed, no transport or surface damage will be honoured.
- The pipes and the fixture must be installed, flushed and tested as per the applicable standards.
- The plumbing codes applicable in the respective countries must be observed.
- 72842XXX, 72845XXX: The mixer can not used together with a continuous flow water heater.

Technical Data

Operating pressure: max. 1 MPa
 Recommended operating pressure: 0,1 - 0,5 MPa
 Test pressure: 1,6 MPa
 (1 MPa = 10 bar = 147 PSI)

Hot water temperature: max. 60 °C
 Thermal disinfection: 70 °C / 4 min

The product is exclusively designed for drinking water!

Symbol description



Do not use silicone containing acetic acid!



Adjustment (see page 39)

To adjust the hot water limiter. Using a hot water limiter in combination with a continuous flow water heater is not recommended.



Maintenance (see page 48)

The check valves must be checked regularly according to EN 806-5 in accordance with national or regional regulations (at least once a year).



Dimensions (see page 40)



Flow diagram (see page 40)



Spare parts (see page 45)

XXX = Colors
 000 = Chrome Plated
 670 = Matt Black
 800 = Stainless Steel Optic

Special accessories (order as an extra)



Adapter (G³/₈ / G¹/₂)
 #93395000 (see page 45 / 47)



Cleaning (see page 43)



Operation (see page 44)

Hansgrohe recommends not to use as drinking water the first half liter of water drawn in the morning or after a prolonged period of non-use.



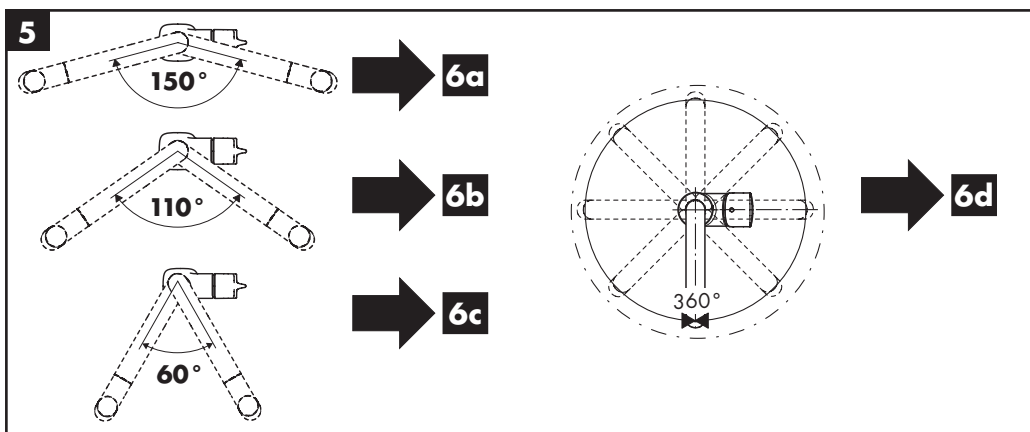
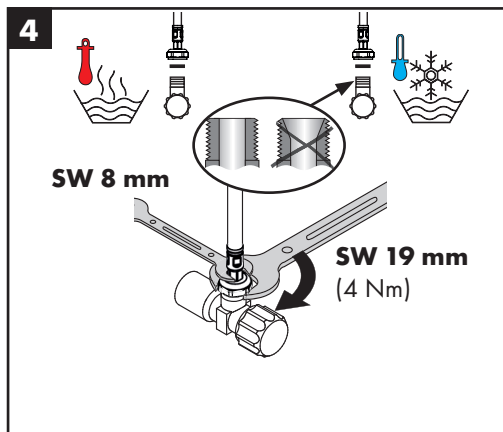
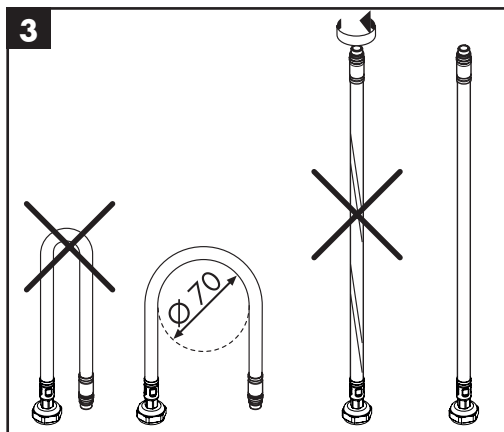
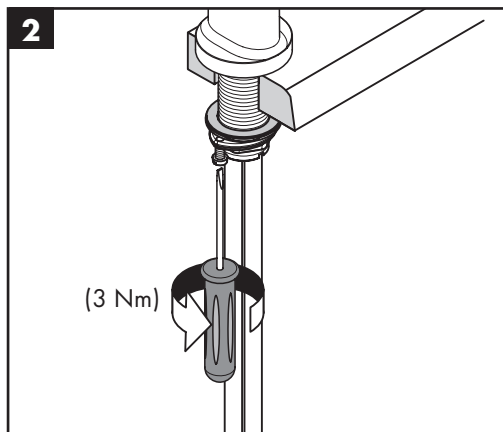
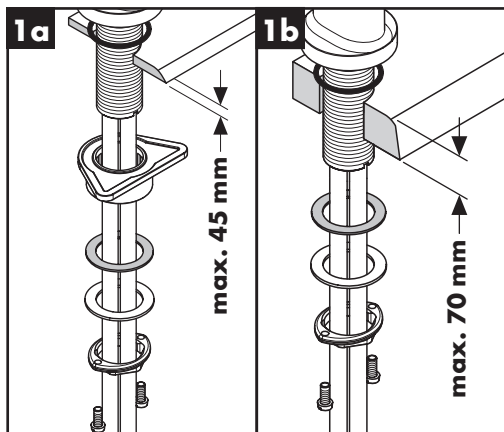
Test certificate (see page 48)

Fault

Cause

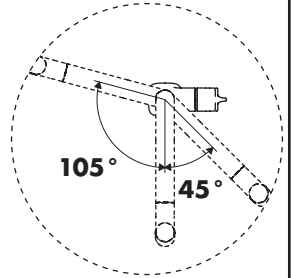
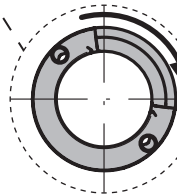
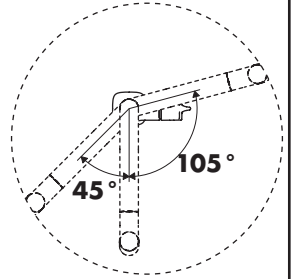
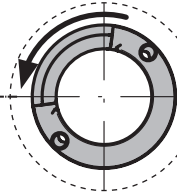
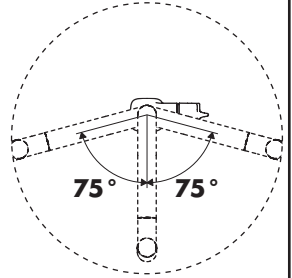
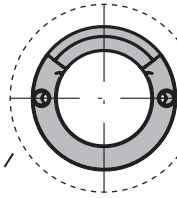
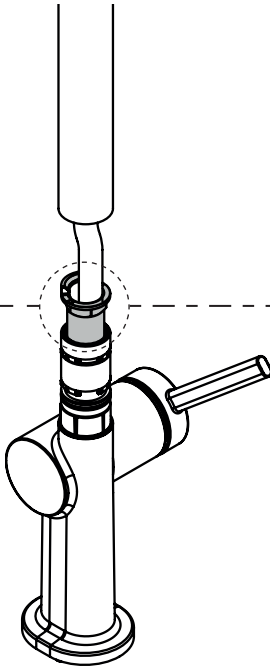
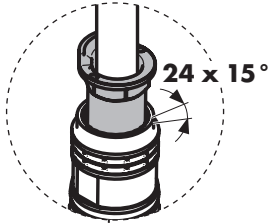
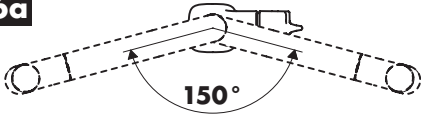
Remedy

Mixer stiff	- Cartridge defective, calcified	- Exchange cartridge
Mixer dripping	- Cartridge defective	- Exchange cartridge
Water escaping at the threaded base	- connection hoses not completely screwed into basic body	- Tighten connection hoses by hand
	- O-ring at the connection hose defective.	- Exchange O-ring
Hot water temperature too low	- Hot water limiter incorrectly set	- Set hot water limiter



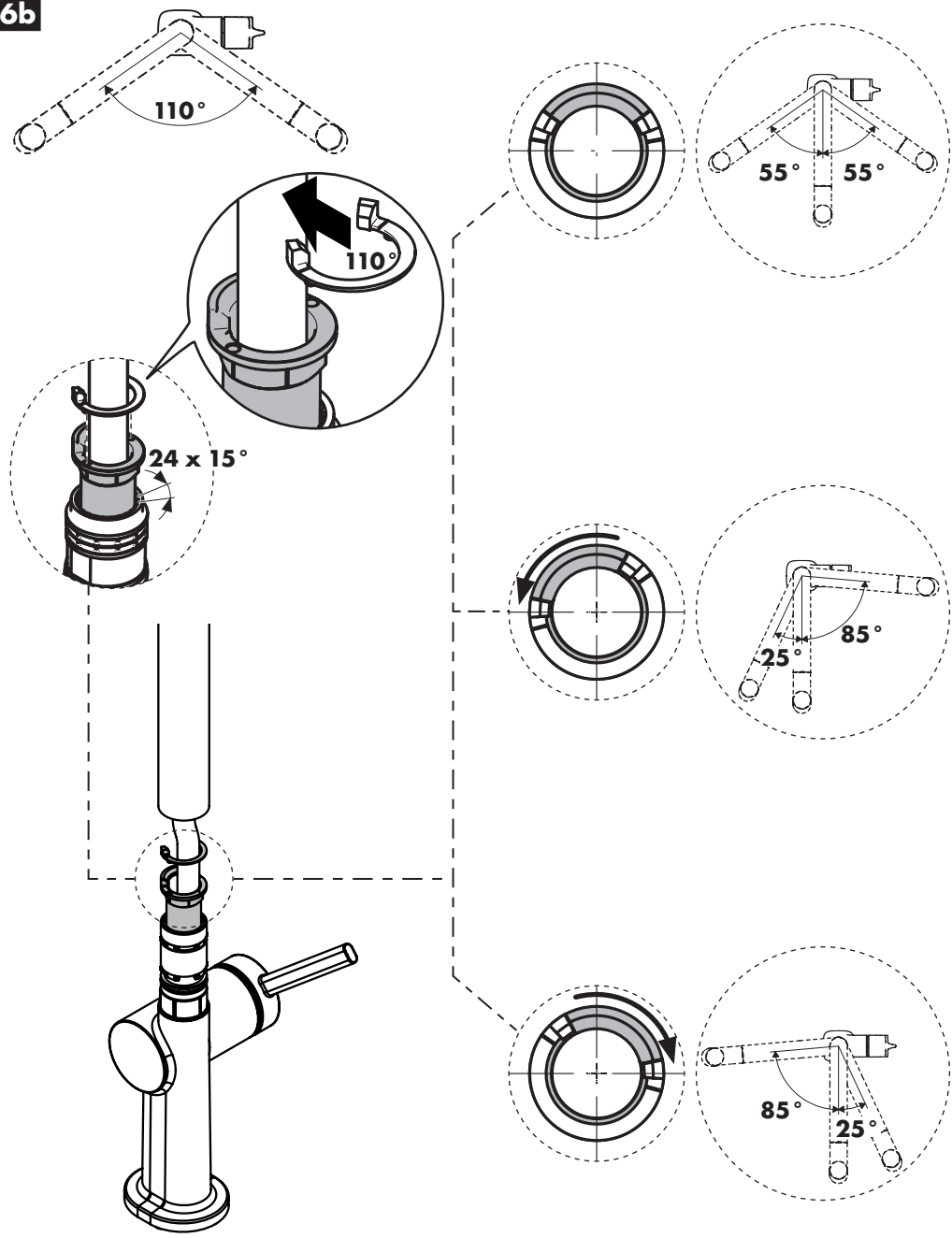


6a



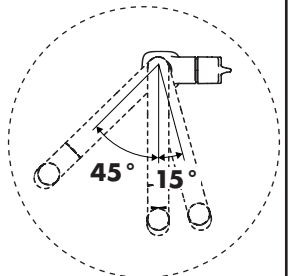
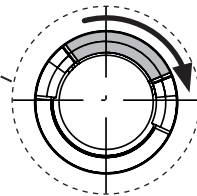
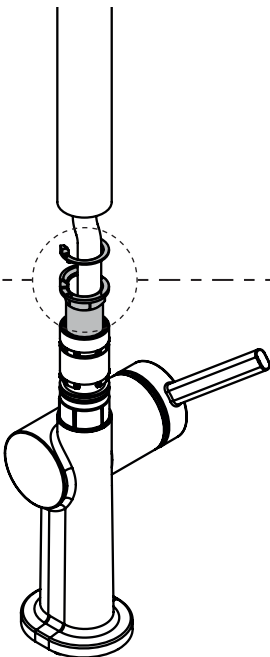
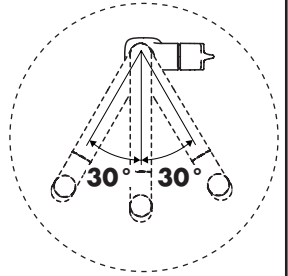
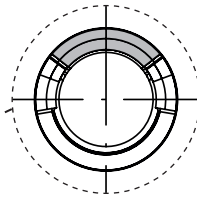
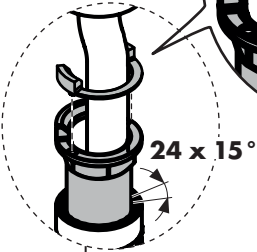
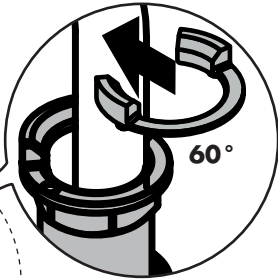
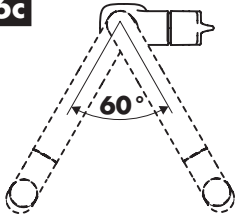


6b



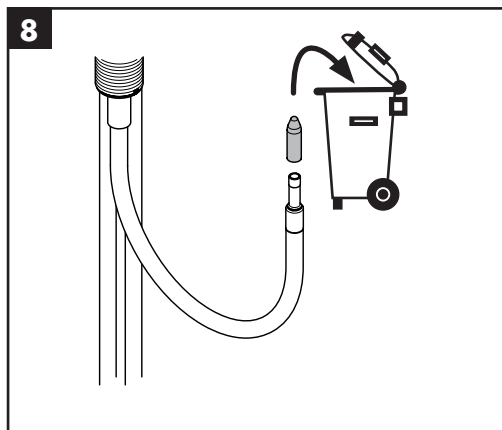
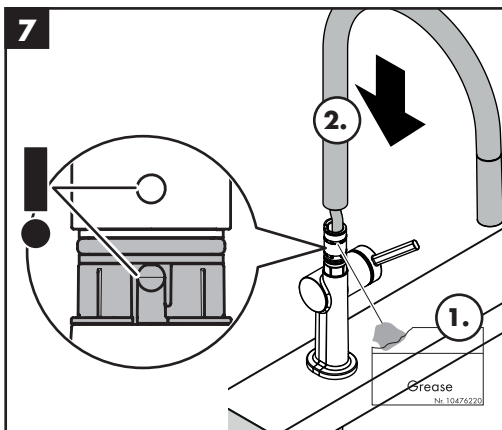
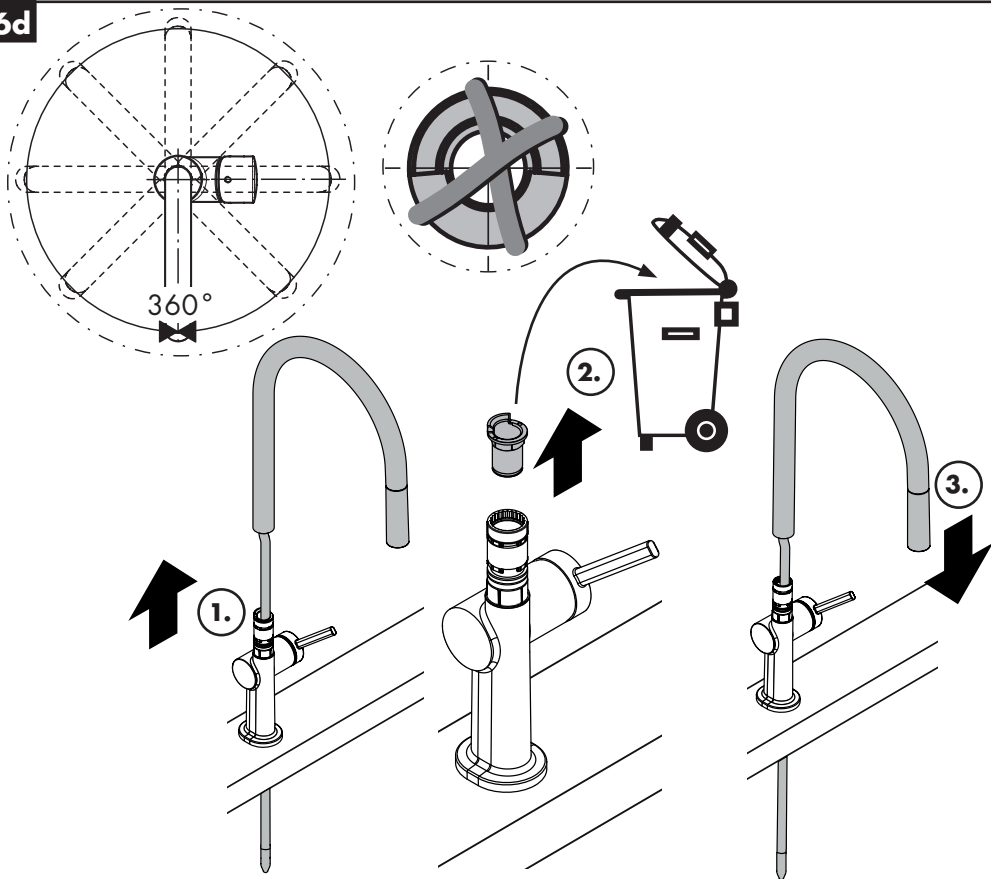


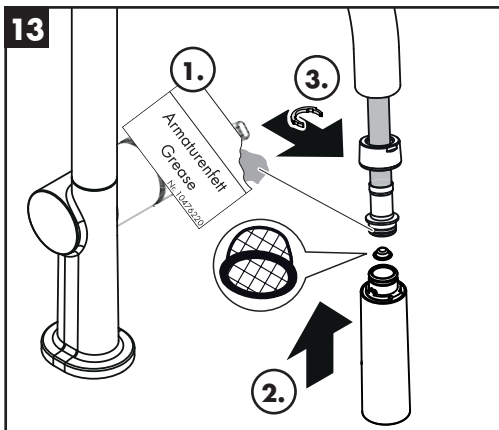
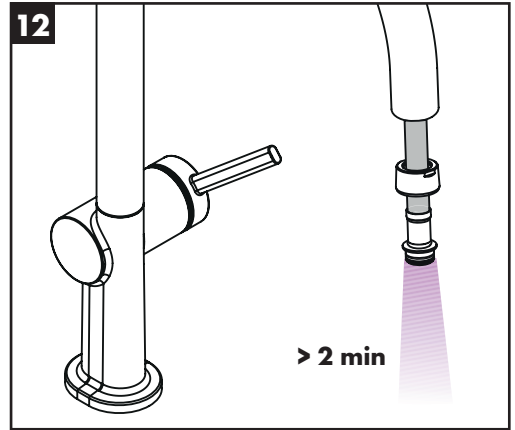
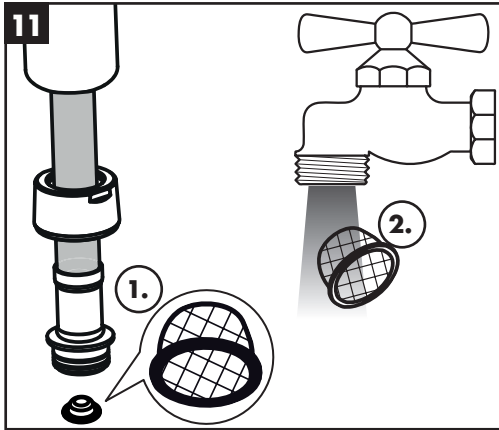
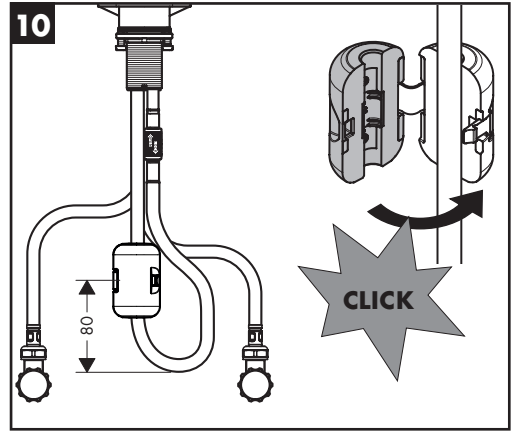
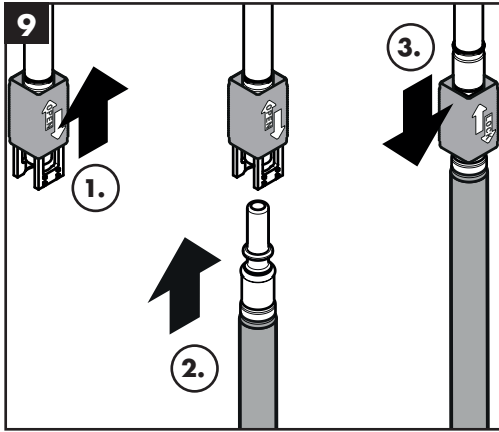
6c





6d







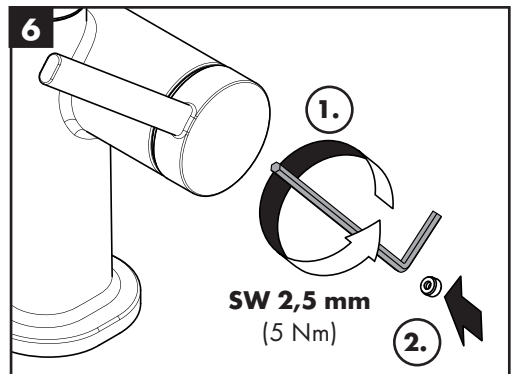
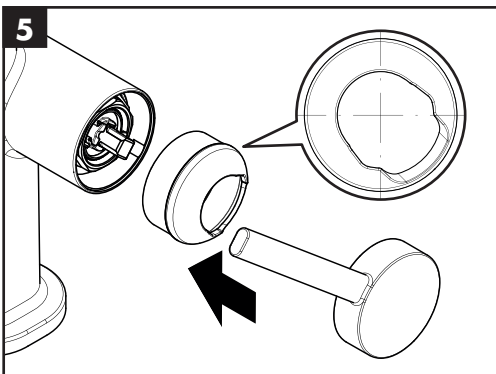
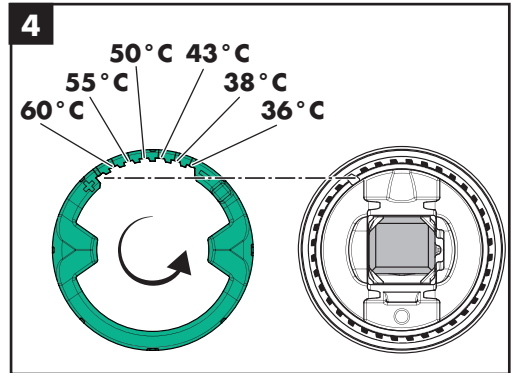
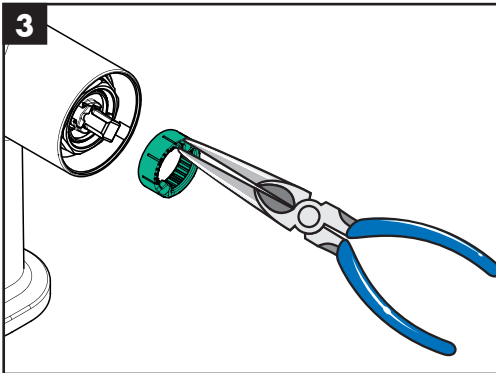
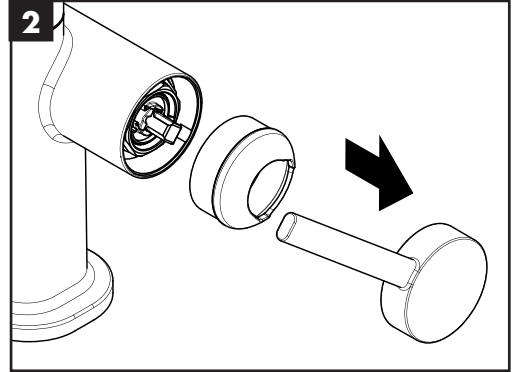
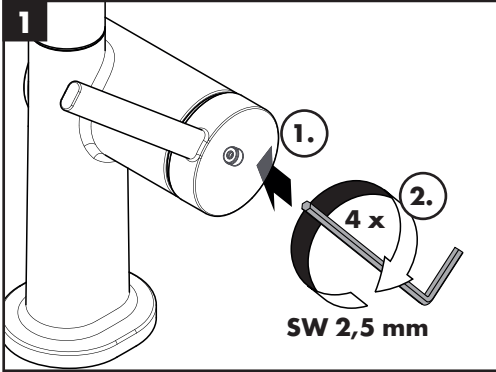
60 °C



10 °C



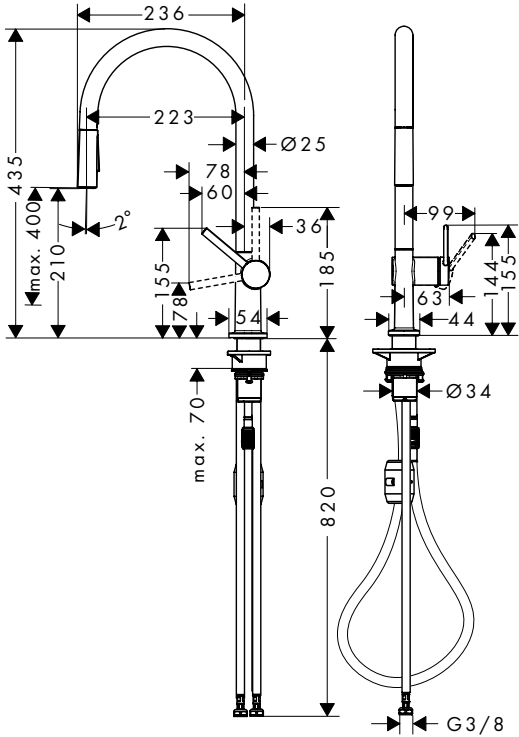
0,3 MPa





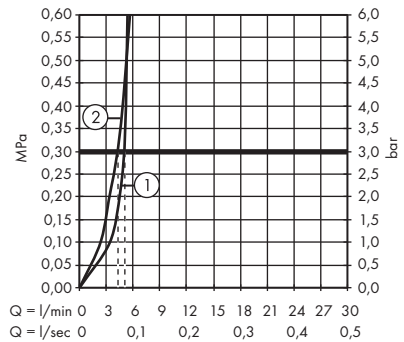
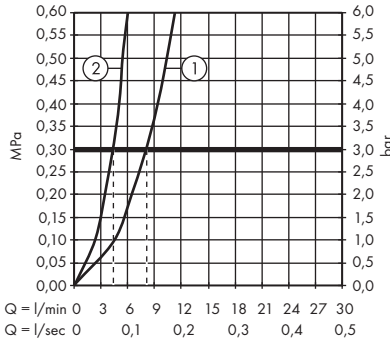
Talis M54 210 2jet
72800XXX

Talis M54 210 Eco 2jet
72842XXX



Talis M54 210 2jet
72800XXX

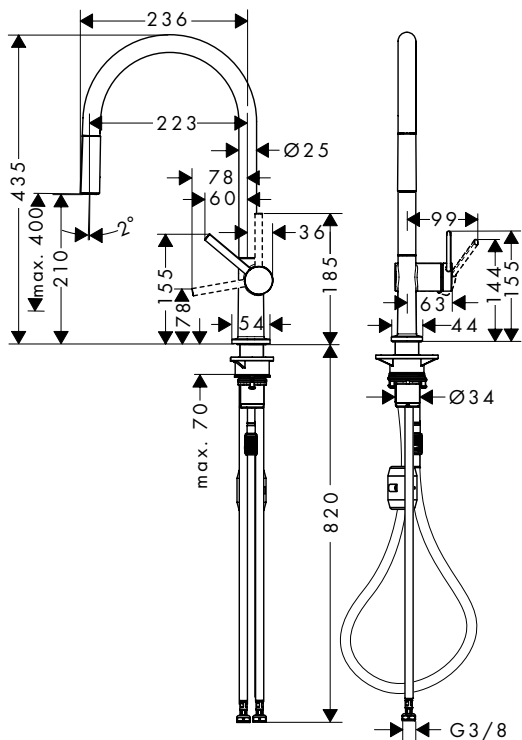
Talis M54 210 Eco 2jet
72842XXX





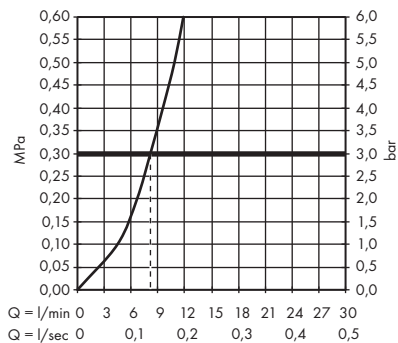
Talis M54 210 1jet

72802XXX



Talis M54 210 1jet

72802XXX



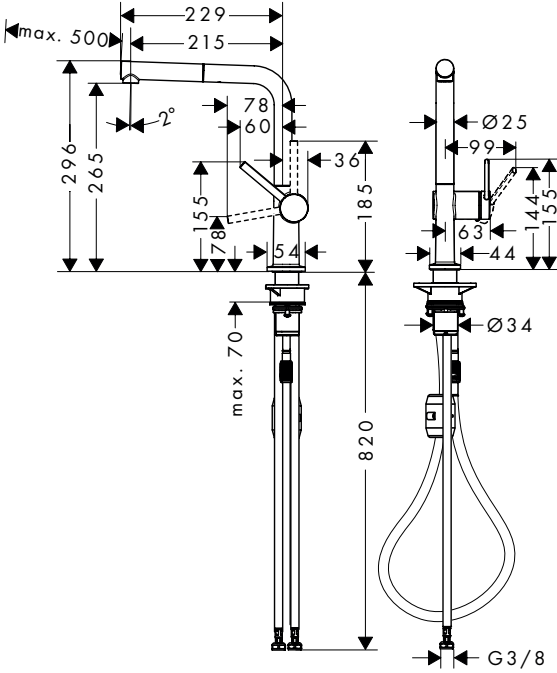


Talis M54 270 Ijet

72808XXX

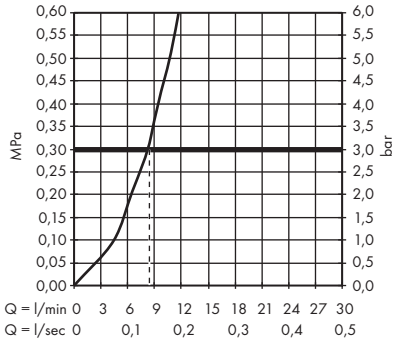
Talis M54 270 Eco Ijet

72845XXX



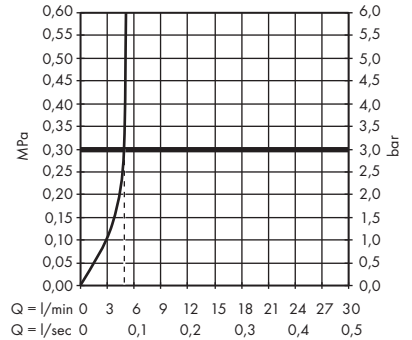
Talis M54 270 Ijet

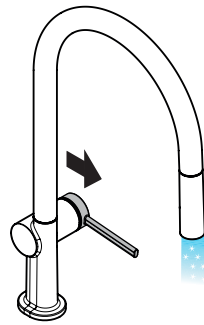
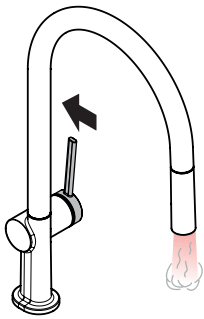
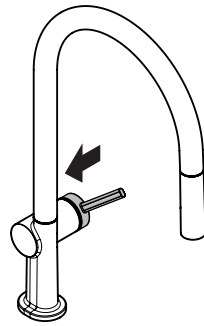
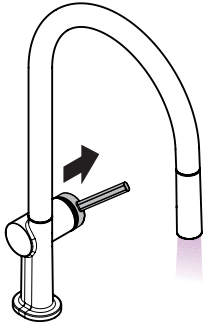
72808XXX



Talis M54 270 Eco Ijet

72845XXX



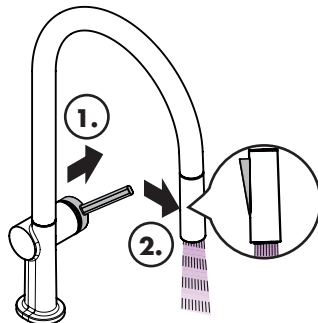


Talis M54 210 2jet

72800XXX

Talis M54 210 Eco 2jet

72842XXX



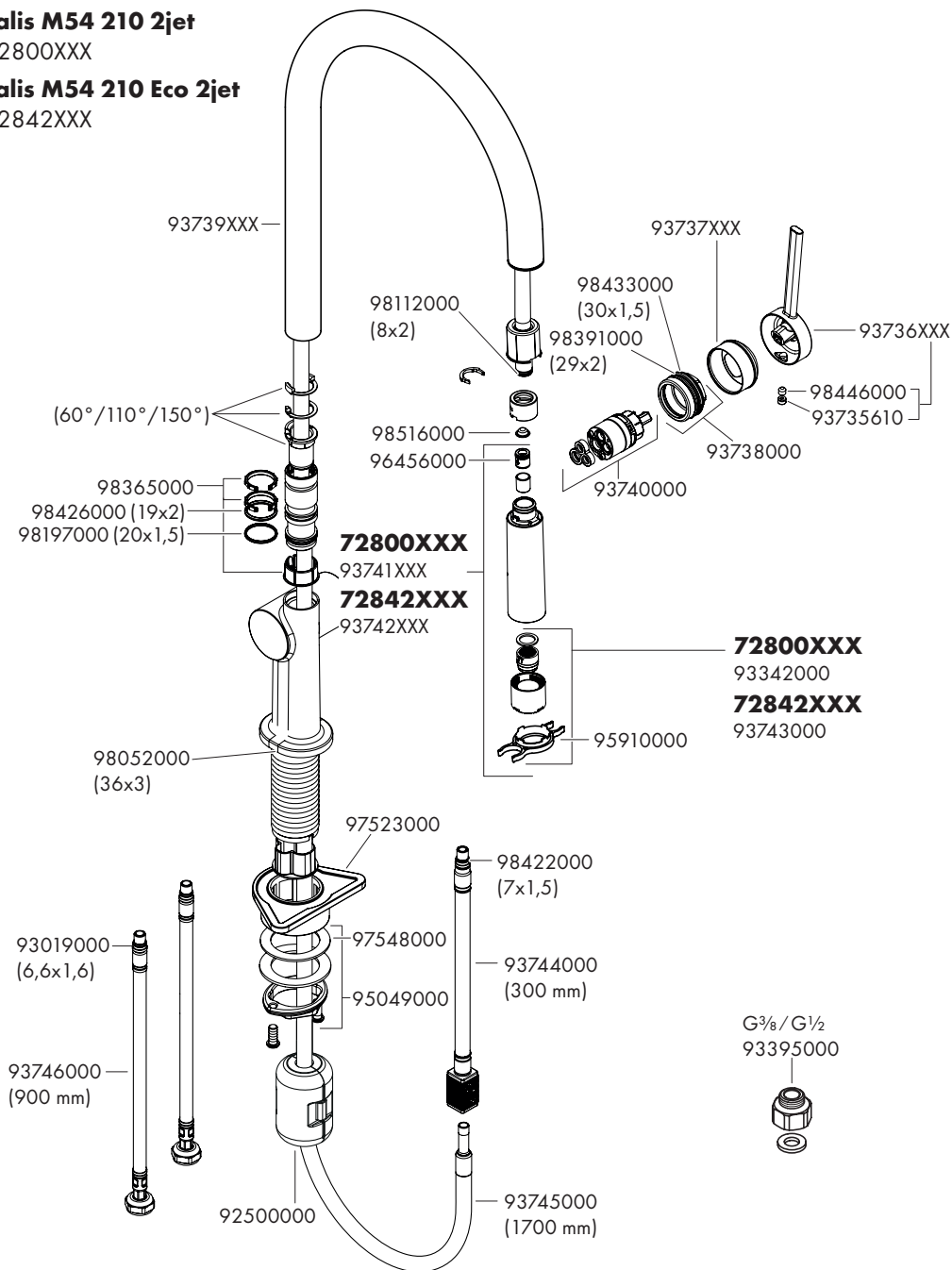


Talis M54 210 2jet

72800XXX

Talis M54 210 Eco 2jet

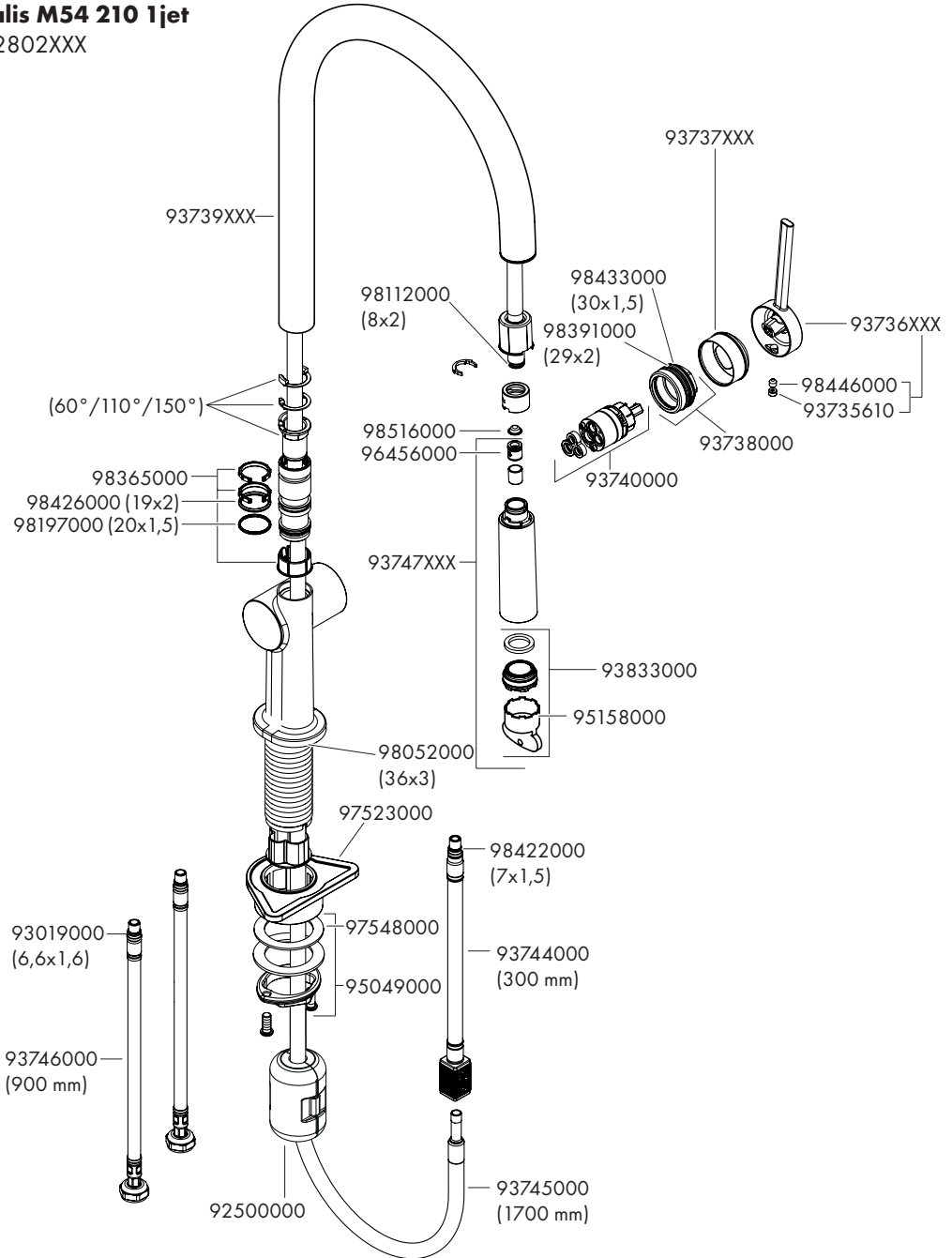
72842XXX





Talis M54 210 1jet

72802XXX





Talis M54 270 1jet

72808XXX

Talis M54 270 Eco 1jet

72845XXX

