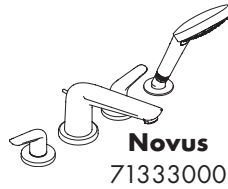
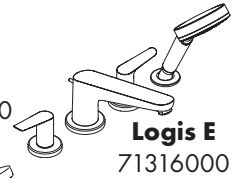
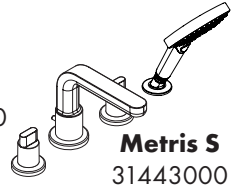


EN Instructions for use / assembly instructions





Safety Notes

- △ Gloves should be worn during installation to prevent crushing and cutting injuries.
- △ The product may only be used for bathing, hygienic and body cleaning purposes.
- △ Do not allow the streams of the shower touch sensitive body parts (such as your eyes). An adequate distance must be kept between the shower and you.
- △ The hot and cold supplies must be of equal pressures.
- △ The product may not be used as a holding handle. A separate handle must be installed.



Spare parts (see page 38)

XXX = Colors
 000 = Chrome Plated
 140 = Brushed Bronze
 340 = Brushed Black Chrome
 670 = Matt Black
 700 = Matt White
 990 = Polished Gold-Optic



Cleaning (see page 44)



Operation (see page 43)



Test certificate (see page 48)

Installation Instructions

- Prior to installation, inspect the product for transport damages. After it has been installed, no transport or surface damage will be honoured.
- The pipes and the fixture must be installed, flushed and tested as per the applicable standards.
- The plumbing codes applicable in the respective countries must be observed.

Technical Data

Operating pressure: max. 1 MPa
 Recommended operating pressure: 0,1 - 0,5 MPa
 Test pressure: 1,6 MPa
 (1 MPa = 10 bar = 147 PSI)

Hot water temperature: max. 60°C
 Thermal disinfection: 70°C / 4 min

- Safety against backflow
- The product is exclusively designed for drinking water!

Symbol description



Do not use silicone containing acetic acid!



Maintenance (see page 42)

The check valves must be checked regularly according to EN 806-5 in accordance with national or regional regulations (at least once a year).



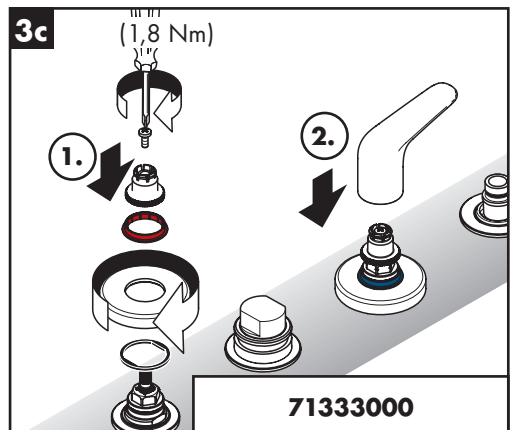
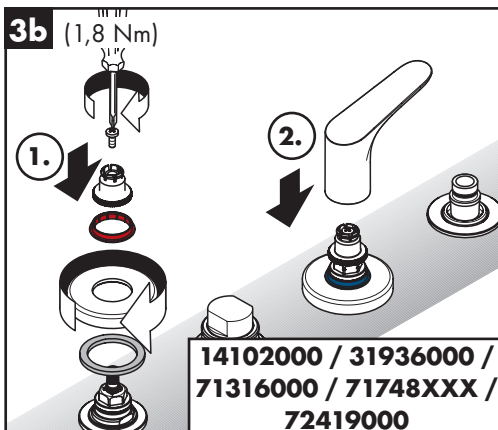
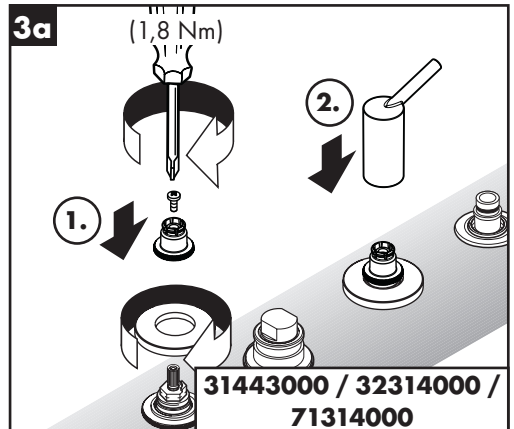
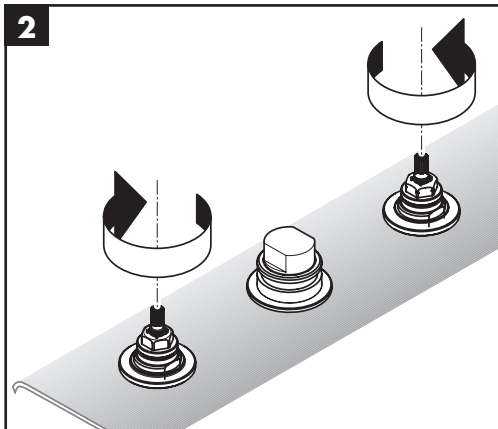
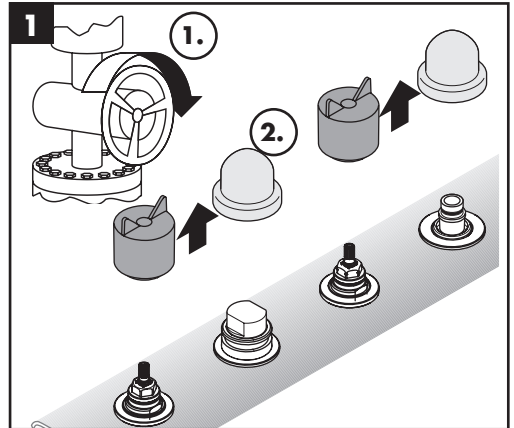
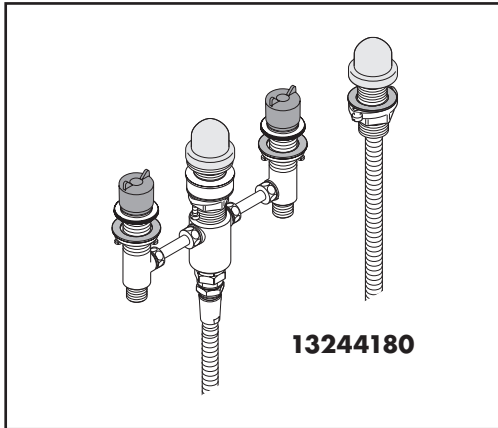
Dimensions (see page 34)

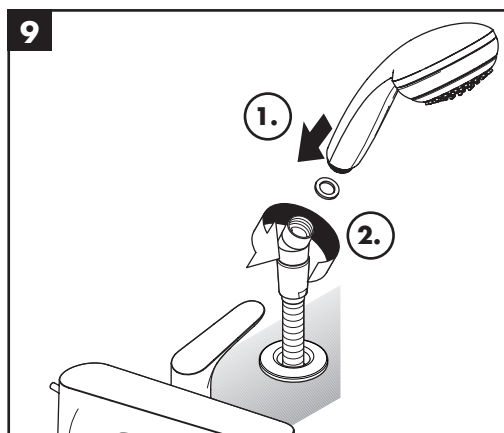
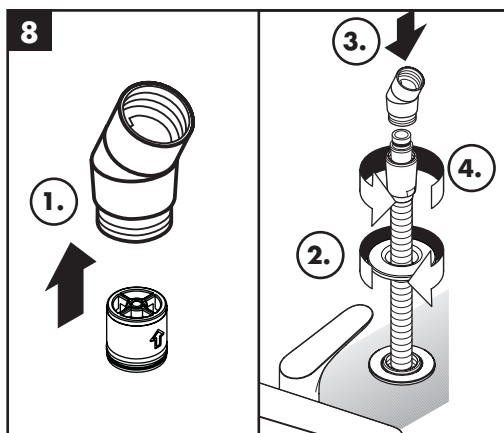
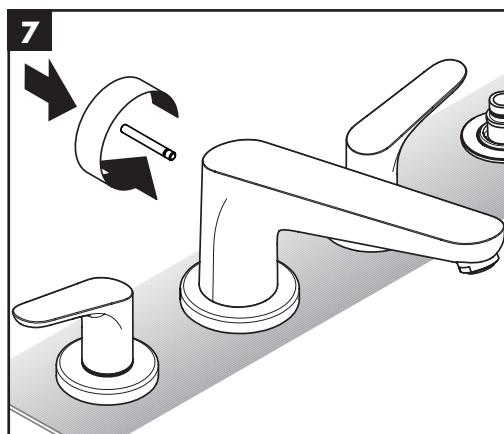
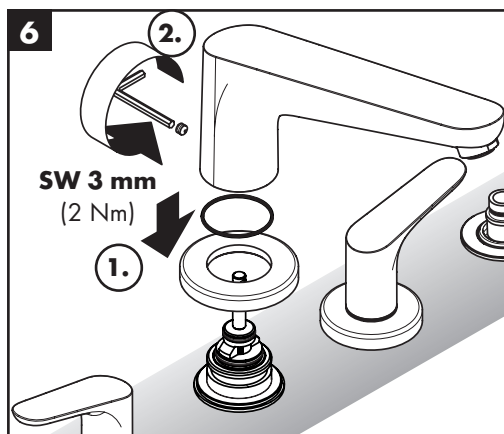
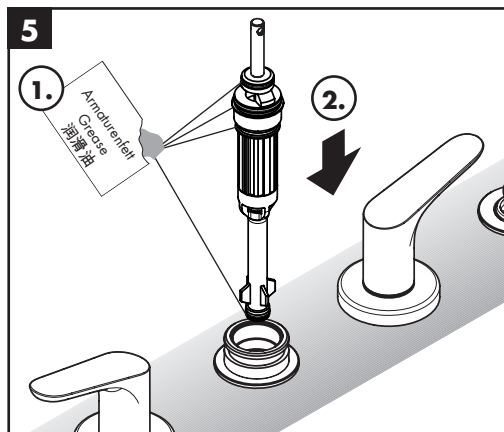
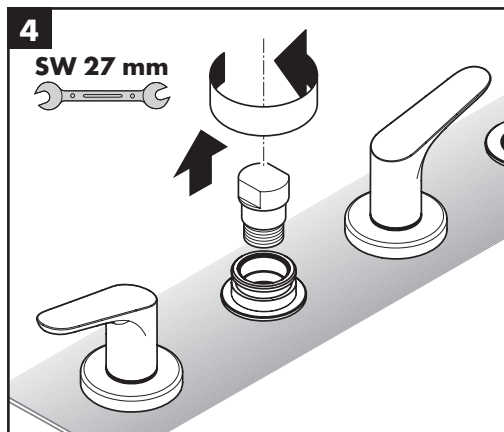


Flow diagram (see page 37)

- ① Hand shower
- ② Bath Spout

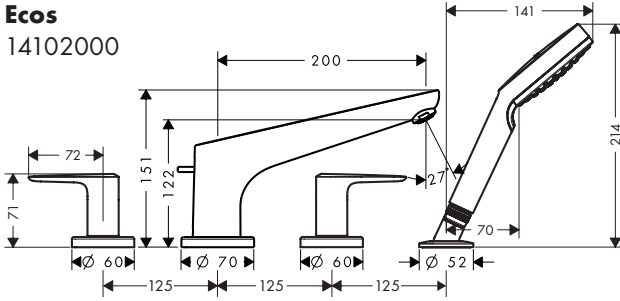




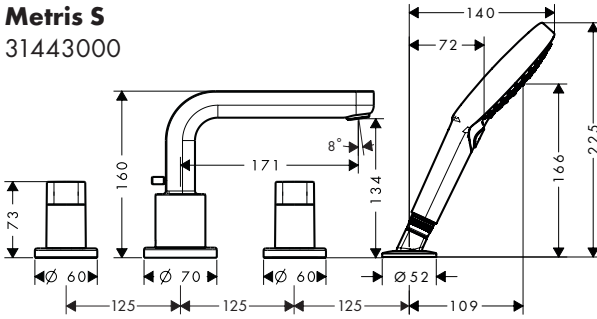




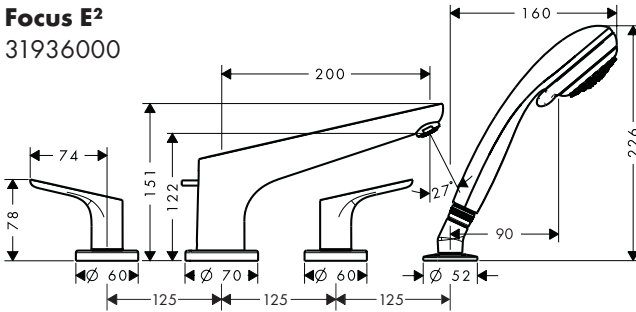
Ecos
14102000



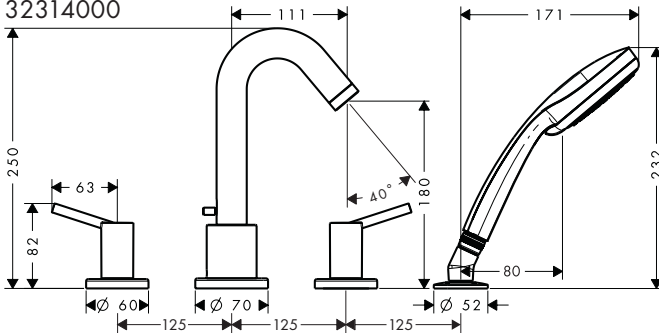
Metris S
31443000



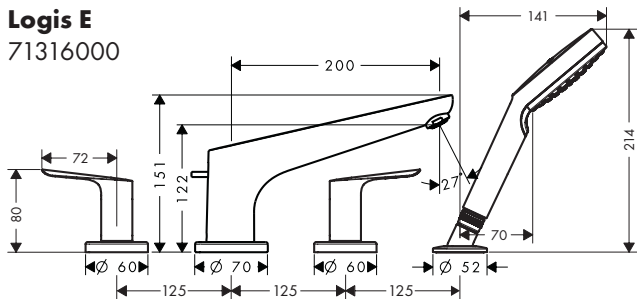
Focus E²
31936000



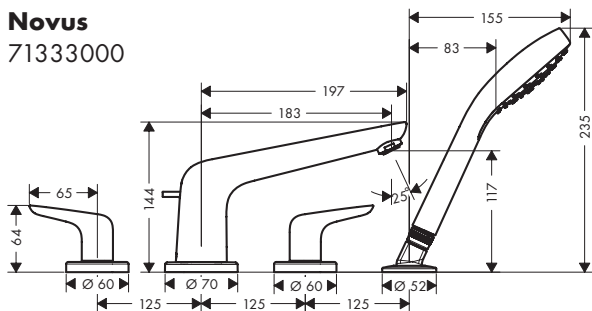
Talis S
32314000



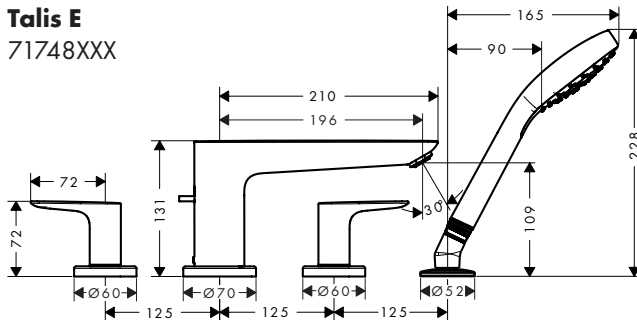
Logis E
71316000



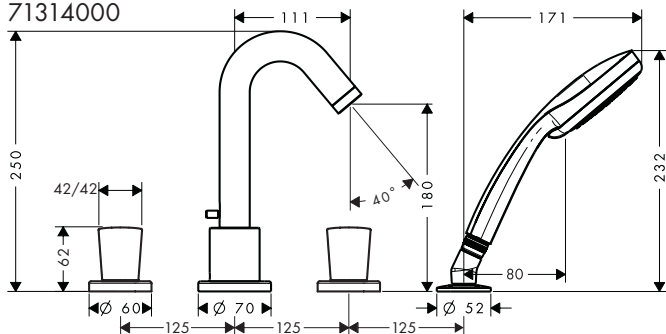
Novus
71333000

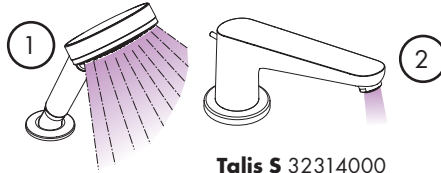


Talis E
71748XXX

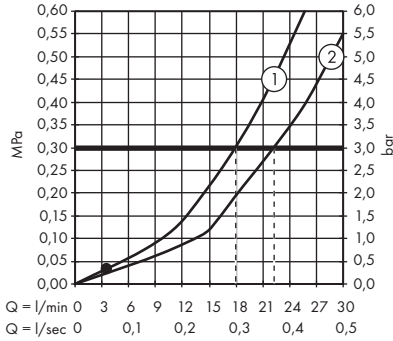


Logis
71314000

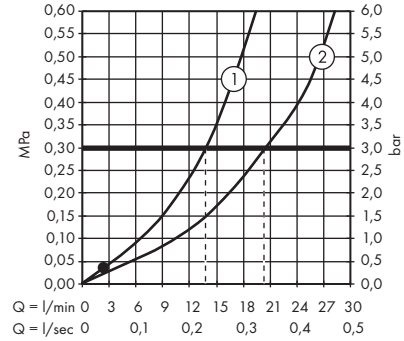




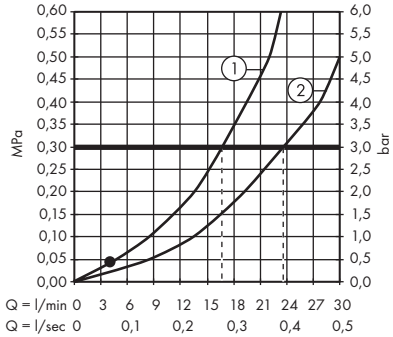
Metris S 31443000
Focus E² 31936000



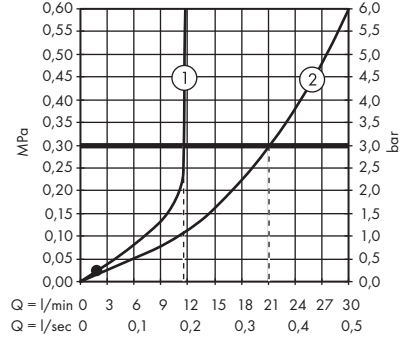
Talis S 32314000
Logis 71314000



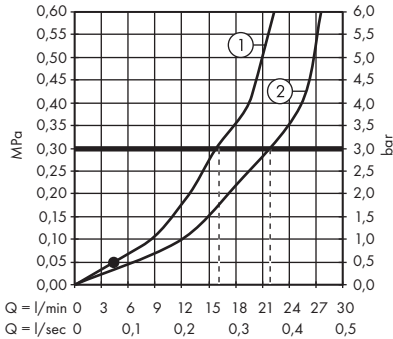
Talis E 71748XXX
Talis S 72419000



Ecos 14102000
Logis E 71316000

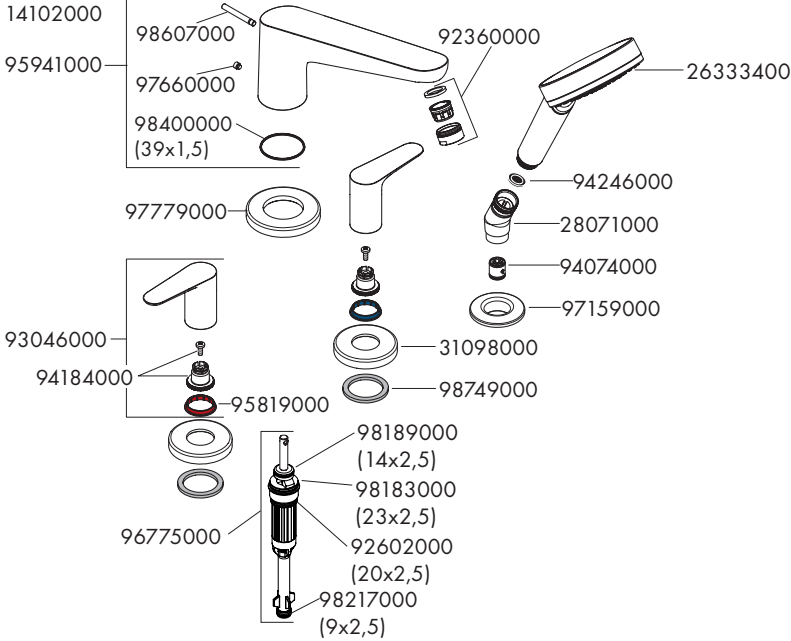


Novus 71333000



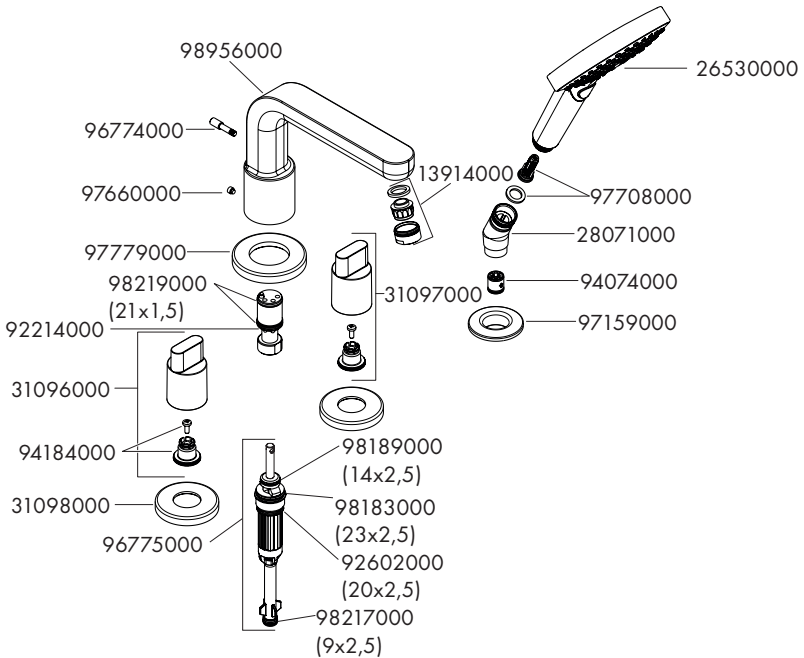


Ecos



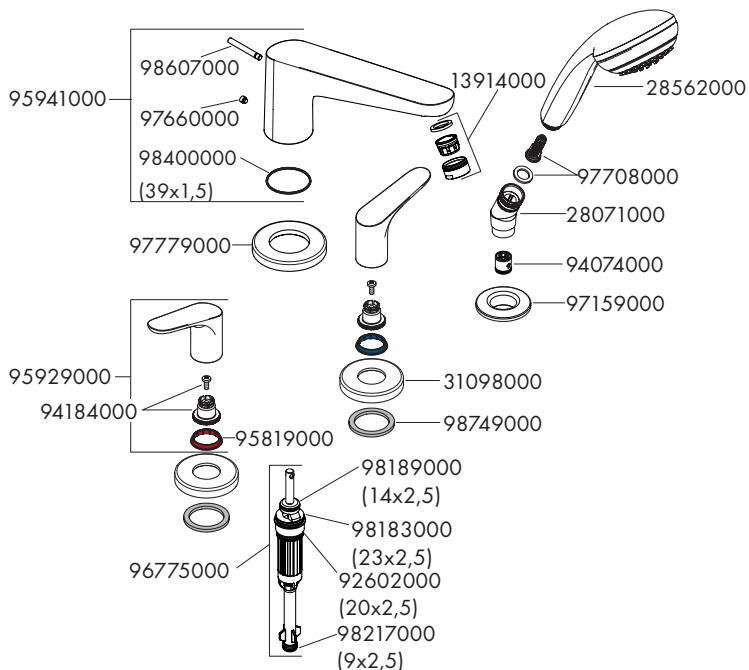
Metris S

31443000

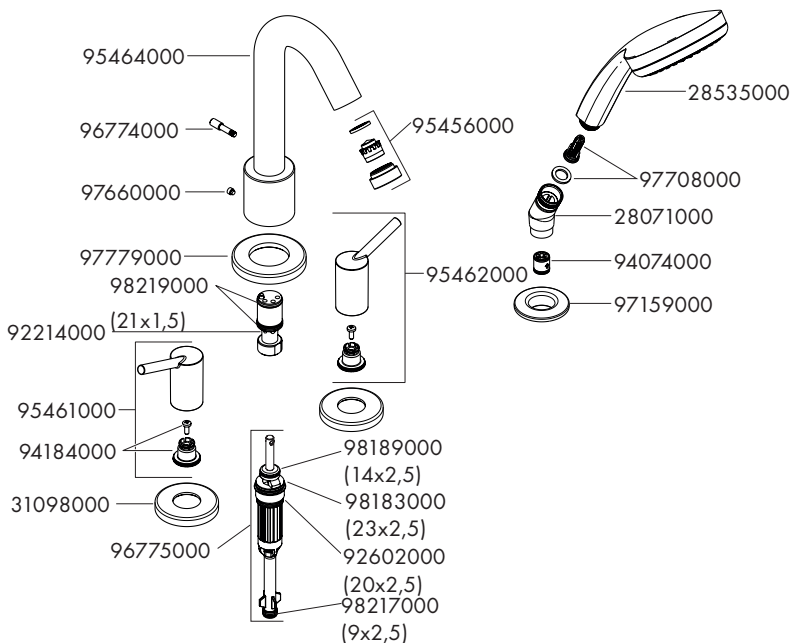




Focus E²
31936000



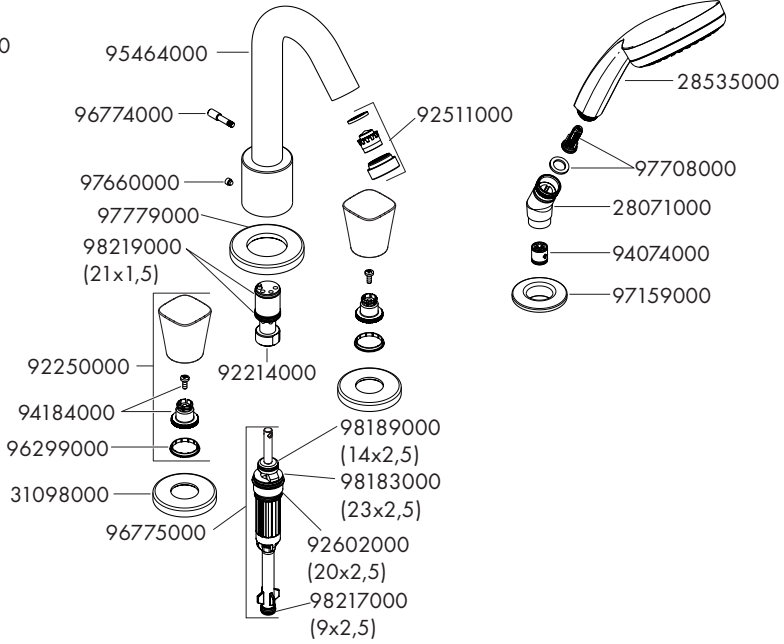
Talis S
32314000





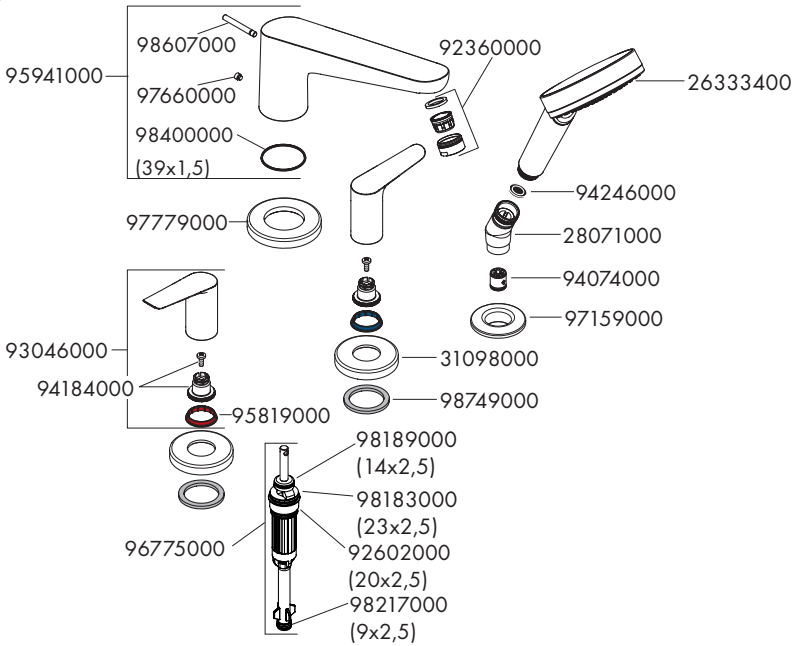
Logis

71314000



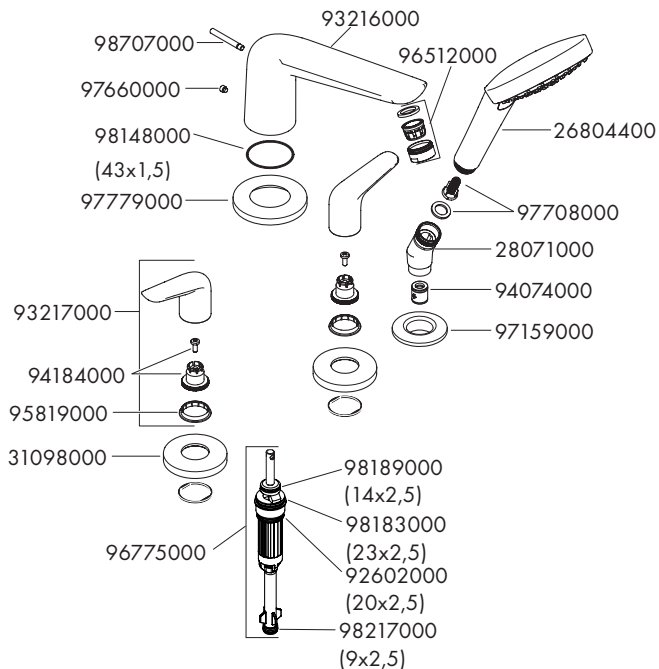
Logis E

71316000

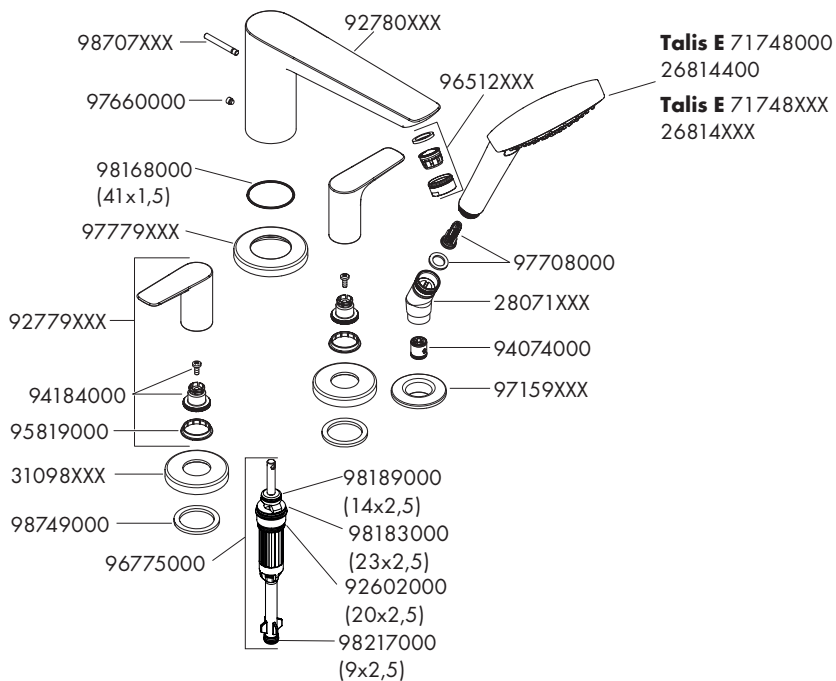




Novus
71333000



Talis E
71748XXX





Talis S
72419000

