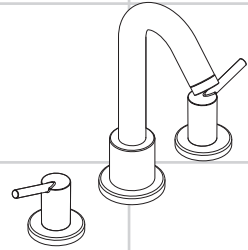
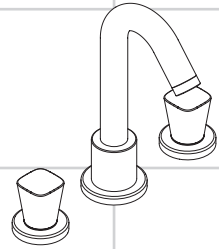


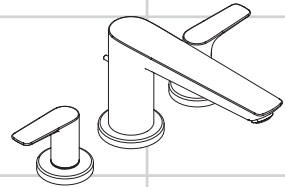
EN Instructions for use / assembly instructions



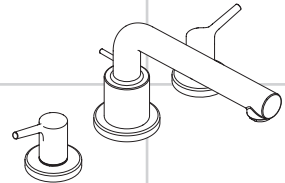
Talis S
32313000



Logis
71300000



Talis E
71747000



Talis S
72415000



Safety Notes

- ⚠ Gloves should be worn during installation to prevent crushing and cutting injuries.
- ⚠ The product may only be used for bathing, hygienic and body cleaning purposes.
- ⚠ The hot and cold supplies must be of equal pressures.
- ⚠ The product may not be used as a holding handle. A separate handle must be installed.

Installation Instructions

- Prior to installation, inspect the product for transport damages. After it has been installed, no transport or surface damage will be honoured.
- The pipes and the fixture must be installed, flushed and tested as per the applicable standards.
- The plumbing codes applicable in the respective countries must be observed.

Technical Data

Operating pressure:	max. 1 MPa
Recommended operating pressure:	0,1 - 0,5 MPa
Test pressure:	1,6 MPa
(1 MPa = 10 bar = 147 PSI)	
Hot water temperature:	max. 70 °C
Recommended hot water temp.:	65 °C
Thermal disinfection:	max. 70 °C / 4 min

The product is exclusively designed for drinking water!

Symbol description



Do not use silicone containing acetic acid!



Dimensions (see page 33)



Flow diagram

(see page 33)



Operation (see page 34)



Spare parts (see page 35)



Cleaning

see enclosed brochure

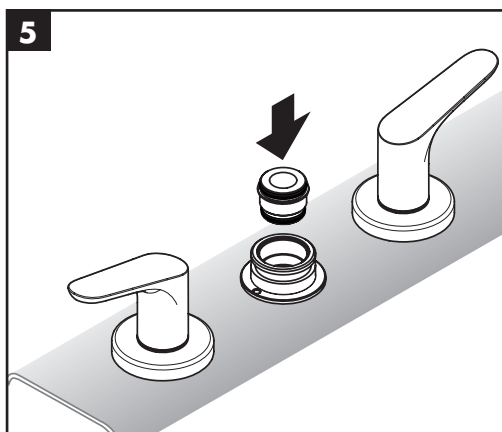
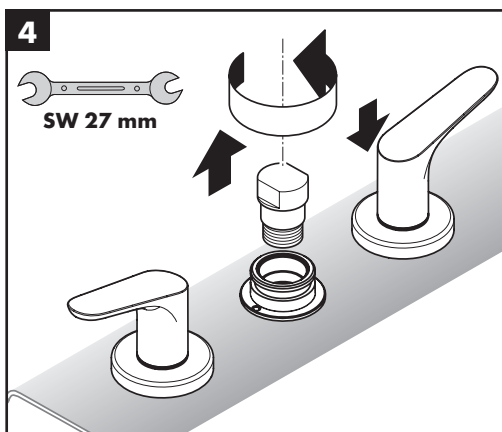
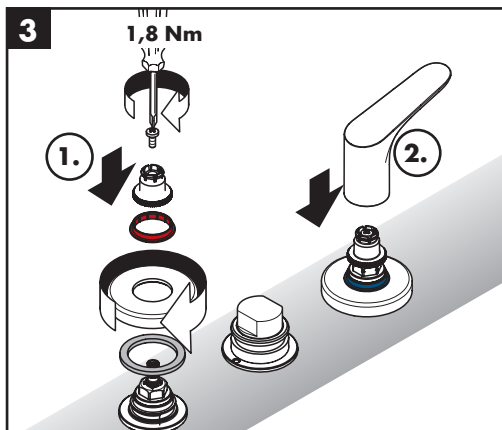
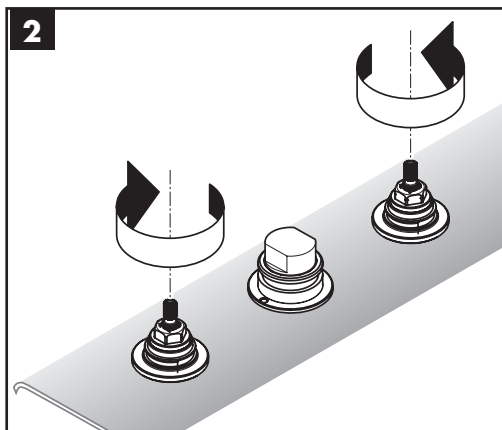
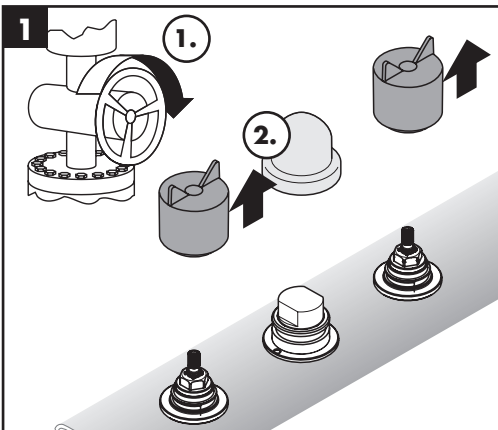
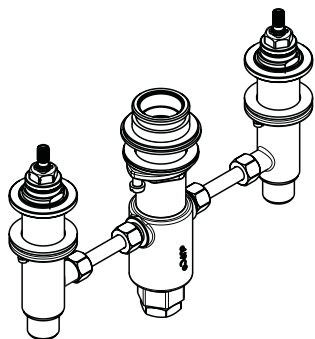


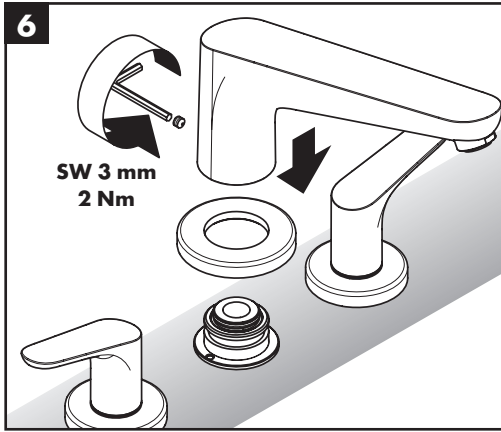
Test certificate (see page 36)

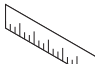




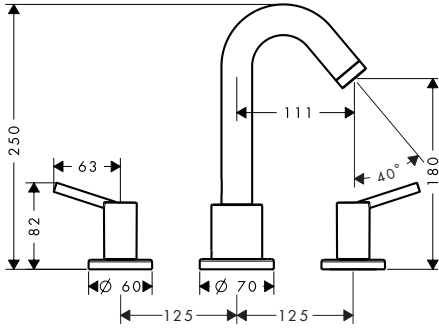
13233180



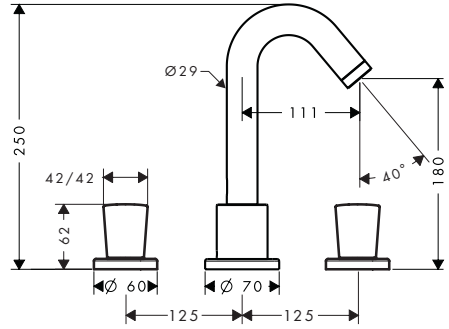




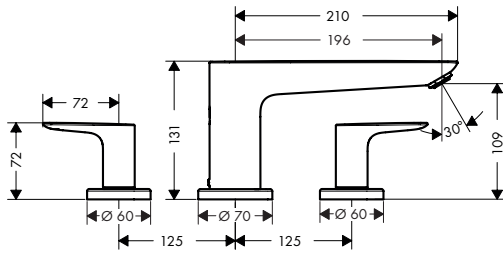
Talis S 32313000



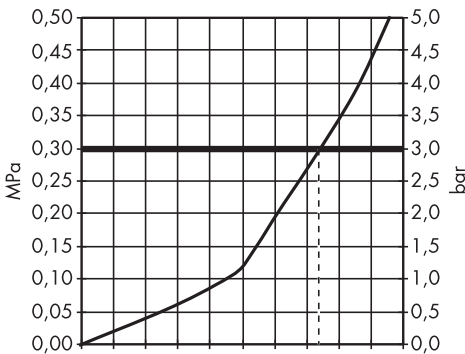
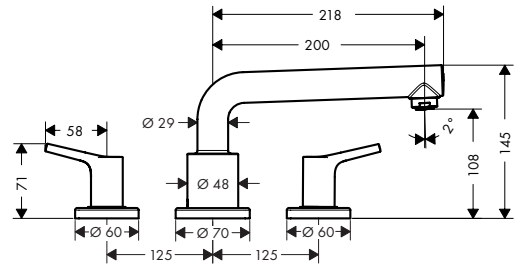
Logis 71300000



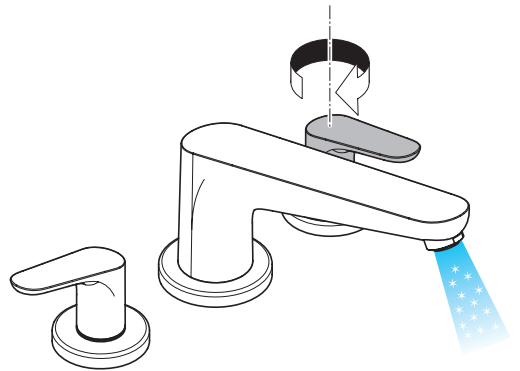
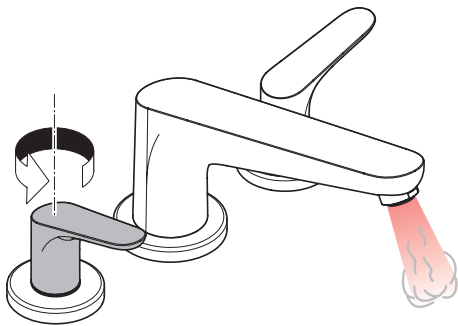
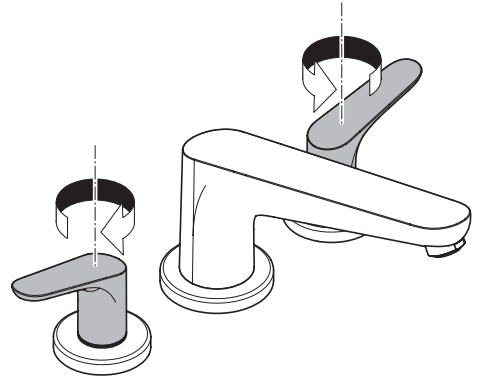
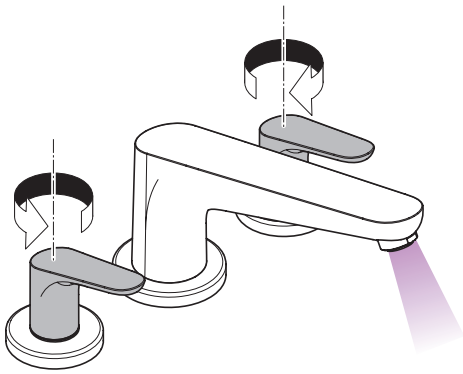
Talis E 71747000



Talis S 72415000

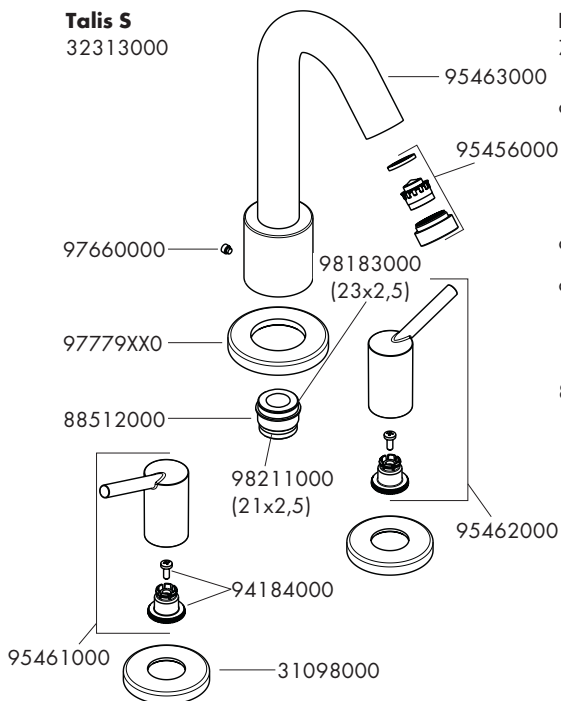


Q = l/min 0 3 6 9 12 15 18 21 24 27 30
 Q = l/sec 0 0,1 0,2 0,3 0,4 0,5

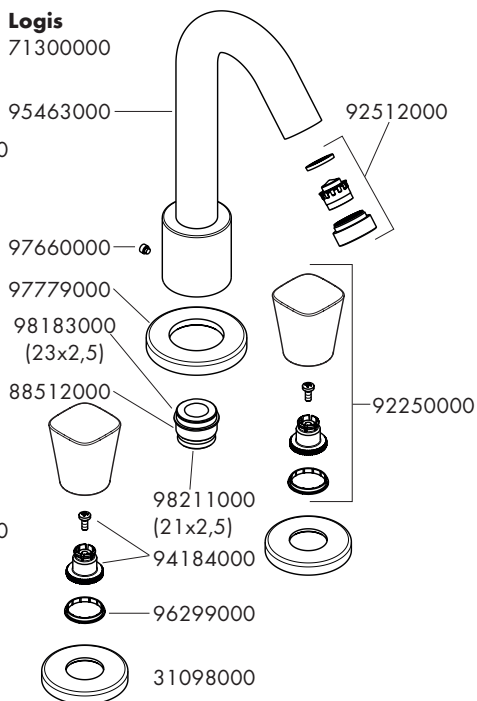




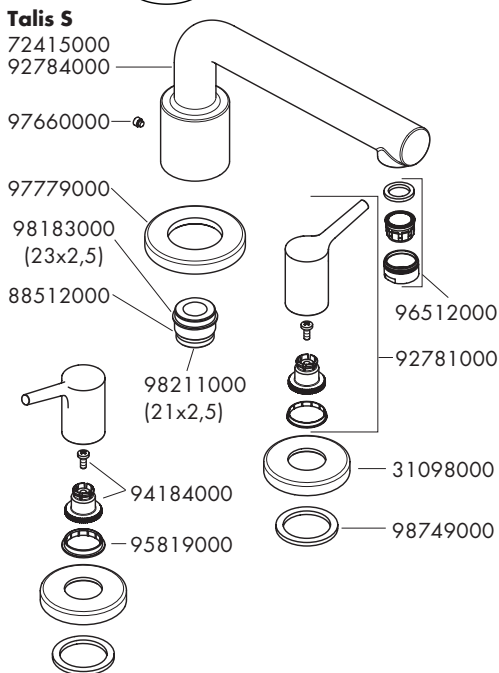
Talis S
32313000



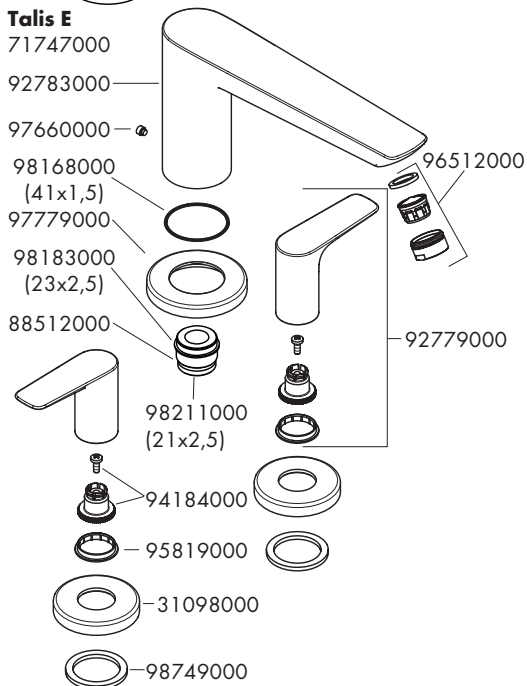
Logis
71300000



Talis S
72415000
92784000



Talis E
71747000



	P-IX	DVGW	SVGW	ACS	WRAS	ETA
3231 3000					X	
71300000					X	
71747000					X	
7241 5000					X	
