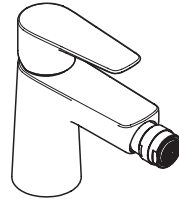
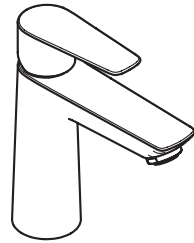


EN Instructions for use / assembly instructions



Talis E

71720XXX / 71721000

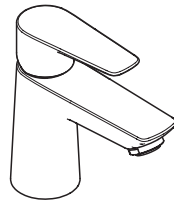


Talis E 110

71710XXX / 71711XXX / 71712XXX /
71715000 / 71783000 / 71784XXX /
71786XXX

Talis E 110 CoolStart

71713XXX / 71714000 / 71739000



Talis E 80

71700XXX / 71701000 / 71702XXX /
71705000 / 71782000 / 71785000

Talis E 80 CoolStart

71703000 / 71704000 / 71738000



Safety Notes

- △ Gloves should be worn during installation to prevent crushing and cutting injuries.
- △ The product may only be used for bathing, hygienic and body cleaning purposes.
- △ The hot and cold supplies must be of equal pressures.

Installation Instructions

- Prior to installation, inspect the product for transport damages. After it has been installed, no transport or surface damage will be honoured.
- The pipes and the fixture must be installed, flushed and tested as per the applicable standards.
- The plumbing codes applicable in the respective countries must be observed.
- The drain valve must only be used as intended. It is not allowed to attach other objects to the drain valve, for example a semi-pedestal.
- If the instantaneous water heater causes problems or if you wish to increase the water flow, the EcoSmart® (flow limiter) located behind the aerator can be removed.

Technical Data

This mixer series-produced with EcoSmart® (flow limiter)

Operating pressure:	max. 1 MPa
Recommended operating pressure:	0,1 - 0,5 MPa
Test pressure:	1,6 MPa (1 MPa = 10 bar = 147 PSI)
Hot water temperature:	max. 60°C
Thermal disinfection:	70°C / 4 min

The product is exclusively designed for drinking water!

Symbol description



Do not use silicone containing acetic acid!



Adjustment (see page 35)

To adjust the hot water limiter. Using a hot water limiter in combination with a continuous flow water heater is not recommended.



Dimensions (see page 37)



Flow diagram (see page 36)



Spare parts (see page 39)

XXX	= Colors
000	= Chrome Plated
140	= Brushed Bronze
330	= Polished Black Chrome
340	= Brushed Black Chrome
670	= Matt Black
700	= Matt White
930	= Polished Brass
950	= Brushed Brass
990	= Polished Gold-Optic

Special accessories (order as an extra)



- special tool #58085000 (see page 32)



- Installation putty (see page 33)



- seal #98996000 (see page 32)



Cleaning (see page 45)



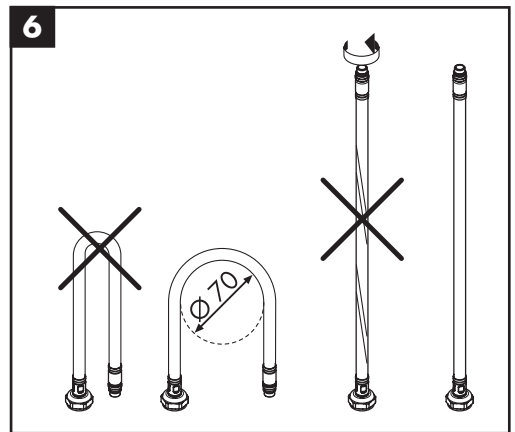
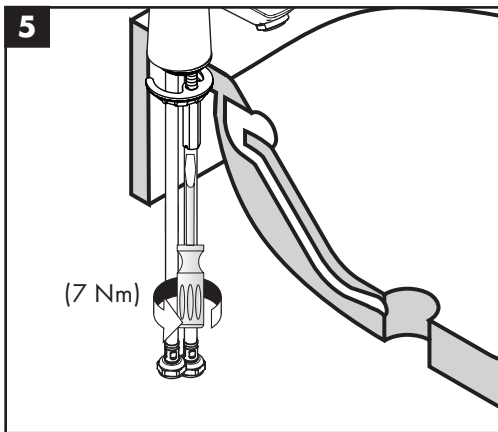
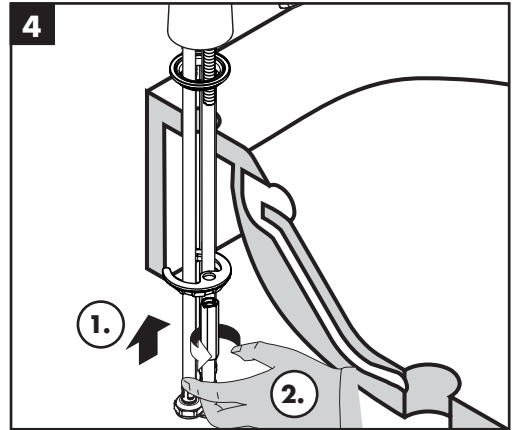
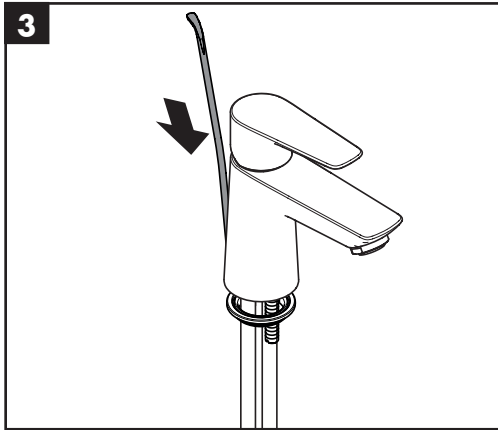
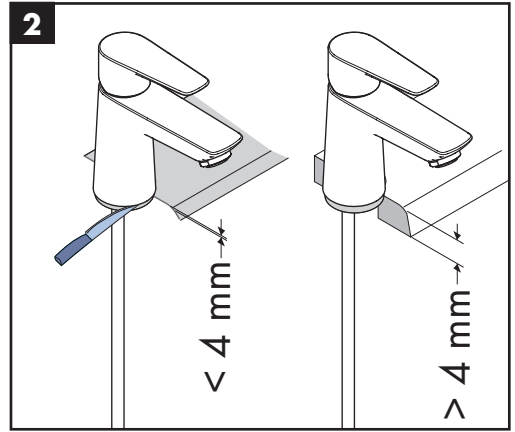
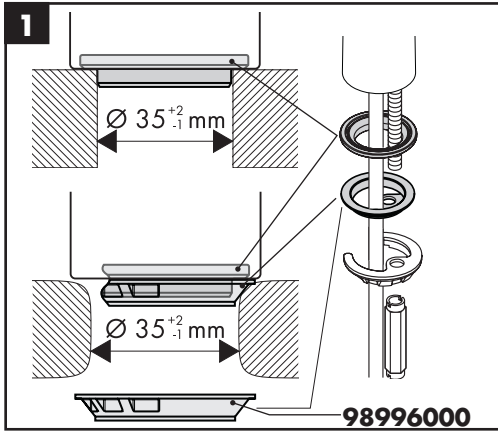
Operation (see page 43)

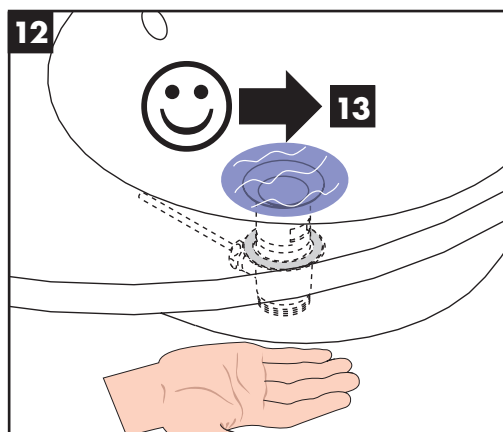
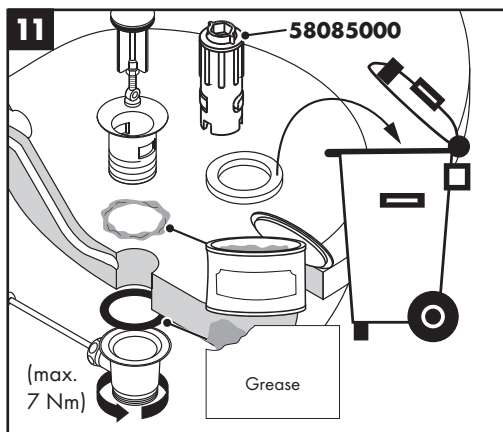
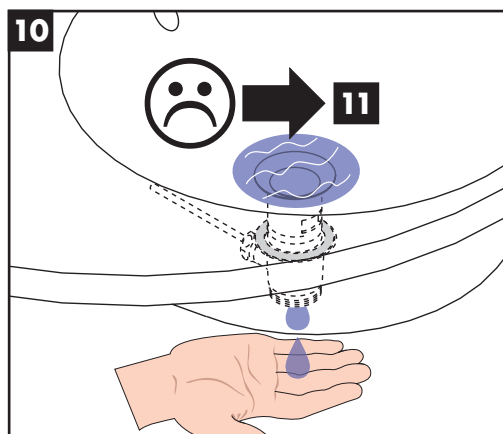
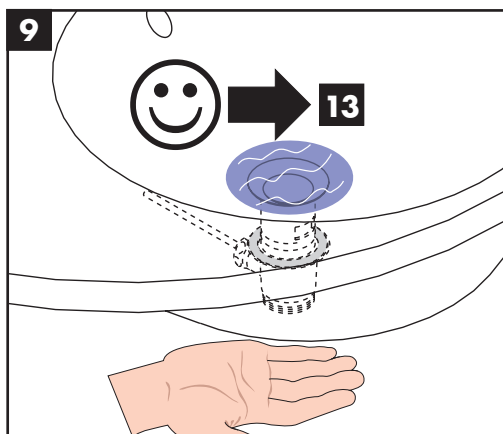
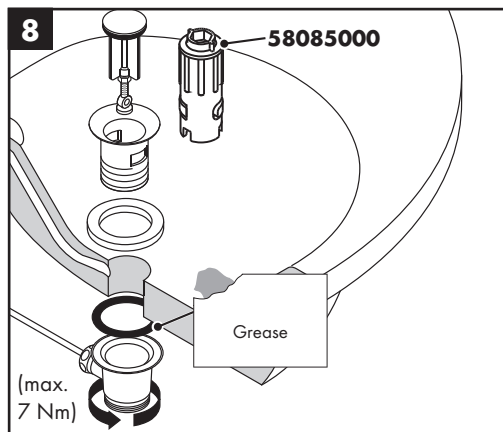
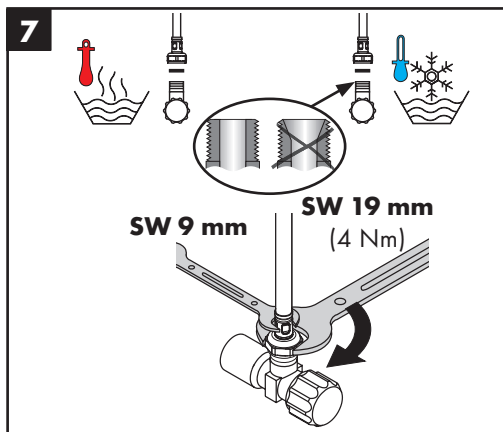
- Hansgrohe recommends not to use as drinking water the first half liter of water drawn in the morning or after a prolonged period of non-use.
- After periods of prolonged non-use, but at least every third day, the fittings must be opened with the handle in hot and cold position to prevent stagnation in the connecting lines. Let the water run until the water temperature is constant.

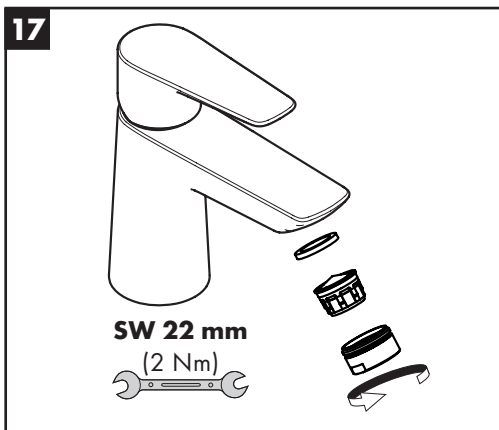
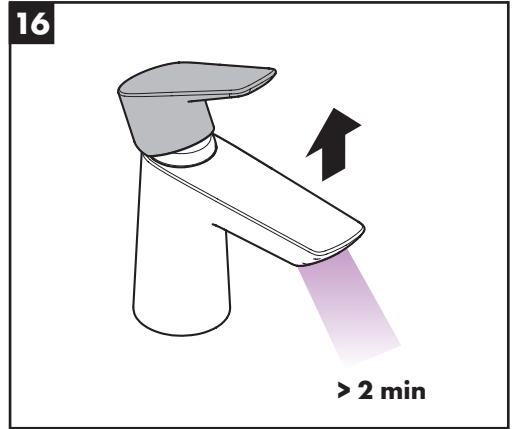
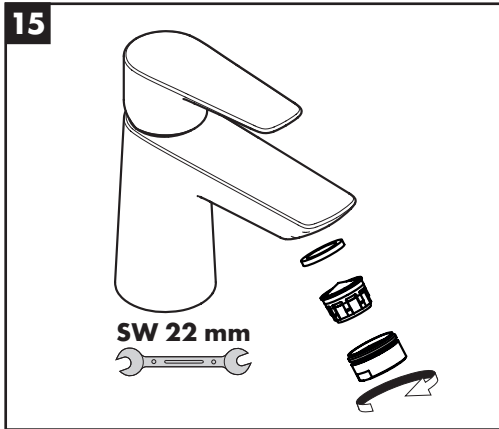
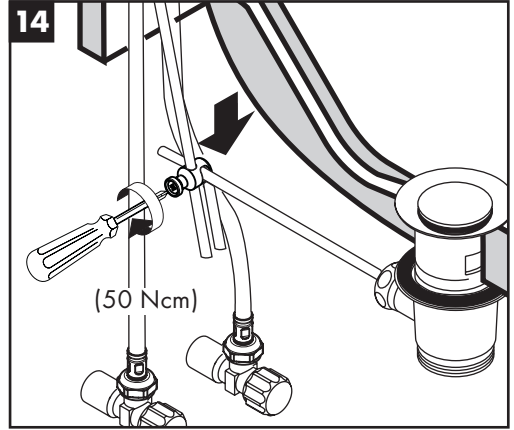
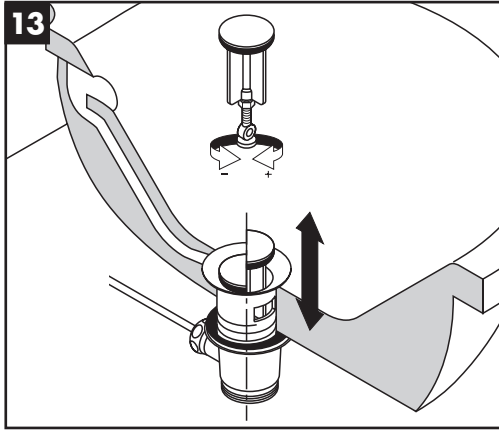


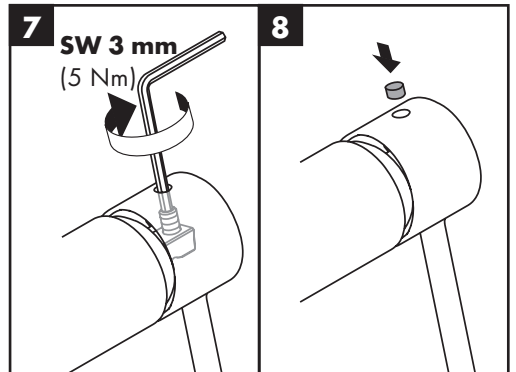
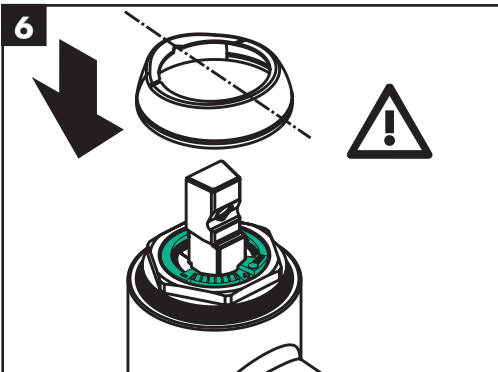
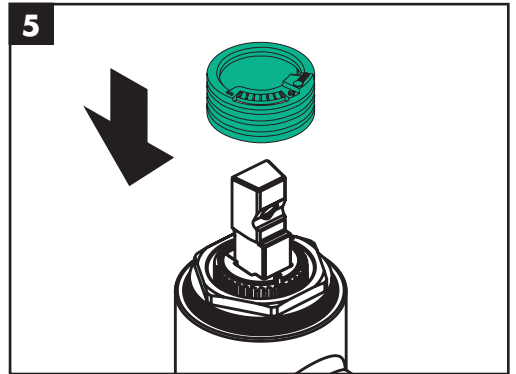
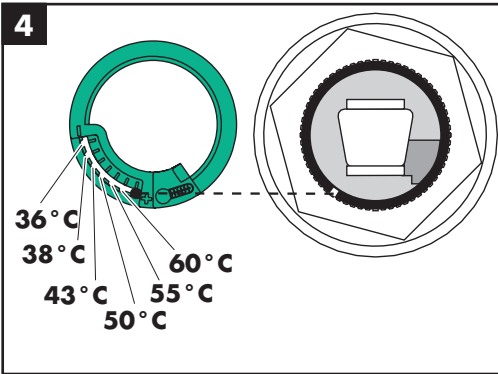
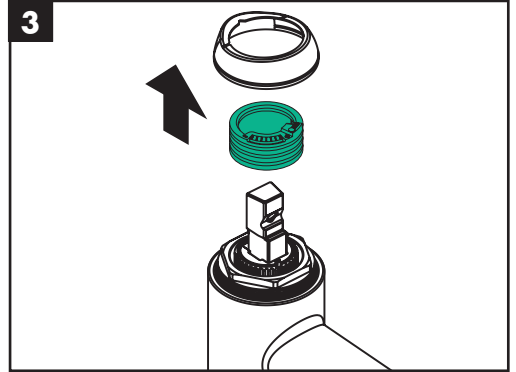
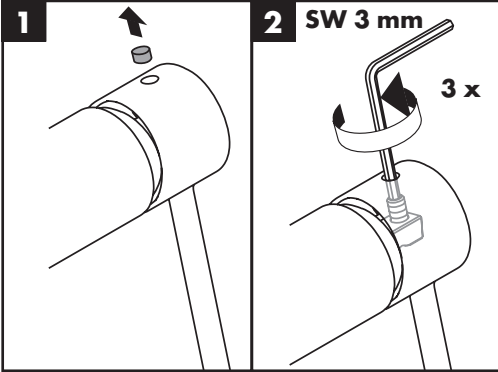
Test certificate (see page 48)













Talis E 80

71700XXX / 71701000 / 71702XXX /
71782000 / 71785000

Talis E 80 CoolStart

71703000 / 71704000 / 71738000

Talis E 110

71710XXX / 71711XXX / 71712XXX /
71783000 / 71784XXX / 71786XXX

Talis E 110 CoolStart

71713XXX / 71714000 / 71739000

Talis E

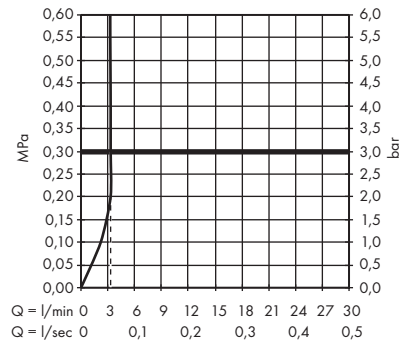
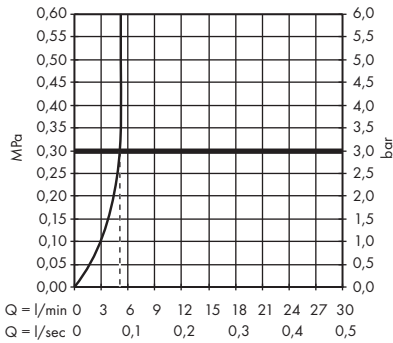
71720XXX / 71721000

Talis E 110

71715000

Talis E 80

71705000



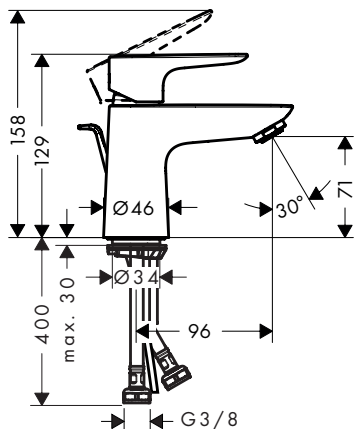


Talis E 80

71700XXX / 71701000 / 71702XXX /
71705000 / 71782000 / 71785000

Talis E 80 CoolStart

71703000 / 71704000 / 71738000

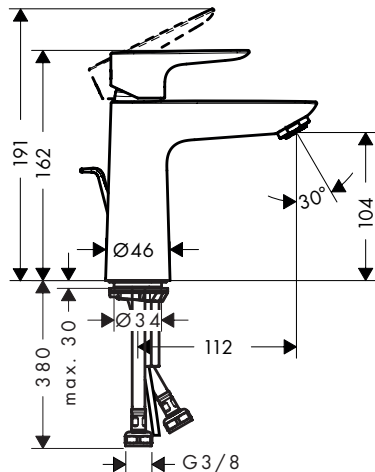


Talis E 110

71710XXX / 71711XXX / 71712XXX /
71715000 / 71783000 / 71784XXX /
71786XXX

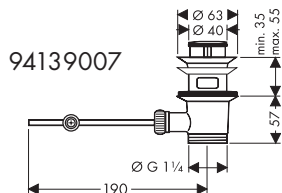
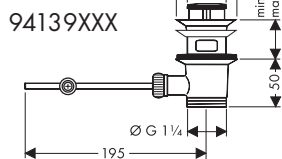
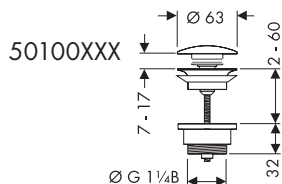
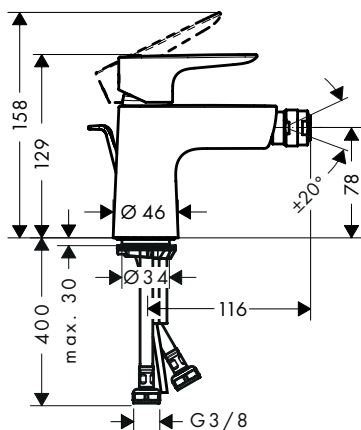
Talis E 110 CoolStart

71713XXX / 71714000 / 71739000



Talis E

71720XXX / 71721000





Talis E 80

71700XXX / 71701000 / 71702XXX /
71705000 / 71782000 / 71785000

Talis E 110

71710XXX / 71711XXX / 71712XXX /
71715000 / 71783000 / 71784XXX /
71786XXX

Talis E

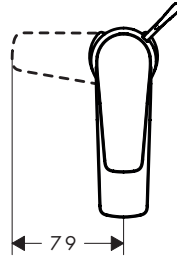
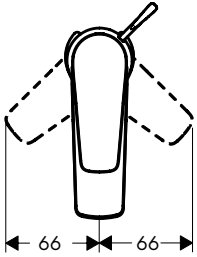
71720XXX / 71721000

Talis E 80 CoolStart

71703000 / 71704000 / 71738000

Talis E 110 CoolStart

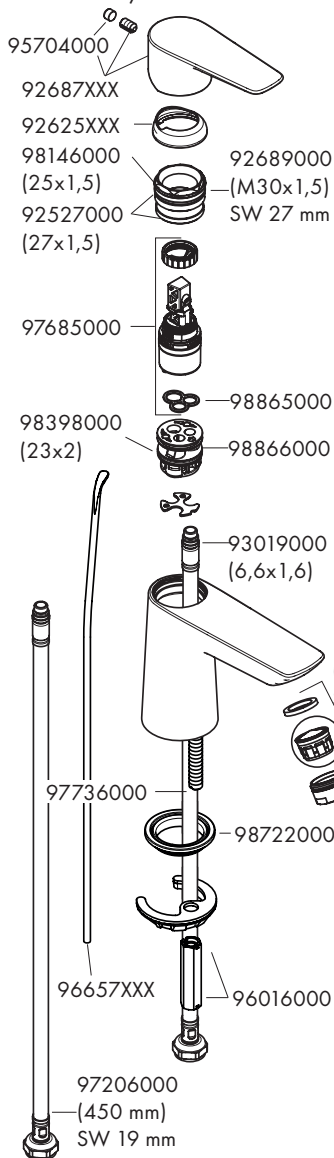
71713XXX / 71714000 / 71739000





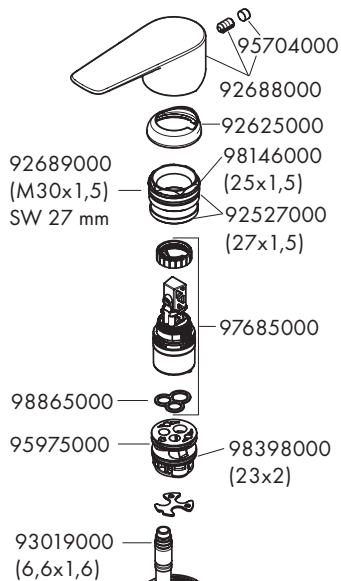
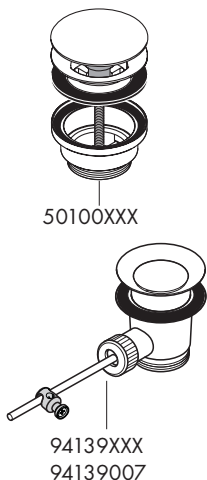
Talis E 80

71700XXX / 71701000 / 71702XXX /
71782000 / 71785000



Talis E 80 CoolStart

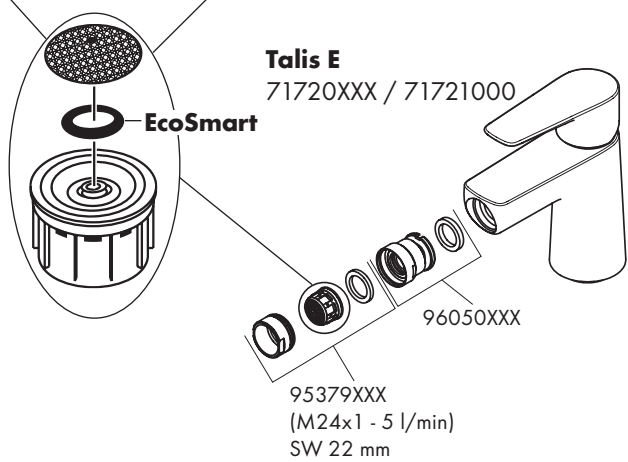
71703000 / 71704000 / 71738000



13185XXX (M24x1 - 5 l/min) SW 22 mm

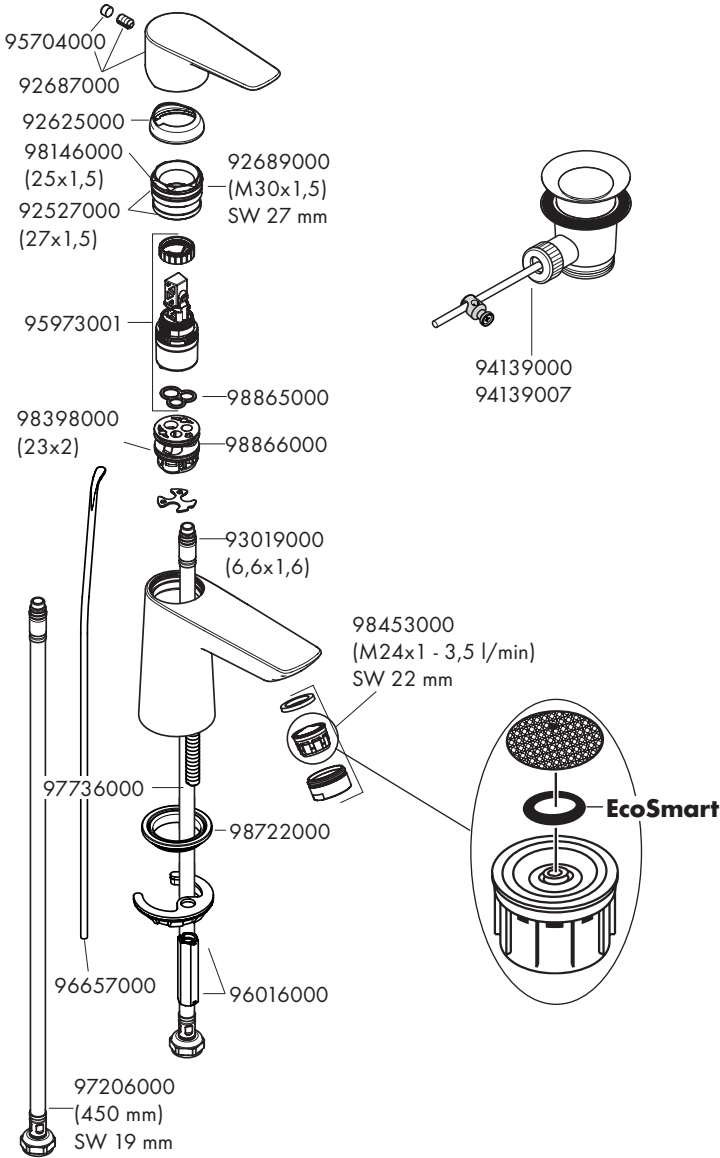
13185000 (M24x1 - 5 l/min) SW 22 mm

Talis E 71720XXX / 71721000





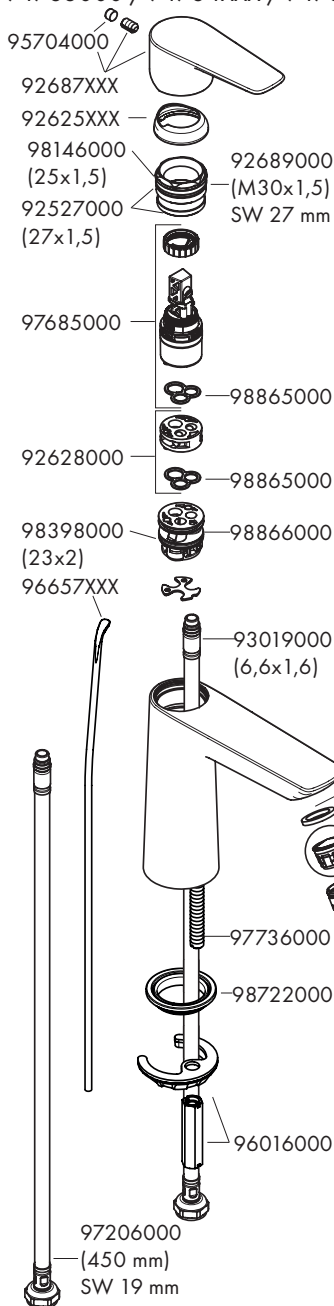
Talis E 80
71705000





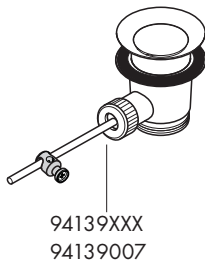
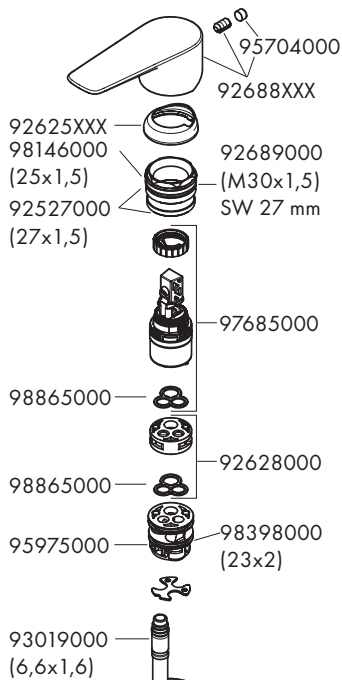
Talis E 110

71710XXX / 71711XXX / 71712XXX /
71783000 / 71784XXX / 71786XXX



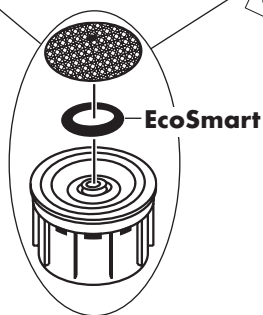
Talis E 110 CoolStart

71713XXX / 71714000 / 71739000



13185XXX
(M24x1 - 5 l/min)
SW 22 mm

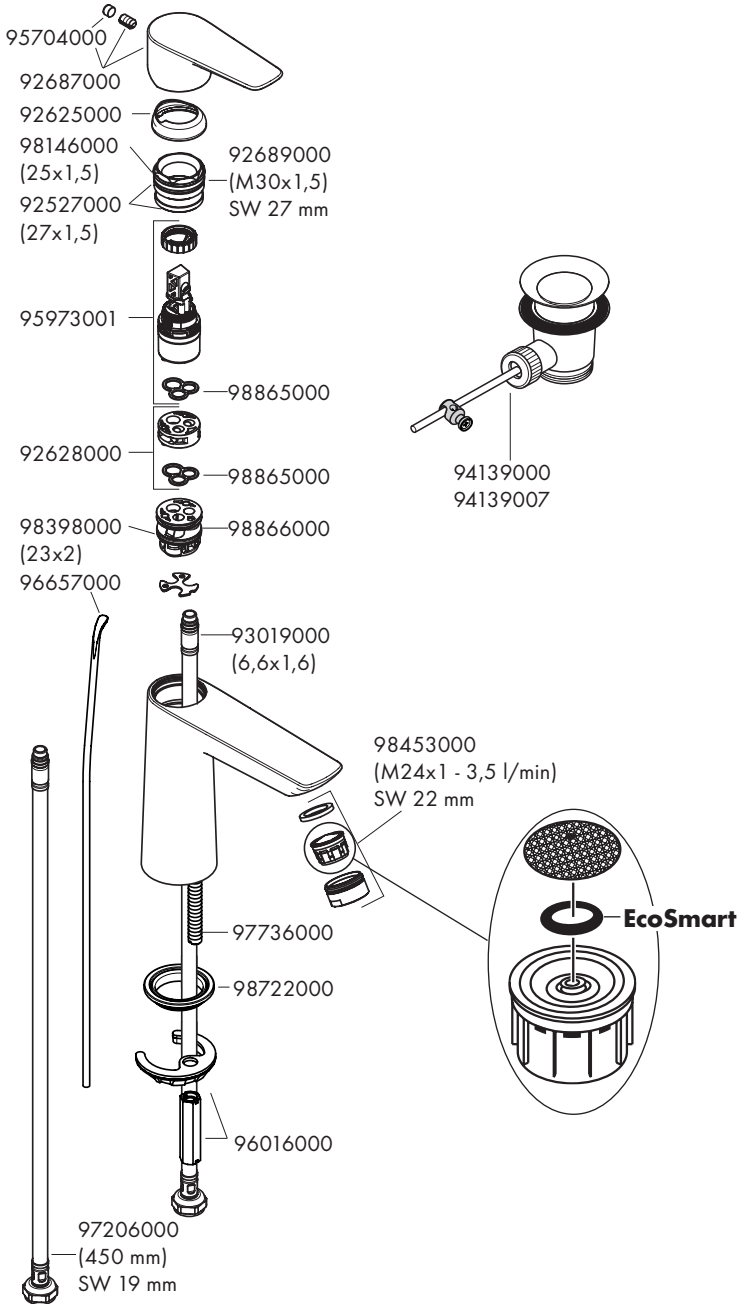
13185XXX
(M24x1 - 5 l/min)
SW 22 mm





Talis E 110

71715000





Talis E 80

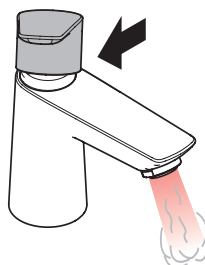
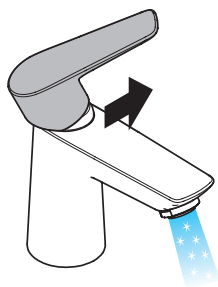
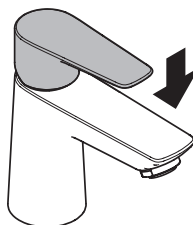
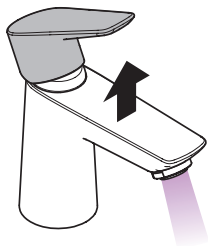
71700XXX / 71701000 / 71702XXX / 71705000 / 71782000 / 71785000

Talis E

71720XXX / 71721000

Talis E 110

71710XXX / 71711XXX / 71712XXX / 71715000 / 71783000 / 71784XXX / 71786XXX





Talis E 80 CoolStart

71703000 / 71704000 / 71738000

Talis E 110 CoolStart

71713XXX / 71714XXX / 71739000

