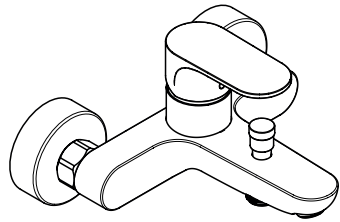


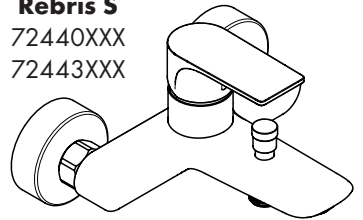
Instructions for use / Assembly instructions



Rebris S

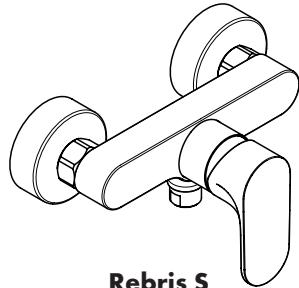
72440XXX

72443XXX



Rebris E

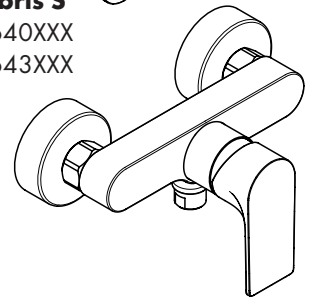
72450XXX



Rebris S

72640XXX

72643XXX



Rebris E

72650XXX



Safety Notes

- ⚠ Gloves should be worn during installation to prevent crushing and cutting injuries.
- ⚠ The product may only be used for bathing, hygienic and body cleaning purposes.
- ⚠ The hot and cold supplies must be of equal pressures.

Installation Instructions

- Prior to installation, inspect the product for transport damages. After it has been installed, no transport or surface damage will be honoured.
- The pipes and the fixture must be installed, flushed and tested as per the applicable standards.
- The plumbing codes applicable in the respective countries must be observed.
- The diverter (type HC) installed in the bath mixer is designed as an anti-retraction device. For this reason, the lower edge of the diverter must be at least 25 mm above the highest possible dirty water level.

Technical Data

Operating pressure: max. 1 MPa
 Recommended operating pressure: 0,1 - 0,5 MPa
 Test pressure: 1,6 MPa
 (1 MPa = 10 bar = 147 PSI)

Hot water temperature: max. 60 °C
 Thermal disinfection: 70 °C / 4 min

- Safety against backflow
- The product is exclusively designed for drinking water!

Symbol description



Do not use silicone containing acetic acid!



Adjustment (see page 38)

To adjust the hot water limiter. Using a hot water limiter in combination with a continuous flow water heater is not recommended.



Maintenance (see page 42)

The check valves must be checked regularly according to EN 806-5 in accordance with national or regional regulations (at least once a year).



Dimensions (see page 40)



Flow diagram (see page 42)



Spare parts (see page 43)

XXX = Colors
 000 = Chrome Plated
 670 = Matt Black



Cleaning (see page 39)



Operation (see page 35)



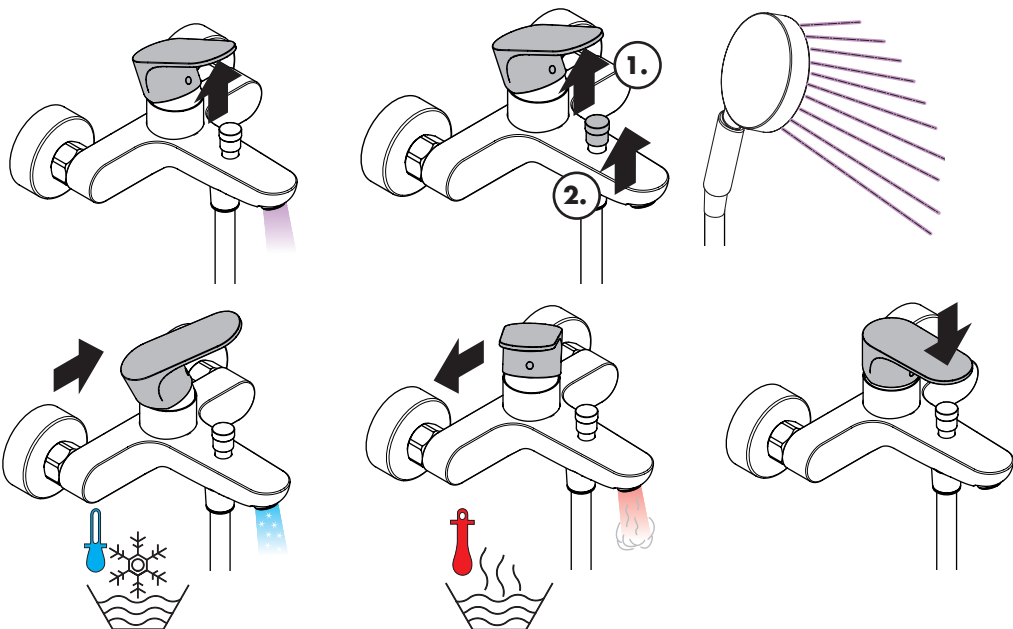
Test certificate (see page 44)

Fault	Cause	Remedy
Insufficient water	- check valve hasn't moved back	- Exchange check valves
	- Shower filter seal dirty	- Clean filter seal between shower and hose
Mixer stiff	- Cartridge defective, calcified	- Exchange cartridge
Mixer dripping	- Cartridge defective Thermostat has not been adjusted	- Exchange cartridge
Hot water temperature too low	- Hot water limiter incorrectly set	- Set hot water limiter
Instantaneous heater didn't work	- Flow limiter in handshower isn't removed	- Remove flow limiter
	- Shower filter seal dirty	- Clean filter seal between shower and hose
	- check valve hasn't moved back	- Exchange check valves

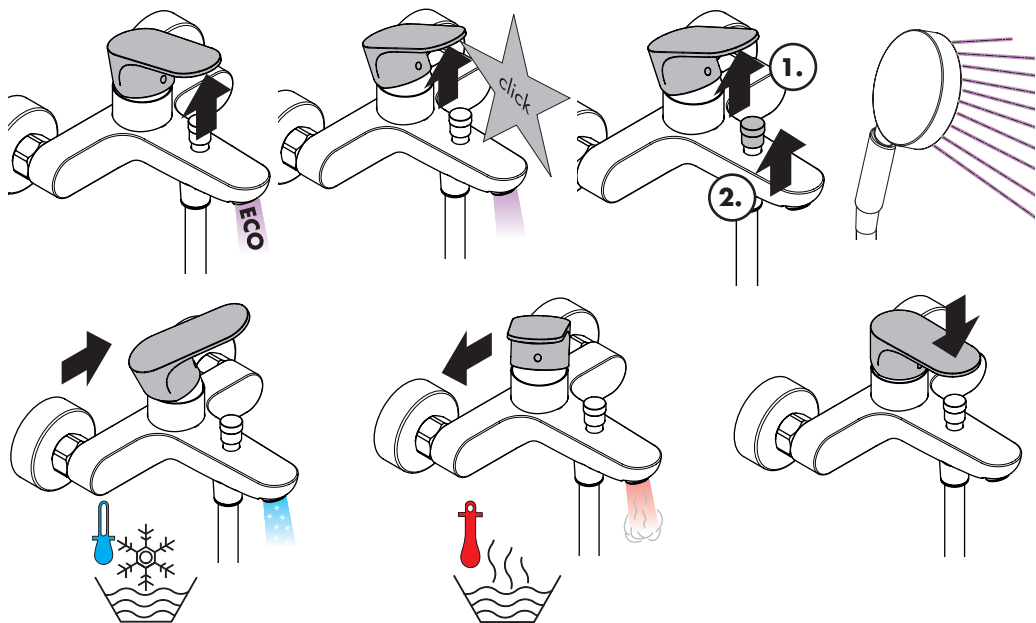


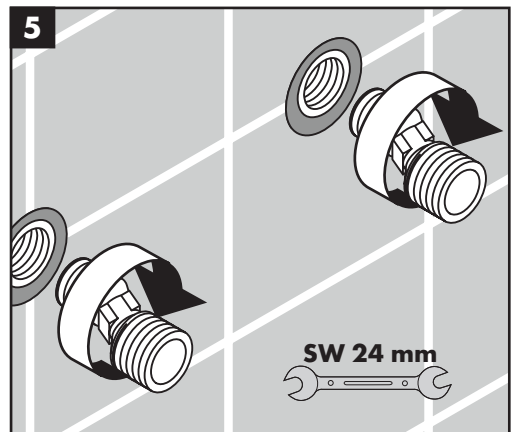
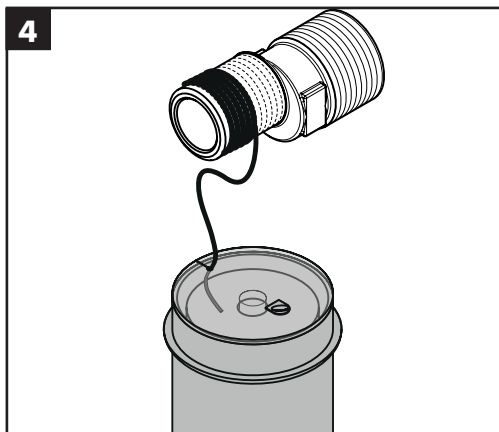
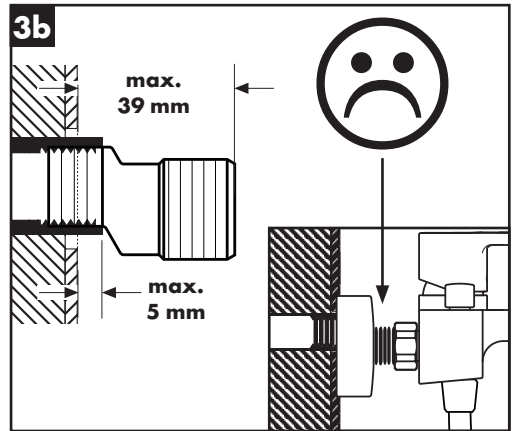
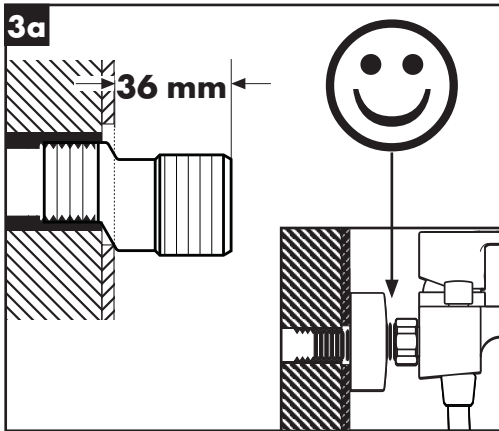
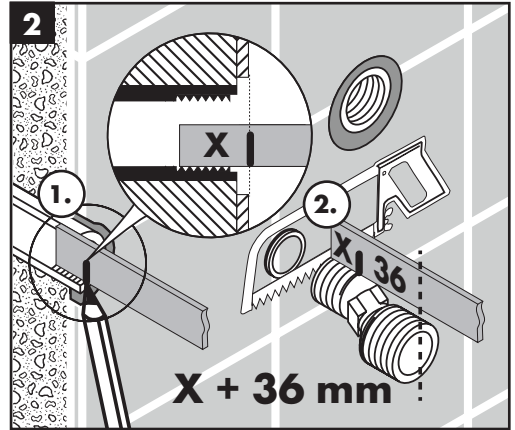
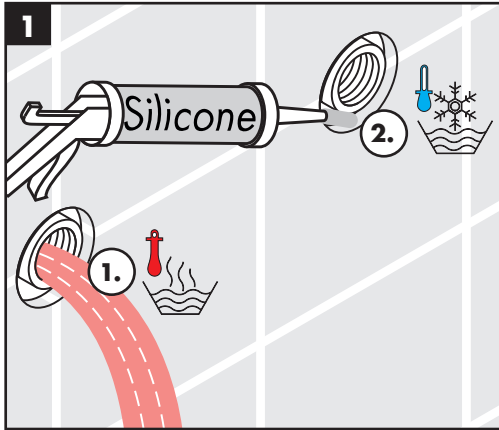


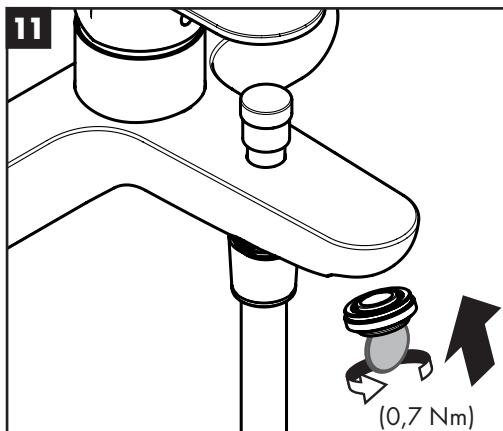
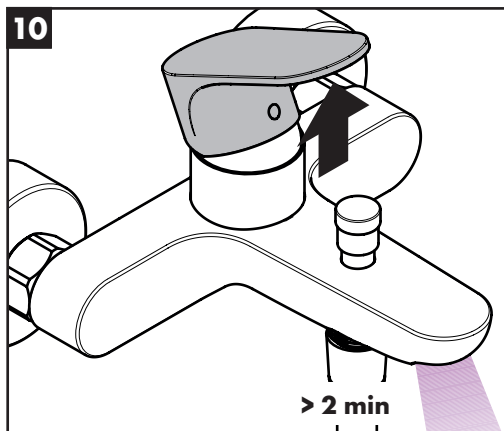
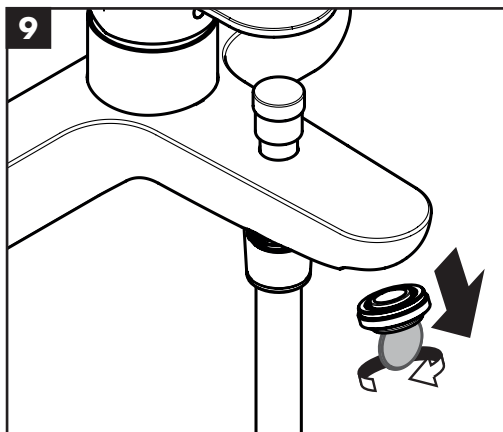
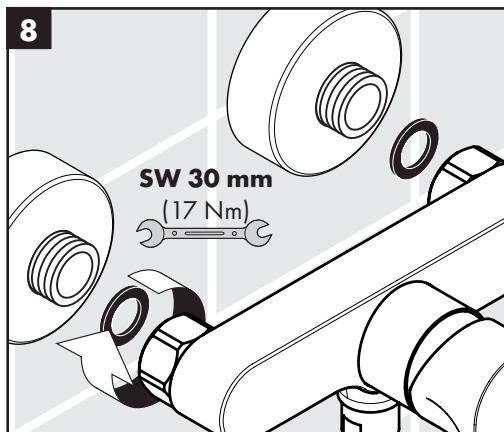
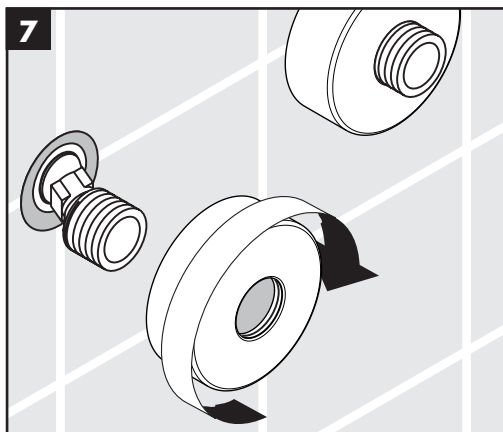
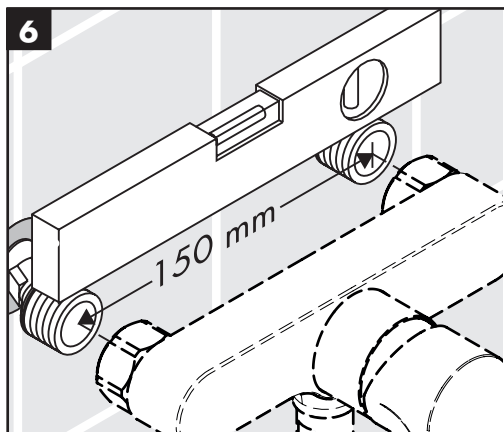
Rebris S 72440XXX / Rebris E 72450XXX / Rebris S 72640XXX / Rebris E 72650XXX

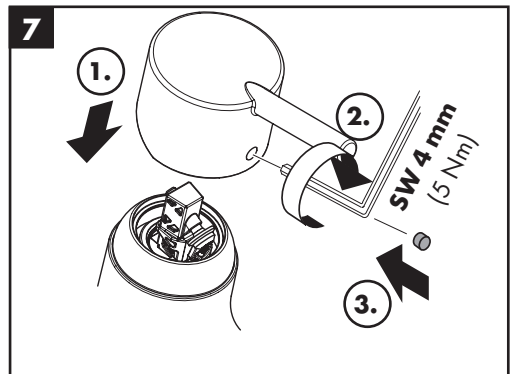
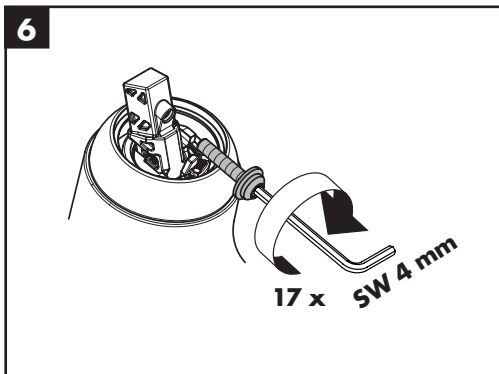
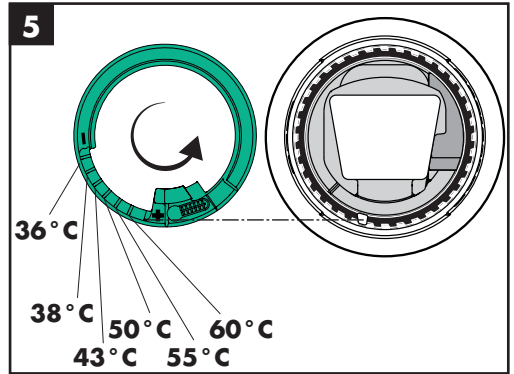
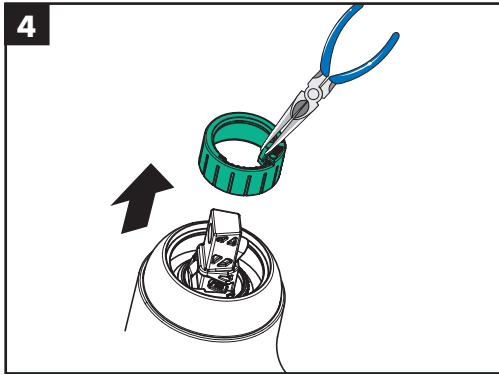
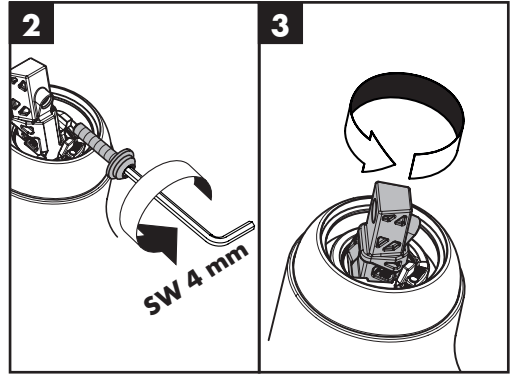
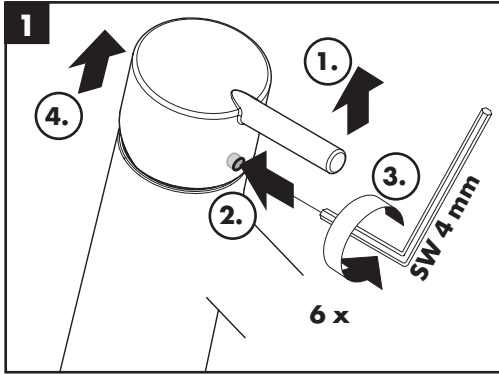


Rebris S 72443XXX / Rebris E 72643XXX



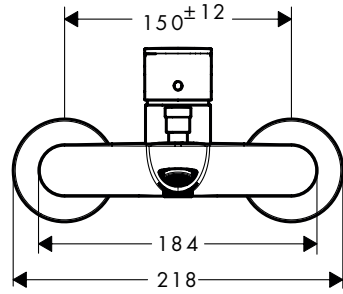
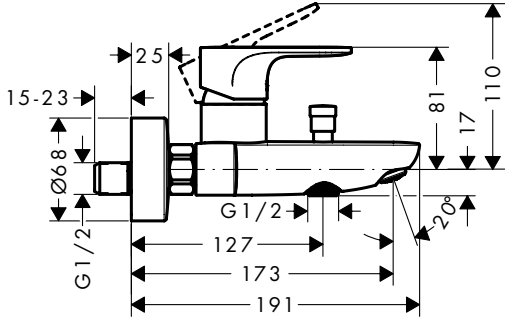




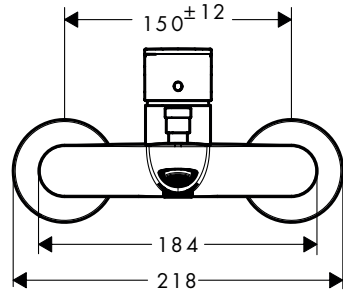
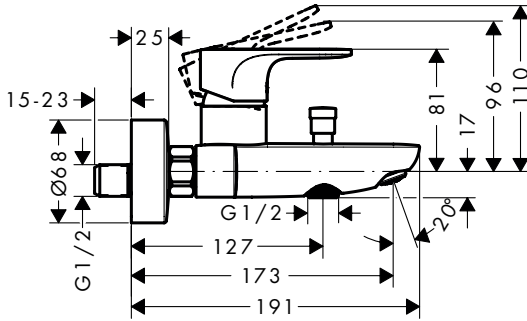




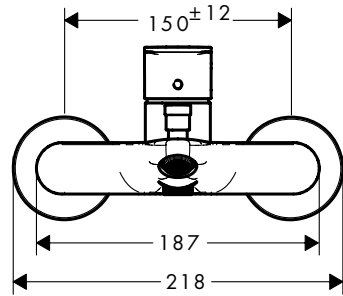
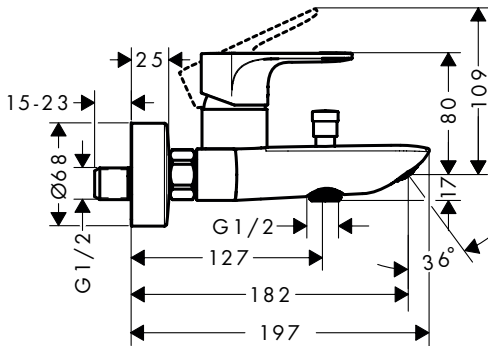
Rebris S 72440XXX



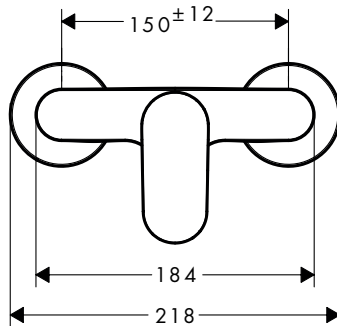
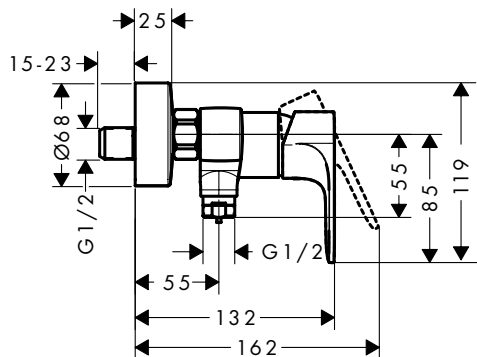
Rebris S 72443XXX



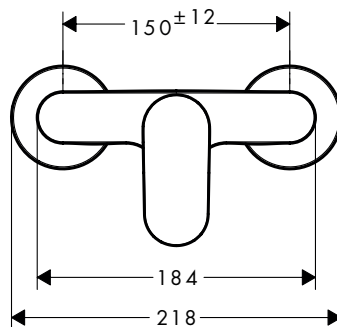
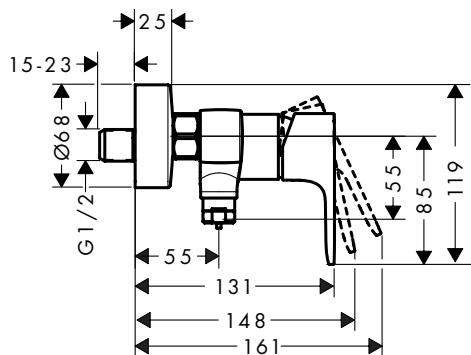
Rebris E 72450XXX



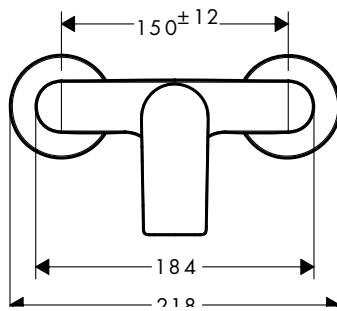
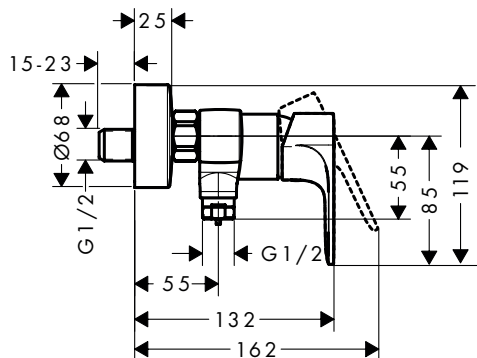
Rebris S 72640XXX



Rebris S 72643XXX

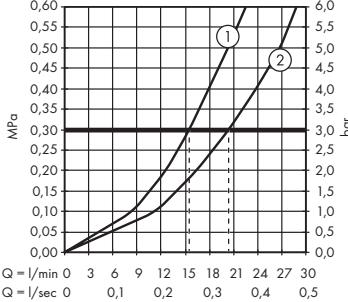
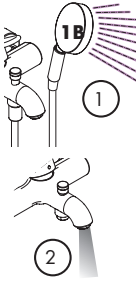


Rebris E 72650XX

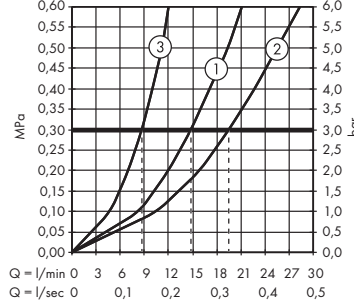
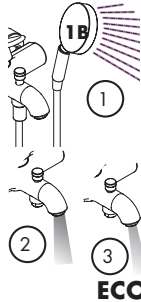




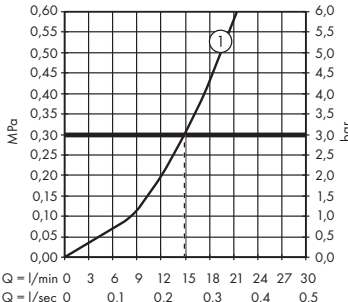
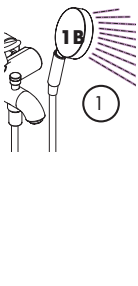
Rebris S 72440XXX / Rebris E 72450XXX



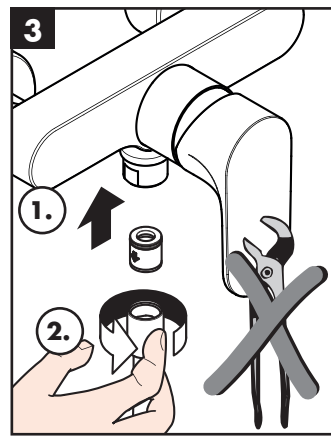
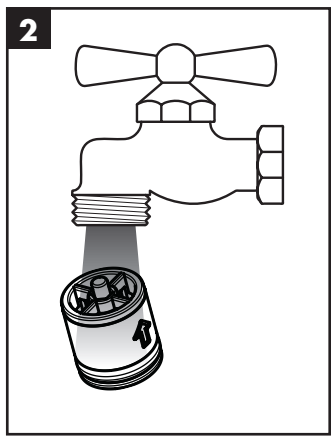
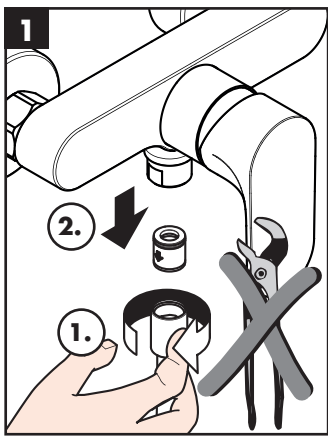
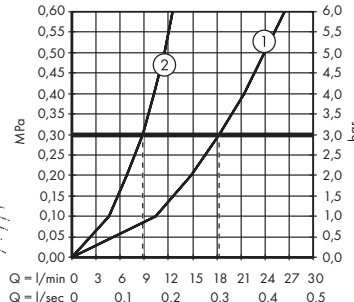
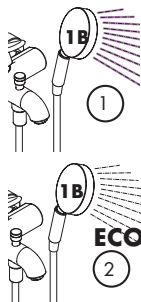
Rebris S 72443XXX



Rebris S 72640XXX / Rebris E 72650XXX

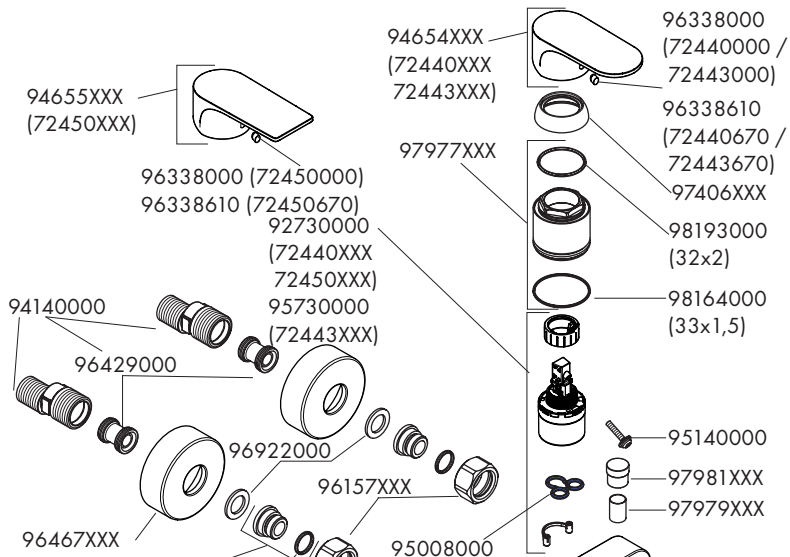


Rebris E 72643XXX

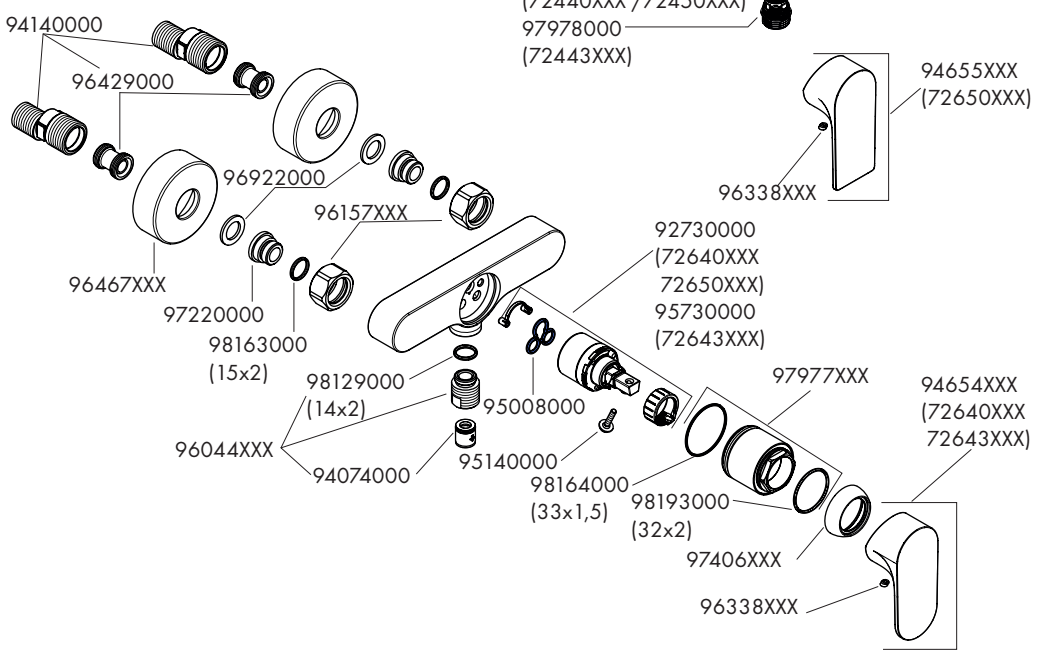




Rebris S
72440XXX
72443XXX
Rebris E
72450XXX



Rebris S
72640XXX
72643XXX
Rebris E
72650XXX





P-IX

DVGW SINTEF NF



ETA



72440XXX

DN0342

72443XXX

72450XXX

72640XXX PA-IX 38259/IO DN0342

72643XXX PA-IX 38333/IIB

72650XXX PA-IX 38259/IO DN0342

