

Rebris S 80

72510000
72540XXX

Rebris S 80

CoolStart

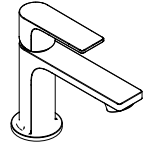
72513XXX
72514000
72584XXX

Rebris S 80

CoolStart

EcoSmart

72586XXX



Rebris E 80

72543XXX
72550000

Rebris E 80

CoolStart

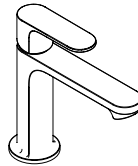
72553XXX
72554XXX
72585XXX

Rebris E 80

CoolStart

EcoSmart

72587XXX



Rebris S 110

72517XXX
72541XXX

Rebris S 110

CoolStart

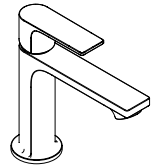
72519XXX
72520XXX
72527XXX

Rebris S 110

CoolStart

EcoSmart

72588XXX



Rebris E 110

72544XXX
72557XXX

Rebris E 110

CoolStart

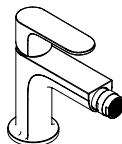
72559XXX
72560XXX
72551XXX

Rebris E 110

CoolStart

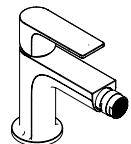
EcoSmart

72589XXX



Rebris S

72210XXX
72212XXX



Rebris E

72211XXX
72213XXX



Safety Notes

- △ Gloves should be worn during installation to prevent crushing and cutting injuries.
- △ The product may only be used for bathing, hygienic and body cleaning purposes.
- △ The hot and cold supplies must be of equal pressures.

Installation Instructions

- Prior to installation, inspect the product for transport damages. After it has been installed, no transport or surface damage will be honoured.
- The pipes and the fixture must be installed, flushed and tested as per the applicable standards.
- The plumbing codes applicable in the respective countries must be observed.
- The drain valve must only be used as intended. It is not allowed to attach other objects to the drain valve, for example a semi-pedestal.
- If the instantaneous water heater causes problems or if you wish to increase the water flow, the EcoSmart® (flow limiter) located behind the aerator can be removed.

Technical Data

This mixer series-produced with EcoSmart® (flow limiter)

Operating pressure:	max. 1 MPa
Recommended operating pressure:	0,1 - 0,5 MPa
Test pressure:	1,6 MPa
	(1 MPa = 10 bar = 147 PSI)
Hot water temperature:	max. 60 °C
Thermal disinfection:	70 °C / 4 min

The product is exclusively designed for drinking water!

Symbol description



Do not use silicone containing acetic acid!



Adjustment (see page 35)

To adjust the hot water limiter. Using a hot water limiter in combination with a continuous flow water heater is not recommended.



Dimensions (see page 36)



Flow diagram (see page 37)



Spare parts (see page 40)

- XXX = Colors
- 000 = Chrome Plated
- 670 = Matt Black

Special accessories (order as an extra)



- special tool #58085000 (see page 33)



- Installation putty (see page 34)



- seal #98996000 (see page 33)



Cleaning (see page 38)

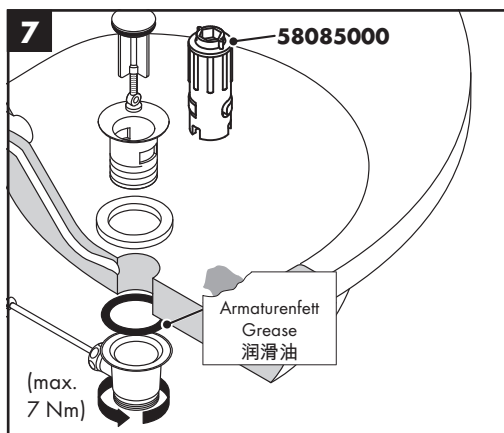
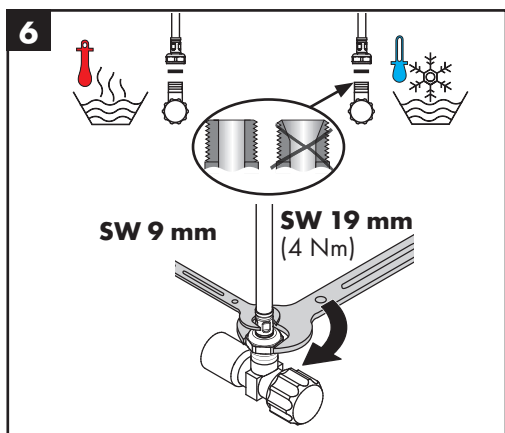
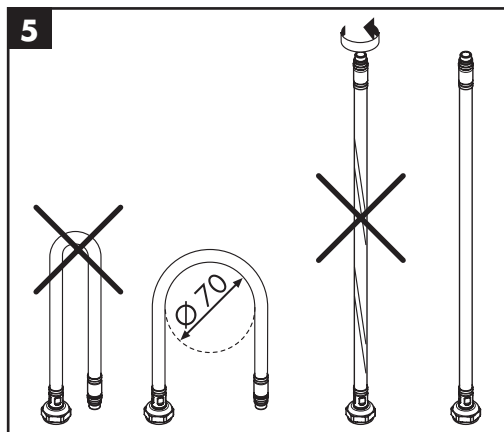
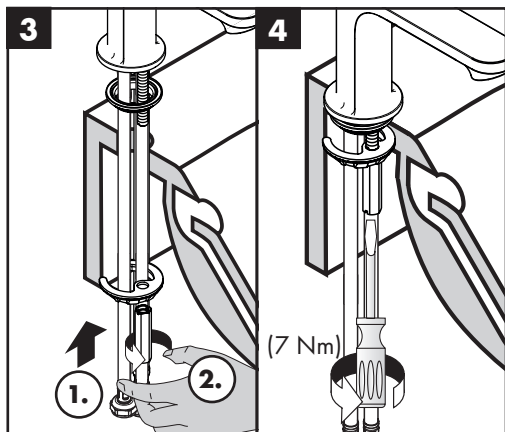
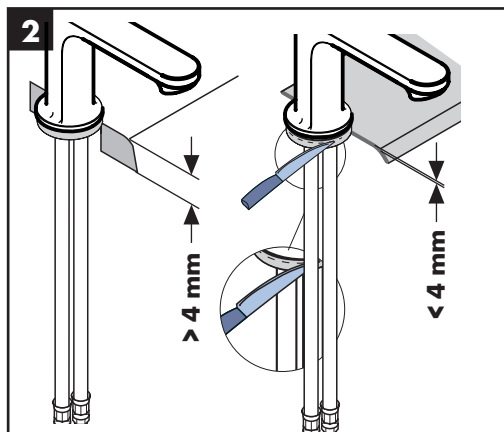
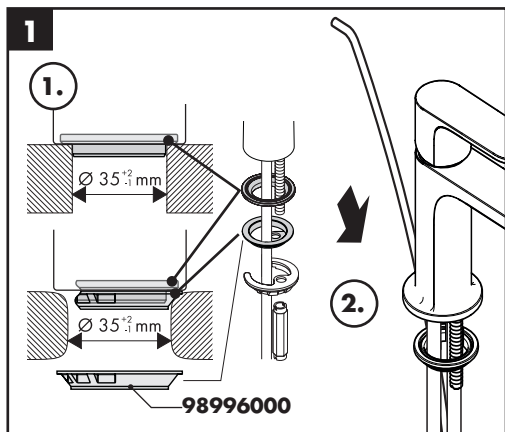


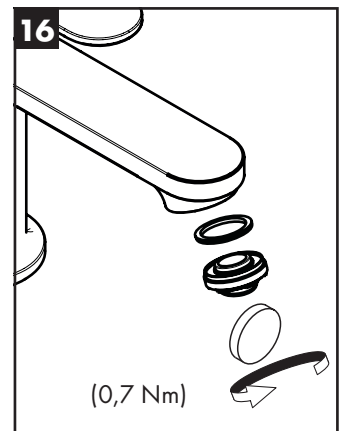
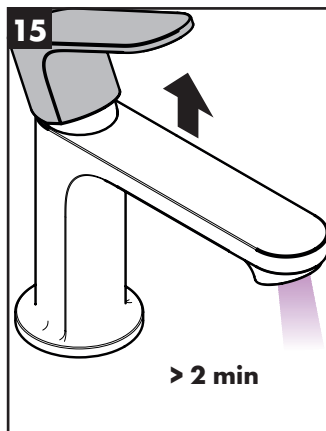
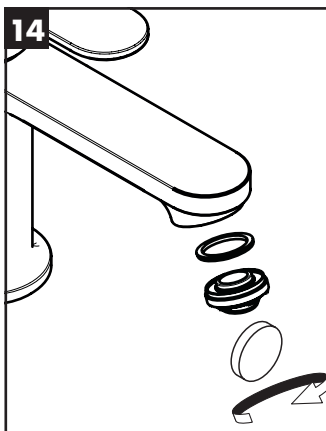
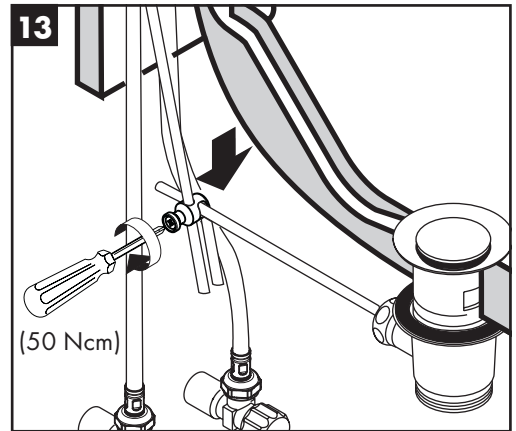
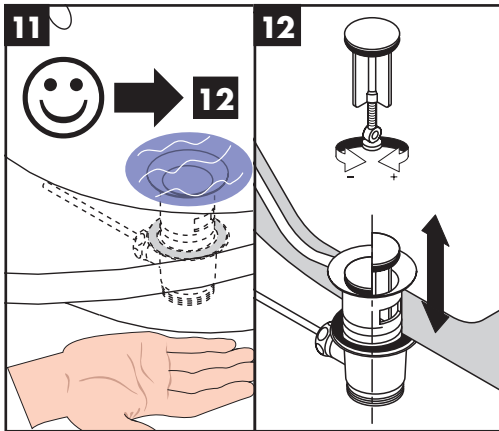
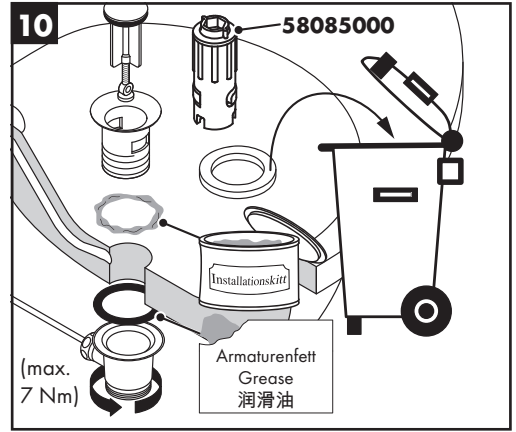
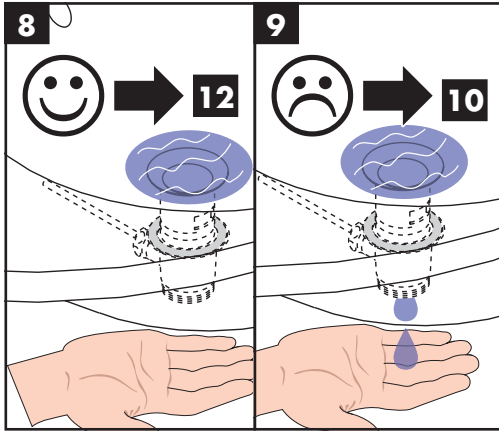
Operation (see page 39)

- Hansgrohe recommends not to use as drinking water the first half liter of water drawn in the morning or after a prolonged period of non-use.
- After periods of prolonged non-use, but at least every third day, the fittings must be opened with the handle in hot and cold position to prevent stagnation in the connecting lines. Let the water run until the water temperature is constant.



Test certificate (see page 44)







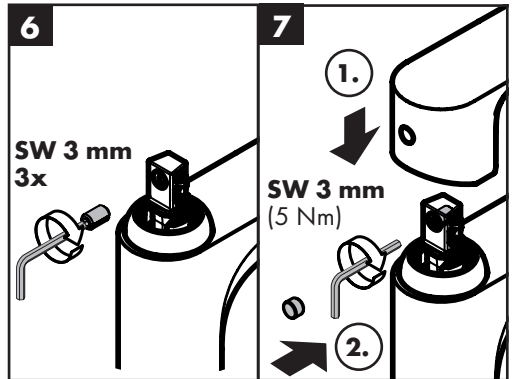
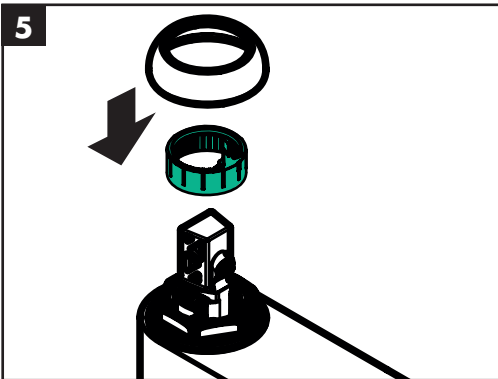
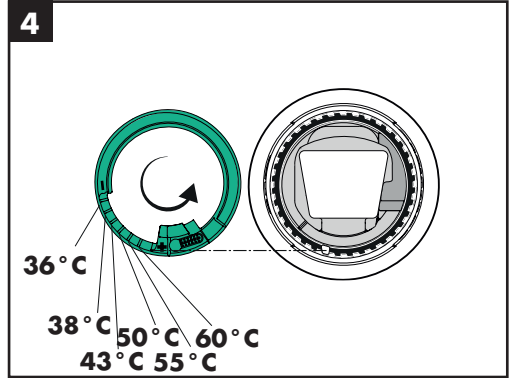
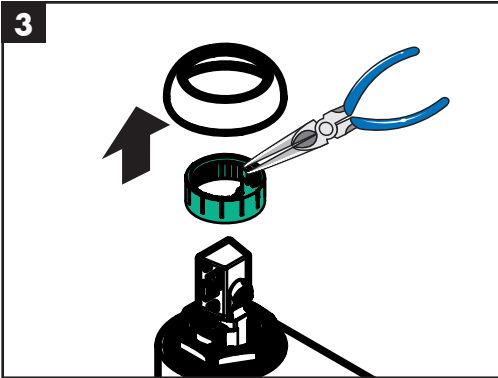
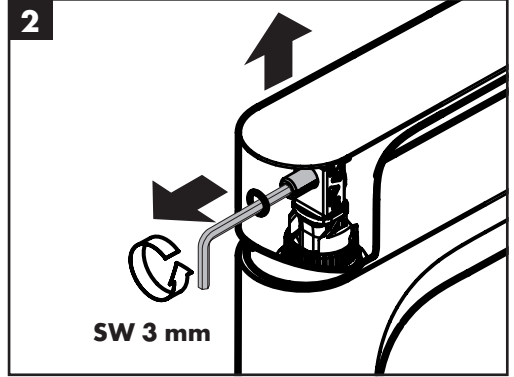
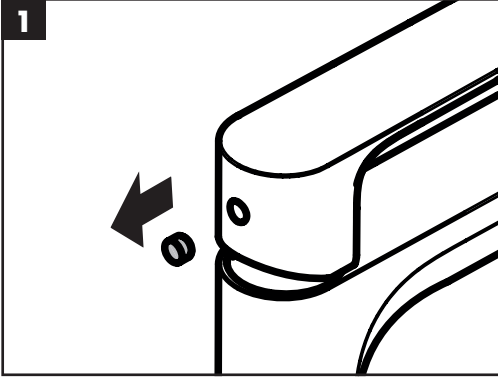
60 °C



10 °C



0,3 MPa
0,3 МПа
0,3 میجابیسکال





Rebris S 80

72510000

72540XXX

Rebris E 80

72543XXX

72550000

Rebris S 80

CoolStart

72513XXX

72514000

72584XXX

Rebris S 80

CoolStart

EcoSmart

72586XXX

Rebris E 80

CoolStart

72553XXX

72554XXX

72585XXX

Rebris E 80

CoolStart

EcoSmart

72587XXX

Rebris S 110

72517XXX

72541XXX

Rebris E 110

72544XXX

72557XXX

Rebris S 110

CoolStart

72519XXX

72520XXX

72527XXX

Rebris S 110

CoolStart

EcoSmart

72588XXX

Rebris E 110

CoolStart

72551XXX

72559XXX

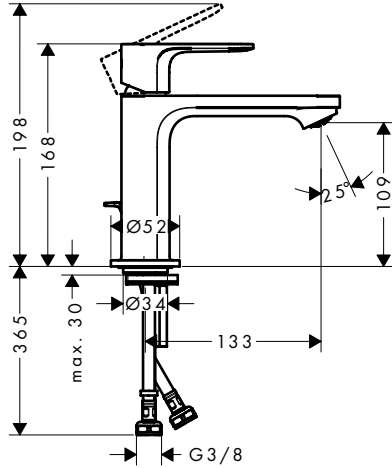
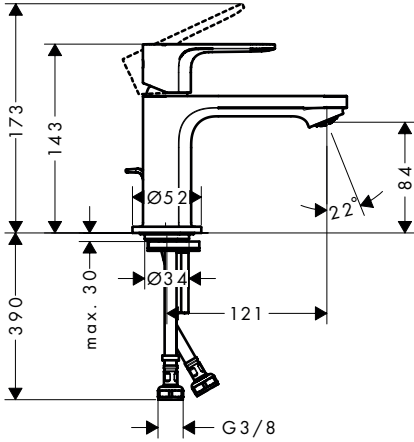
72560XXX

Rebris E 110

CoolStart

EcoSmart

72589XXX



Rebris S

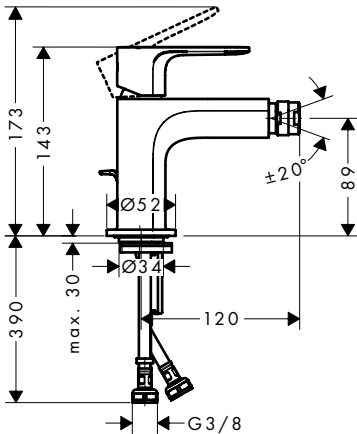
72210XXX

72212XXX

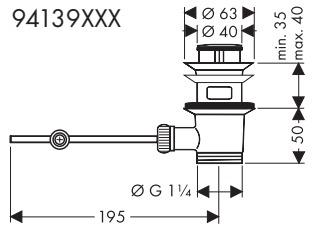
Rebris E

72211XXX

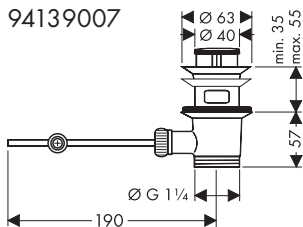
72213XXX



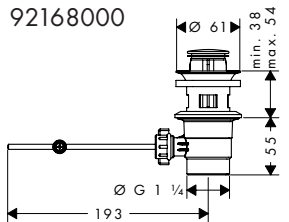
94139XXX

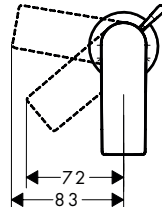
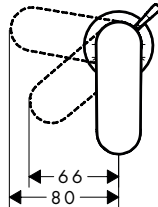
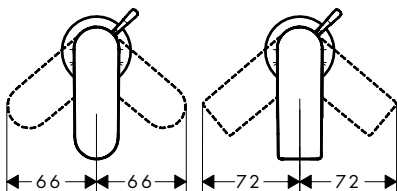


94139007



92168000



**Rebris S 80**72510000
72540XXX**Rebris S 110**72517XXX
72541XXX**Rebris S**72210XXX
72212XXX**Rebris E 80**72543XXX
72550000**Rebris E 110**72544XXX
72557XXX**Rebris E**72211XXX
72213XXX**Rebris S 80****CoolStart**
72513XXX72514000
72584XXX**Rebris S 110****CoolStart**
72519XXX
72520XXX
72527XXX**Rebris S 80****CoolStart**
EcoSmart72586XXX
Rebris S 110**CoolStart****EcoSmart**
72588XXX**Rebris E 80****CoolStart**
72553XXX72554XXX
72585XXX**Rebris E 110****CoolStart**
72559XXX
72560XXX
72551XXX**Rebris E 80****CoolStart**
EcoSmart72587XXX
Rebris E 110**CoolStart****EcoSmart**
72589XXX**Rebris S 80**

72510000 / 72540XXX

Rebris S 110

72517XXX / 72541XXX

Rebris S

72210XXX / 72212XXX

Rebris S 80 CoolStart72513XXX / 72514000 /
72584XXX**Rebris S 110 CoolStart**72519XXX / 72520XXX /
72527XXX**Rebris E 80**

72543XXX / 72550000

Rebris E 110

72544XXX / 72557XXX

Rebris E

72211XXX / 72213XXX

Rebris E 80 CoolStart72553XXX / 72554XXX /
72585XXX**Rebris E 110 CoolStart**72559XXX / 72560XXX /
72551XXX**Rebris S 80 CoolStart EcoSmart**

72586XXX

Rebris S 110 CoolStart EcoSmart

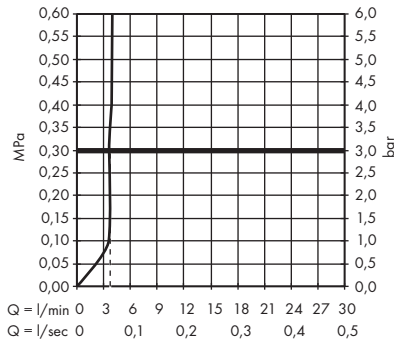
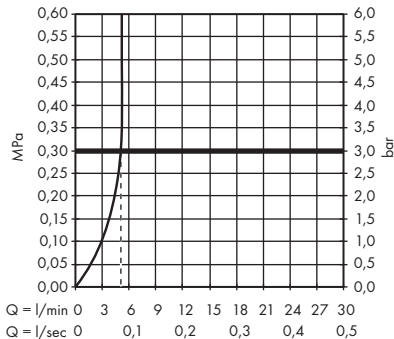
72588XXX

Rebris E 80 CoolStart EcoSmart

72587XXX

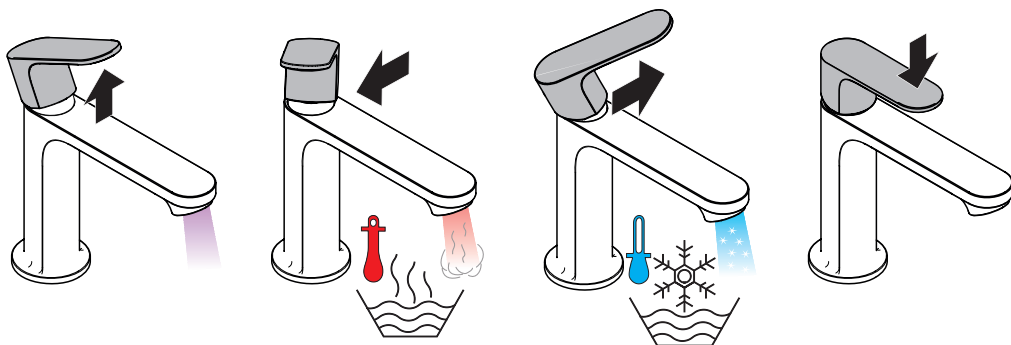
Rebris E 110 CoolStart EcoSmart

72589XXX

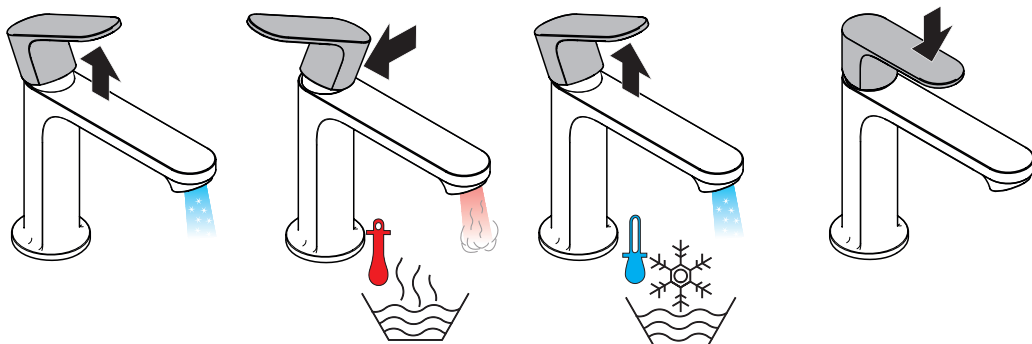




Rebris S 80 72510000 / 72540XXX **Rebris S 110** 72517XXX / 72541XXX
Rebris S 72210XXX / 72212XXX **Rebris E 80** 72543XXX / 72550000
Rebris E 110 72544XXX / 72557XXX **Rebris E** 72211XXX / 72213XXX



Rebris S 80 CoolStart 72513XXX / 72514000 / 72584XXX
Rebris S 80 CoolStart EcoSmart 72586XXX
Rebris S 110 CoolStart 72519XXX / 72520XXX / 72527XXX
Rebris S 110 CoolStart EcoSmart 72588XXX
Rebris E 80 CoolStart 72553XXX / 72554XXX / 72585XXX
Rebris E 80 CoolStart EcoSmart 72587XXX
Rebris E 110 CoolStart 72559XXX / 72560XXX / 72551XXX
Rebris E 110 CoolStart EcoSmart 72589XXX





Rebris S 80

72510000 / 72540XXX

Rebris E 80

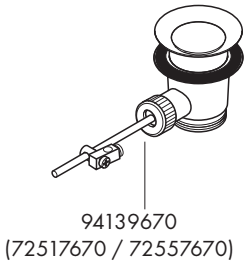
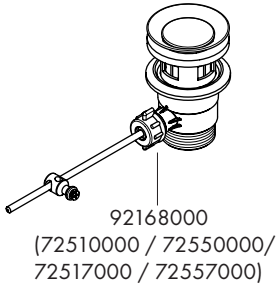
72543XXX / 72550000

Rebris S 110

72517XXX / 72541XXX

Rebris E 110

72544XXX / 72557XXX



93019000
(6,6x1,6)

97206000
(450 mm
SW 19 mm

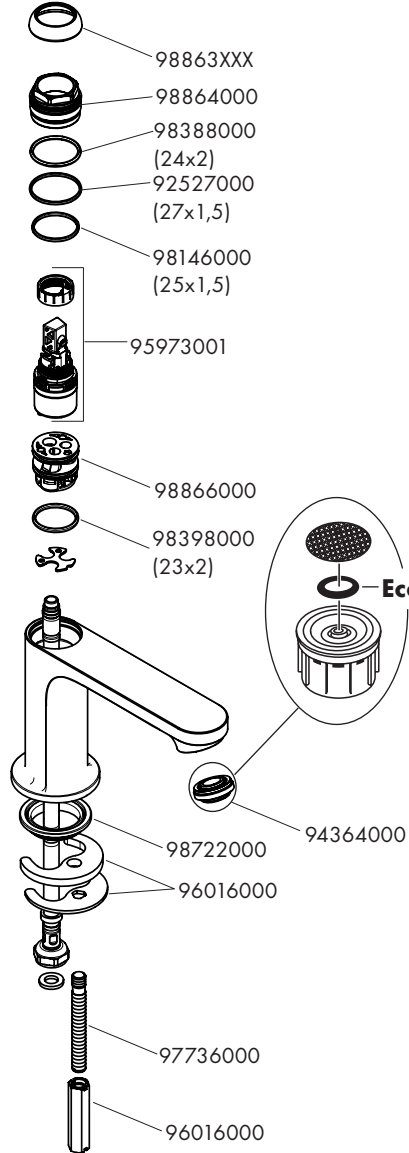
(14,3x8x2)

96657XXX

96029000 94642XXX 94643XXX

95704000
(72XXX000)

95704610
(72XXX670)





Rebris S 80 CoolStart

72513XXX / 72514000 / 72584XXX

Rebris S 110 CoolStart

72519XXX / 72520XXX / 72527XXX

Rebris E 80 CoolStart

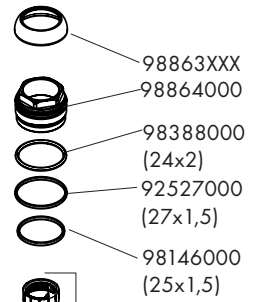
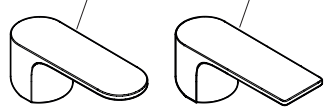
72553XXX / 72554XXX / 72585XXX

Rebris E 110 CoolStart

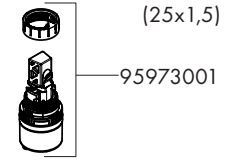
72559XXX / 72560XXX / 72551XXX

96029000 94644XXX 94645XXX

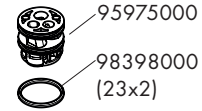
95704000
(72XXX000)
95704610
(72XXX670)



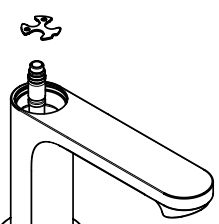
98863XXX
98864000
98388000
(24x2)
92527000
(27x1,5)
98146000
(25x1,5)



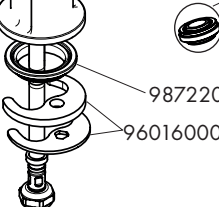
95973001



95975000
98398000
(23x2)



93019000
(6,6x1,6)



98722000
96016000

94364000
(5 l/min)



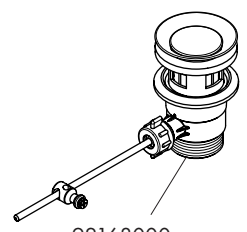
EcoSmart®

97736000
96016000

96657XXX

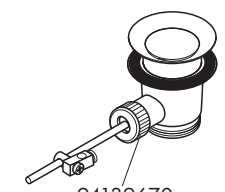
97206000
(450 mm)
SW 19 mm

(14,3x8x2)



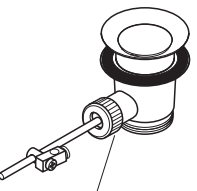
92168000

(72513000 / 72519000 / 72553000 / 72559000)



94139670

(72513670 / 72519670 / 72553670 / 72559670 / 72527670 / 72551670)



94139XXX / 94139007
(72584XXX / 72585XXX / 72527000 / 72551000)

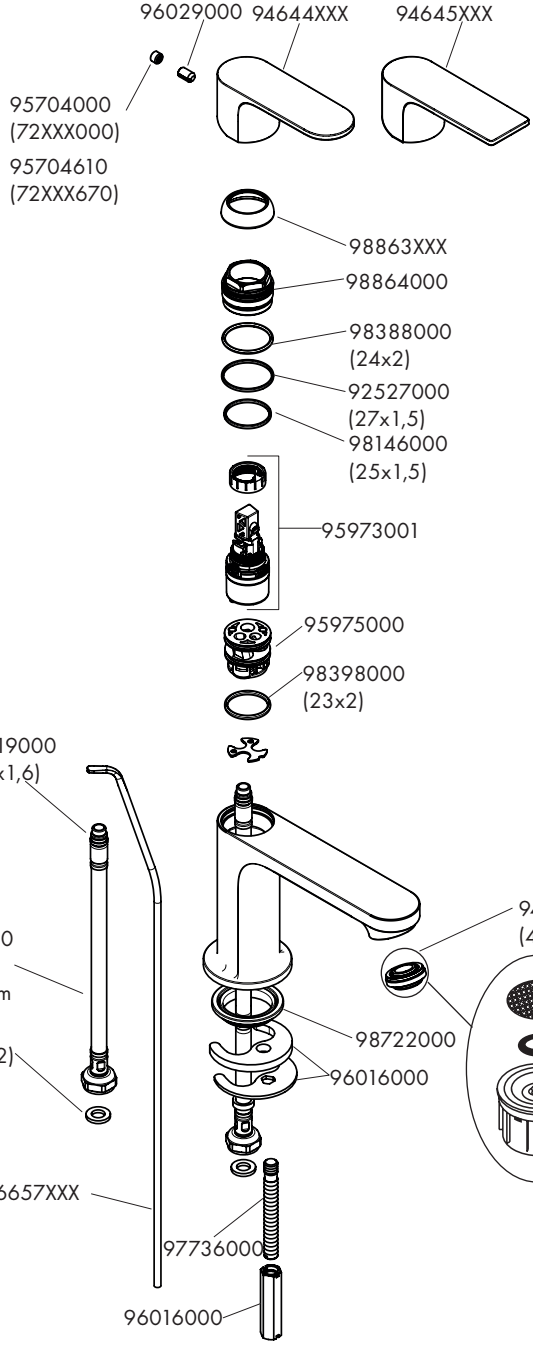
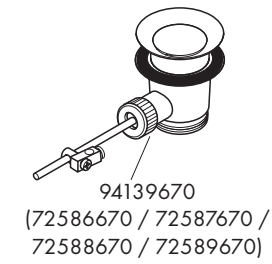
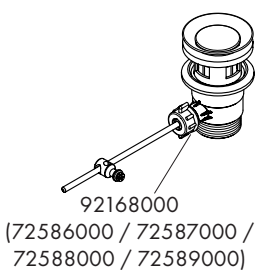


Rebris S 80
CoolStart EcoSmart
 72586XXX

Rebris E 80
CoolStart EcoSmart
 72587XXX

Rebris S 110
CoolStart EcoSmart
 72588XXX

Rebris E 110
CoolStart EcoSmart
 72589XXX

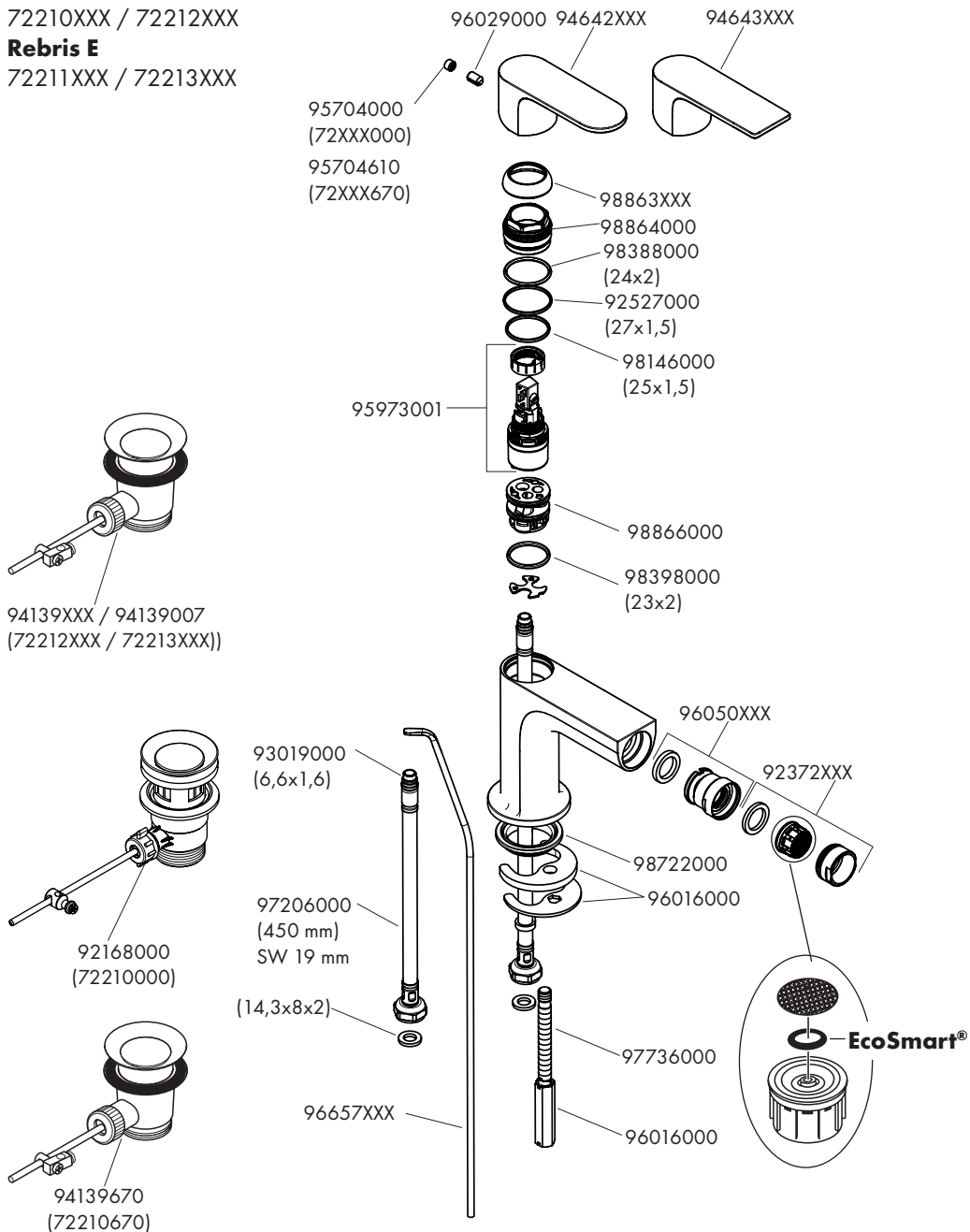


Rebris S

72210XXX / 72212XXX

Rebris E

72211XXX / 72213XXX





P-IX DVGW SINTEF NF 

72210XXX PA-IX 38262/IO

72211XXX PA-IX 38262/IO

72212XXX PA-IX 38262/IO

72213XXX PA-IX 38262/IO

72510000 PA-IX 38264/IO

72513XXX PA-IX 38265/IO

72514000 PA-IX 38265/IO

72517XXX PA-IX 38264/IO

72519XXX PA-IX 38265/IO

72520XXX PA-IX 38265/IO

72527XXX

72540XXX PA-IX 38264/IO

72541XXX PA-IX 38264/IO

72543XXX PA-IX 38264/IO

72544XXX PA-IX 38264/IO

72550000 PA-IX 38264/IO

72551XXX

72553XXX PA-IX 38265/IO

72554XXX PA-IX 38265/IO

72557XXX PA-IX 38264/IO

72559XXX PA-IX 38265/IO

72560XXX PA-IX 38265/IO

72584XXX PA-IX 38265/IO

72585XXX PA-IX 38265/IO

72586XXX PA-IX 38265/IO

72587XXX PA-IX 38265/IO

72588XXX PA-IX 38265/IO

72589XXX PA-IX 38265/IO

